



US00D343741S

# United States Patent [19]

Kato et al.

[11] Patent Number: **Des. 343,741**

[45] Date of Patent: **\*\* Feb. 1, 1994**

[54] **CHAIR**

[76] Inventors: **Reiko Kato**, 242 E. 19th St. Apt. 8H, New York, N.Y. 10003; **Richard H. Perney**, 55 W. 16th St., New York, N.Y. 10011

[\*\*] Term: **14 Years**

[21] Appl. No.: **800,382**

[22] Filed: **Nov. 26, 1991**

[52] U.S. Cl. .... **D6/380; D6/374**

[58] Field of Search ..... **D6/334, 363, 370, 371, D6/372, 373, 374, 375, 376, 379, 380, 500, 501, 502; 297/445, 446, 447, 460**

[56] **References Cited**

**U.S. PATENT DOCUMENTS**

- D. 171,176 12/1953 Yellen ..... D6/375
- D. 171,265 1/1954 Phillips ..... D6/375
- D. 172,068 4/1954 Derbeken ..... D6/374
- D. 177,886 5/1956 Thaden ..... D6/375

- D. 183,743 10/1958 Howell, Jr. .... D6/334
- D. 192,800 5/1962 Munson ..... D6/374
- D. 256,857 9/1980 Tallon ..... D6/374
- D. 292,048 9/1987 Shaffer ..... D6/363
- D. 299,293 1/1989 Nelson ..... D6/372
- D. 320,894 10/1991 Pons ..... D6/370
- 2,821,245 1/1958 Meneghelli ..... D6/334 X

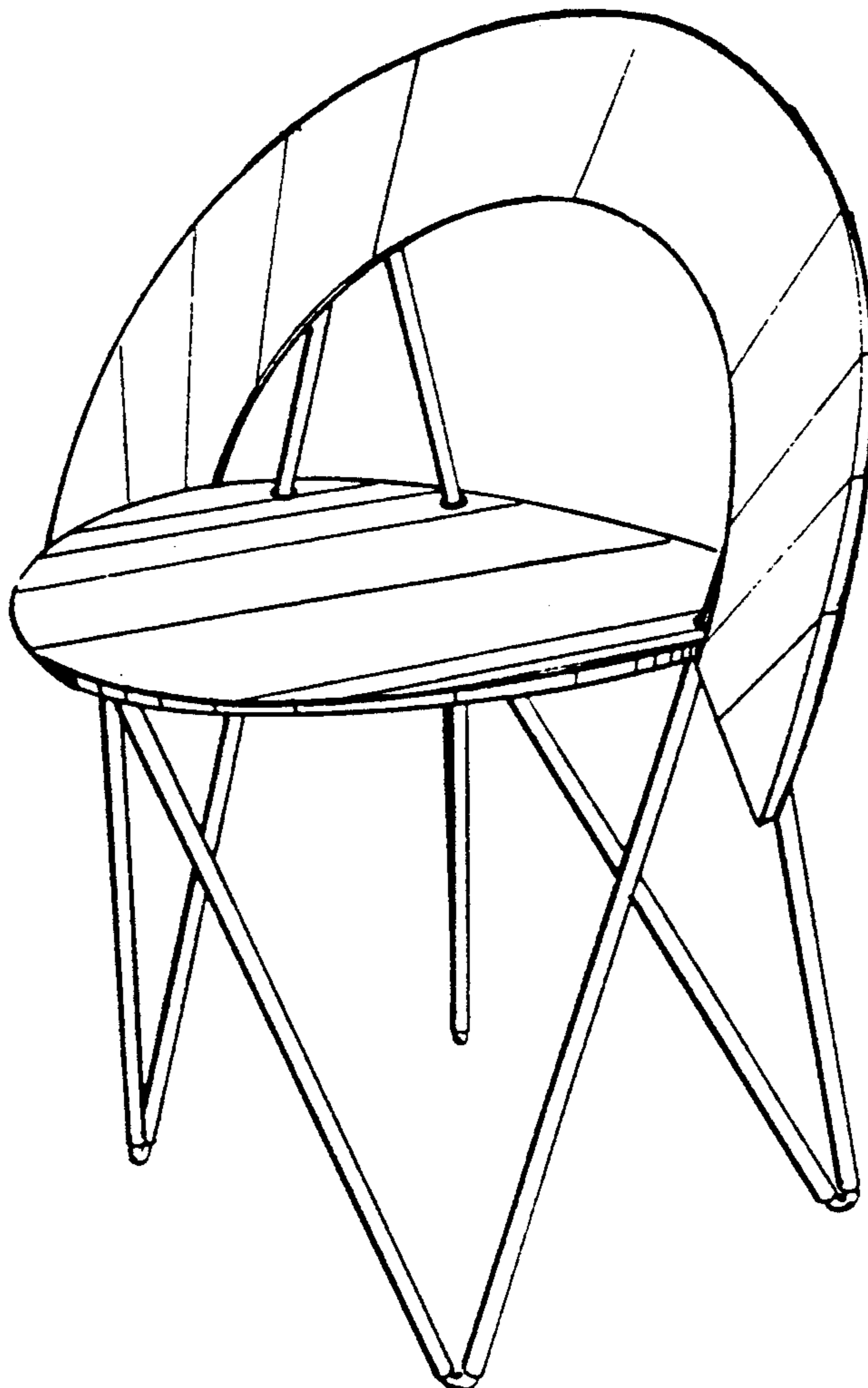
*Primary Examiner*—Alan P. Douglas  
*Assistant Examiner*—Gary D. Watson

[57] **CLAIM**

The ornamental design for a chair, as shown and described.

**DESCRIPTION**

FIG. 1 is a perspective view of a chair of the present invention;  
FIG. 2 is a front plan view of the chair of FIG. 1;  
FIG. 3 is a level side plan view of the chair of FIG. 1;  
FIG. 4 is a top plan view of the chair of FIG. 1;  
FIG. 5 is a bottom plan view of the chair of FIG. 1; and,  
FIG. 6 is a rear plan view of the chair of FIG. 1.



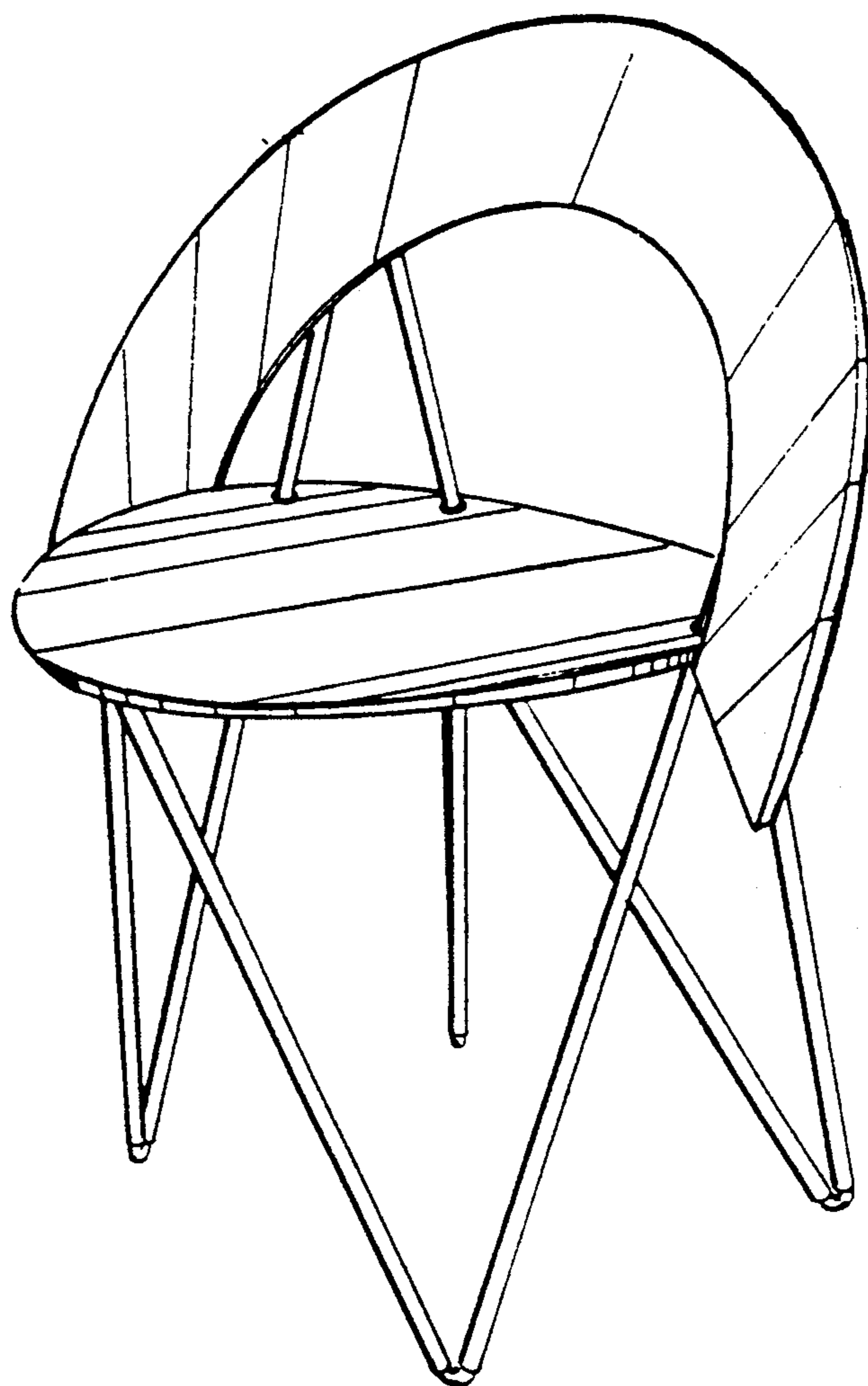


FIG. 1

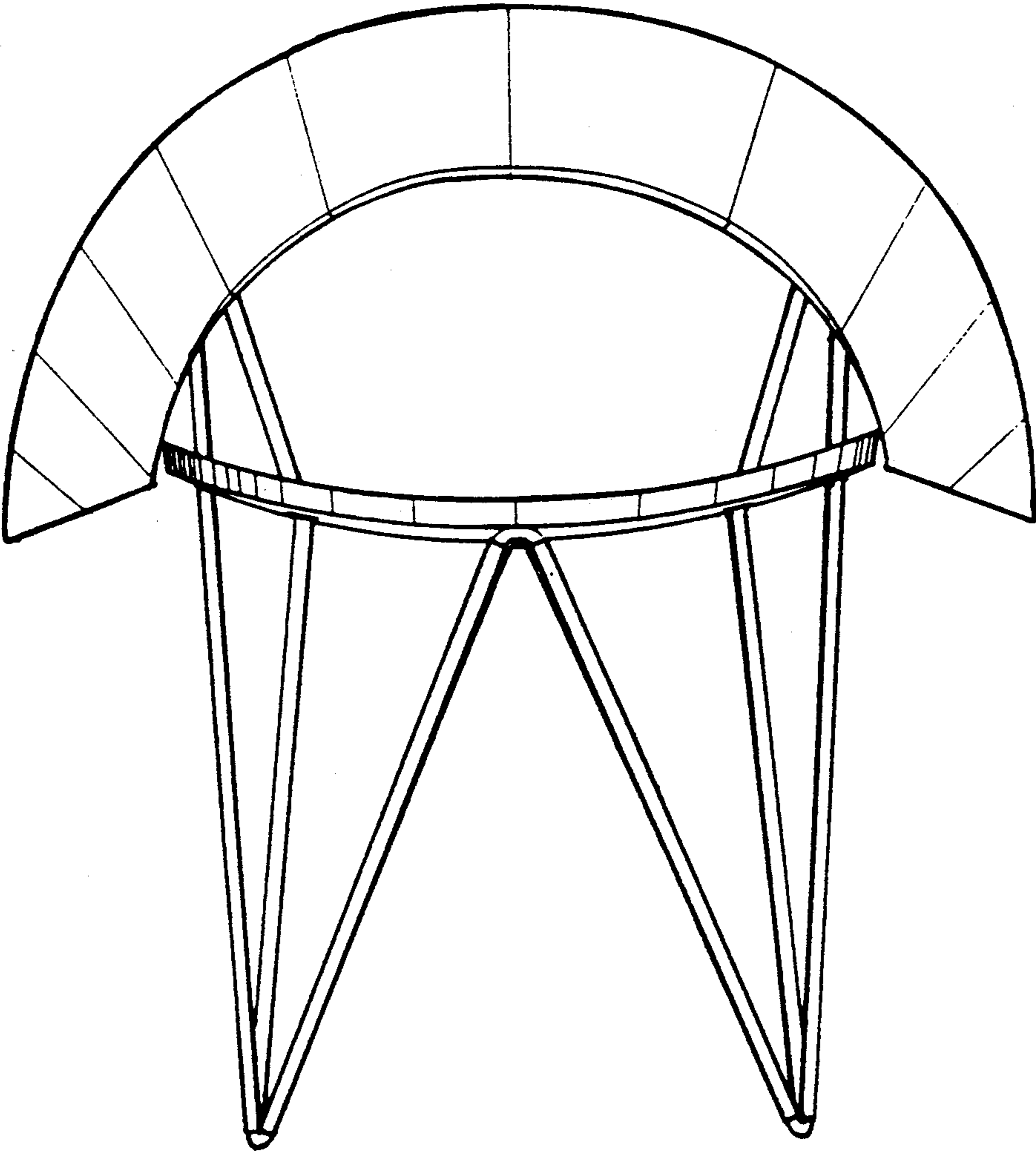


FIG. 2

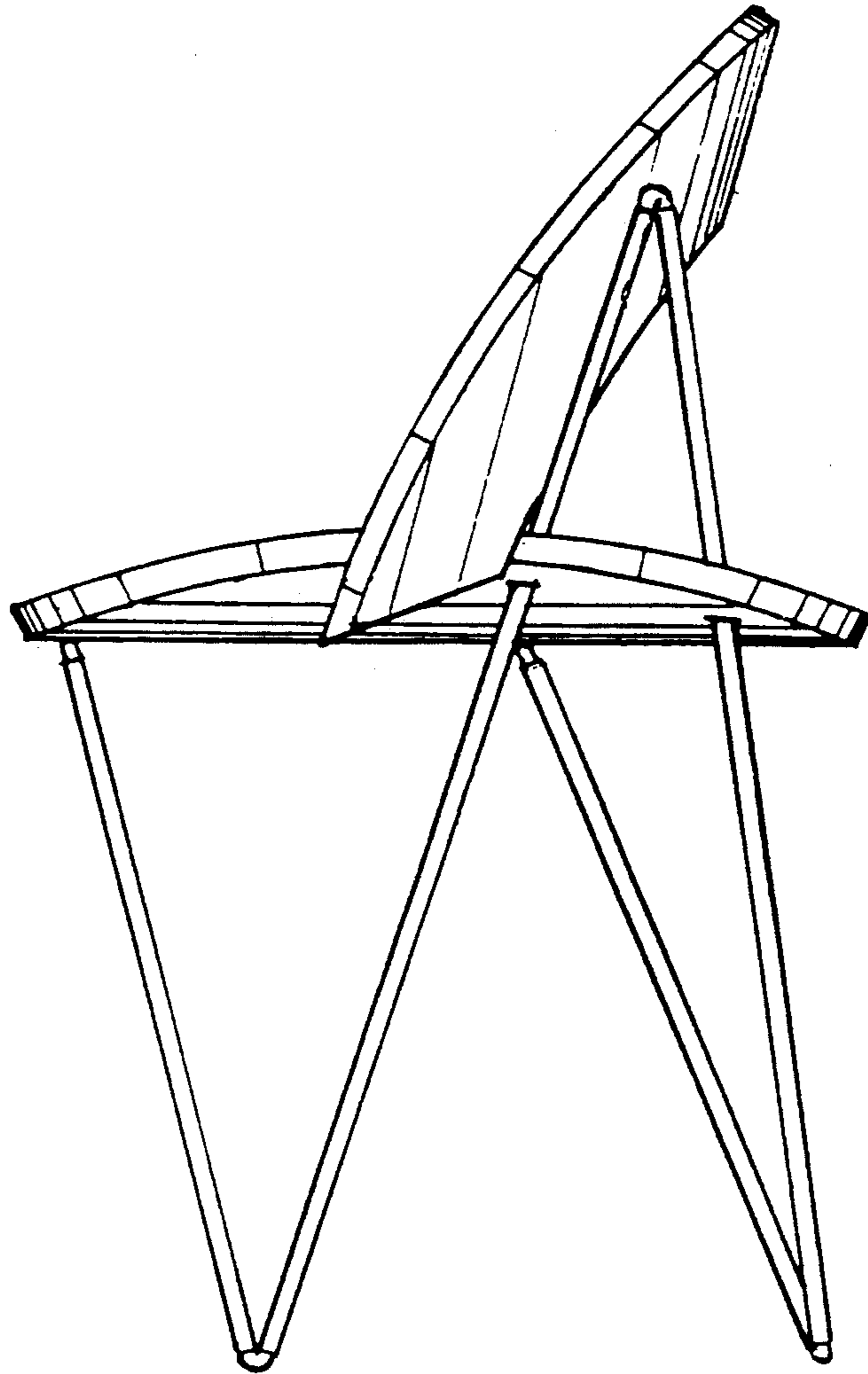


FIG. 3

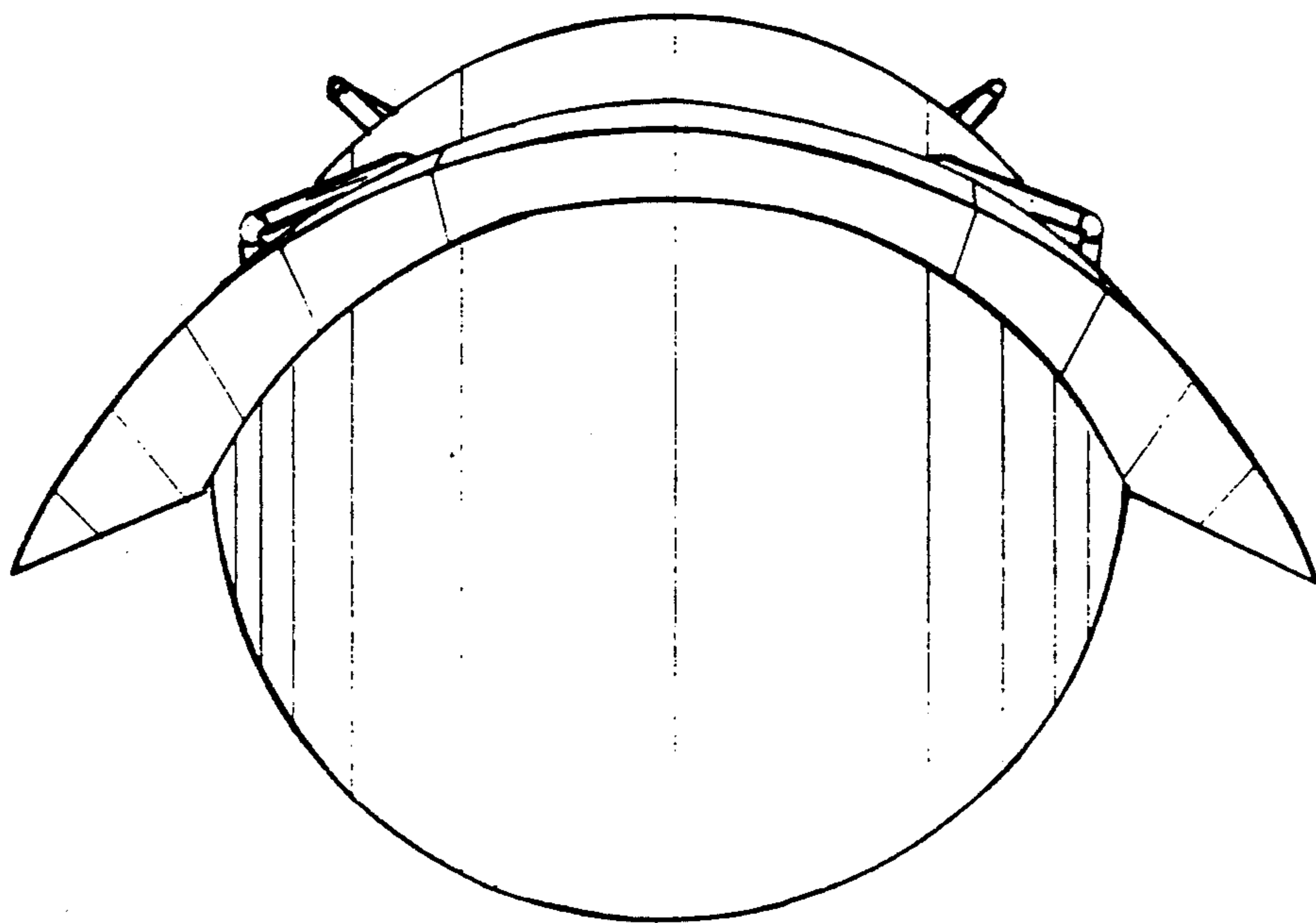


FIG. 4

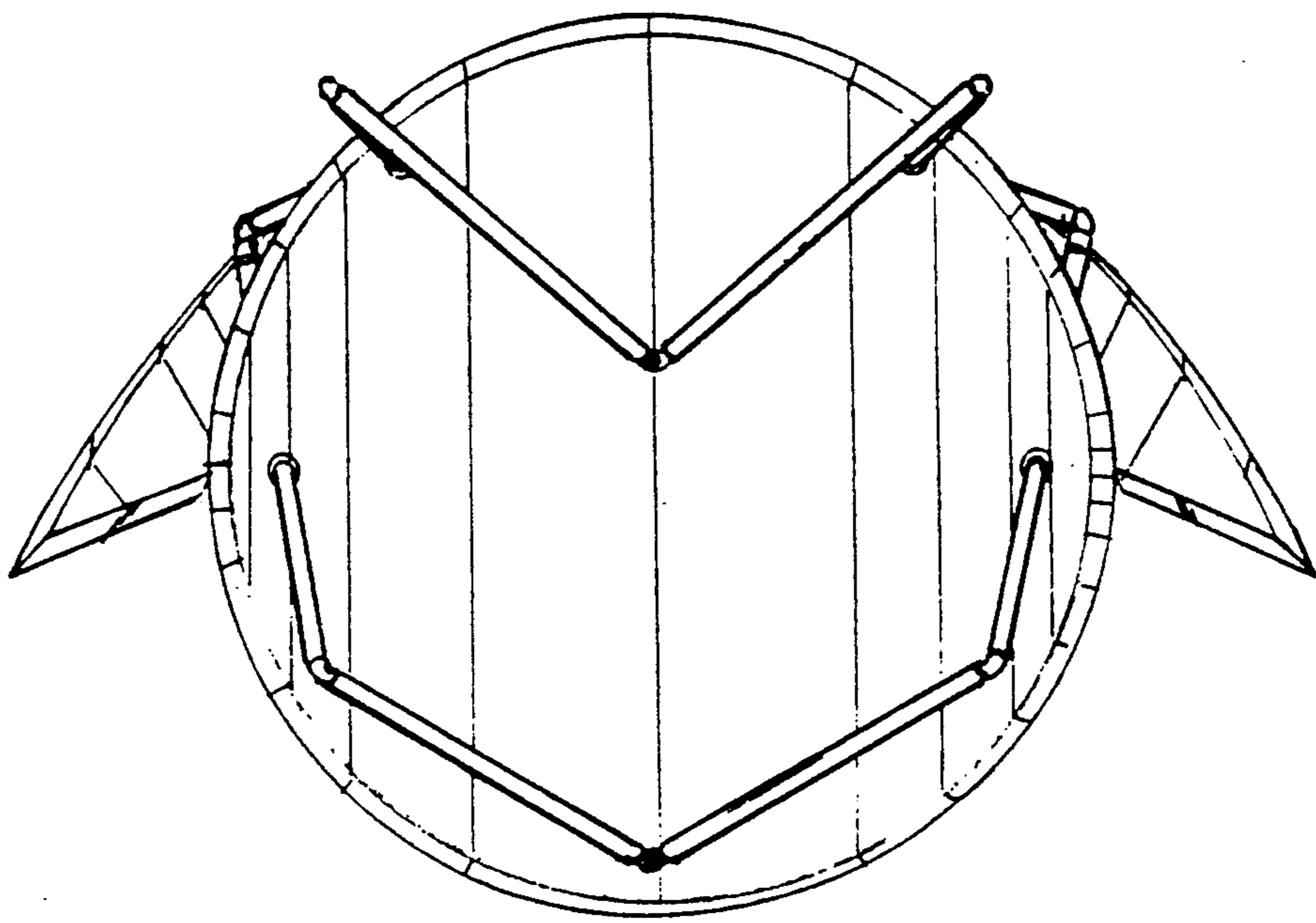


FIG. 5

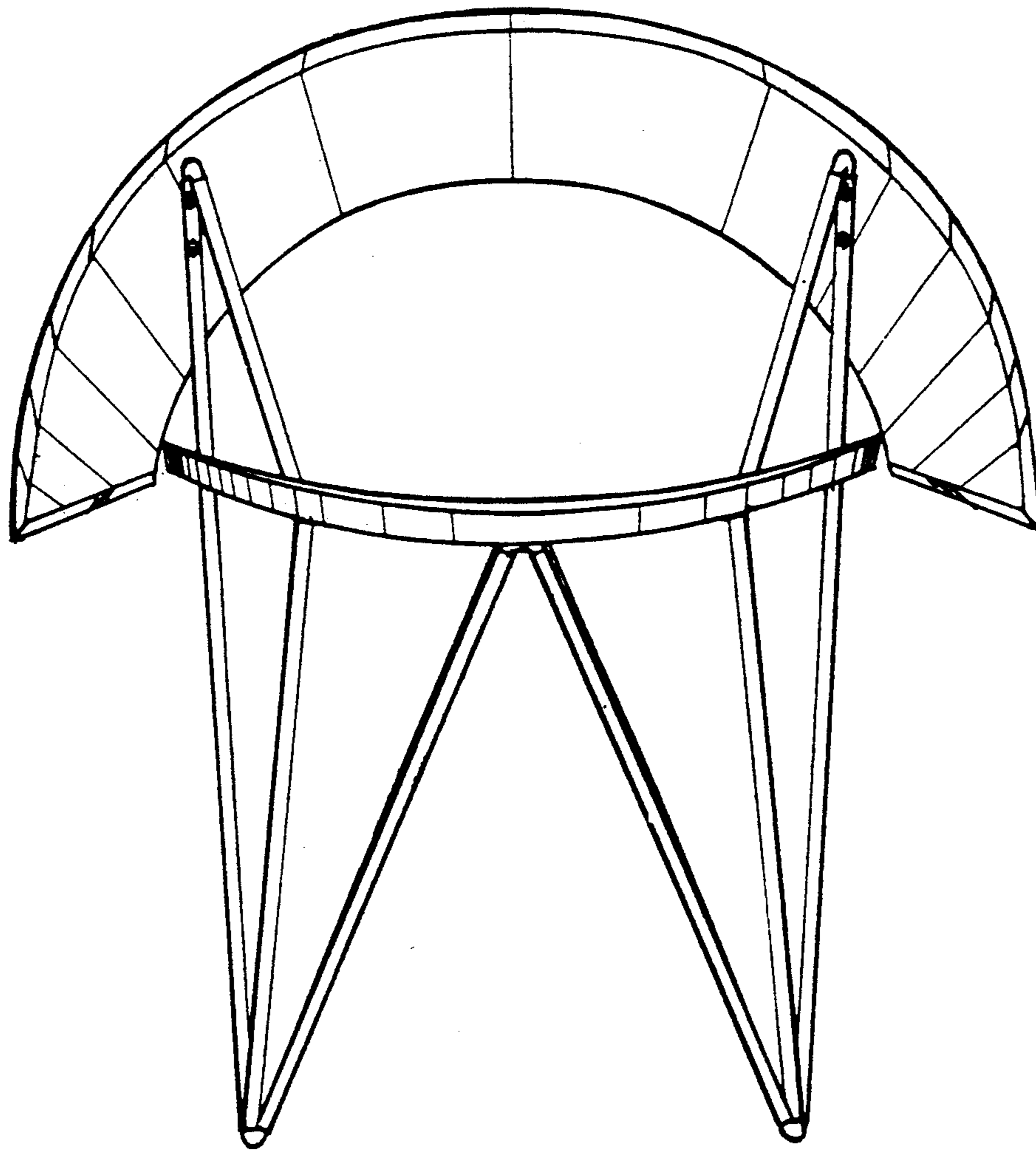


FIG. 6

UNITED STATES PATENT AND TRADEMARK OFFICE  
**CERTIFICATE OF CORRECTION**

PATENT NO. : Des.343,741

DATED : February 1, 1994

INVENTOR(S) : Reiko Kato and Richard H. Penney

It is certified that error appears in the above-identified patent and that said Letters Patent is hereby corrected as shown below:

On the title page, Item [76] Inventors: change "Perney" to read  
--Penney--.

Signed and Sealed this  
Twenty-first Day of June, 1994

*Attest:*



BRUCE LEHMAN

*Attesting Officer*

*Commissioner of Patents and Trademarks*