



US00D343731S

United States Patent [19]

Tsumita

[11] Patent Number: **Des. 343,731**

[45] Date of Patent: **** Feb. 1, 1994**

[54] **CHILDREN'S MAKE-UP AND FASHION KIT**

[75] Inventor: **Mitsuyo Tsumita, Tokyo, Japan**

[73] Assignee: **Tomy Company, Ltd., Tokyo, Japan**

[**] Term: **14 Years**

[21] Appl. No.: **851,145**

[22] Filed: **Mar. 13, 1992**

[30] **Foreign Application Priority Data**

Sep. 13, 1991 [JP] Japan 3-27737

[52] U.S. Cl. **D3/282; D21/59; D3/284; D3/901**

[58] Field of Search **D3/74, 78, 33, 30.1, D3/75, 76, 73, 39; 190/109, 110, 111, 112, 113, 114, 115, 124, 127, 121, 120, 125; 446/75, 76, 296, 472; 206/214, 1.7; D21/59**

[56] **References Cited**

U.S. PATENT DOCUMENTS

D. 203,022 11/1965 Mayer D3/76 X
D. 258,705 3/1981 Wheeler D3/74

D. 314,667 2/1991 Hussain D3/74 X
3,010,552 11/1961 Davidson 190/117
3,066,790 12/1962 Armbruster 190/115 X
3,391,765 7/1968 Baker 190/117
3,891,070 6/1975 Montanari 190/117
4,307,539 12/1981 Klein 446/472
4,524,867 6/1985 Klein et al. 190/124 X

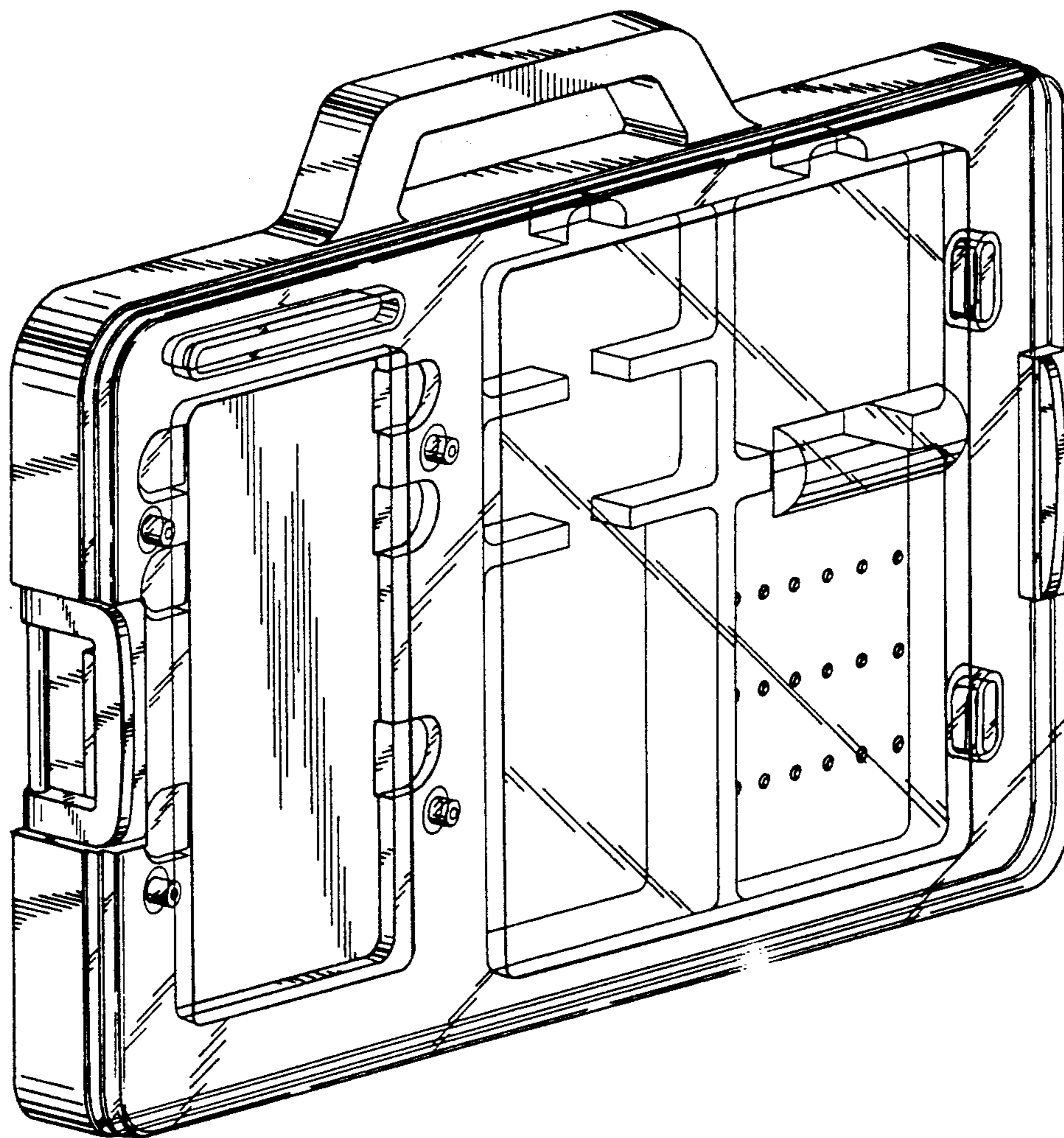
Primary Examiner—Melvin B. Feifer
Assistant Examiner—Paula Mortimer
Attorney, Agent, or Firm—Staas & Halsey

[57] **CLAIM**

The ornamental design for a children's make-up and fashion kit, as shown.

DESCRIPTION

FIG. 1 is a front elevational view of a children's make-up and fashion kit showing my new design; FIG. 2 is a rear elevational view thereof; FIG. 3 is a left side elevational view thereof; FIG. 4 is a right side elevational view thereof; FIG. 5 is a top plan view thereof; FIG. 6 is a bottom plan view thereof; and, FIG. 7 is a front perspective view thereof.



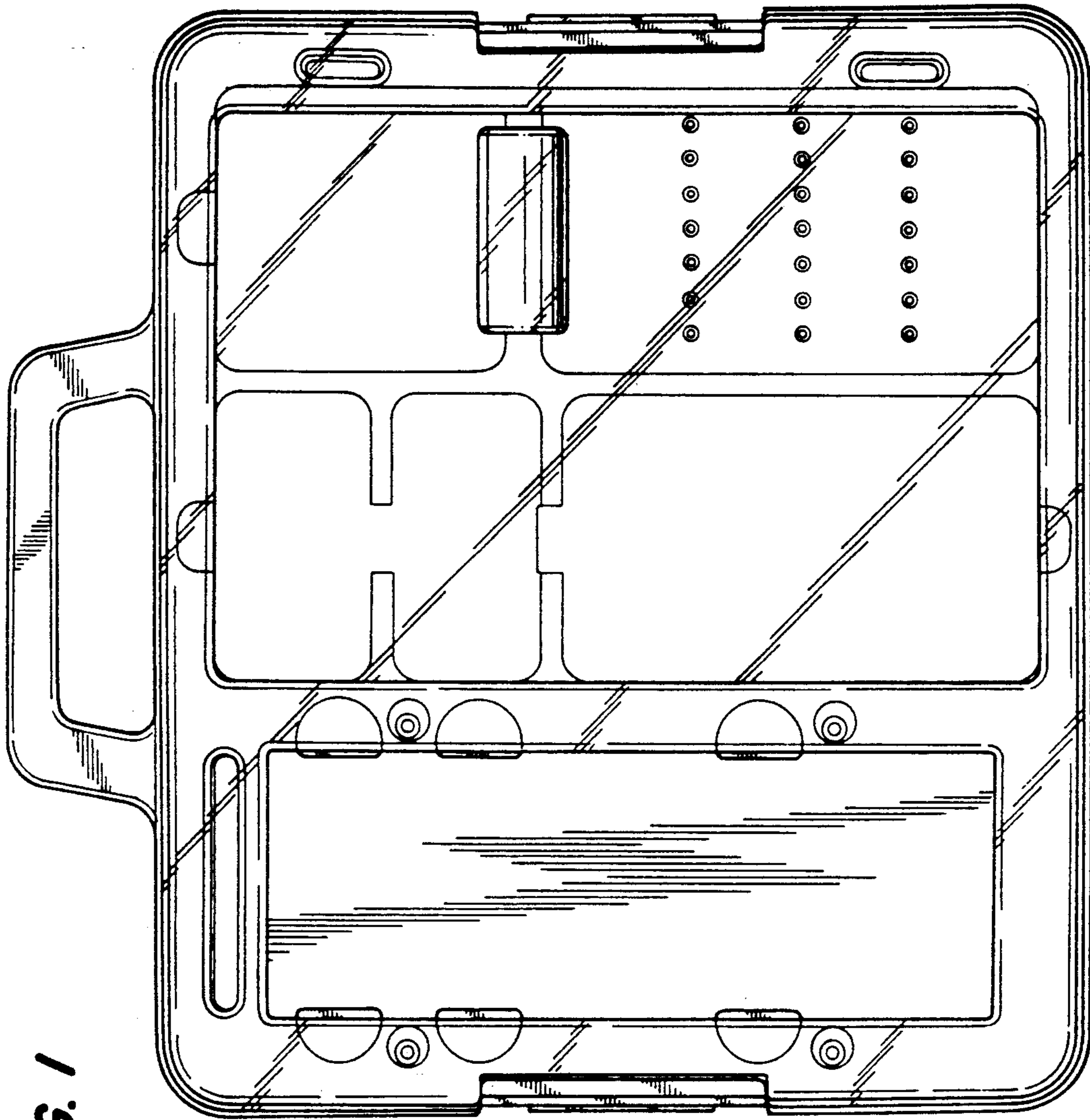


FIG. 1

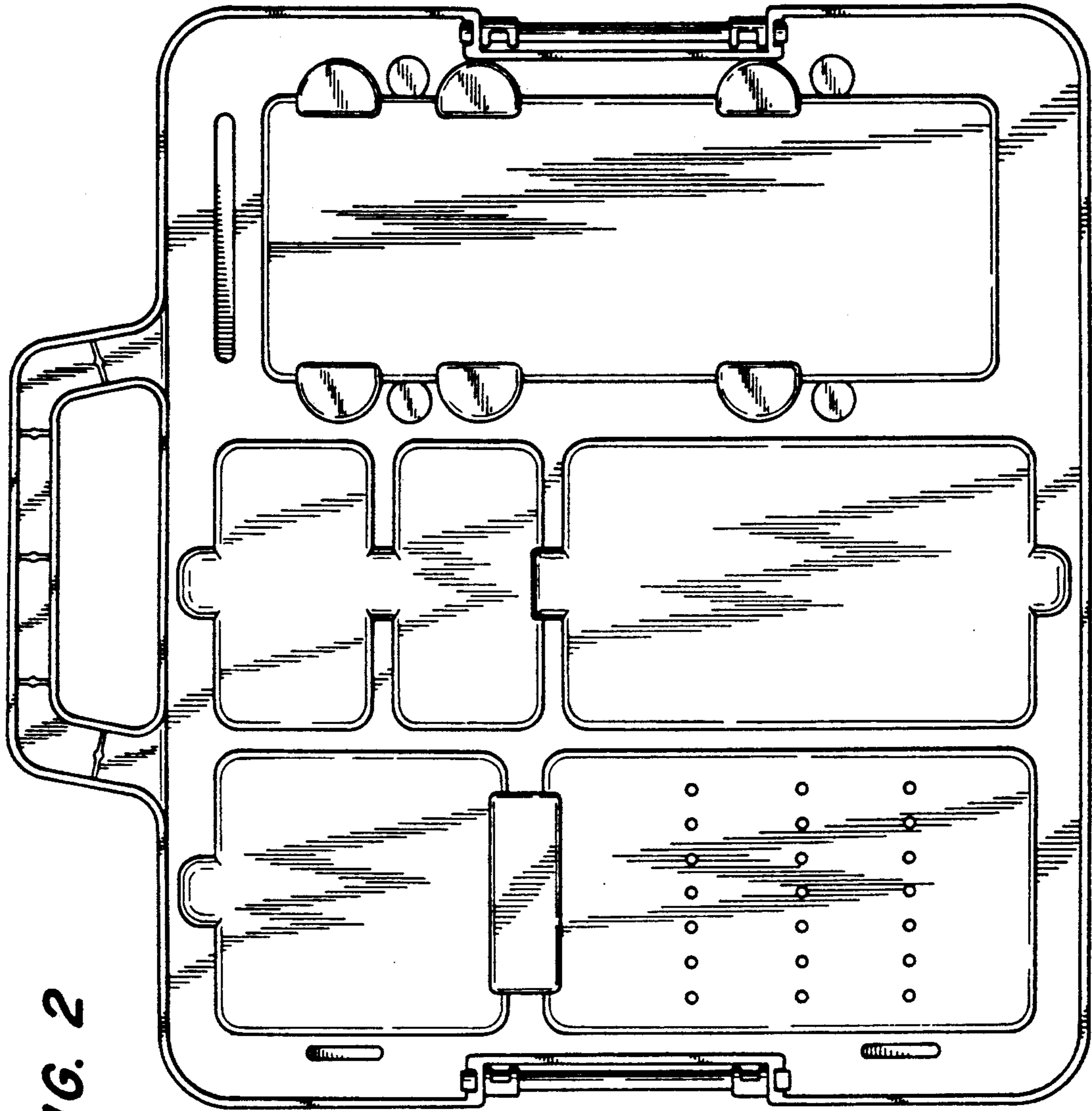


FIG. 2

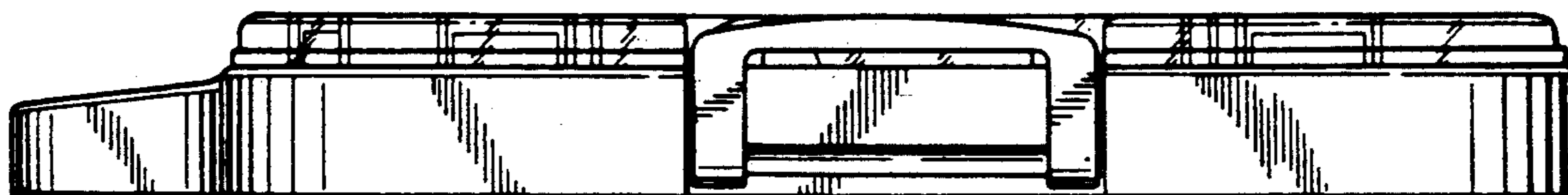


FIG. 4

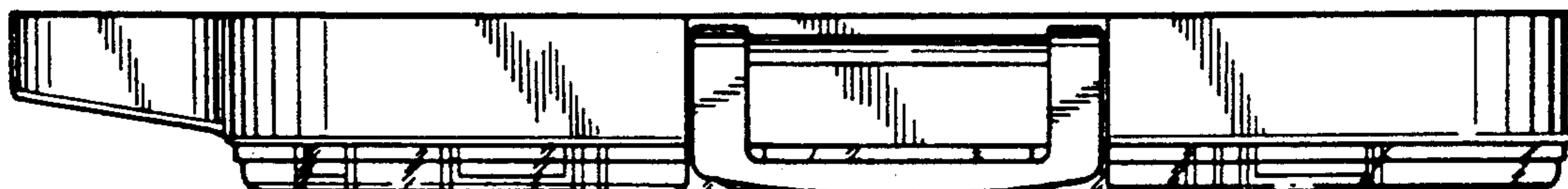
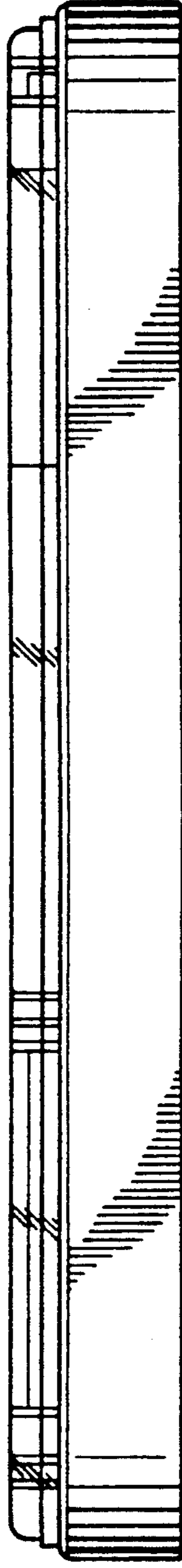


FIG. 3

FIG. 5



FIG. 6



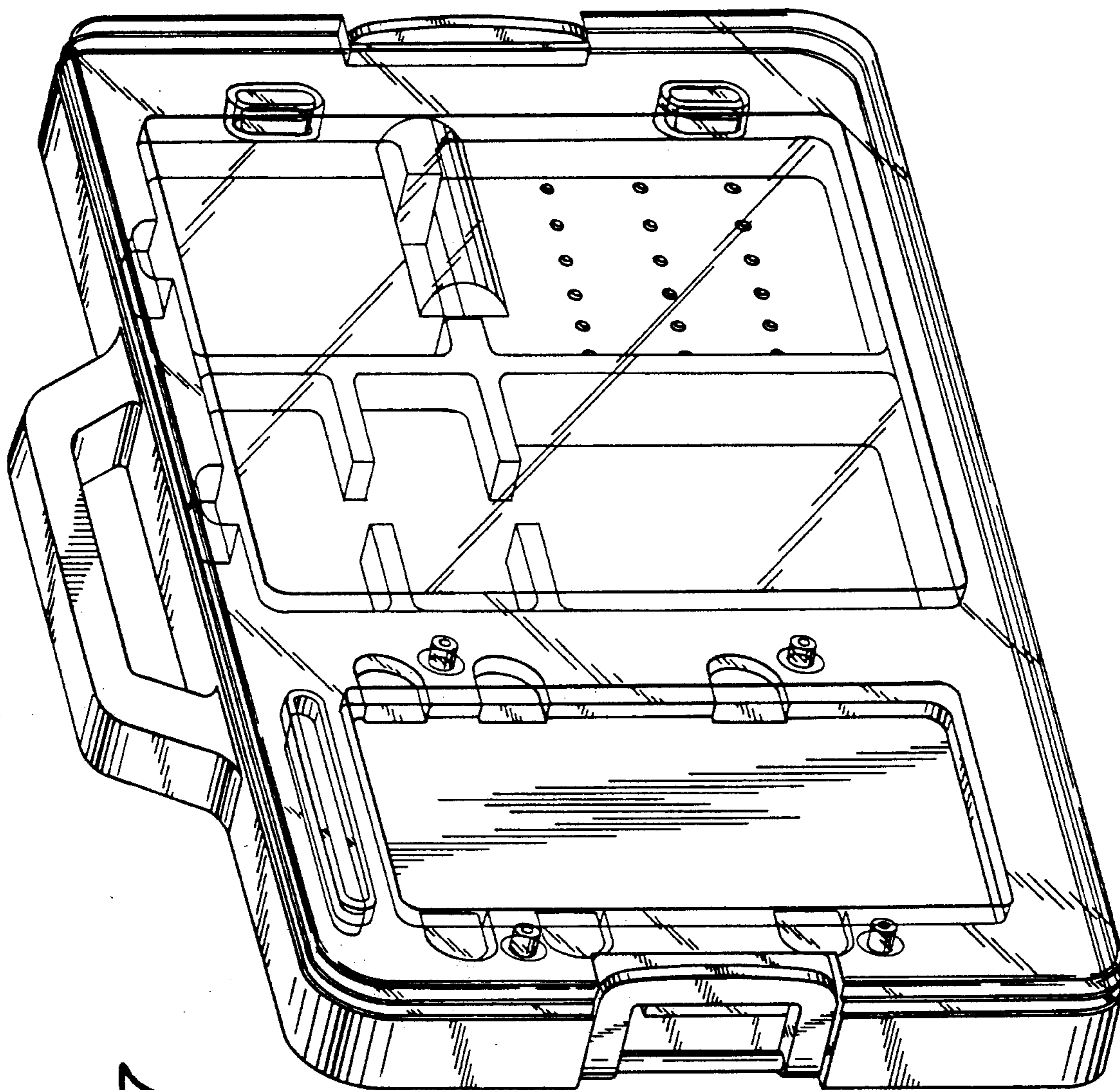


FIG. 7