



US00D343730S

United States Patent [19] Taylor

[11] Patent Number: **Des. 343,730**
[45] Date of Patent: **** Feb. 1, 1994**

- [54] **DISKETTE HOLDER**
- [75] Inventor: **Jon B. Taylor, Lawrence, Kans.**
- [73] Assignee: **International Business Machines Corporation, Armonk, N.Y.**
- [*] Notice: **The portion of the term of this patent subsequent to Apr. 6, 2007 has been disclaimed.**
- [**] Term: **14 Years**
- [21] Appl. No.: **777,897**
- [22] Filed: **Oct. 10, 1991**
- [52] U.S. Cl. **D6/630; D6/631**
- [58] Field of Search **D3/30.1, 35, 39, 56, D3/59, 60, 71, 74, 79, 100; 206/312, 387, 444, 470; 360/133; D19/75, 76, 90, 91; D27/155, 157, 159, 172, 186, 189-191**

[56] References Cited U.S. PATENT DOCUMENTS

D. 224,177	7/1972	Wallace	D3/35
D. 255,038	5/1980	Itakura	D27/189
D. 283,949	5/1986	Kitada	D3/35
D. 287,070	12/1986	Staubitz et al.	D19/76
D. 288,039	2/1987	Le Blanc	D19/75
D. 301,898	6/1989	Galvez	D19/75
4,676,378	6/1987	Willems et al.	206/444
4,776,457	10/1988	Ferraroni	206/444
4,776,482	10/1988	Wolters et al.	206/444

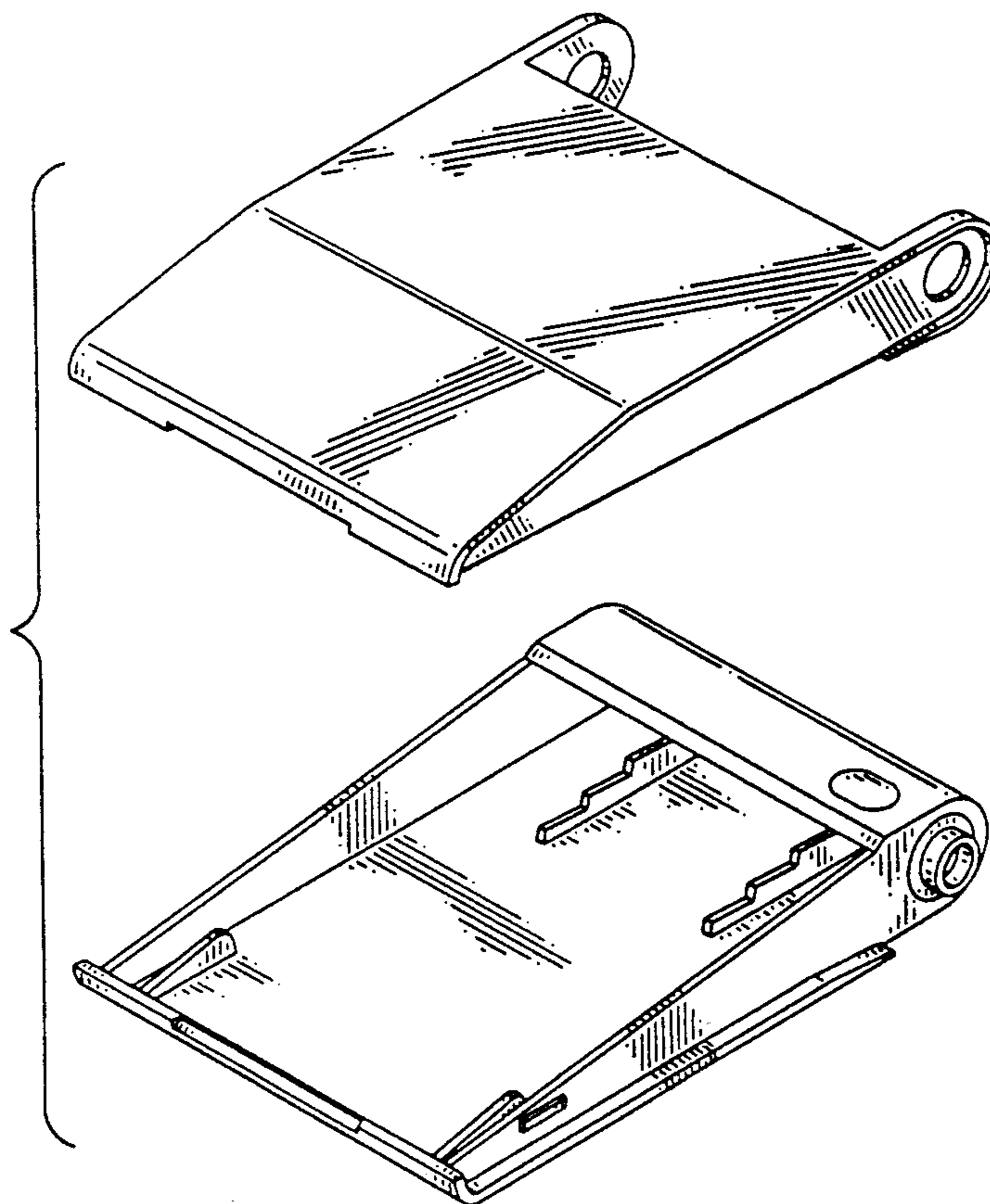
Primary Examiner—A. Hugo Word
Assistant Examiner—Celia A. Murphy
Attorney, Agent, or Firm—Roy W. Truelson

[57] CLAIM

The ornamental design for a diskette holder, as shown and described.

DESCRIPTION

FIG. 1 is an exploded view of a diskette holder showing my new design;
 FIG. 2 is a right side elevational view thereof shown as a unit, the left side being a mirror image;
 FIG. 3 is a rear elevational view of FIG. 2;
 FIG. 4 is a top plan view of FIG. 2;
 FIG. 5 is a bottom plan view of FIG. 2;
 FIG. 6 is a right side elevational view of the base portion shown in FIG. 1, the left side being a mirror image;
 FIG. 7 is a rear elevational view of FIG. 6;
 FIG. 8 is a top plan view of FIG. 6;
 FIG. 9 is a right side elevational view of the cover portion shown in FIG. 1, the left side being a mirror image;
 FIG. 10 is a rear elevational view of FIG. 9;
 FIG. 11 is a top plan view of FIG. 9; and,
 FIG. 12 is a perspective view of a diskette holder showing my new design in the position of use, the broken line showings of multiple diskettes being for illustrative purposes only and forming no part of the claimed design.



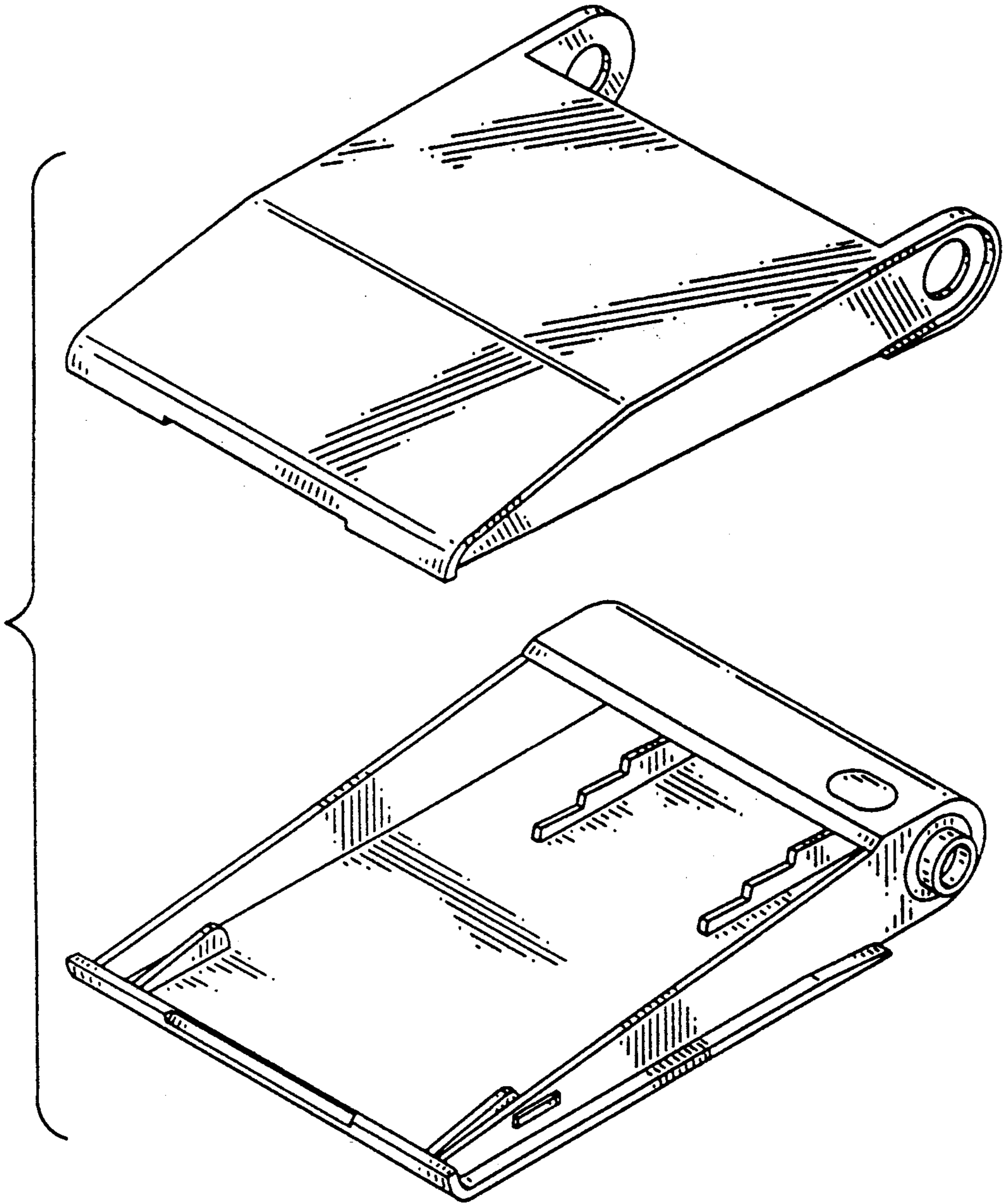


FIG. 1

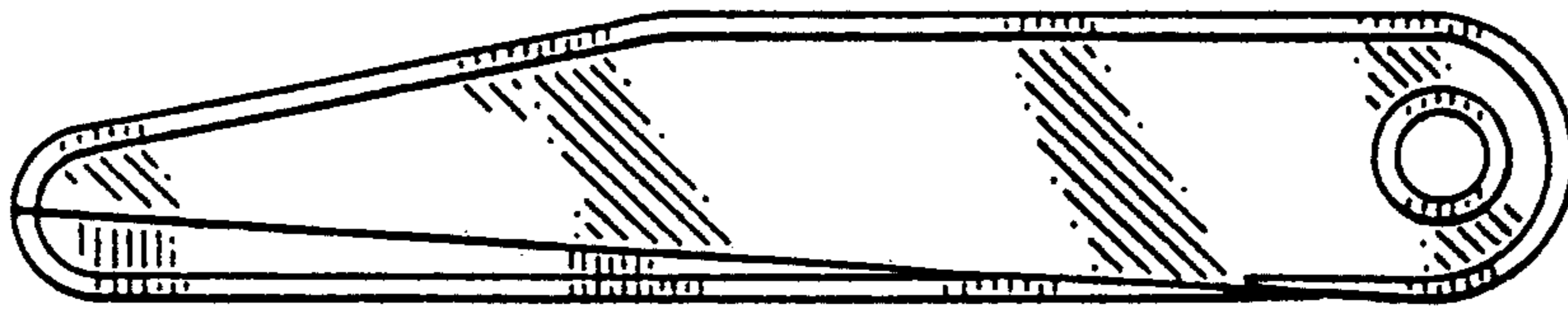


FIG. 2

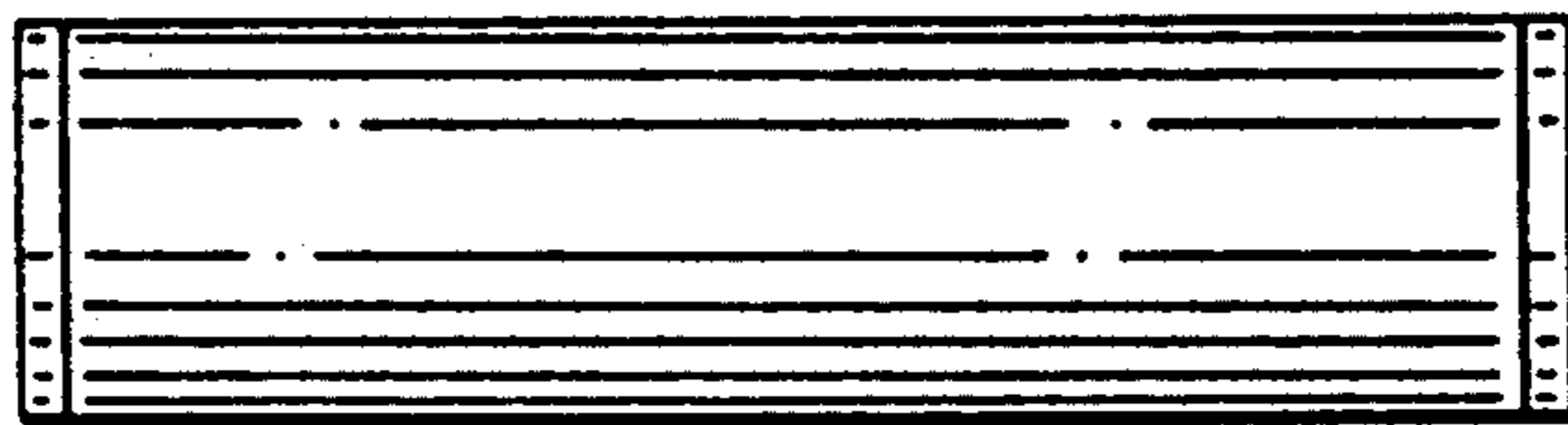


FIG. 3

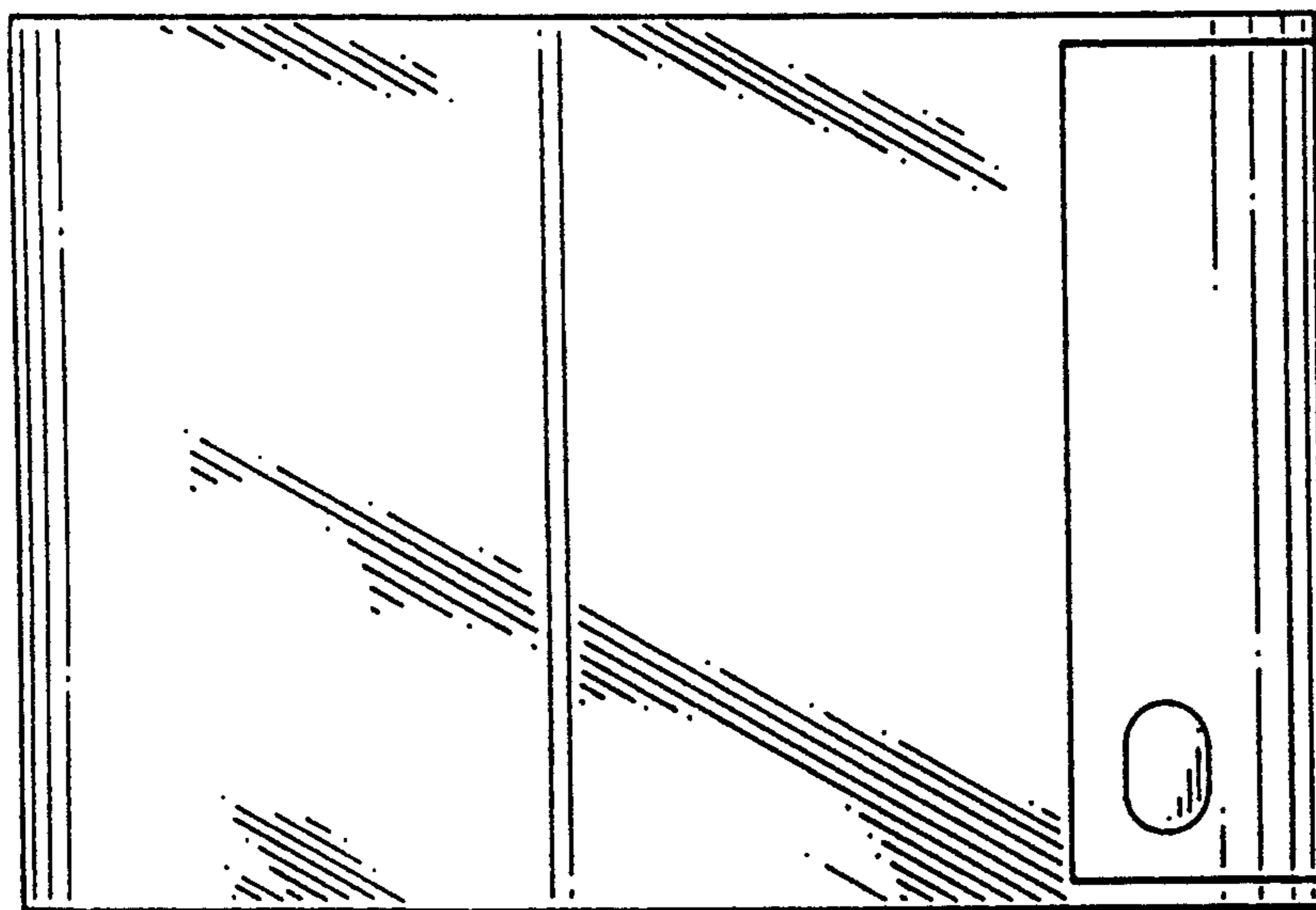


FIG. 4

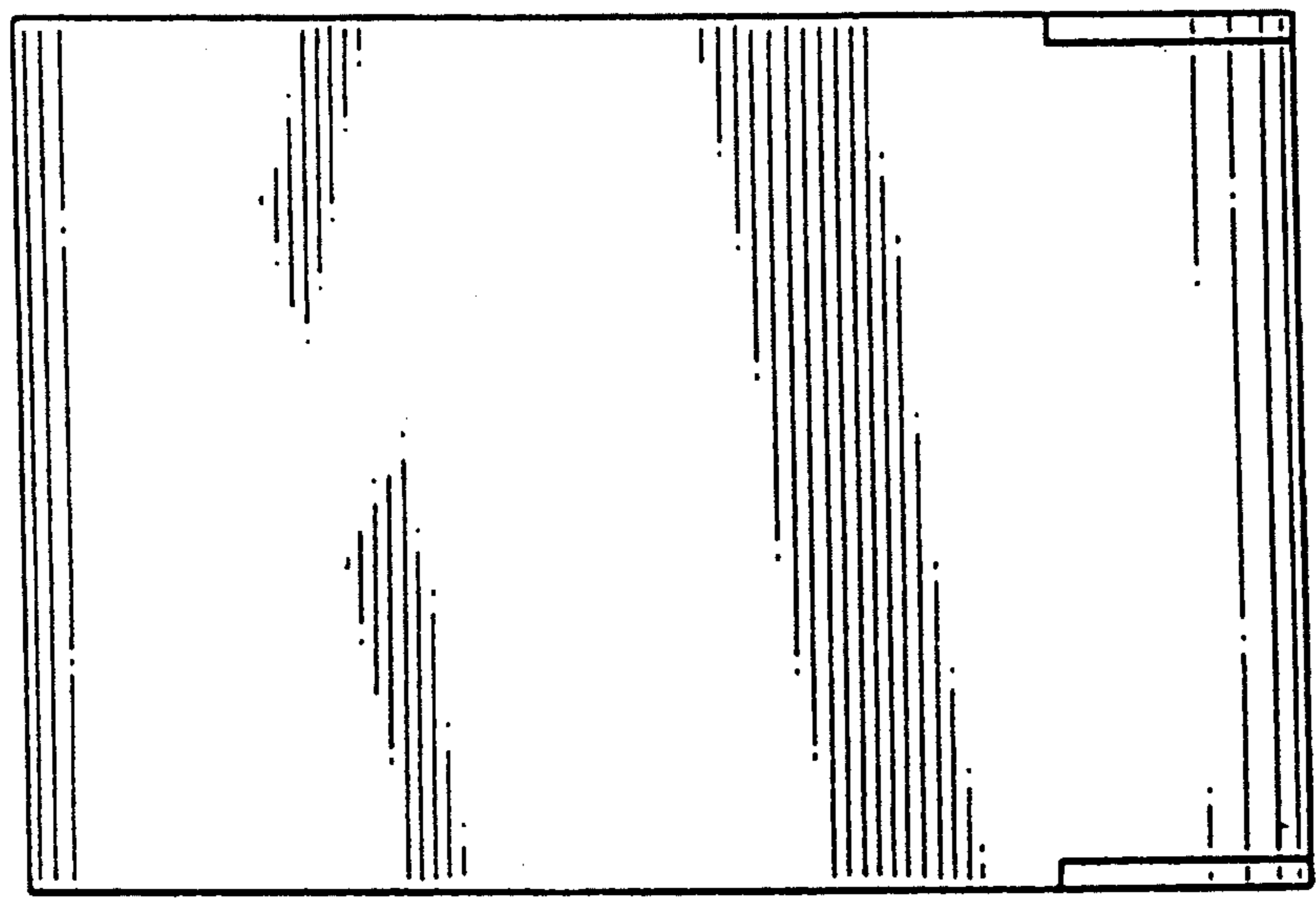


FIG. 5

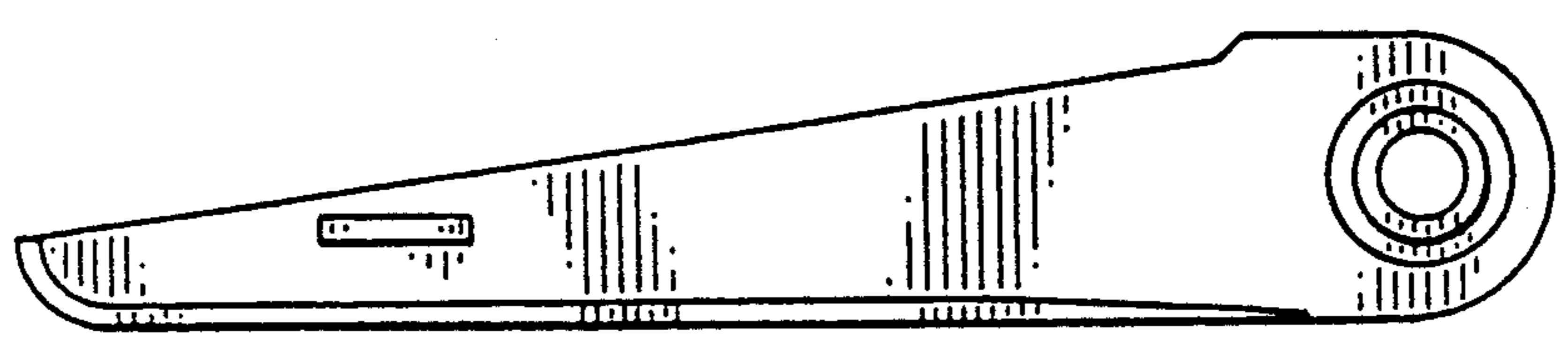


FIG. 6

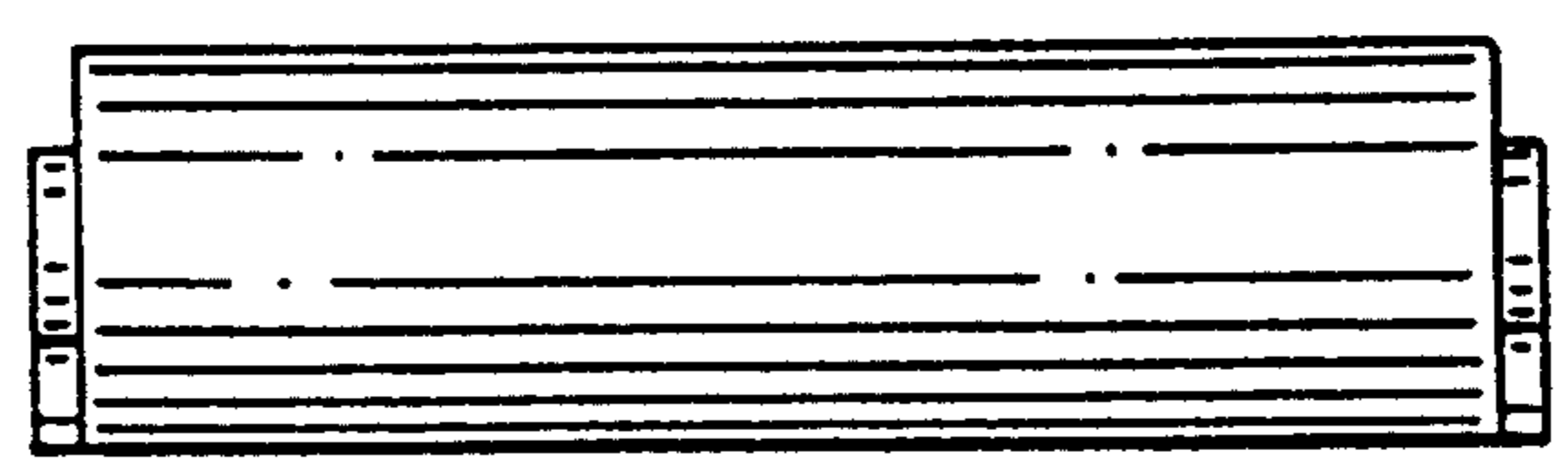


FIG. 7

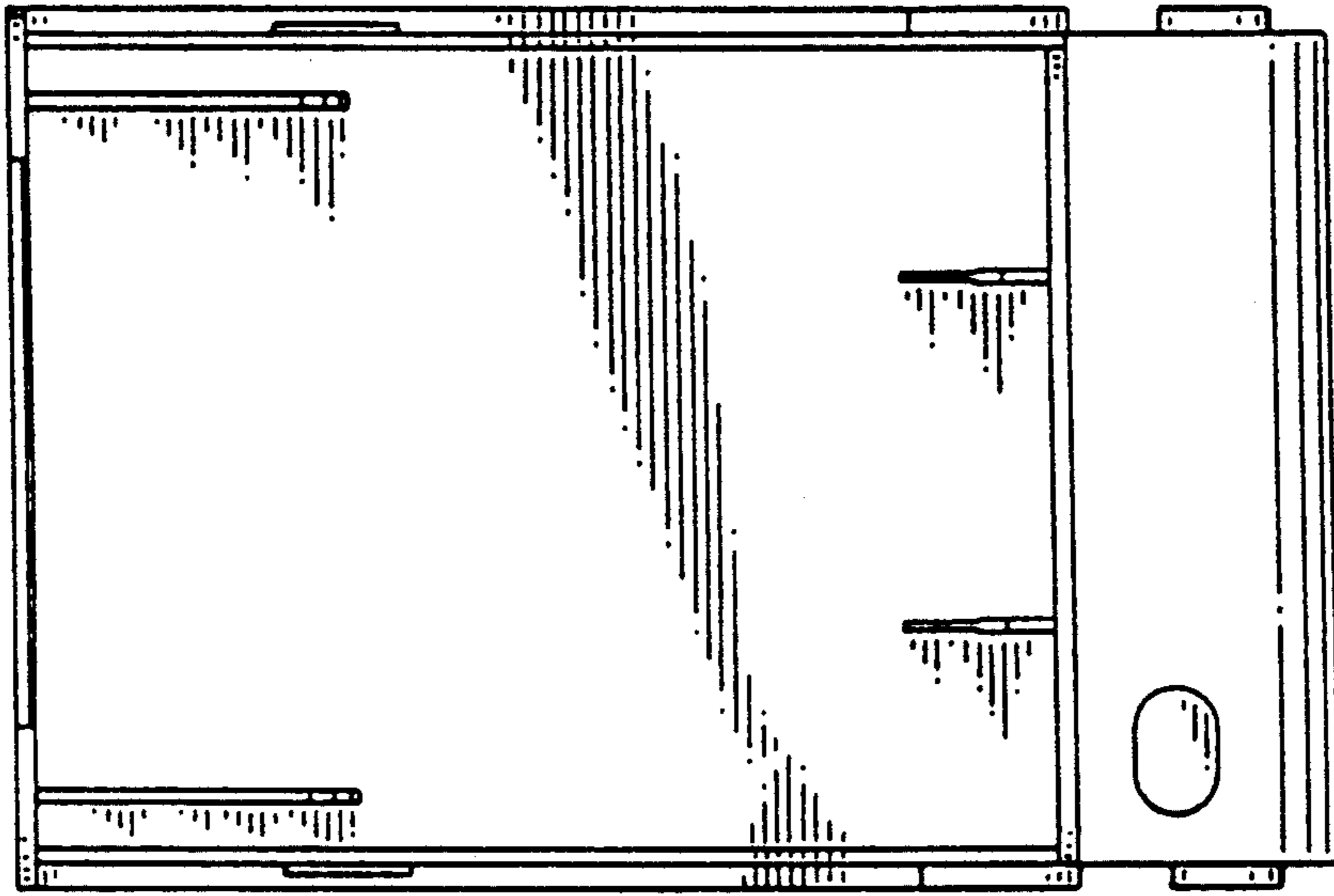


FIG. 8



FIG. 9

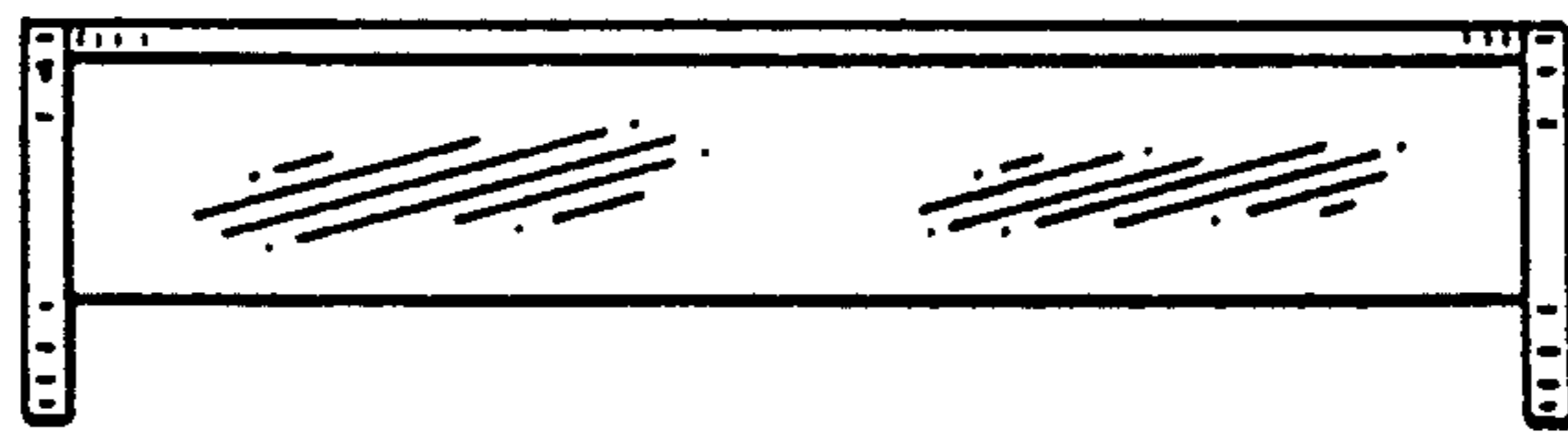


FIG. 10

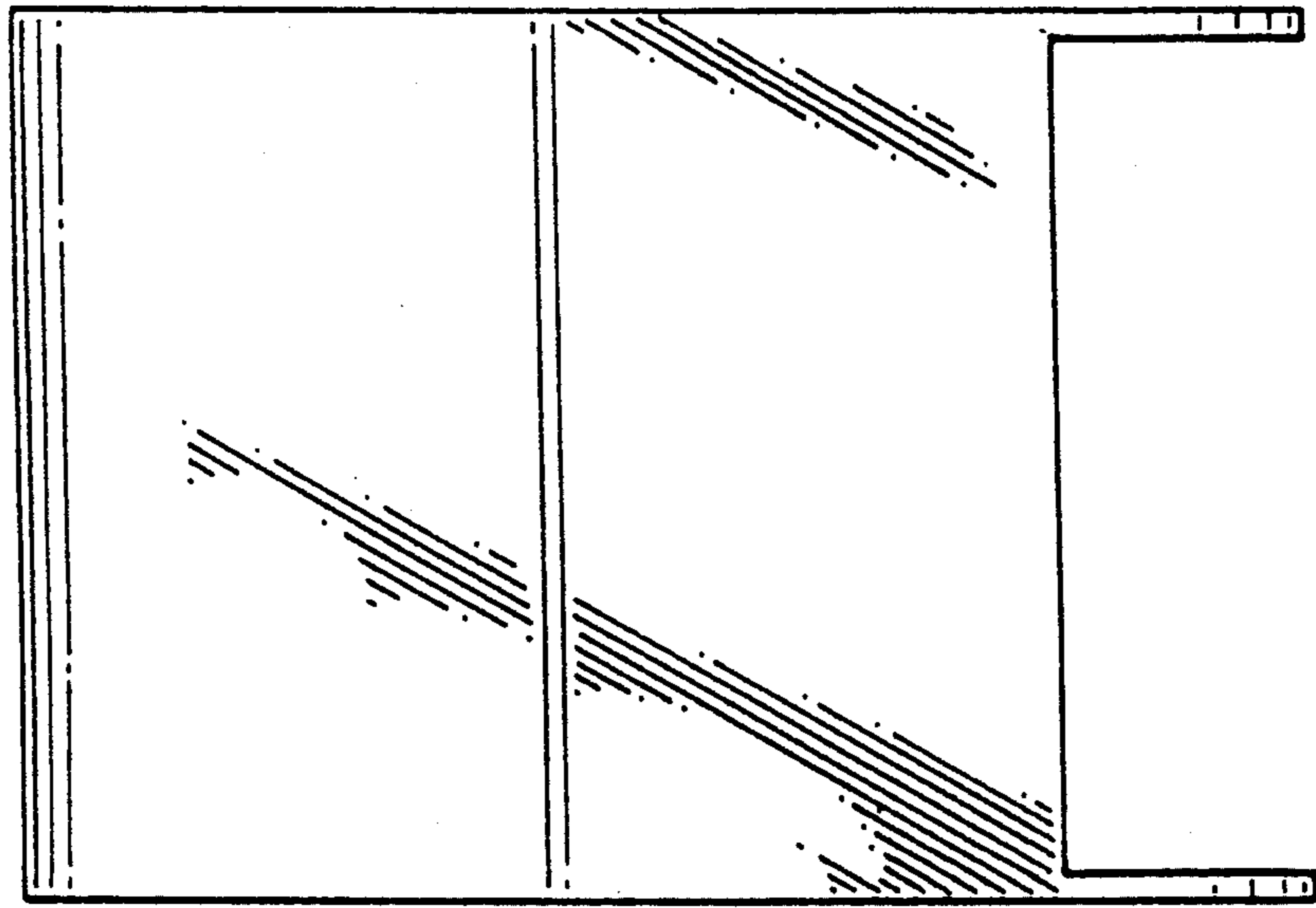


FIG. 11

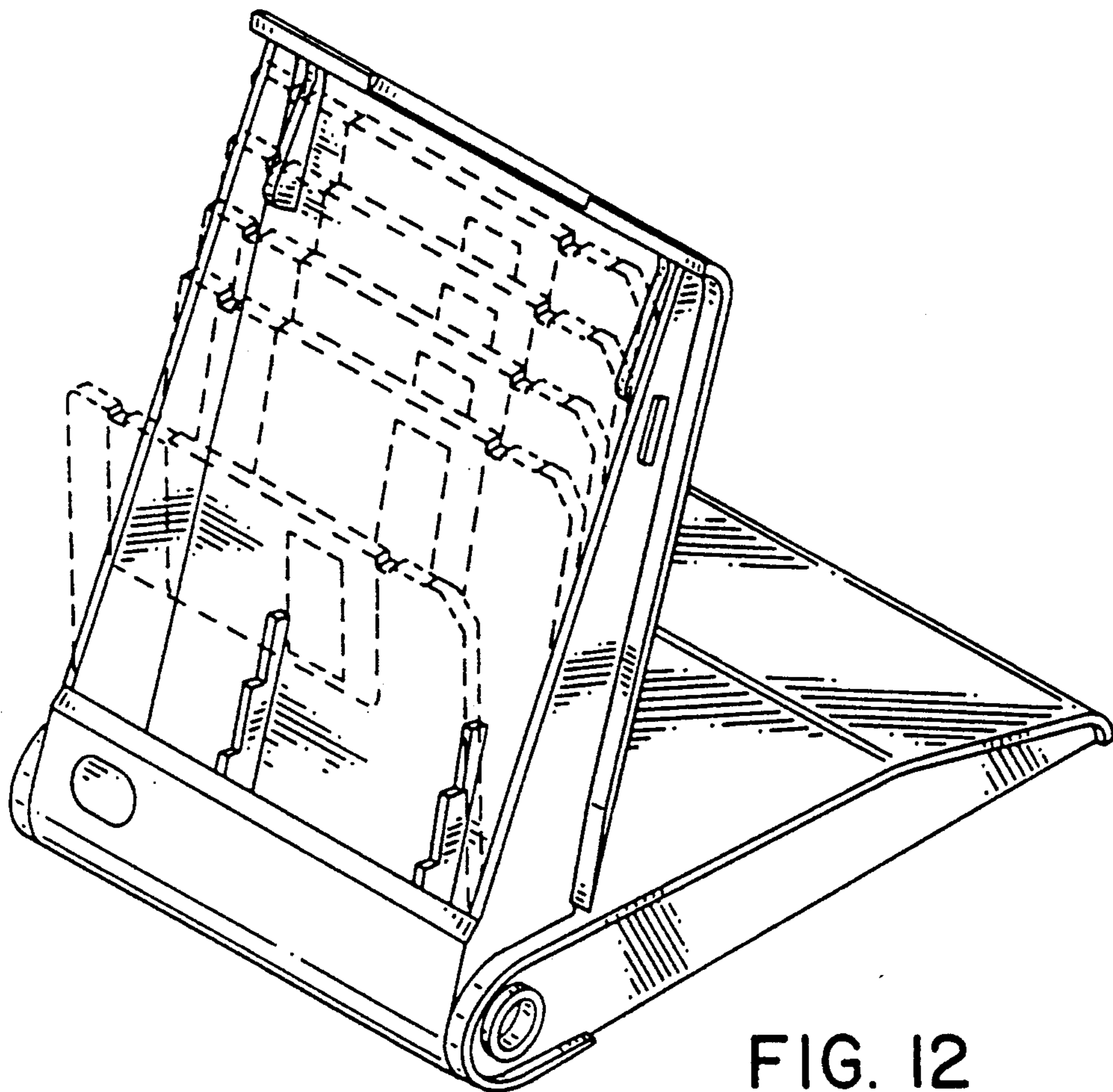


FIG. 12