



US00D343729S

United States Patent [19]
King

[11] **Patent Number: Des. 343,729**
[45] **Date of Patent: ** Feb. 1, 1994**

[54] **ATTACHE CASE**

[75] **Inventor: William L. King, Denver, Colo.**

[73] **Assignee: Samsonite Corporation, Denver, Colo.**

[**] **Term: 14 Years**

[21] **Appl. No.: 856,195**

[22] **Filed: Mar. 23, 1992**

[52] **U.S. Cl. D3/285; D3/900**

[58] **Field of Search D3/76, 74; 190/100, 190/109-115, 900, 901**

3,112,017 11/1963 Lifton 190/109 X
3,381,782 5/1968 Ikelheimer 190/110 X
4,020,930 5/1977 Weber 190/901 X
4,106,597 8/1978 Shook et al. 190/110
4,420,270 12/1983 Rossello 190/900 X

Primary Examiner—Bernard Ansher
Assistant Examiner—Paula Mortimer
Attorney, Agent, or Firm—Gregory W. O'Connor

[57] **CLAIM**

The ornamental design for an attache case, as shown and described.

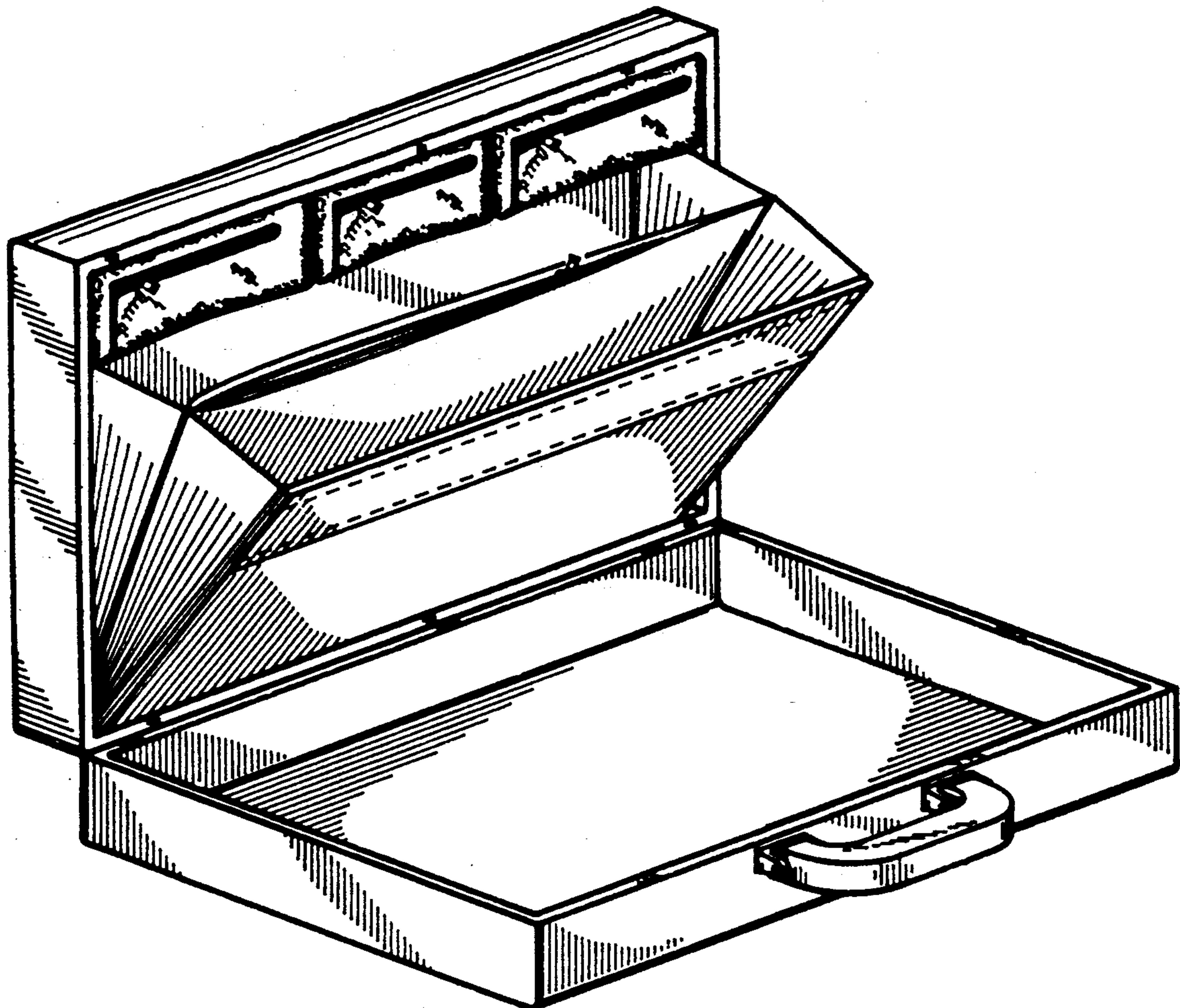
DESCRIPTION

FIG. 1 is a perspective view of the attache case embodying my new design;
FIG. 2 is a front view of the case shown in FIG. 1;
FIG. 3 is the case shown in FIG. 1 from the left end;
FIG. 4 is a top plan view thereof;
FIG. 5 is a bottom plan view thereof; and,
FIG. 6 is a rear view showing the side of the case opposite from that shown in FIG. 2.

[56] **References Cited**

U.S. PATENT DOCUMENTS

D. 110,256 6/1938 Neumann D3/74
D. 182,212 2/1958 Weiner D3/76 X
D. 256,189 8/1980 Rapoport D3/76
1,730,137 10/1929 Hamlin 190/110 X
1,884,402 10/1932 Van Devanter 190/109



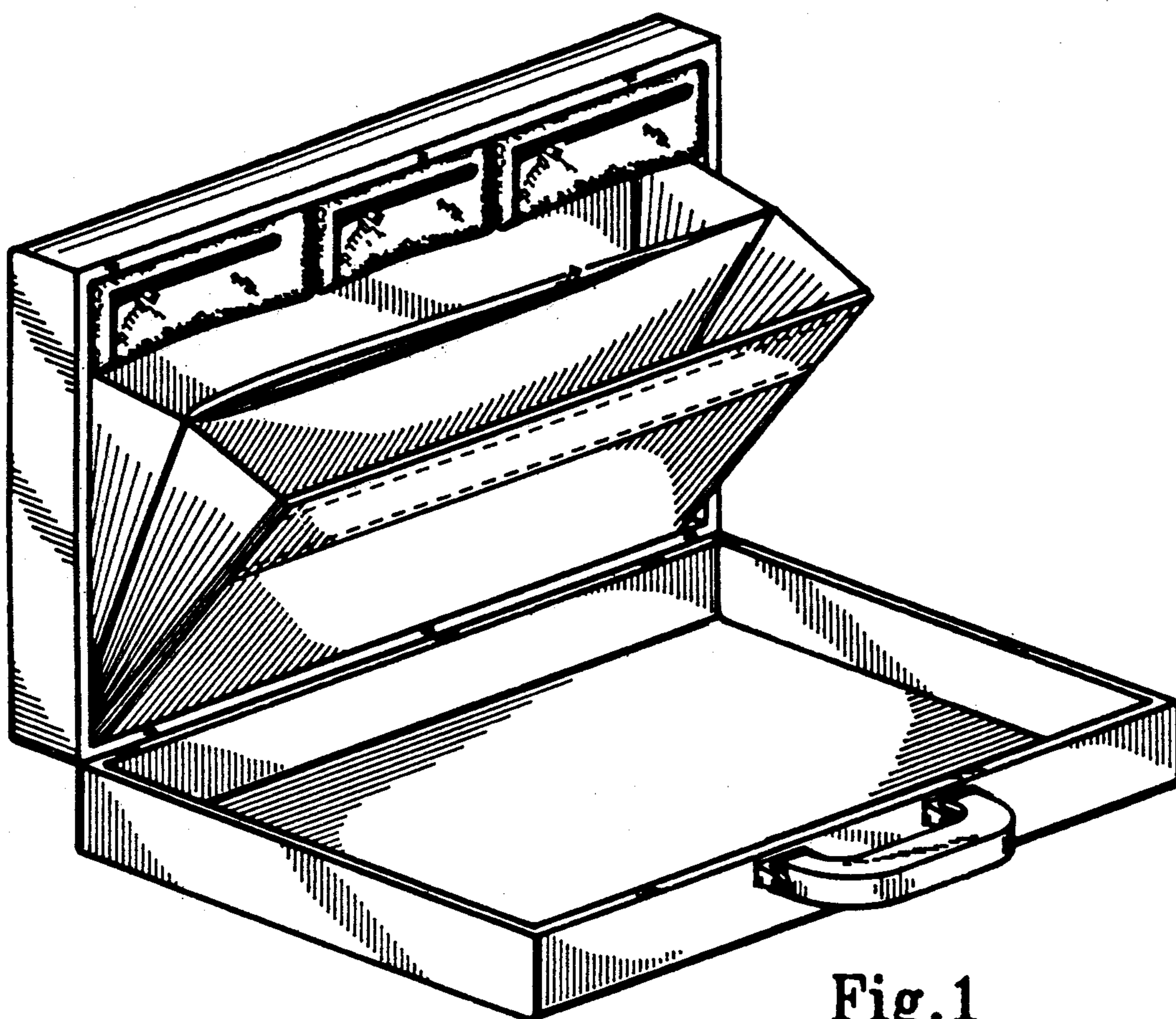


Fig. 1

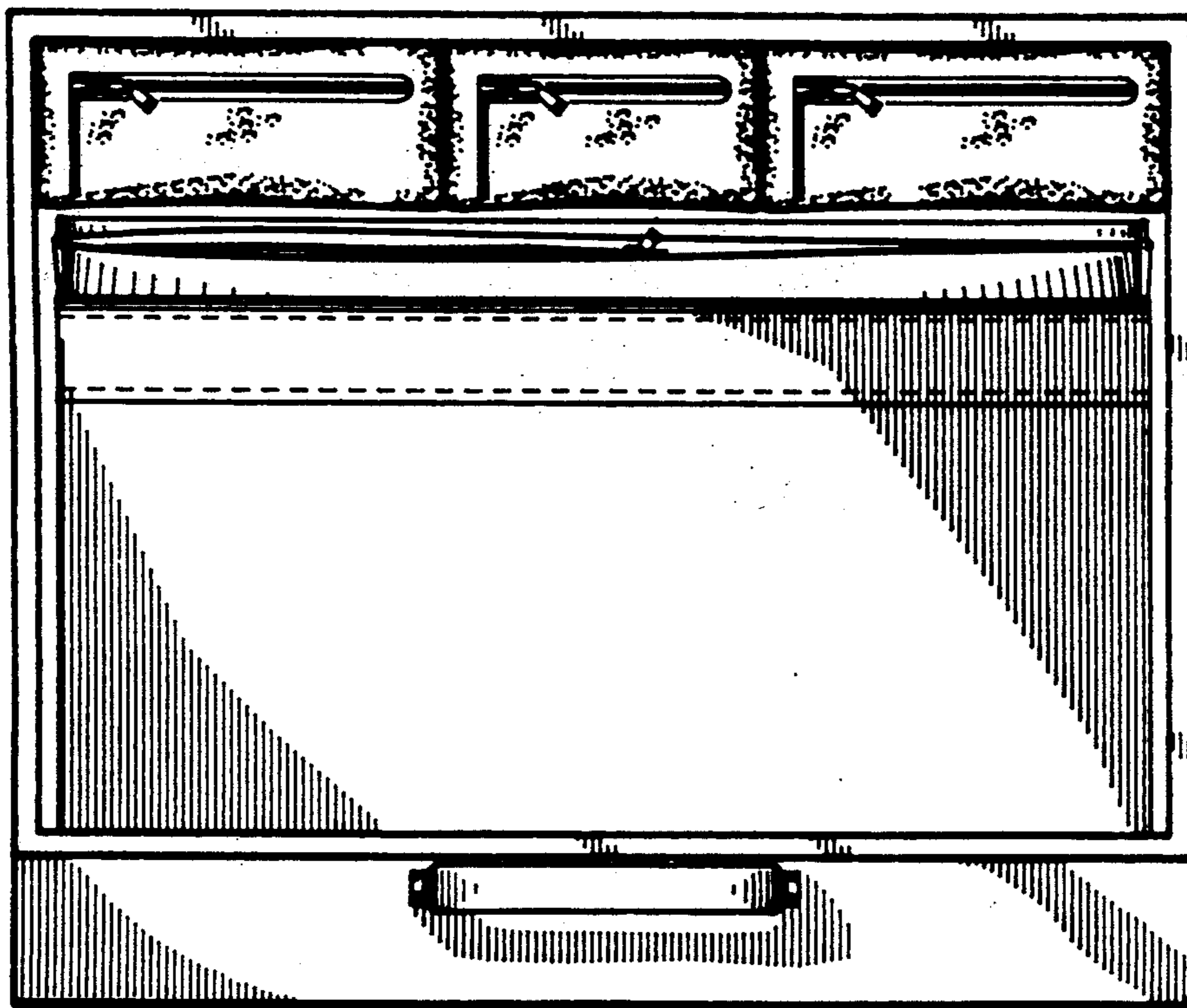


Fig. 2

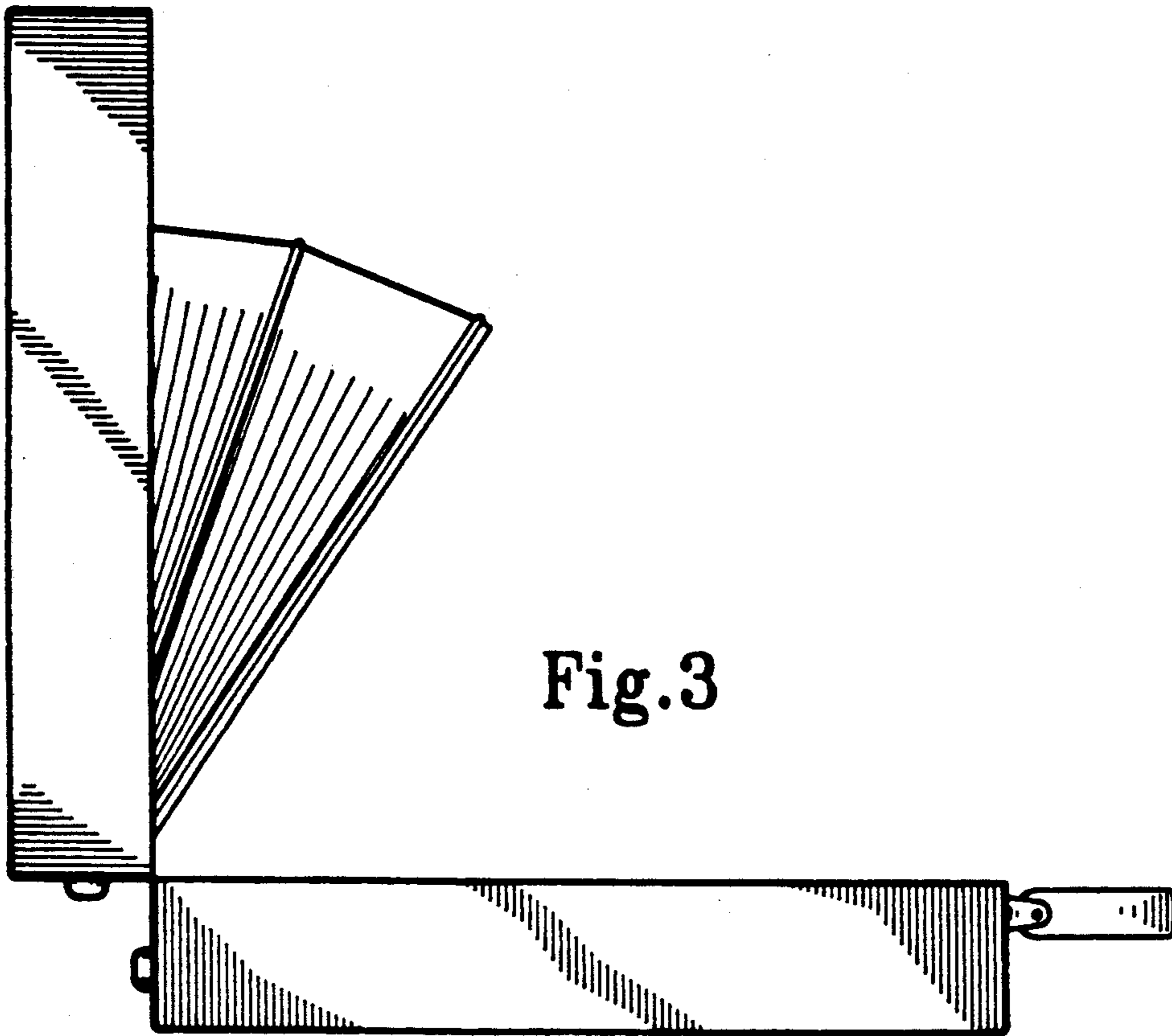


Fig. 3

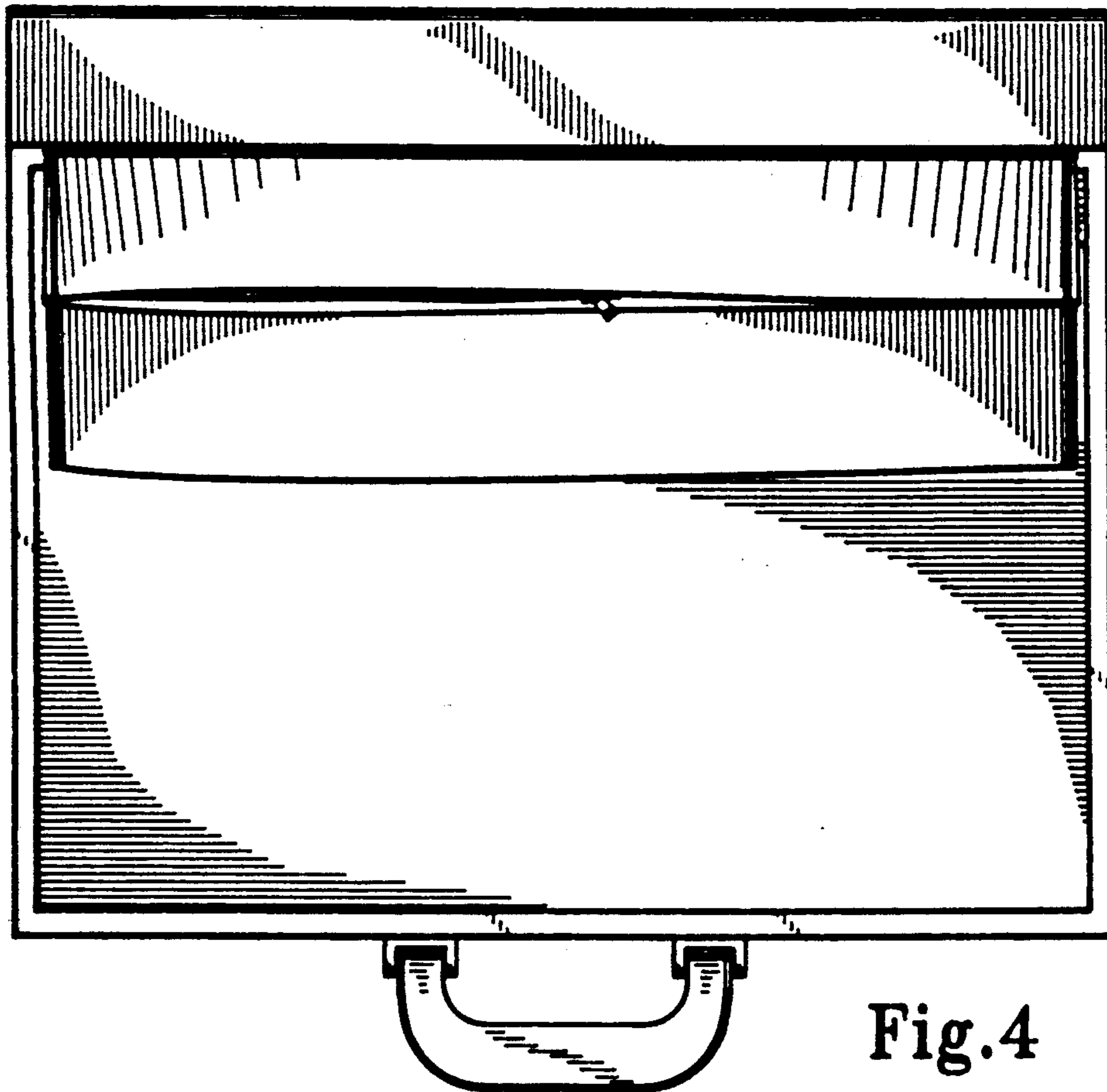


Fig. 4

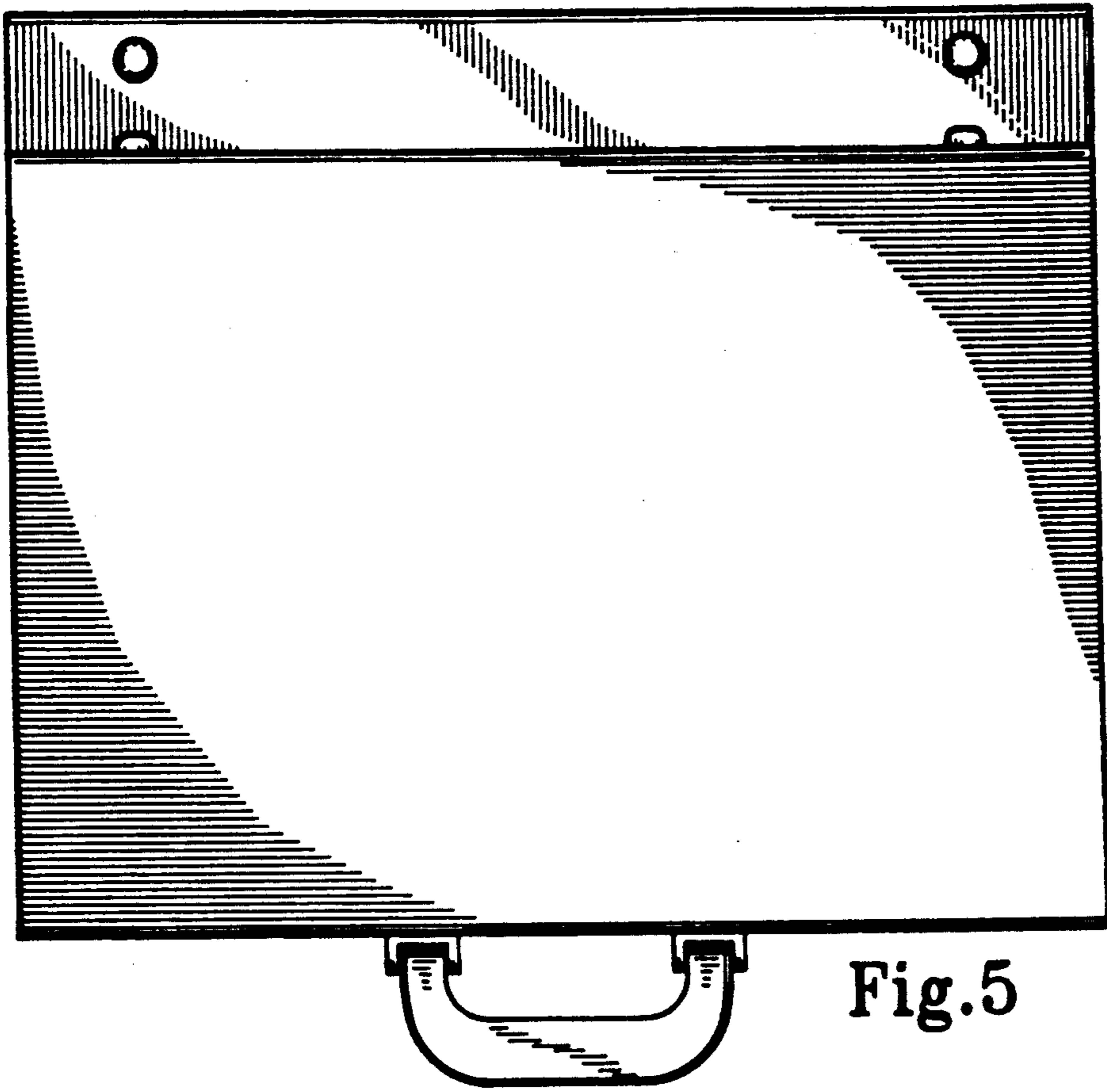


Fig.5

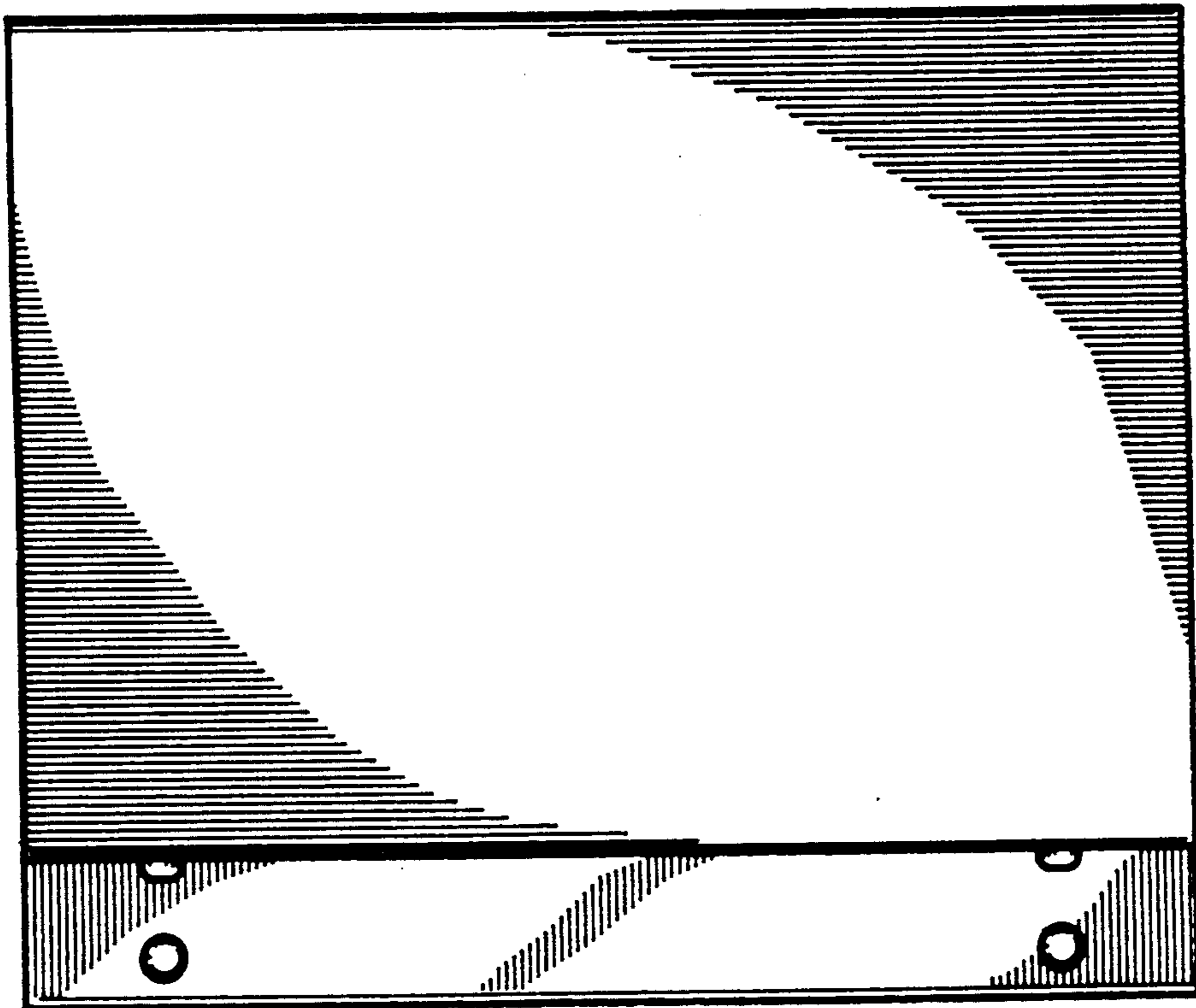


Fig.6