



US00D343717S

# United States Patent [19]

Nakajima et al.

[11] Patent Number: Des. 343,717

[45] Date of Patent: \*\* Jan. 25, 1994

[54] COIN DISPENSER

[75] Inventors: **Kenji Nakajima**, 258-6, Nishiwada, Ogose-machi, Iruma-gun, Saitama-ken; **Kenji Nishiumi**, 1-3-31-205, Asabano, Sakado-shi, Saitama-ken, both of Japan

[73] Assignees: **Kenji Nakajima; Kenji Nishiumi**, both of Japan

[\*\*] Term: 14 Years

[21] Appl. No.: 652,093

[22] Filed: Feb. 7, 1991

[30] Foreign Application Priority Data

Aug. 13, 1990 [JP] Japan ..... 2-27465  
[52] U.S. Cl. .... D99/34  
[58] Field of Search ..... 194/334, 200; 453/56, 453/40; D99/34

[56] References Cited

U.S. PATENT DOCUMENTS

4,535,794 8/1985 Bellis et al. .... 453/56  
5,021,026 6/1991 Goi ..... 453/40

*Primary Examiner*—Alan P. Douglas  
*Assistant Examiner*—J. H. Musgrove  
*Attorney, Agent, or Firm*—Welsh & Katz, Ltd.

[57] CLAIM

The ornamental design for a coin dispenser, as shown and described.

DESCRIPTION

FIG. 1 is a top plan view of a coin dispenser showing the new design;  
FIG. 2 is a left side view of the subject invention;  
FIG. 3 is a front view of the subject invention;  
FIG. 4 is a right side view of the subject invention;  
FIG. 5 is a rear view of the subject invention;  
FIG. 6 is a bottom plan view of the subject invention.  
FIG. 7 is rear perspective view of the subject invention; and,  
FIG. 8 is a front perspective view of the subject invention.

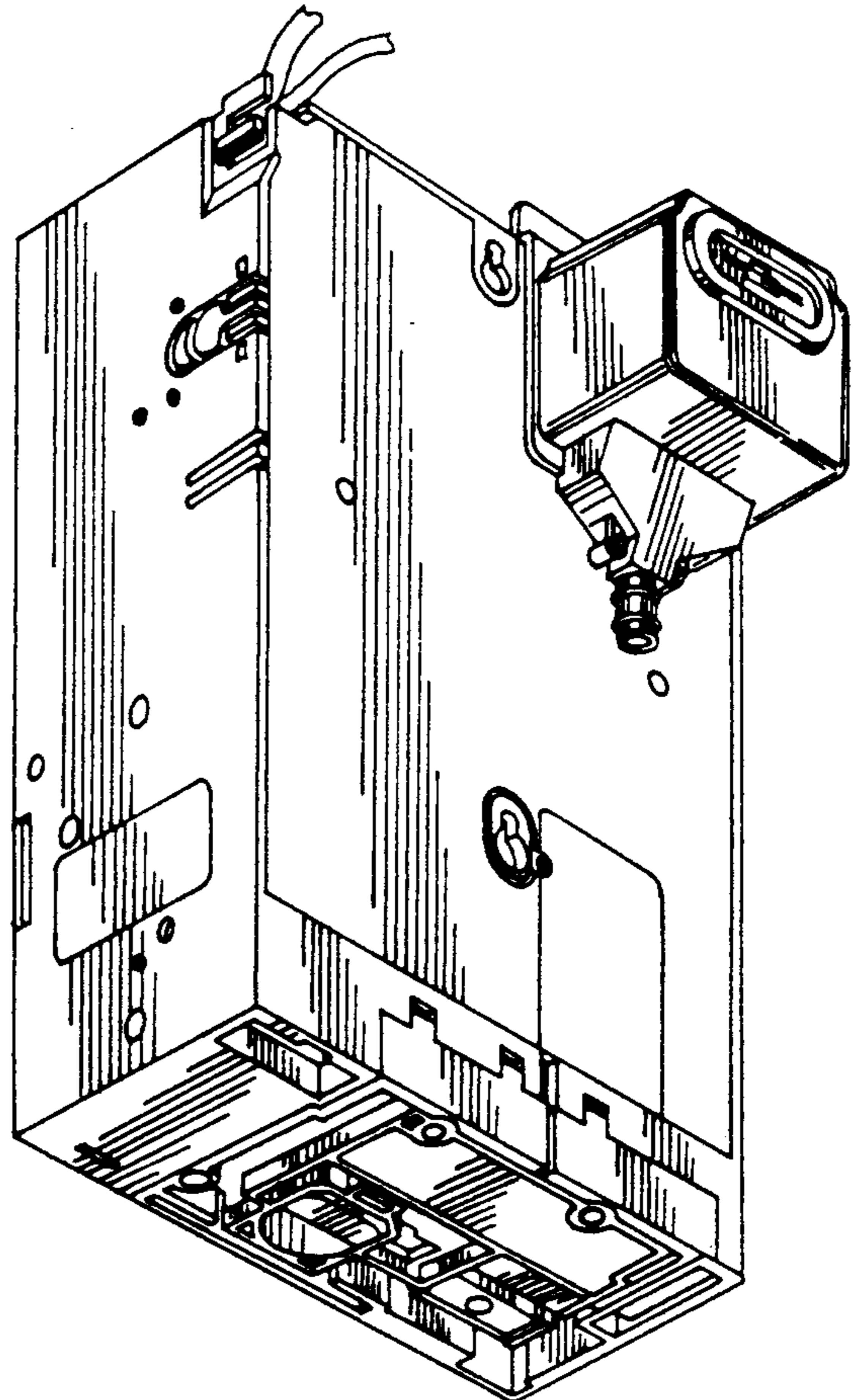
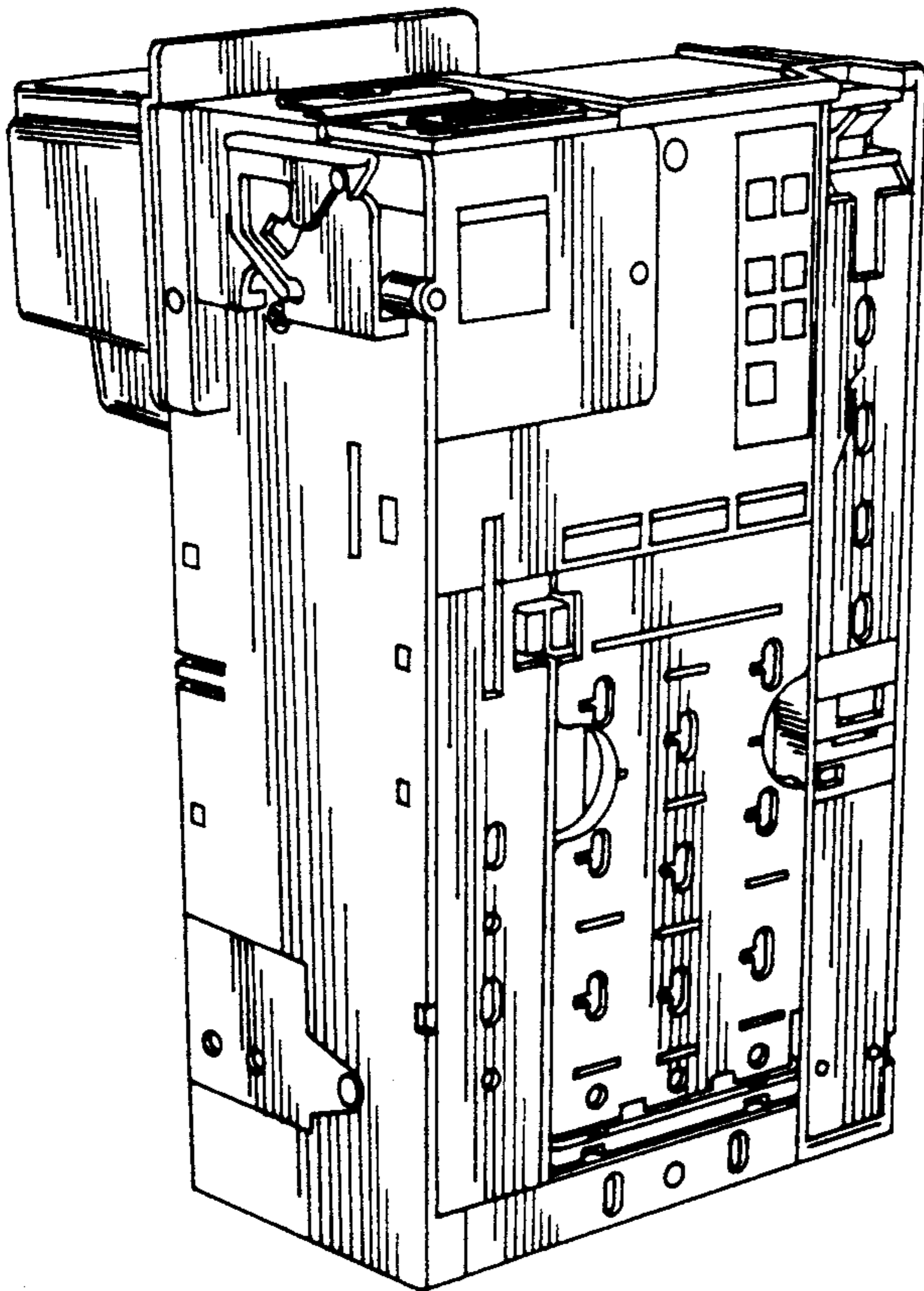


FIG. 1

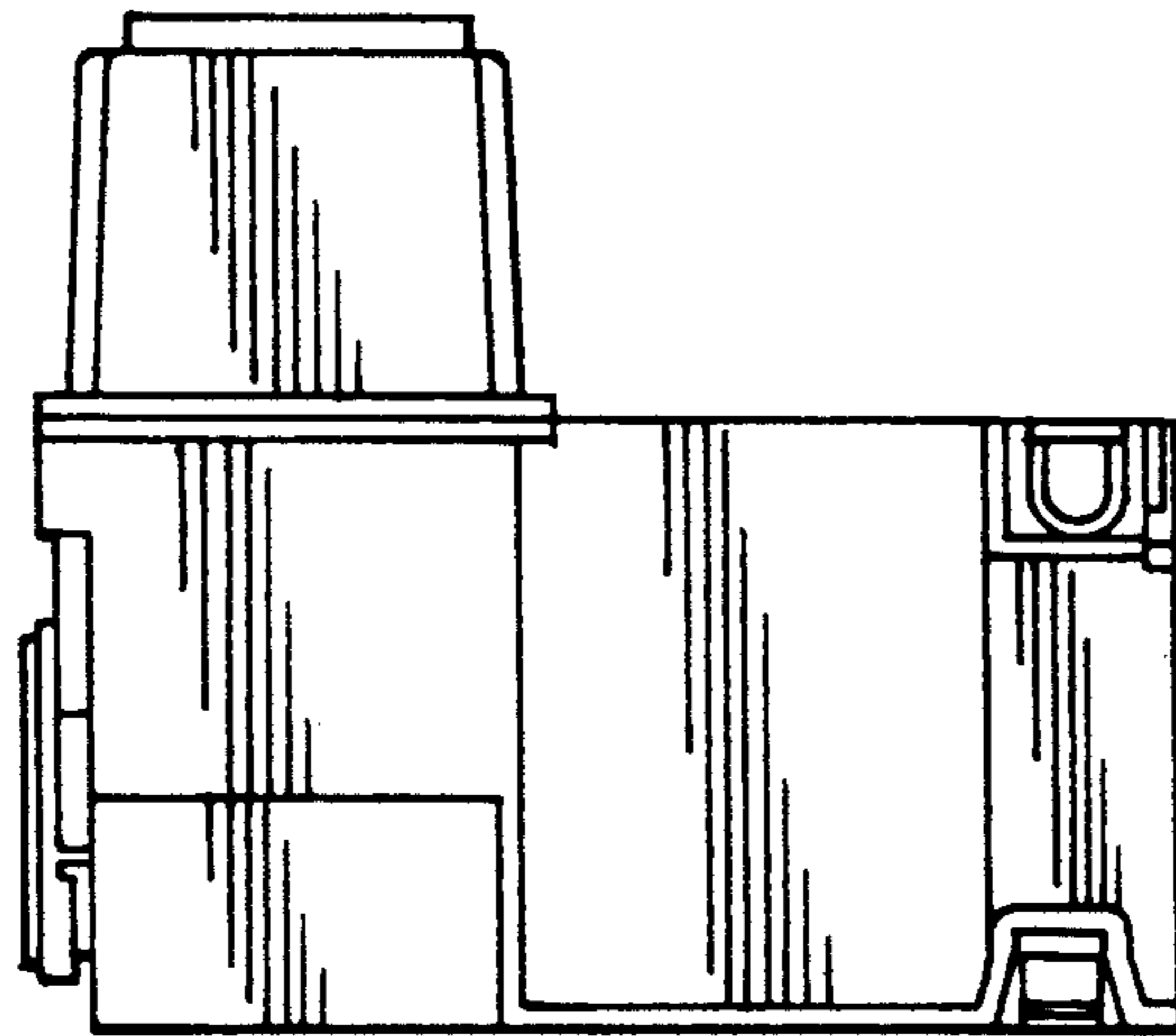


FIG. 2

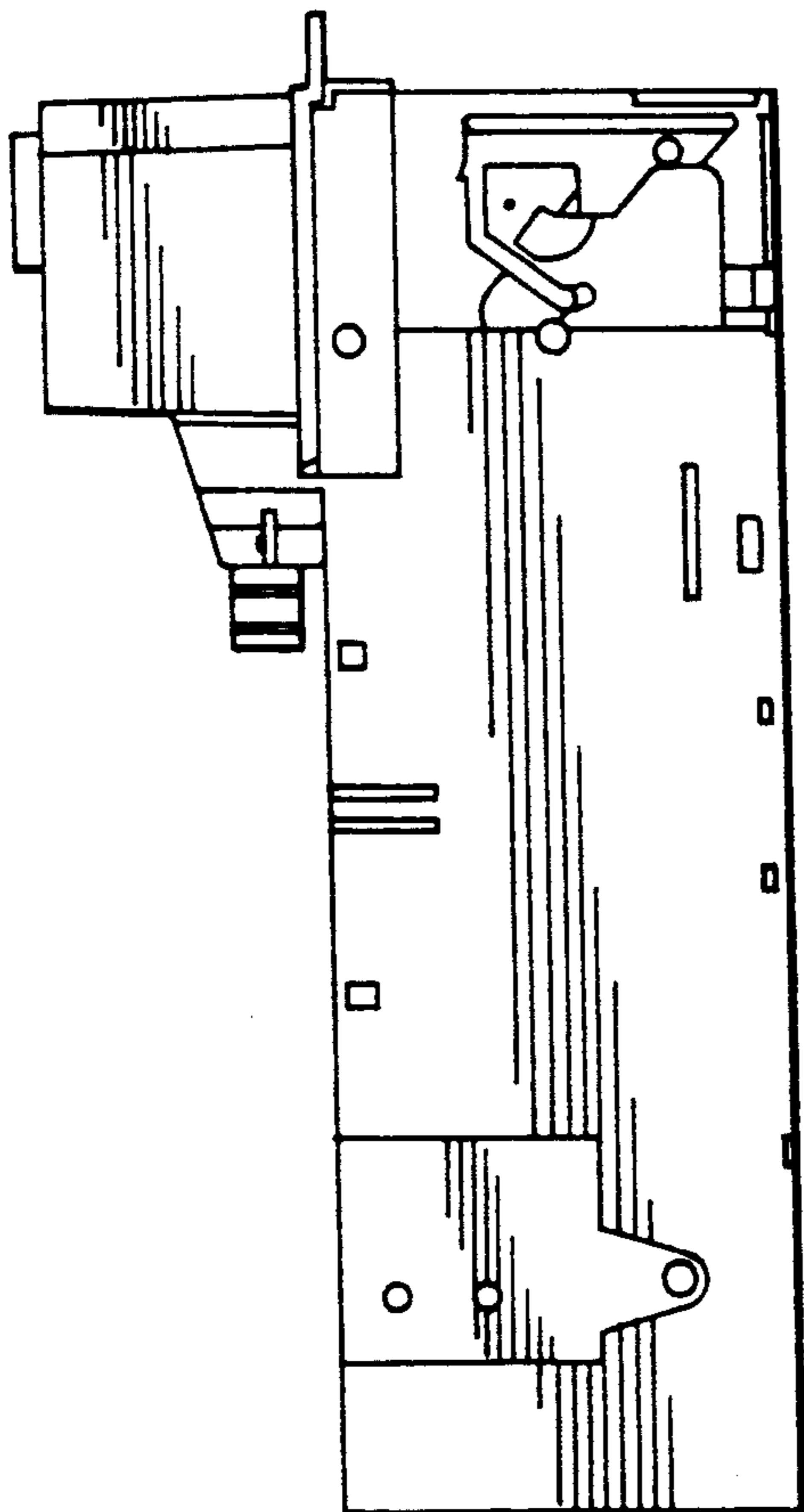


FIG. 3

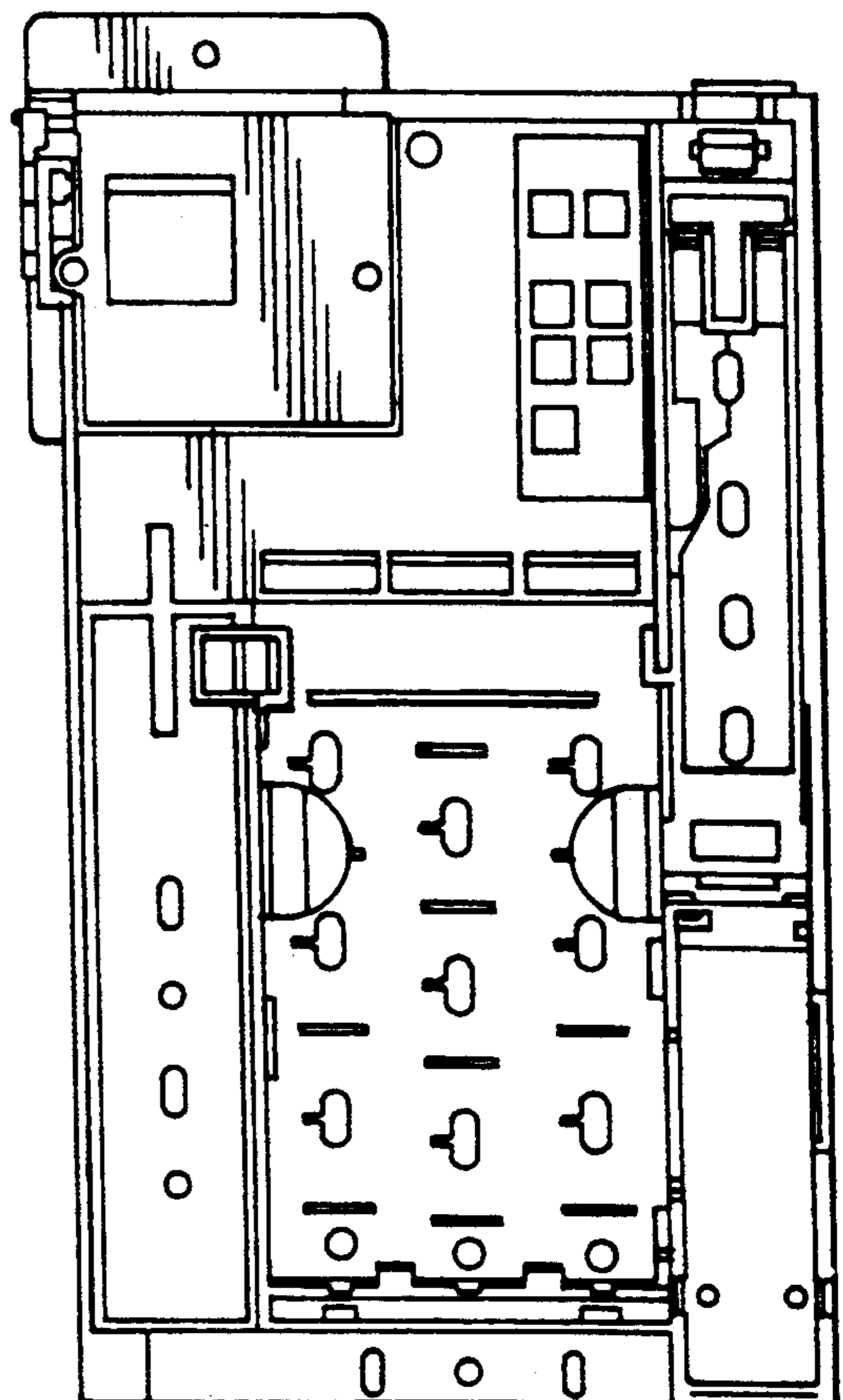


FIG.4

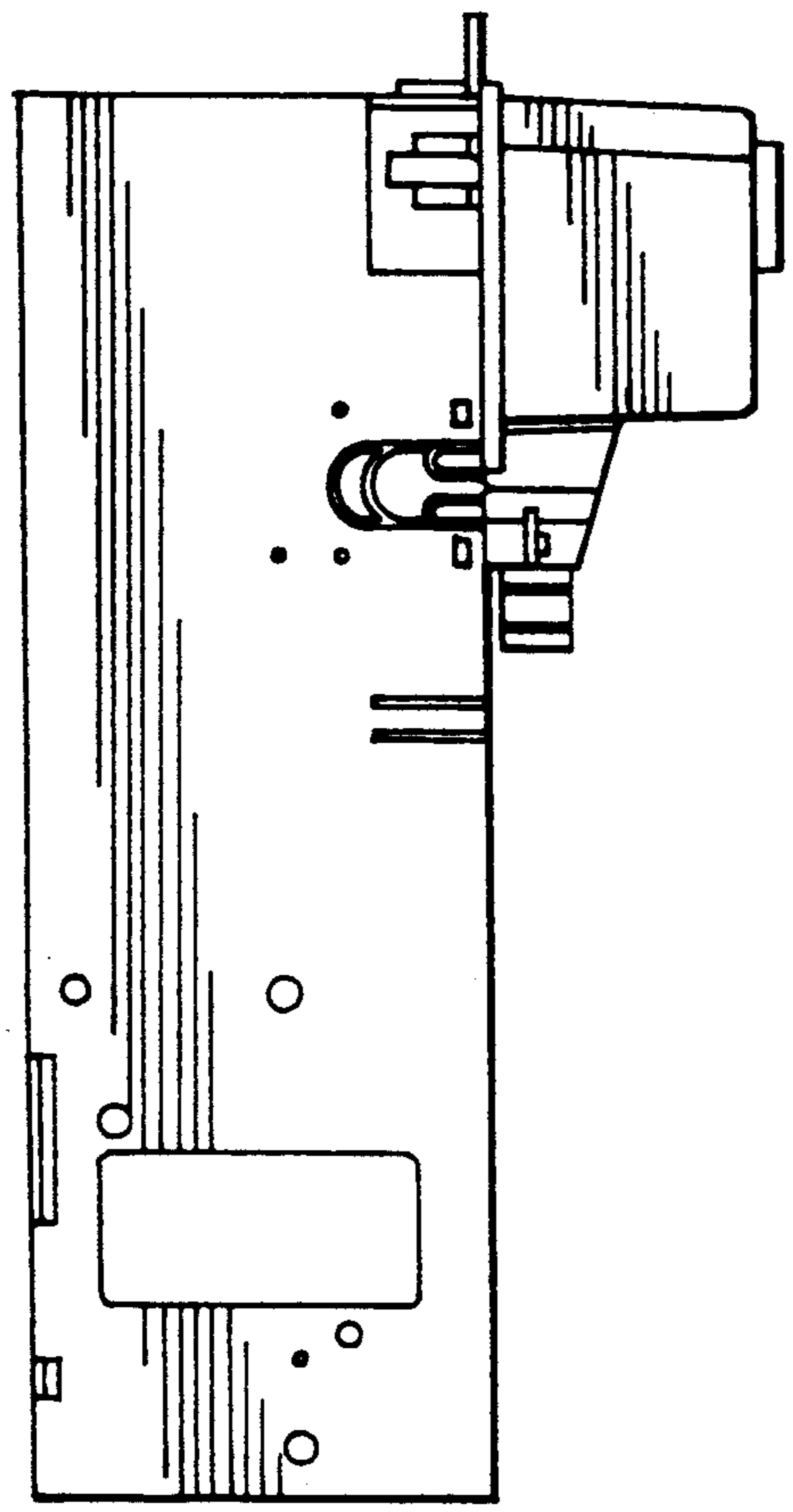


FIG.5

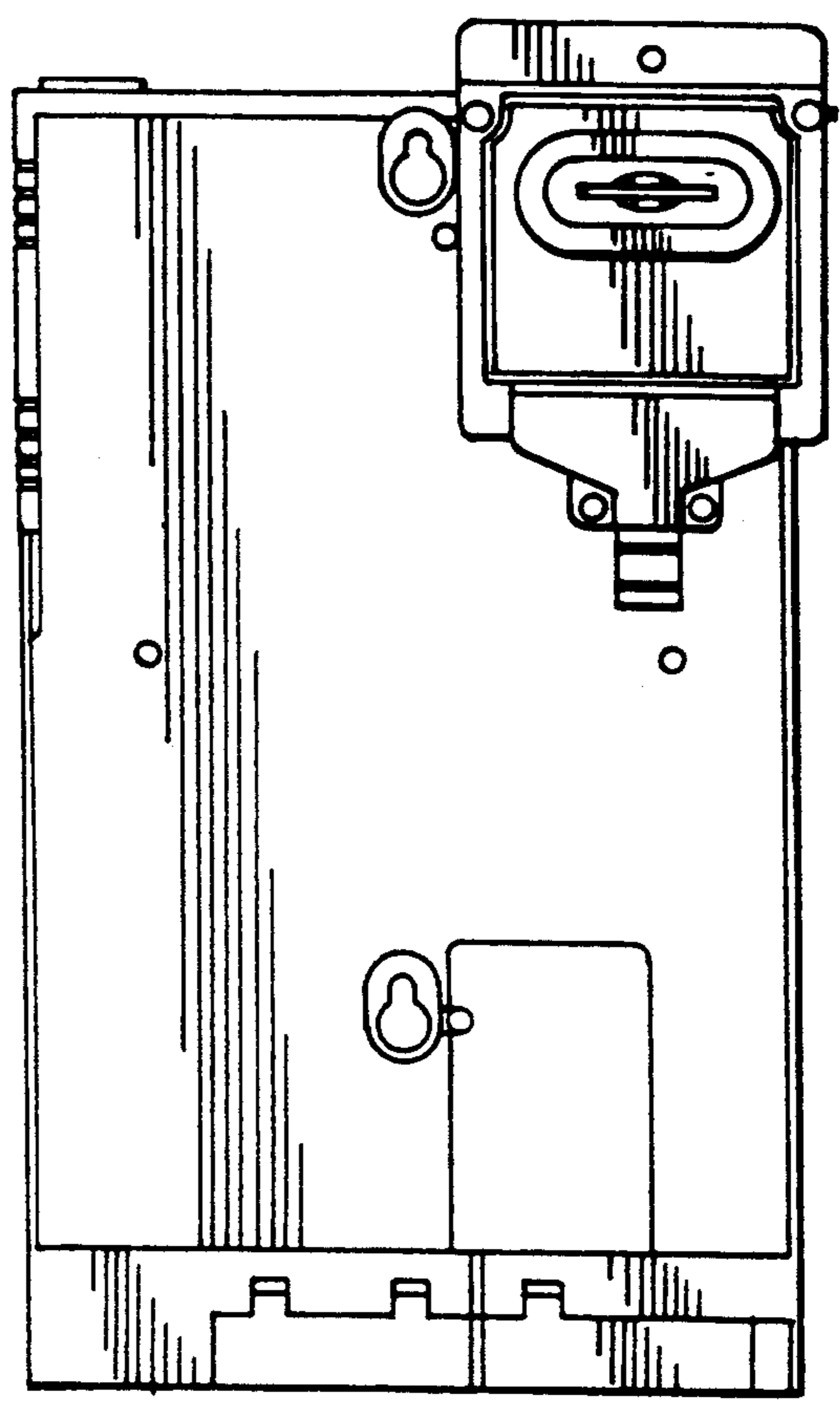
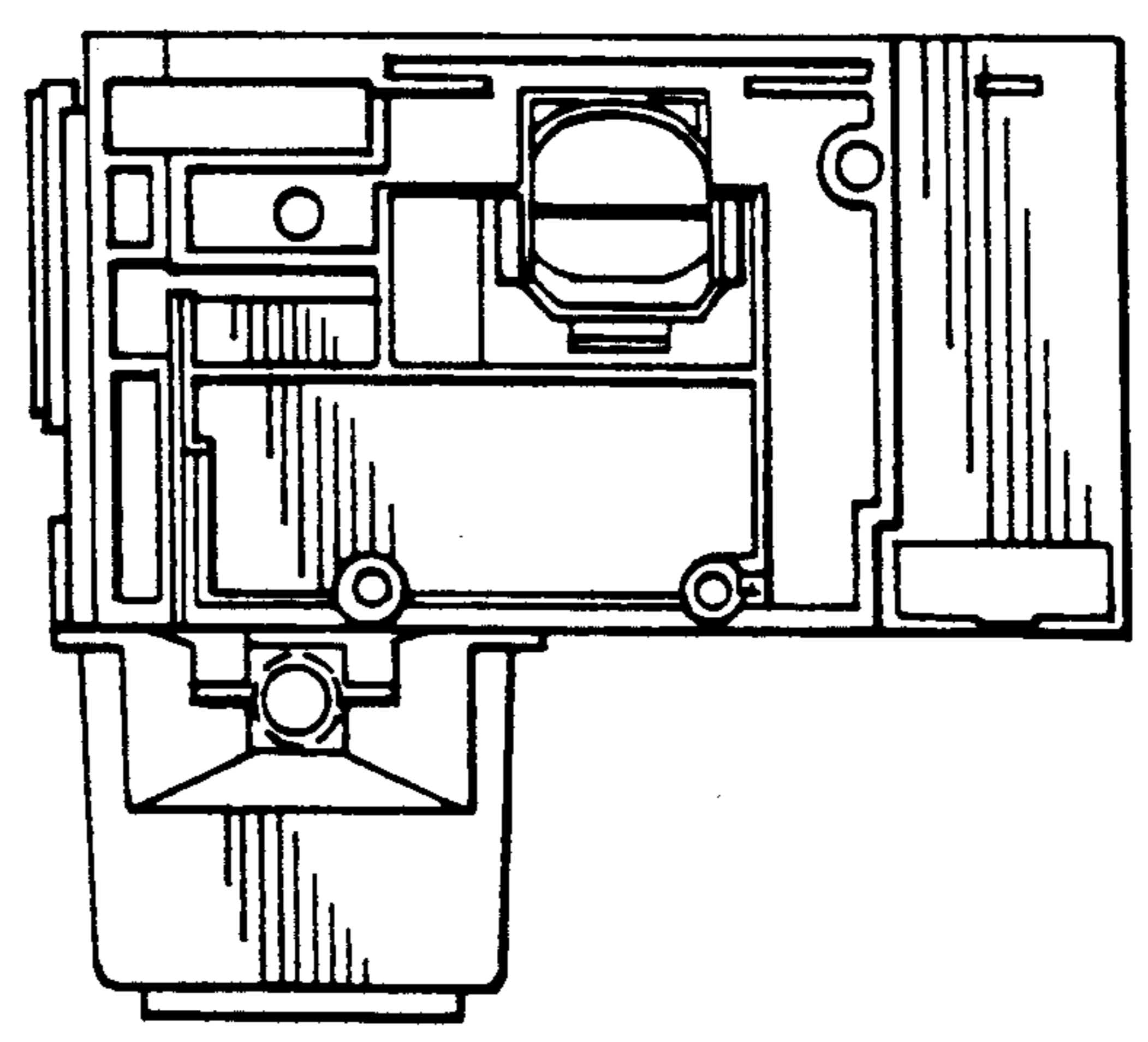


FIG.6





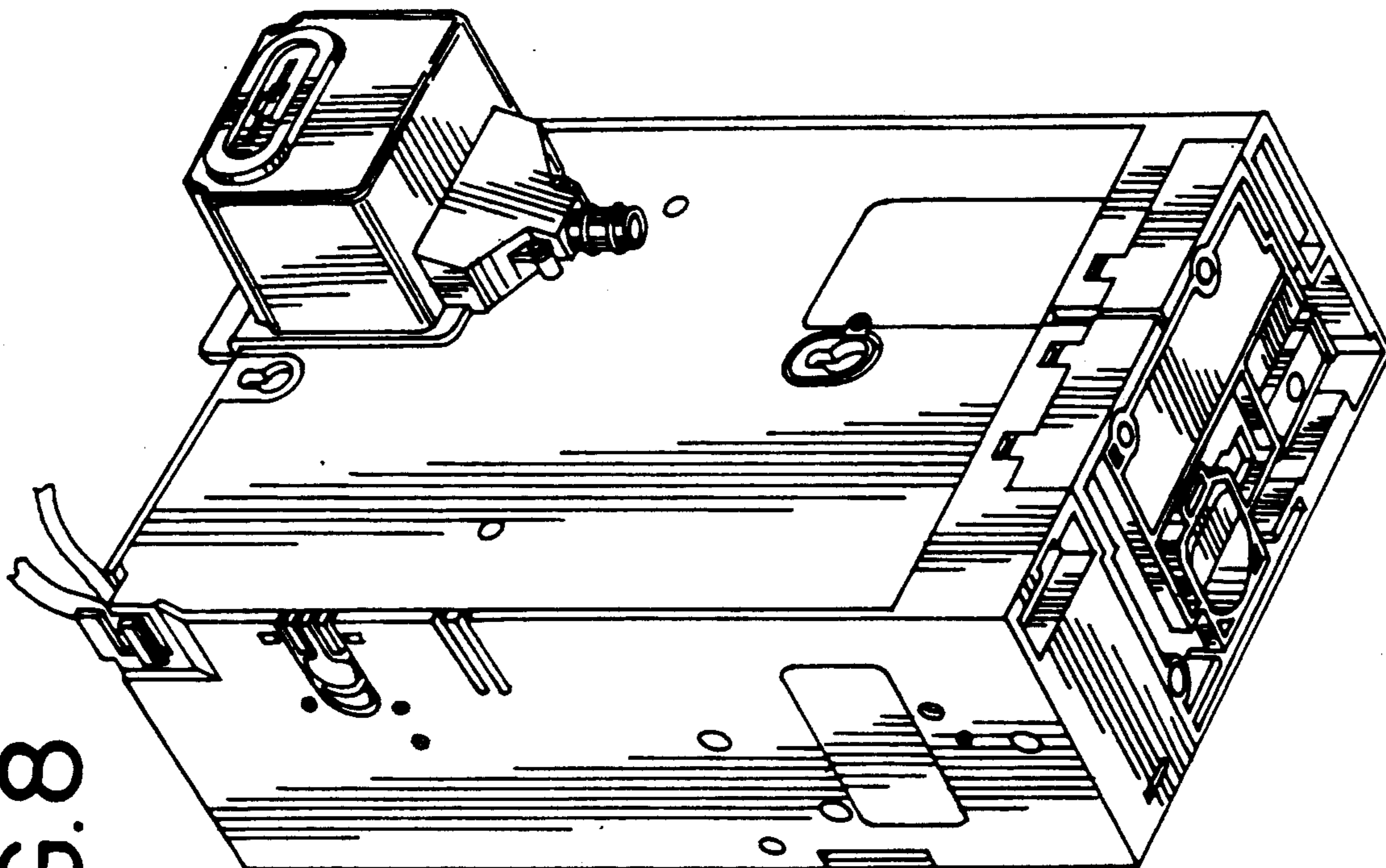


FIG. 8

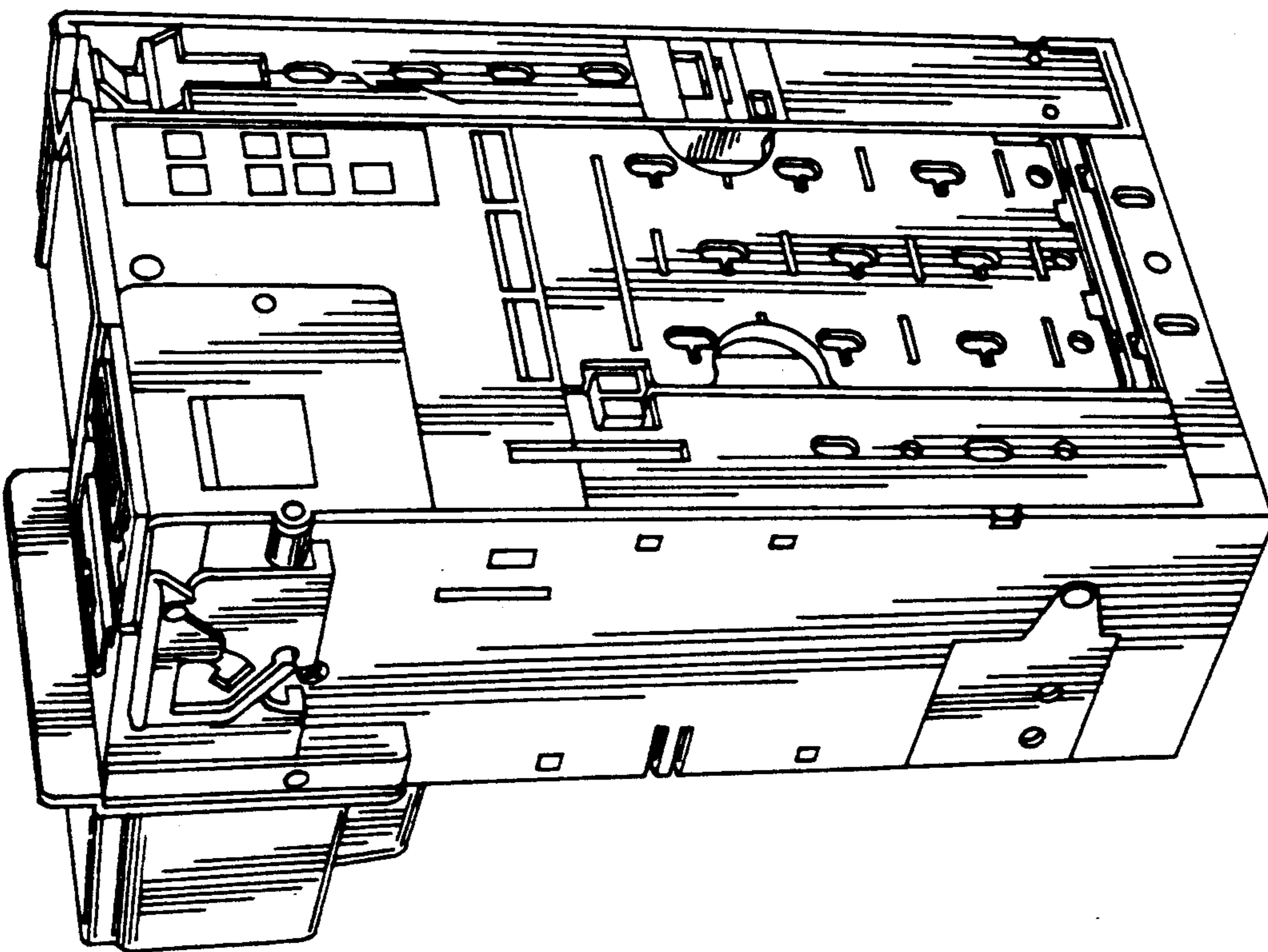


FIG. 7

UNITED STATES PATENT AND TRADEMARK OFFICE  
**CERTIFICATE OF CORRECTION**

PATENT NO. : Des. 343,717  
DATED : Jan. 25, 1994  
INVENTOR(S) : Kenji Nakajima  
Kenji Nishiumi

It is certified that error appears in the above-identified patent and that said Letters Patent is hereby corrected as shown below:

On the title page" Item [73]

Assignee's name should read --Kabushiki Kaisha Nippon  
Conlux, Tokyo Japan--.

Signed and Sealed this  
Tenth Day of January, 1995

Attest:



BRUCE LEHMAN

Attesting Officer

Commissioner of Patents and Trademarks