



US00D343715S

United States Patent [19]

[11] Patent Number: **Des. 343,715**

DeGrazia et al.

[45] Date of Patent: **** Jan. 25, 1994**

[54] **WATERPROOF AND AIRTIGHT CASKET**

3,681,820	8/1972	Jalbert	27/7
4,102,098	7/1978	Duwe et al.	27/1
4,351,091	9/1982	Goodkin	27/22

[76] Inventors: **Emil DeGrazia; Joy C. DeGrazia**, both of R.R. #2 Box 399, Highland Lakes, N.J. 07422

Primary Examiner—Alan P. Douglas
Assistant Examiner—Jeff Musgrove
Attorney, Agent, or Firm—Terry M. Gernstein

[**] Term: **14 Years**

[21] Appl. No.: **903,559**

[57] **CLAIM**

[22] Filed: **Jun. 25, 1992**

The ornamental design for a waterproof and airtight casket, as shown and described.

[52] U.S. Cl. **D99/1**

[58] Field of Search 27/1-5,
27/8, 14, 16; D99/1-4

DESCRIPTION

[56] **References Cited**

U.S. PATENT DOCUMENTS

D. 242,153	11/1976	Acton	D99/1
D. 286,207	10/1986	Colliver	D99/1
D. 292,839	11/1987	Brogdon	D99/1
D. 309,033	7/1990	Mohr	D99/1
1,833,959	12/1931	Wells	D99/1 X
3,581,452	6/1971	Jalbert	27/7

FIG. 1 is a top, end and front perspective view of the waterproof and airtight casket showing my new design in an open condition;

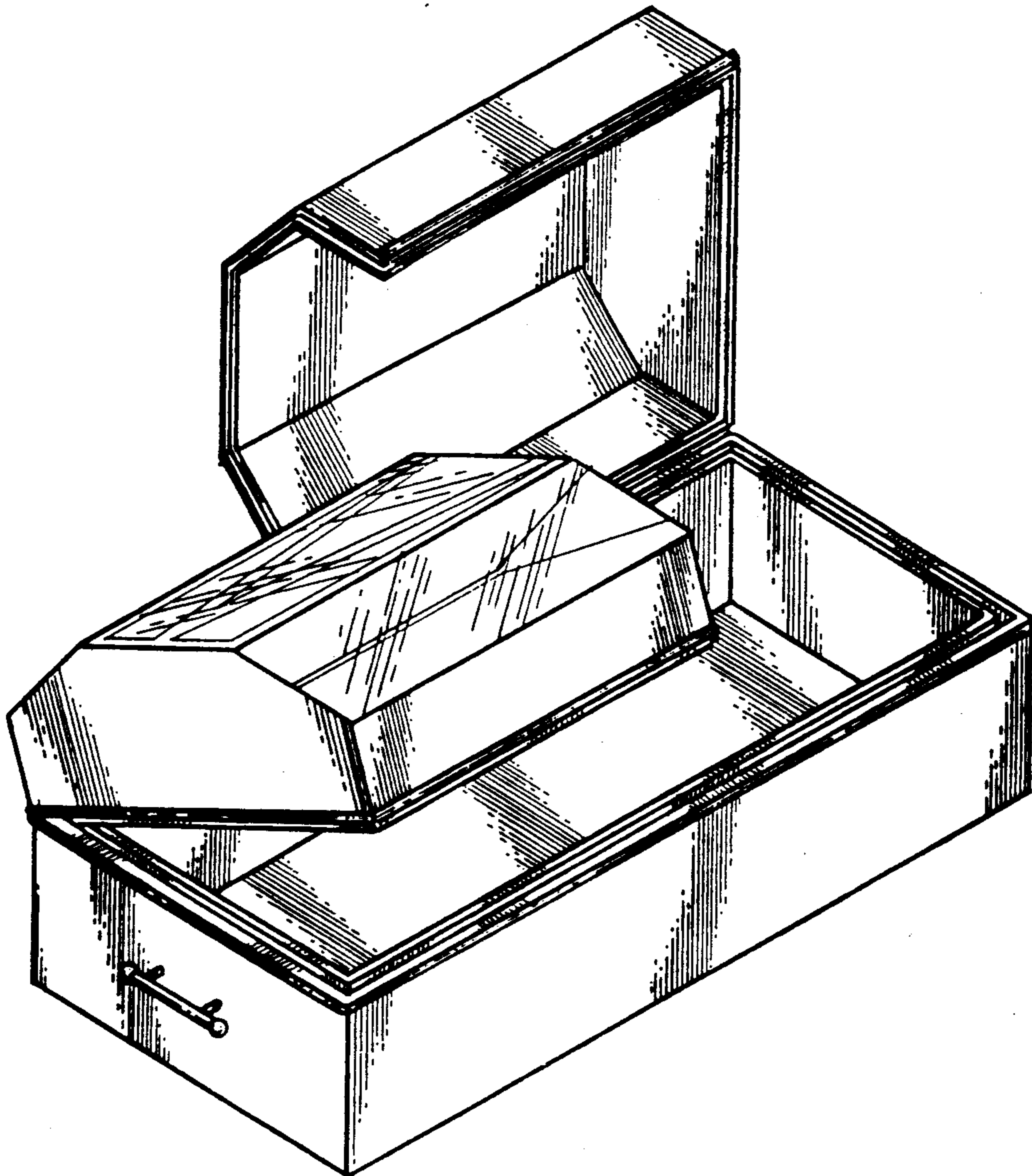
FIG. 2 is an end elevational view thereof, the end opposite being a mirror image of the end shown in FIG. 2;

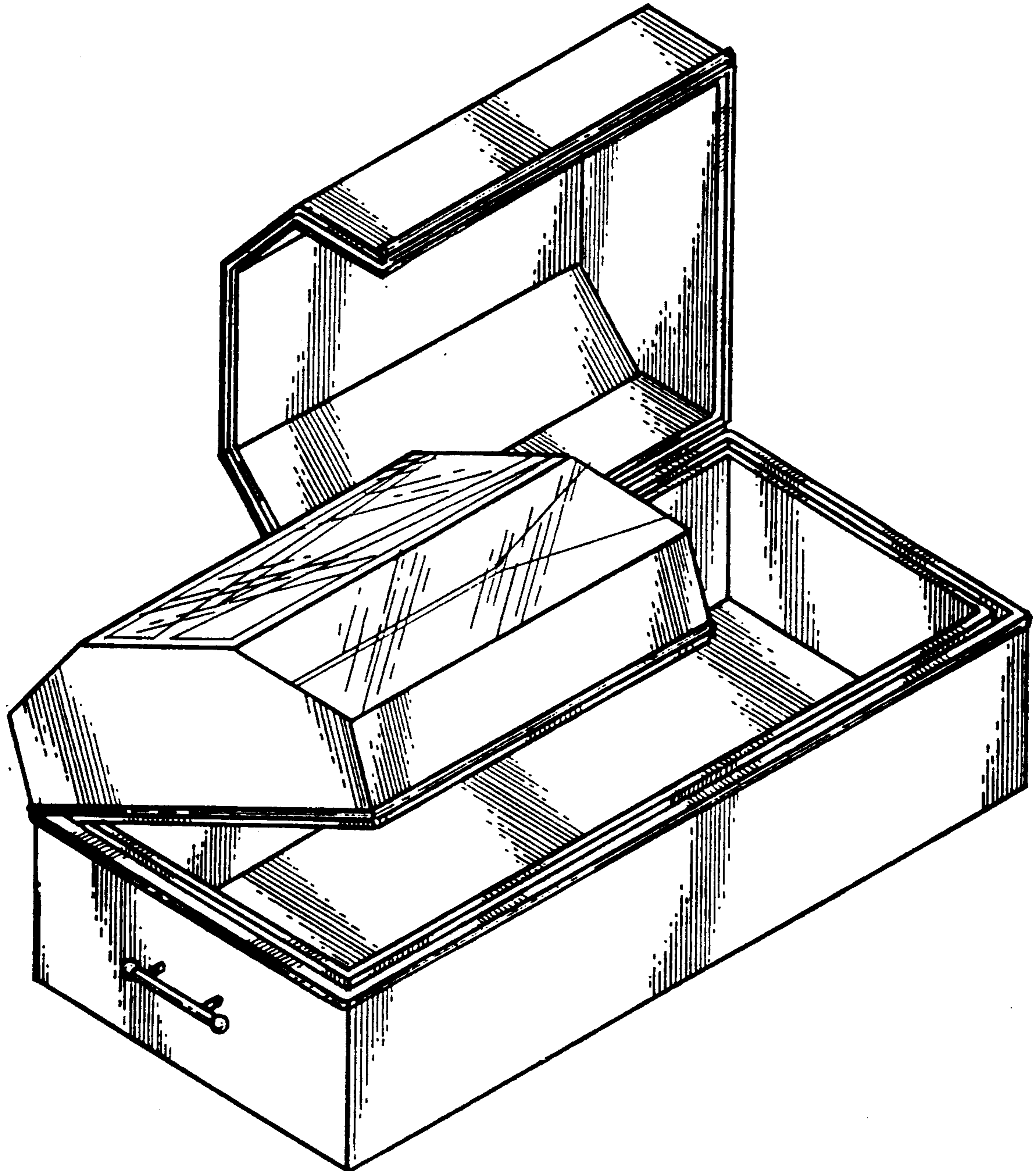
FIG. 3 is a front elevational view thereof;

FIG. 4 is a rear elevational view thereof;

FIG. 5 is a top plan view thereof; and,

FIG. 6 is a bottom plan view thereof.





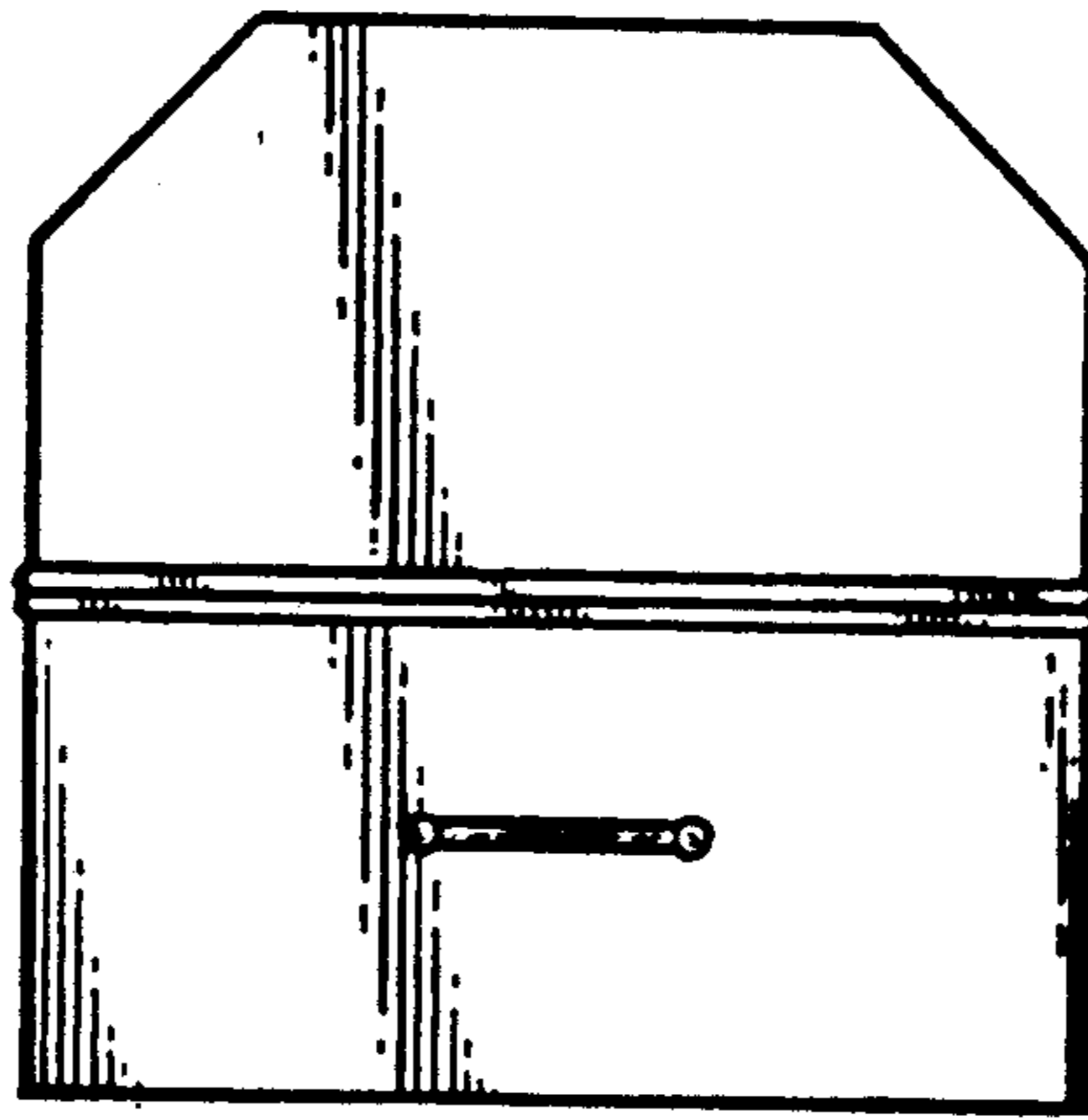


FIG. 2

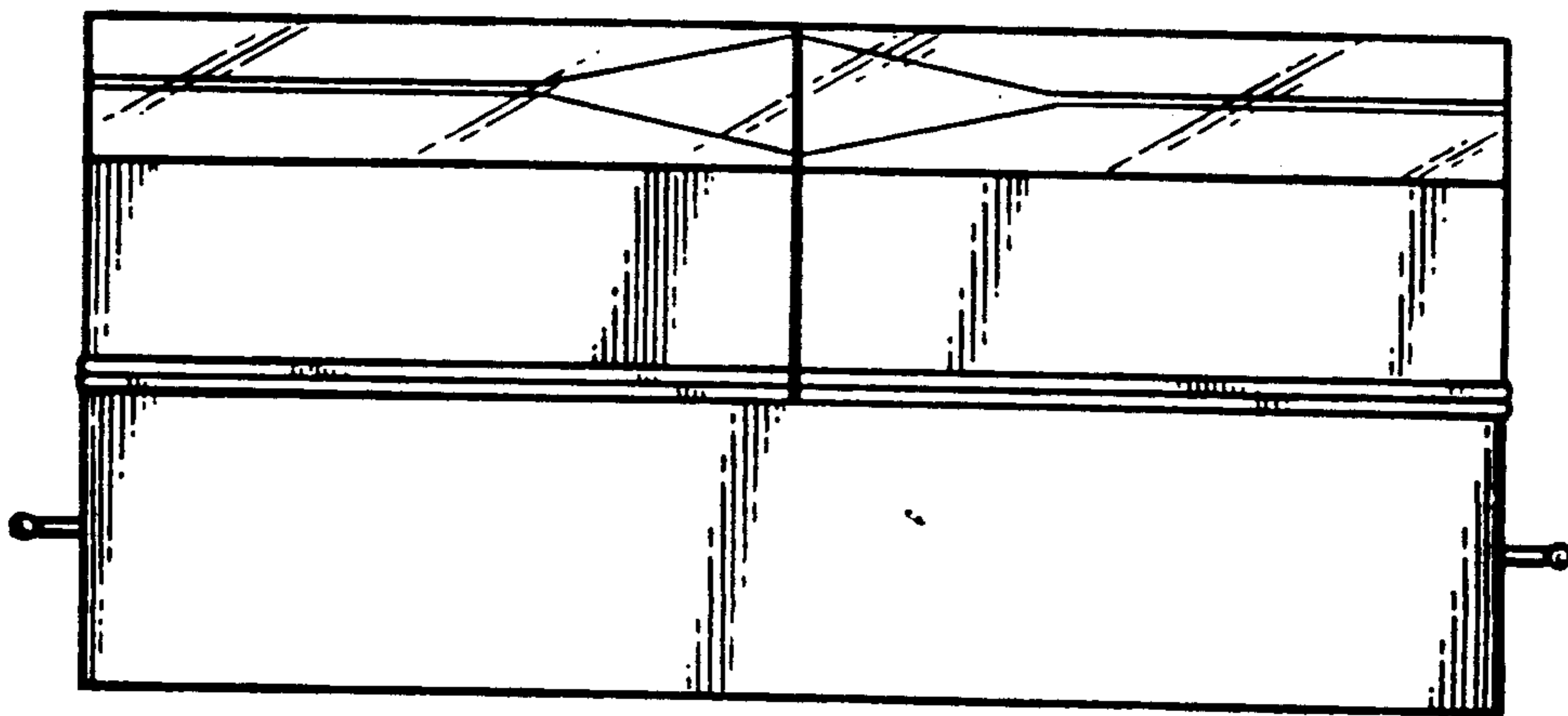


FIG. 3

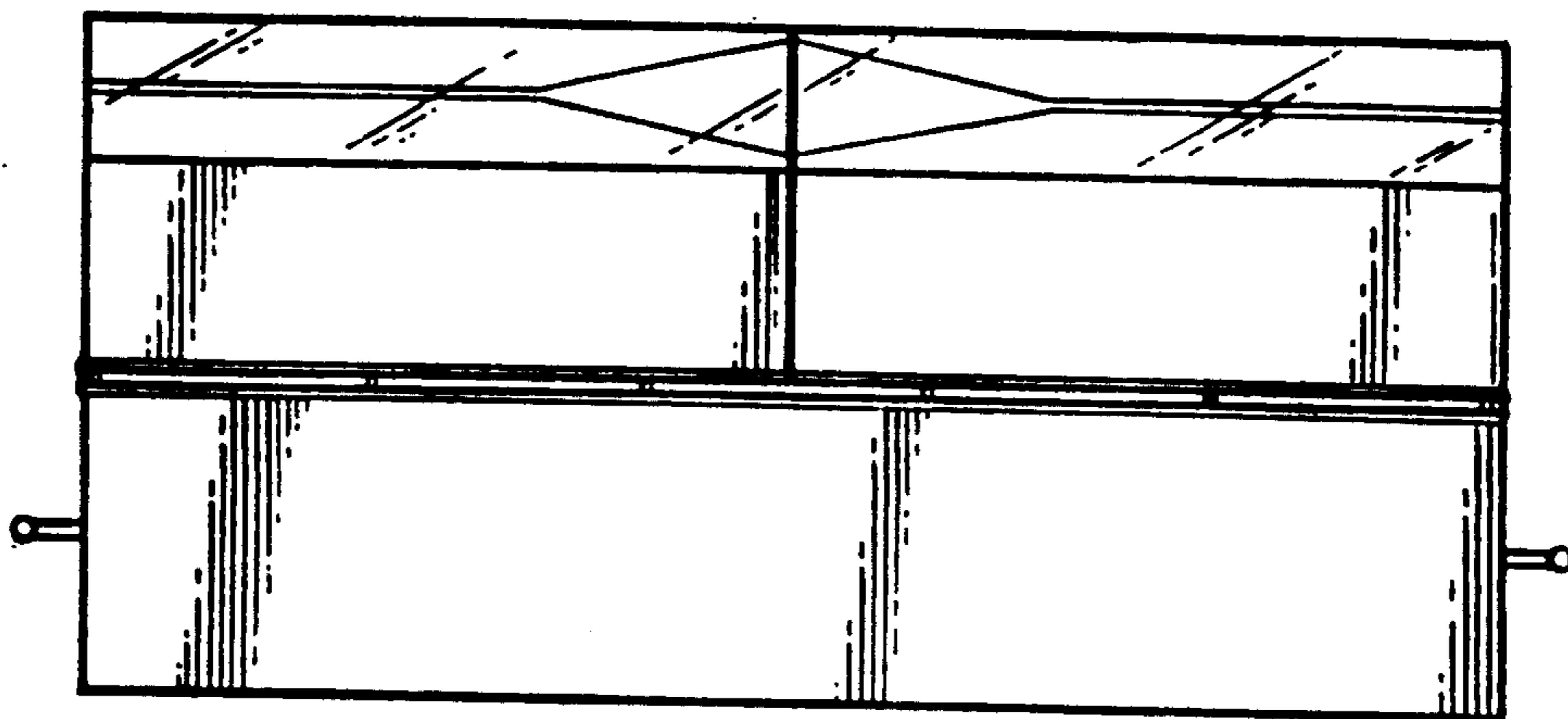


FIG. 4

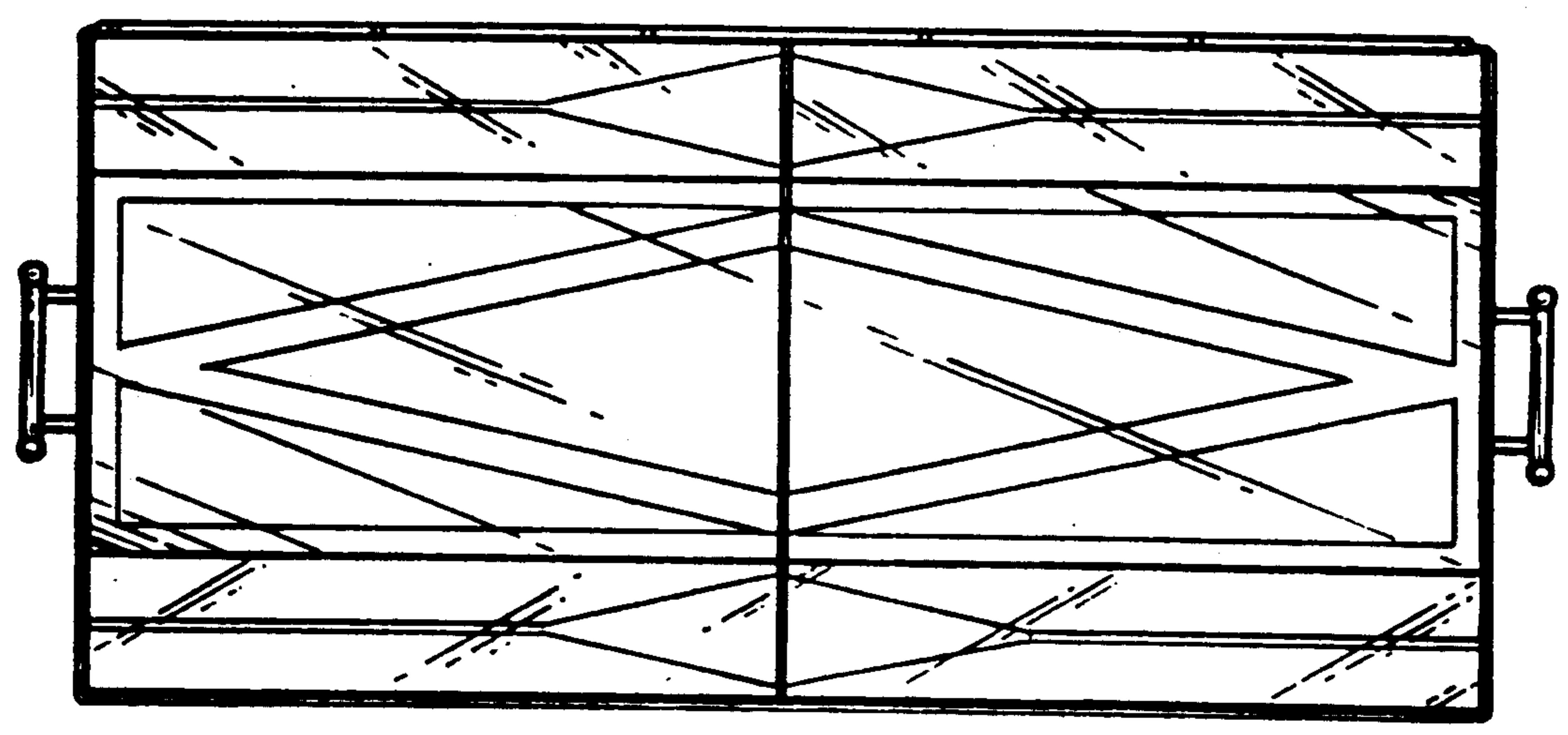


FIG. 5

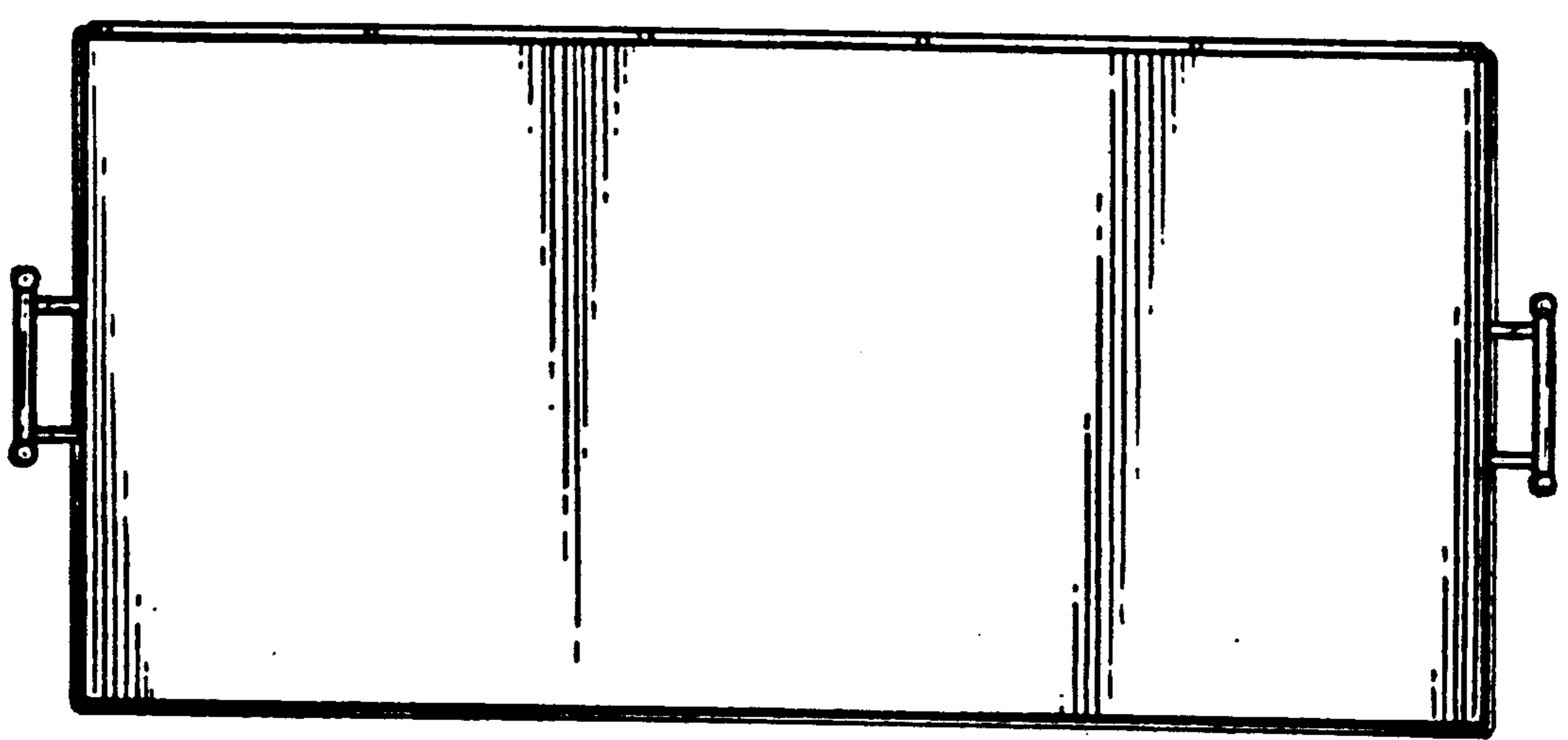


FIG. 6