



US00D343712S

United States Patent [19]

[11] Patent Number: **Des. 343,712**

Linder

[45] Date of Patent: **** Jan. 25, 1994**

[54] **NARROW WIRE BASKET WITH MOUNTING PINS**

2,896,815	7/1959	Longan	206/513 X
2,923,428	2/1960	Averill	206/513 X
3,606,022	9/1971	Beesley, Jr.	211/181 X
4,694,966	9/1987	Sorenson et al.	211/181 X

[75] Inventor: **Steven E. Linder, Portland, Oreg.**

[73] Assignee: **Anthro Corporation, Portland, Oreg.**

[**] Term: **14 Years**

Primary Examiner—Prabhakar G. Deshmukh
Attorney, Agent, or Firm—Stoel Rives Boley Jones & Grey

[21] Appl. No.: **1,950**

[57] **CLAIM**

[22] Filed: **Nov. 24, 1992**

The ornamental design for a narrow wire basket with mounting pins, as shown and described.

[52] U.S. Cl. **D34/42**

[58] Field of Search **D6/458, 462-465, D6/509; 220/485, 487, 489, 491, 494; 206/513, 44 R; 211/181, 71; D34/40, 42**

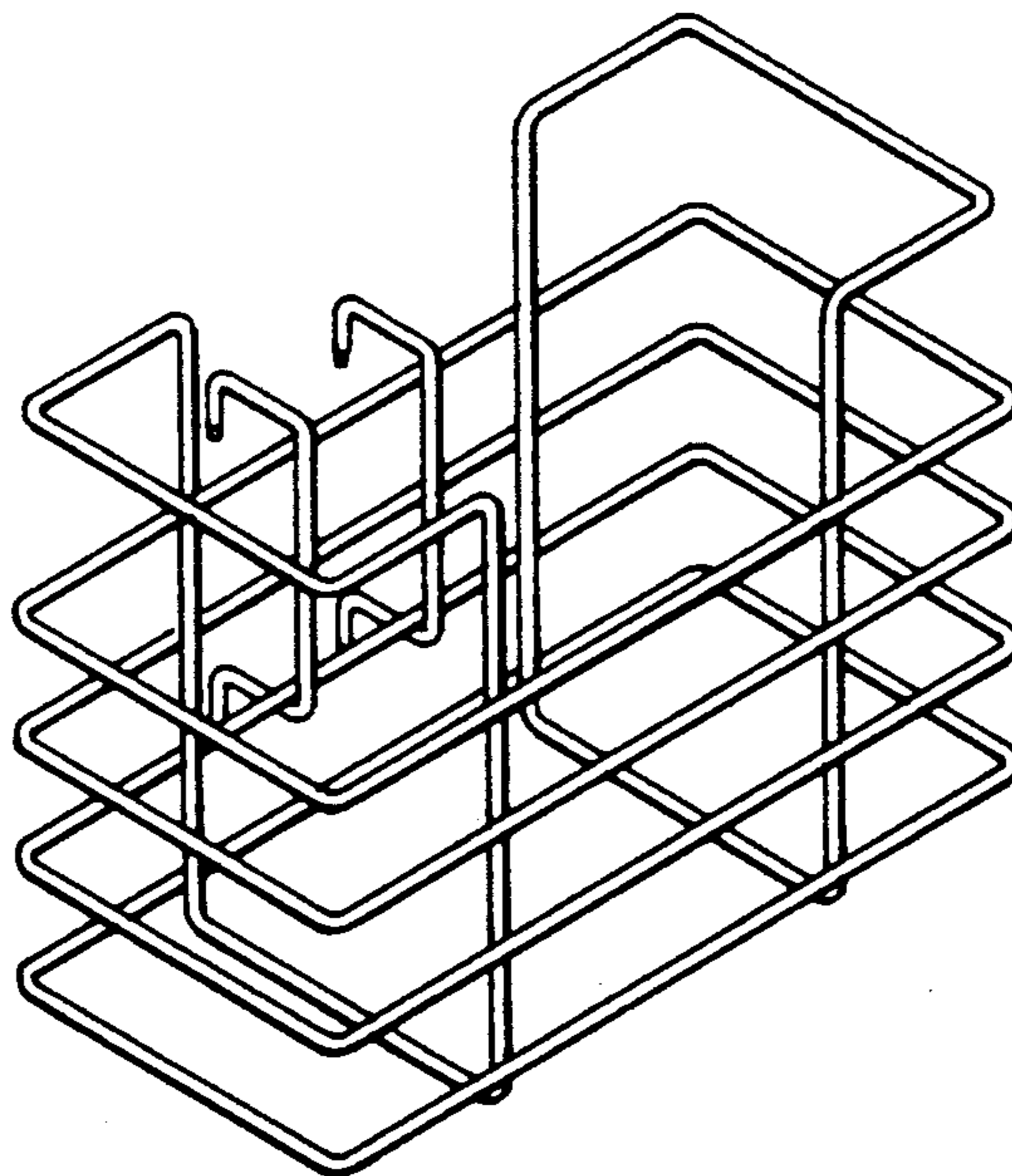
DESCRIPTION

[56] **References Cited**

U.S. PATENT DOCUMENTS

D. 264,761	6/1982	Derkarski	D34/42
D. 296,601	7/1988	Chap	D34/42
D. 326,946	6/1992	Szuster	D34/92
D. 334,307	3/1993	Lee	D34/42
2,662,662	12/1953	Moorhead	206/513 X

FIG. 1 is a perspective view of a narrow wire basket with mounting pins showing my new design; FIG. 2 is a front elevational view thereof; FIG. 3 is rear elevational view thereof; FIG. 4 is a top plan view thereof; FIG. 5 is a bottom plan view thereof; and, FIG. 6 is a right side elevational view thereof; the left side elevational view being a mirror image thereof. The broken line showing of support is for illustrative purpose only and forms no part of the claim.



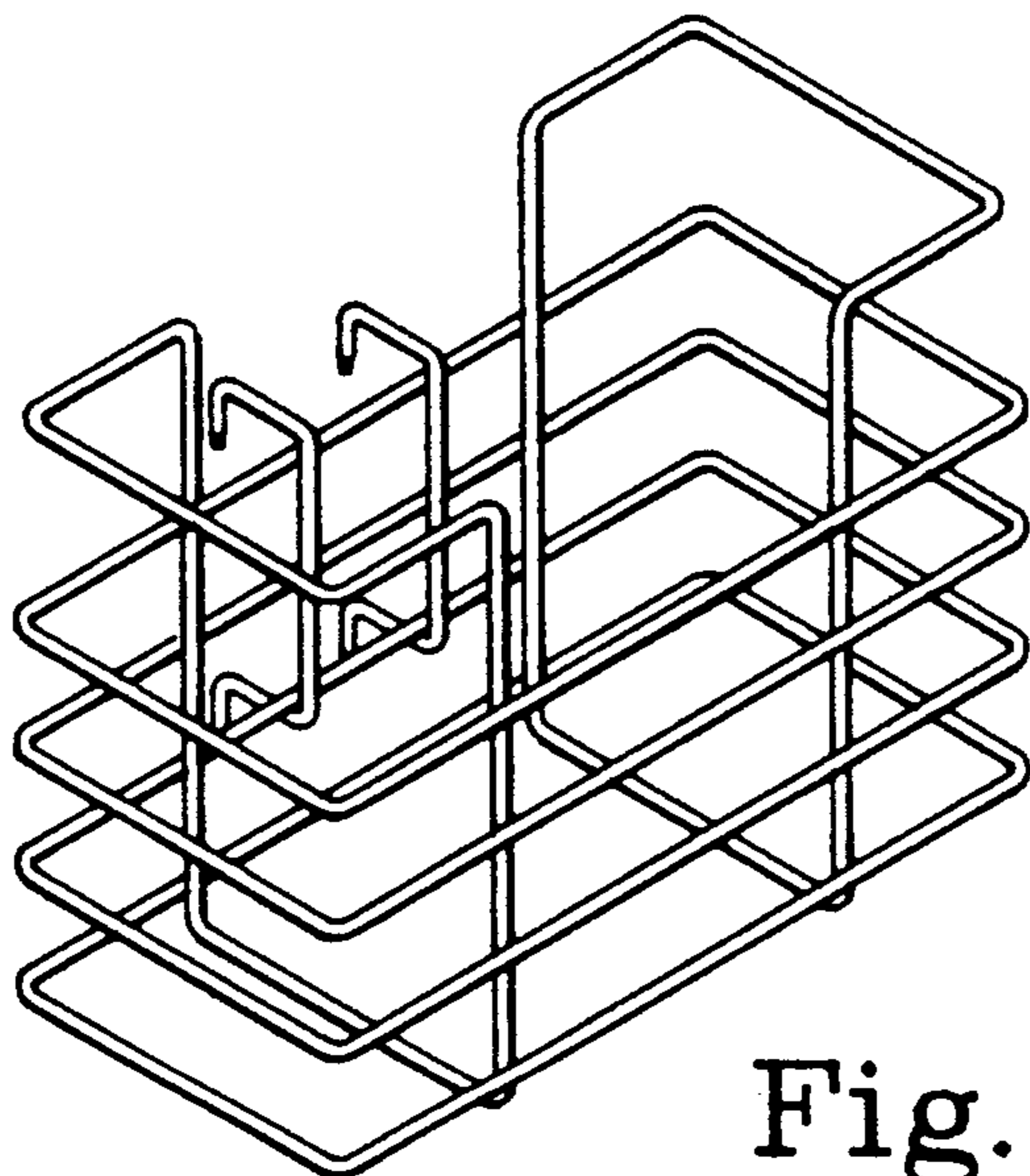


Fig. 1

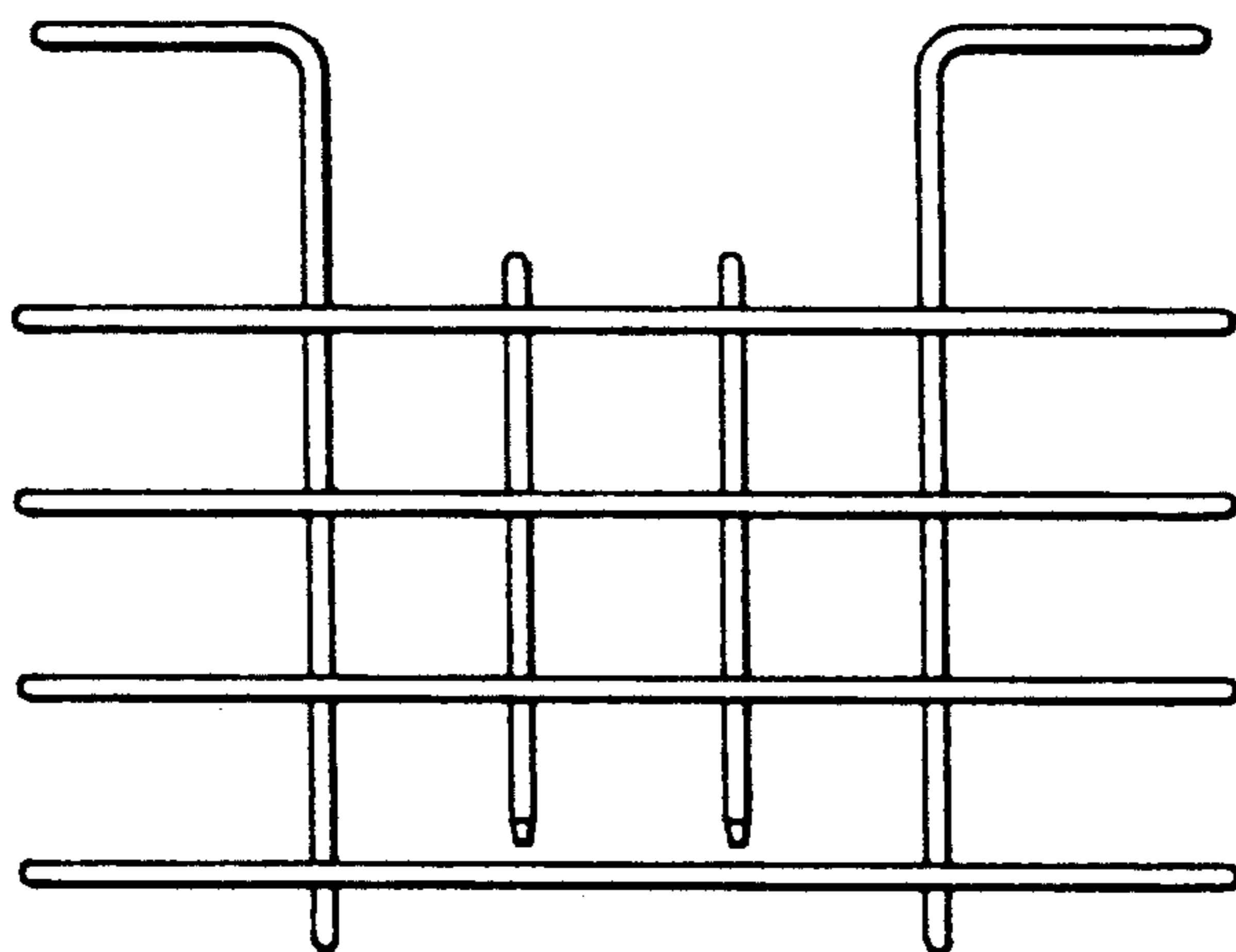


Fig. 2

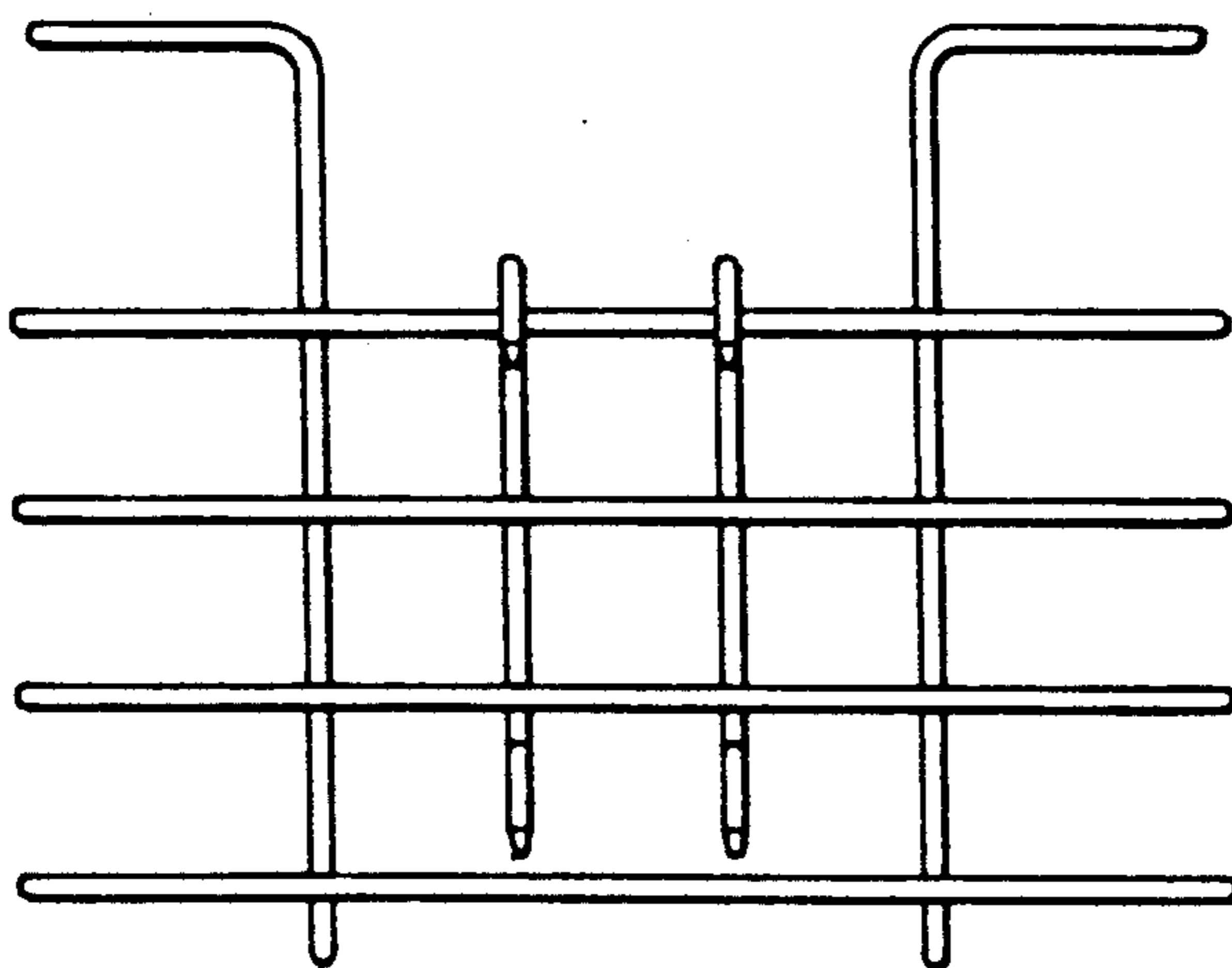


Fig. 3

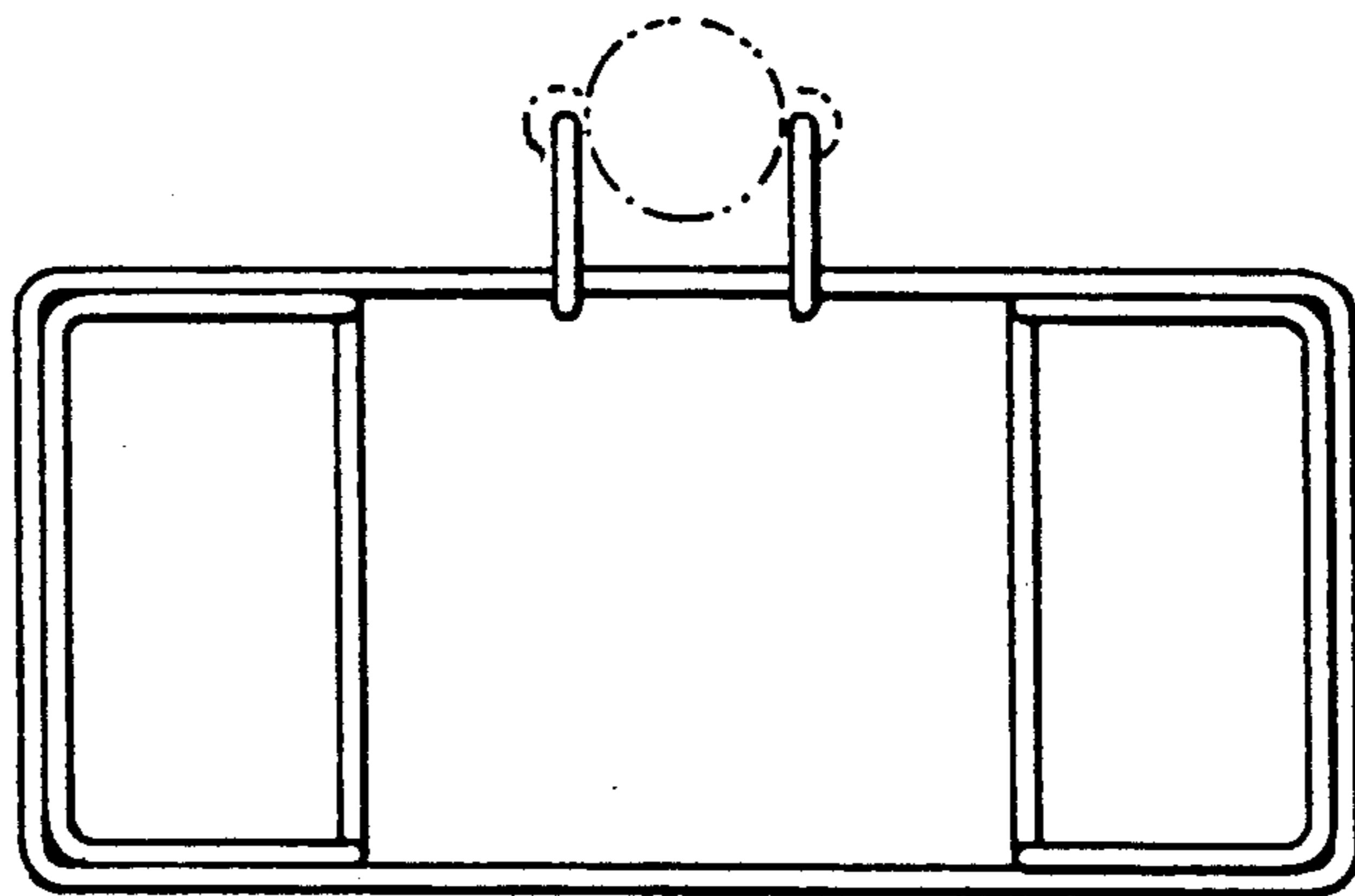


Fig. 4

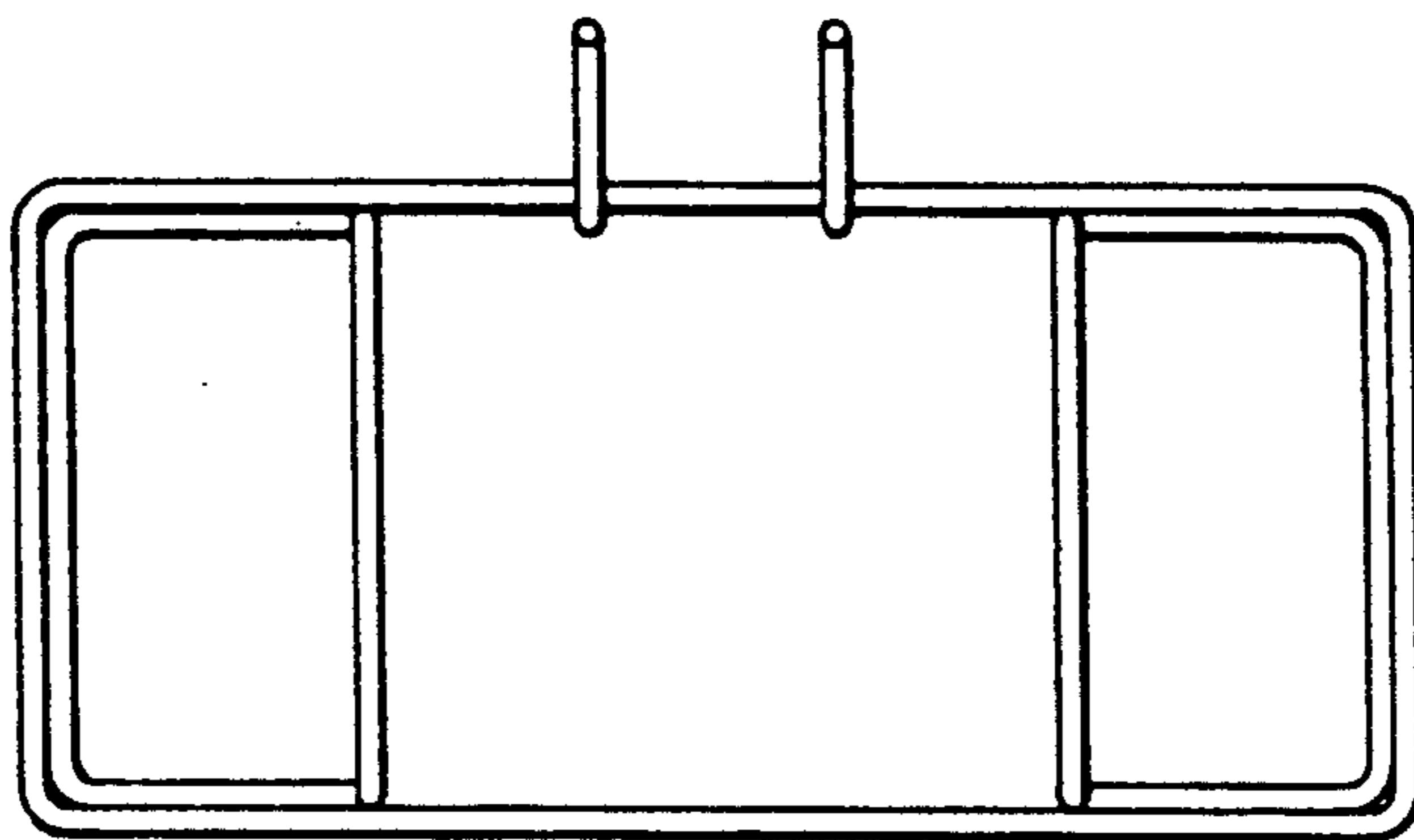


Fig. 5

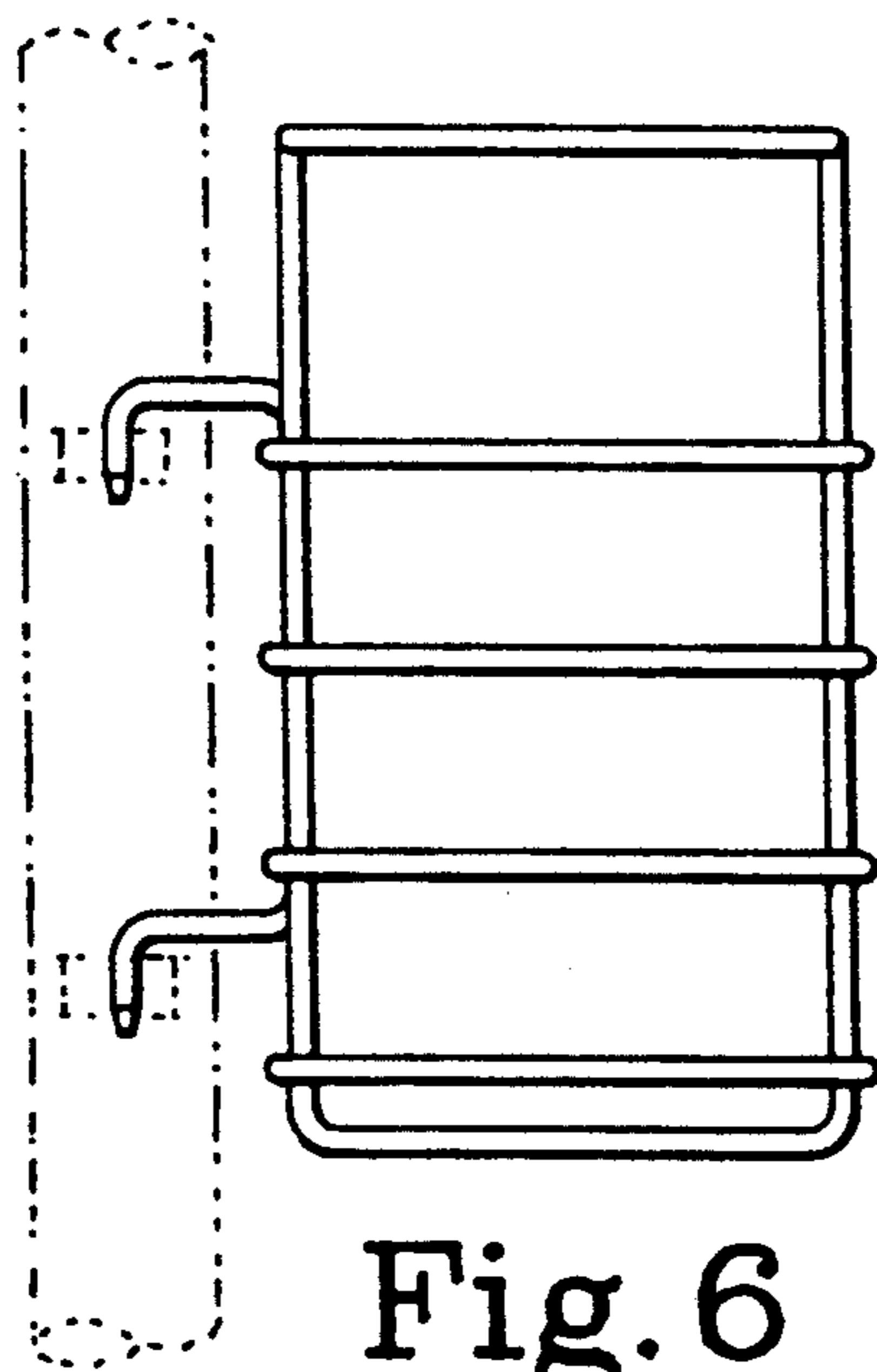


Fig. 6