



US00D343707S

United States Patent [19]

Dyson

[11] Patent Number: Des. 343,707

[45] Date of Patent: ** Jan. 25, 1994

[54] VACUUM CLEANER

[75] Inventor: James Dyson, Bath, England

[73] Assignee: Iona Appliances Inc., Ontario, Canada

[**] Term: 14 Years

[21] Appl. No.: 725,747

[22] Filed: Jul. 3, 1991

[30] Foreign Application Priority Data

Jun. 19, 1991 [CA] Canada 19-06-91-1

[52] U.S. Cl. D32/22

[58] Field of Search 15/320, 321, 323-326, 15/335, 339, 350-352, 353, 354-355, 358, 377-378, 412, 415 R, 391, 327.1, 361; D32/21, 22, 32-34

[56] References Cited

U.S. PATENT DOCUMENTS

D. 305,269	12/1989	Dyson	D32/22
D. 309,203	7/1990	Goodrich	D32/22
4,571,772	2/1986	Dyson	15/339

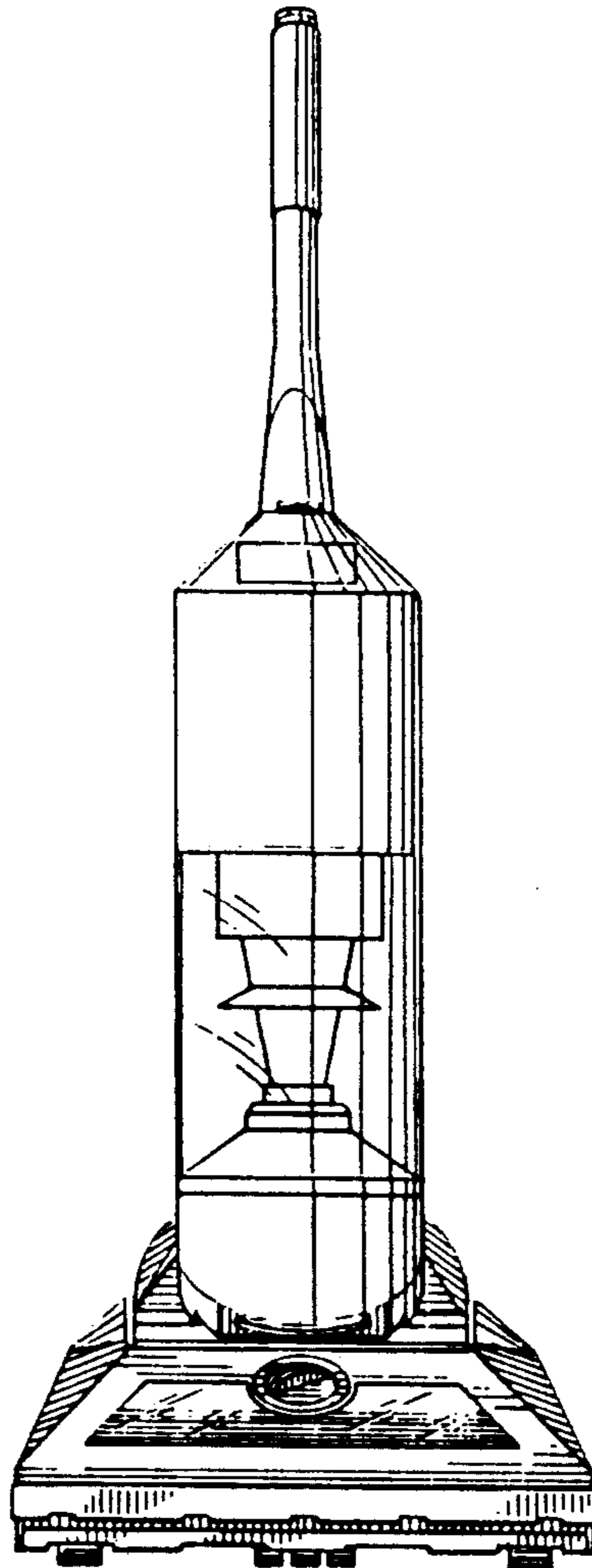
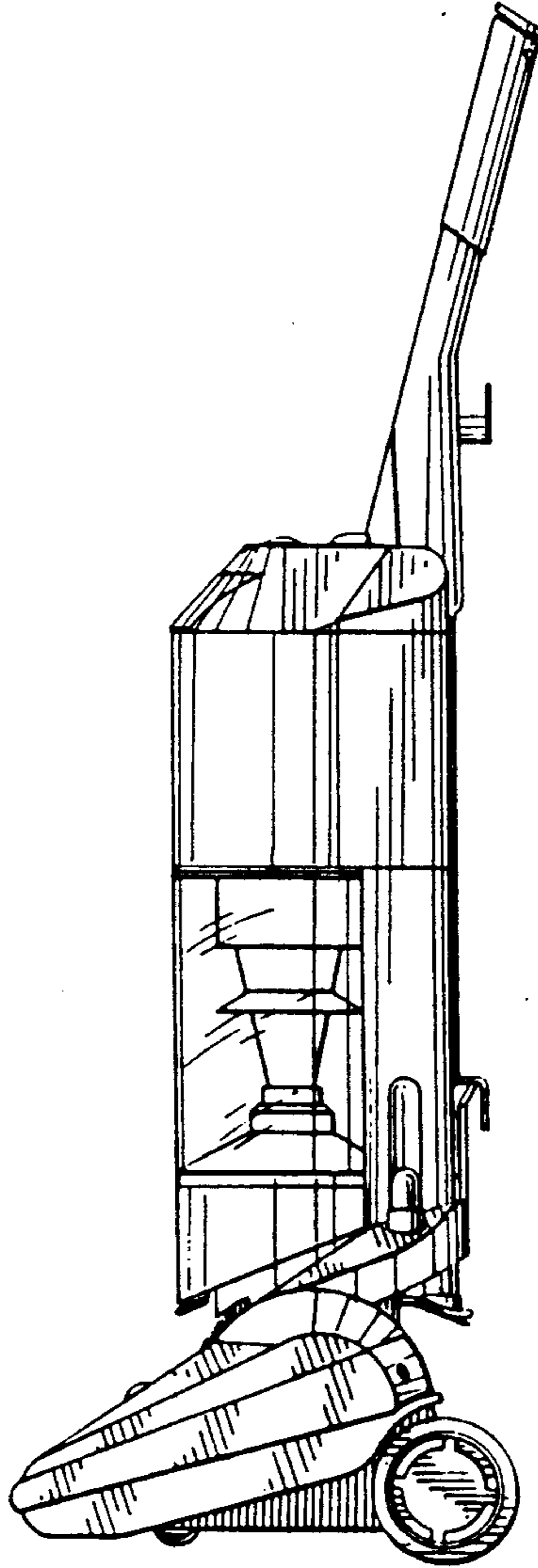
Primary Examiner—Ruth McInroy
Attorney, Agent, or Firm—Bereskin & Parr

[57] CLAIM

The ornamental design for a vacuum cleaner, as shown.

DESCRIPTION

FIG. 1 is a right side elevational view of a vacuum cleaner showing my new design;
FIG. 2 is a left side elevational view thereof;
FIG. 3 is a front elevational view thereof;
FIG. 4 is a rear elevational view thereof;
FIG. 5 is a bottom plan view thereof;
FIG. 6 is a top plan view thereof; and,
FIG. 7 is an exploded side elevational view thereof.



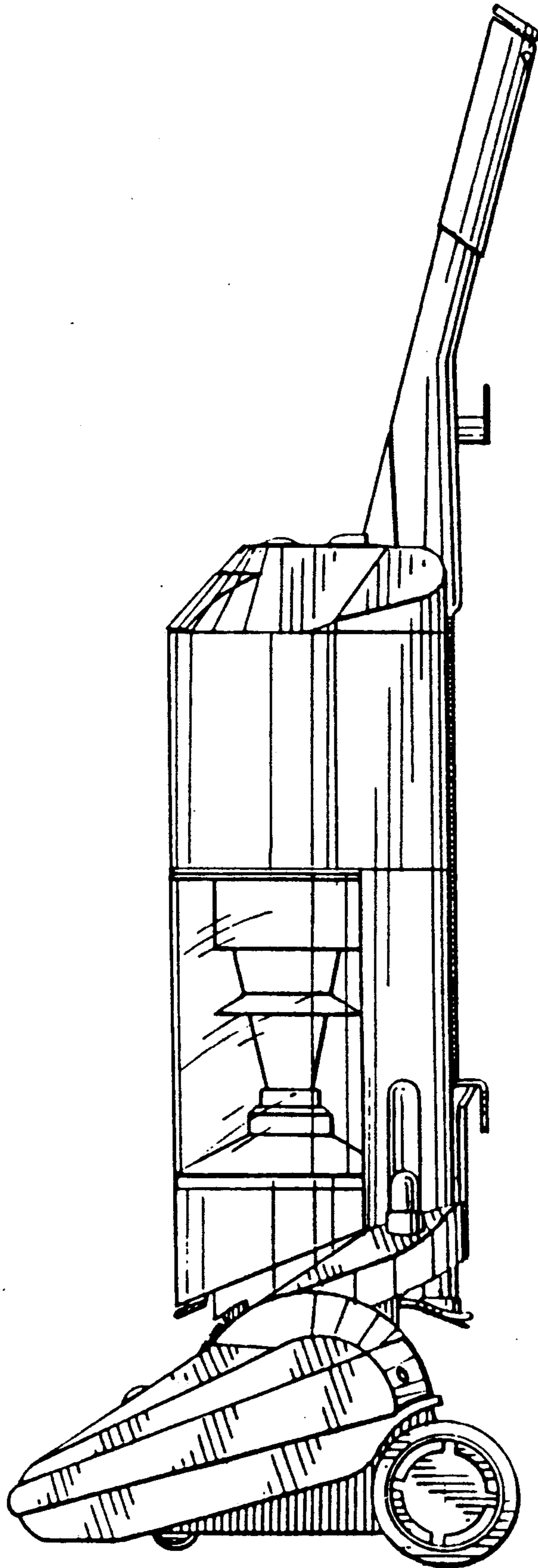


FIG. 1

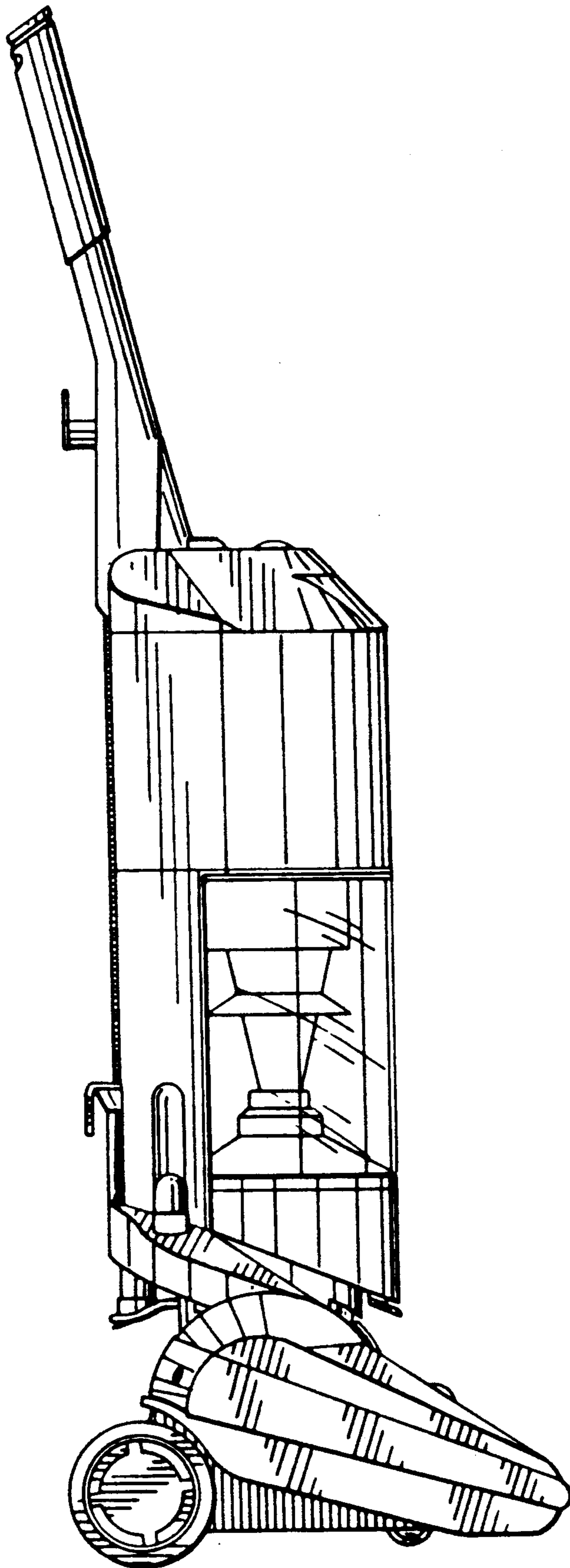


FIG. 2

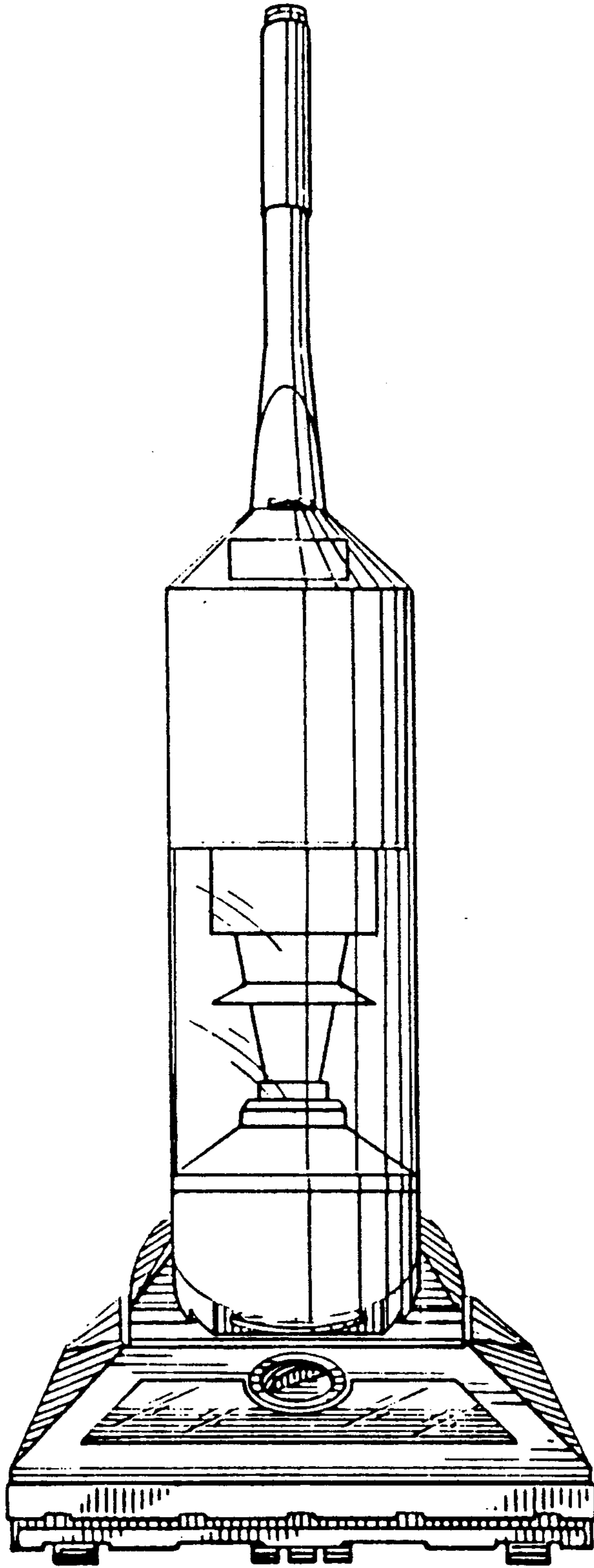


FIG. 3

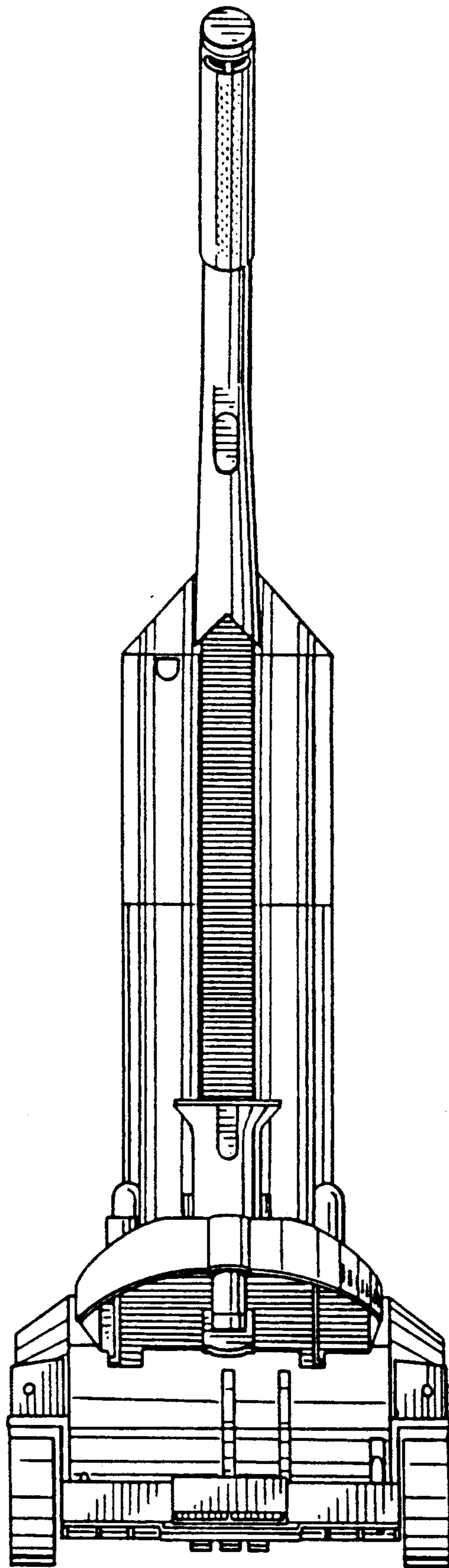


FIG. 4

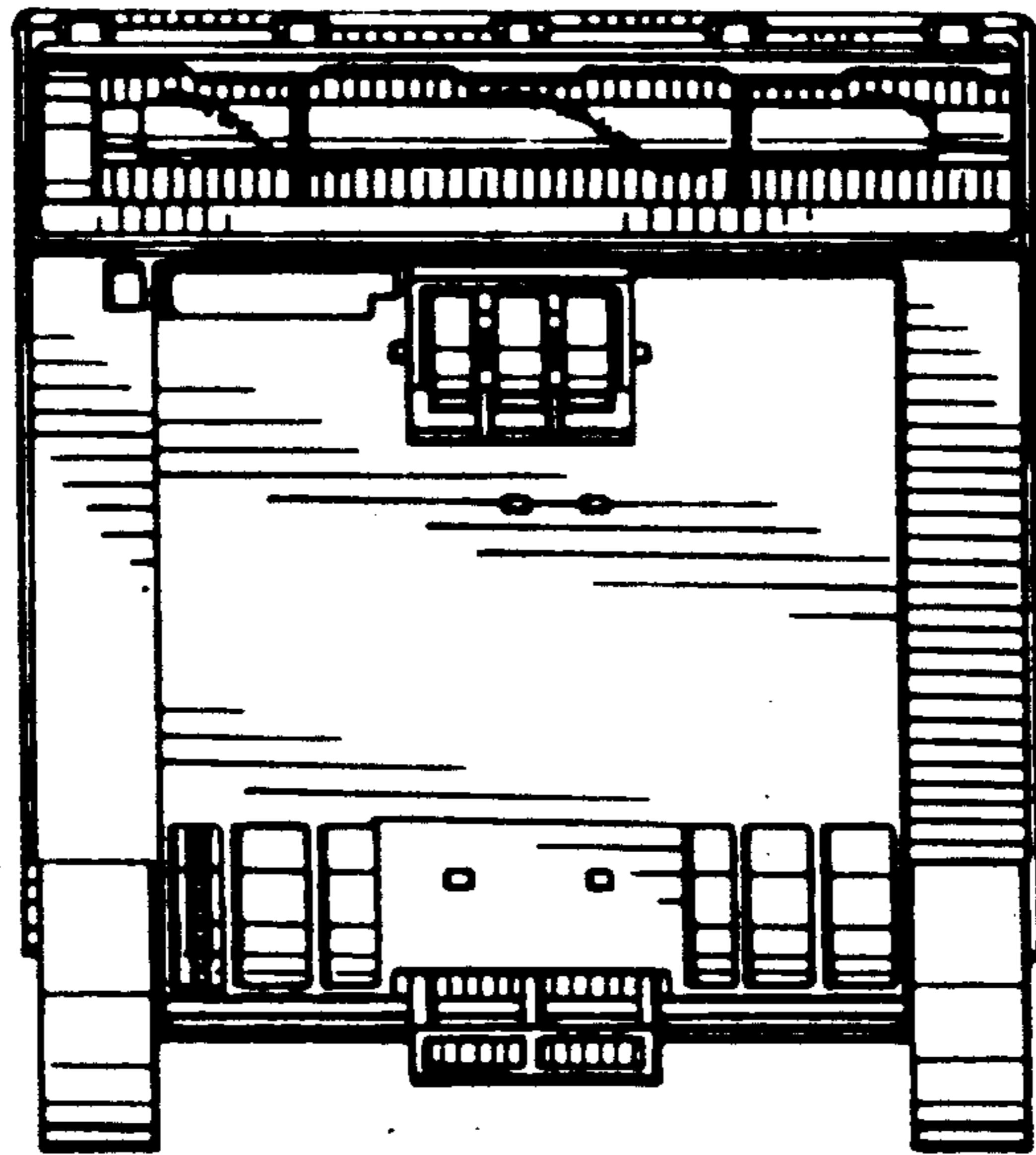


FIG. 5

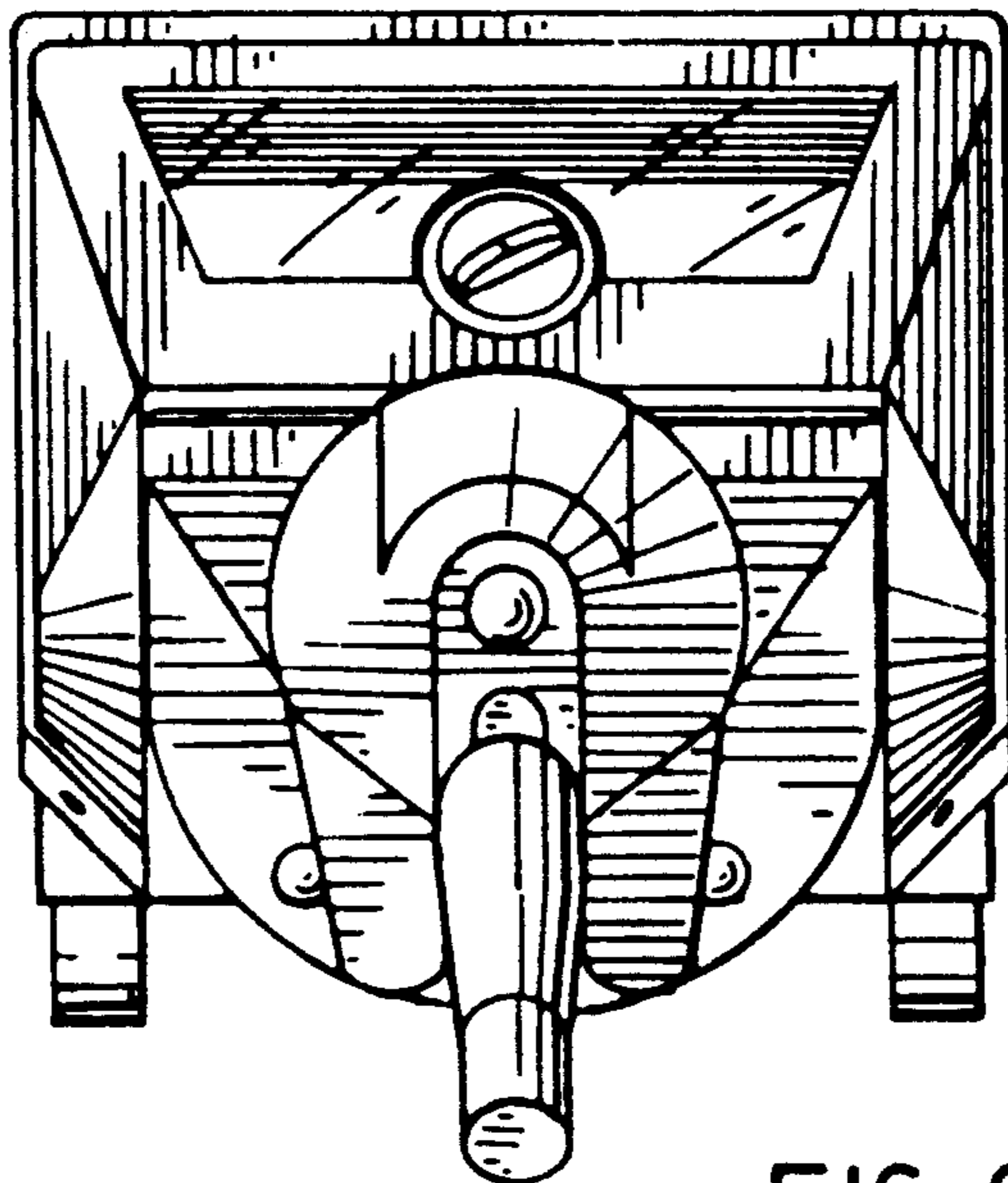


FIG. 6

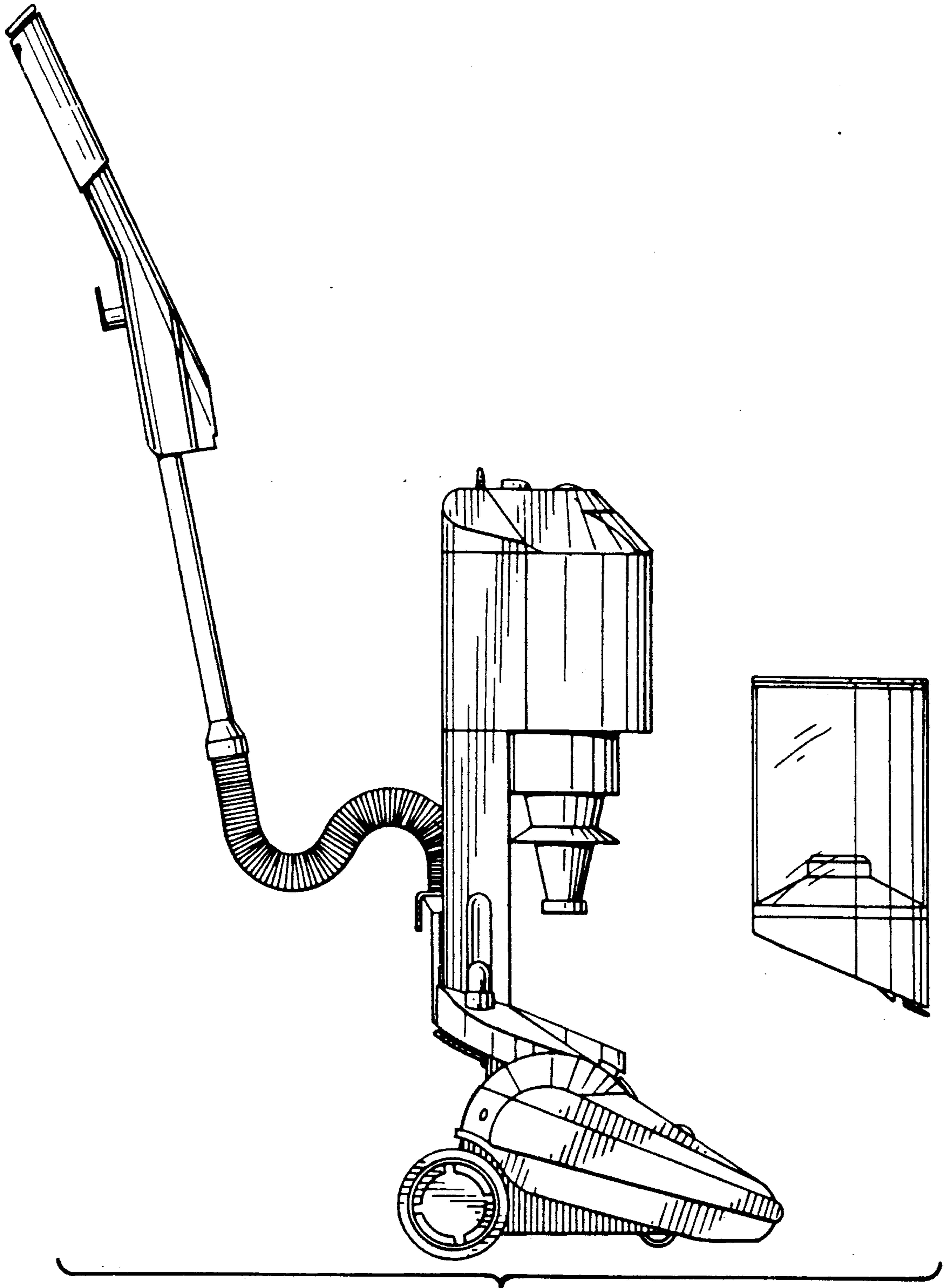


FIG. 7