



US00D343705S

# United States Patent [19]

Gurstein et al.

[11] Patent Number: **Des. 343,705**

[45] Date of Patent: **\*\* Jan. 25, 1994**

[54] **AIR COOLED FLOOR POLISHING MACHINE**

[75] Inventors: **Russell S. Gurstein; Steven G. Misterek, both of Hayden Lake, Id.**

[73] Assignee: **U. S. Products, Inc., Hayden lake, Id.**

[\*\*] Term: **14 Years**

[21] Appl. No.: **858,760**

[22] Filed: **Mar. 27, 1992**

[52] U.S. Cl. .... **D32/19**

[58] Field of Search ..... 15/49.1, 50.1, 50.3, 15/52, 52.1, 98, 78, 79.1, 79.2, 82, 87; D32/15-16, 19-20, 22, 24

[56] **References Cited**

**U.S. PATENT DOCUMENTS**

- D. 87,851 9/1932 Myers ..... D32/19
- D. 251,007 2/1979 Burgoon ..... D32/19

- D. 269,557 6/1983 Cook, Jr. .... D32/19
- D. 282,110 1/1986 Tucker et al. .... D32/19
- D. 296,250 6/1988 Genovese ..... D32/19
- D. 321,420 11/1991 Von Vett et al. .... D32/19
- 5,177,828 1/1993 Von Vett ..... 15/49.1

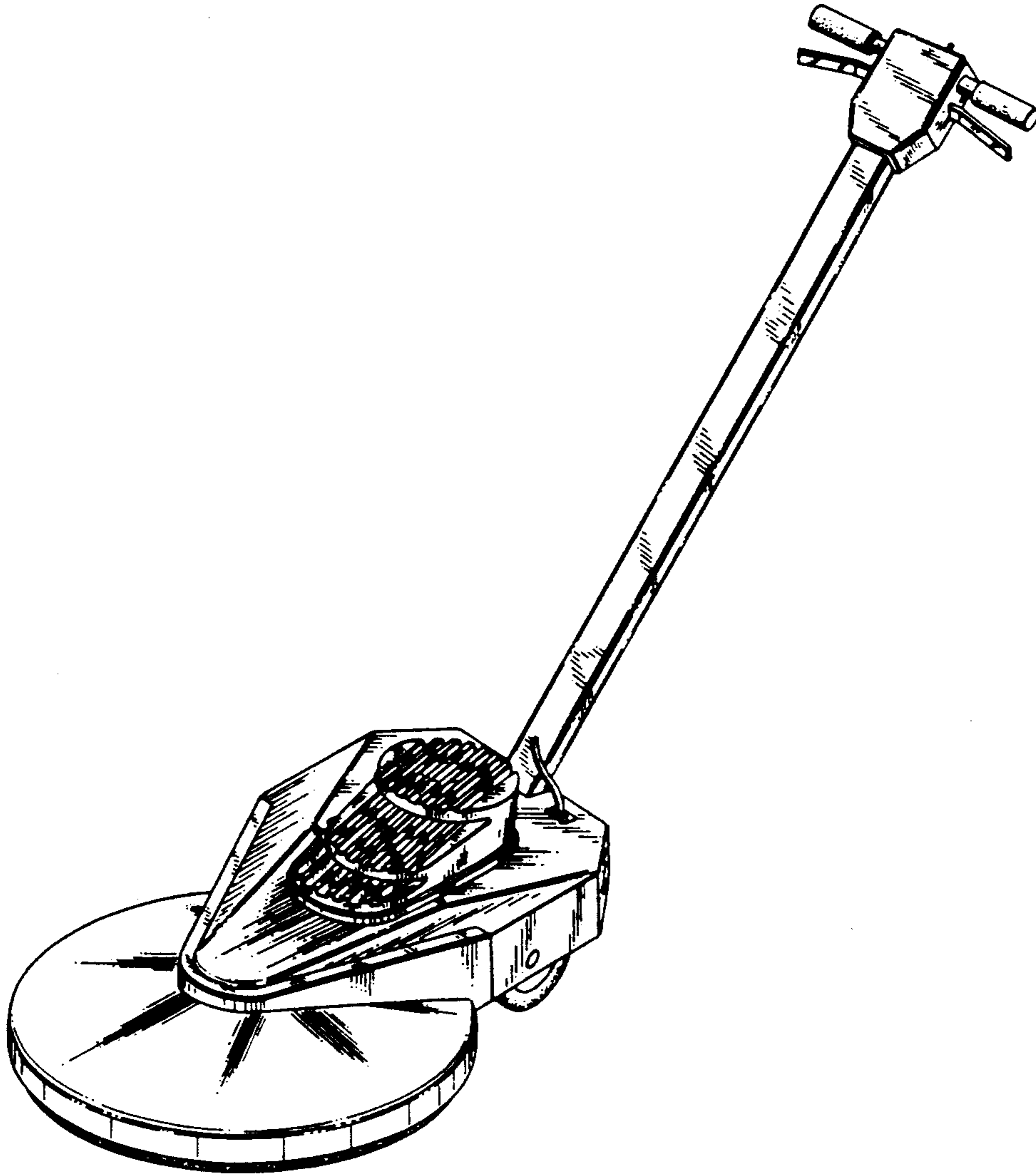
*Primary Examiner*—Ruth McInroy  
*Attorney, Agent, or Firm*—Browdy and Neimark

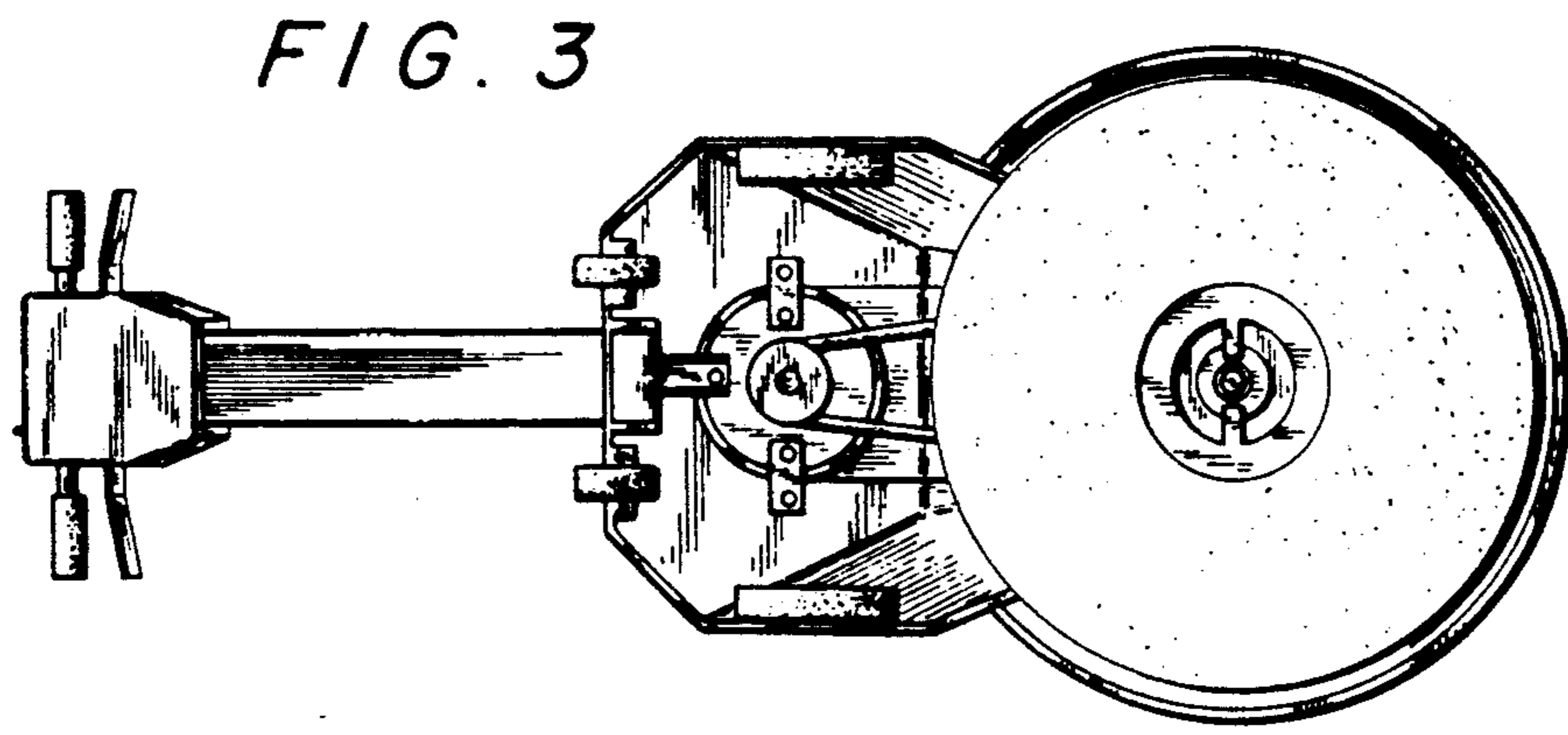
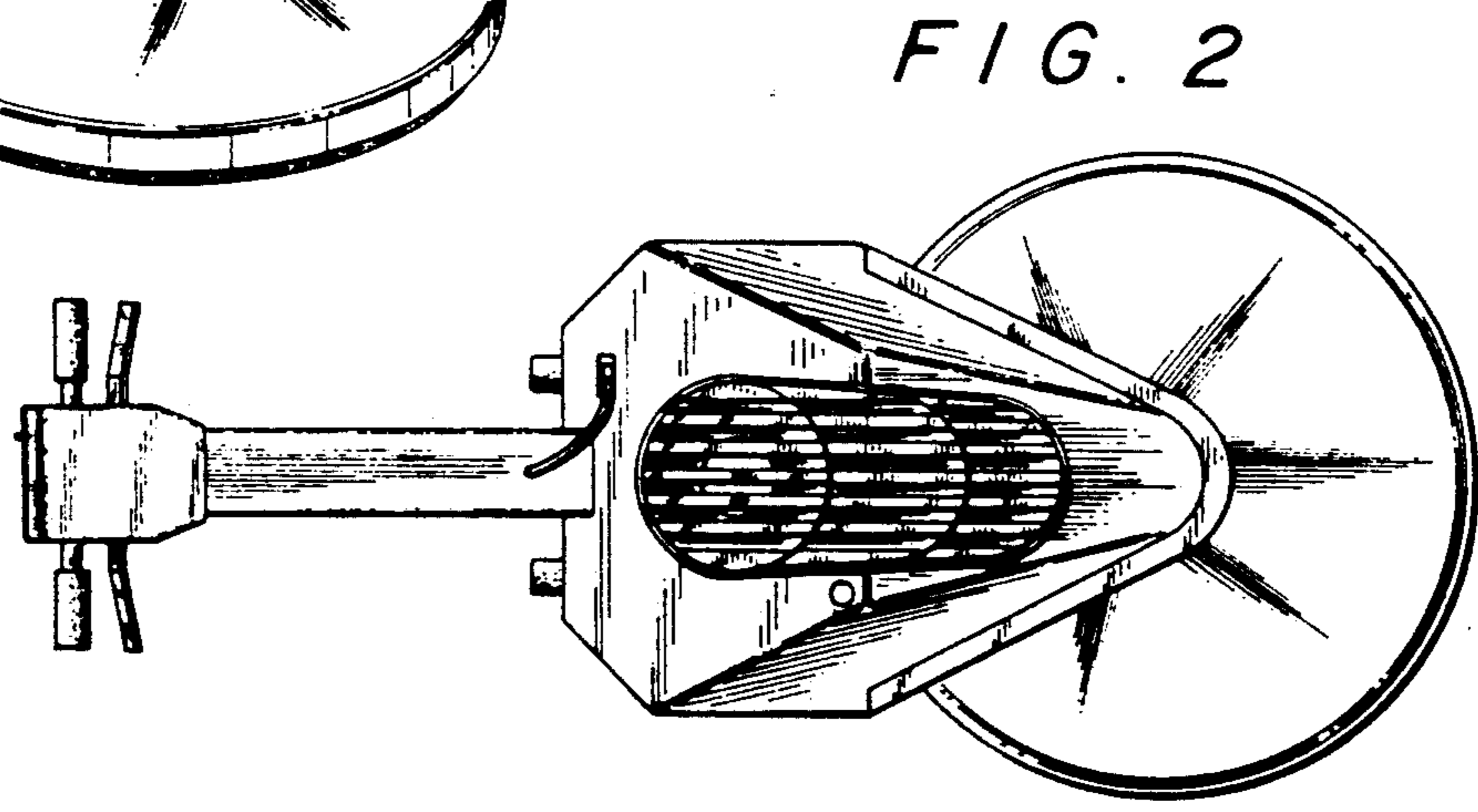
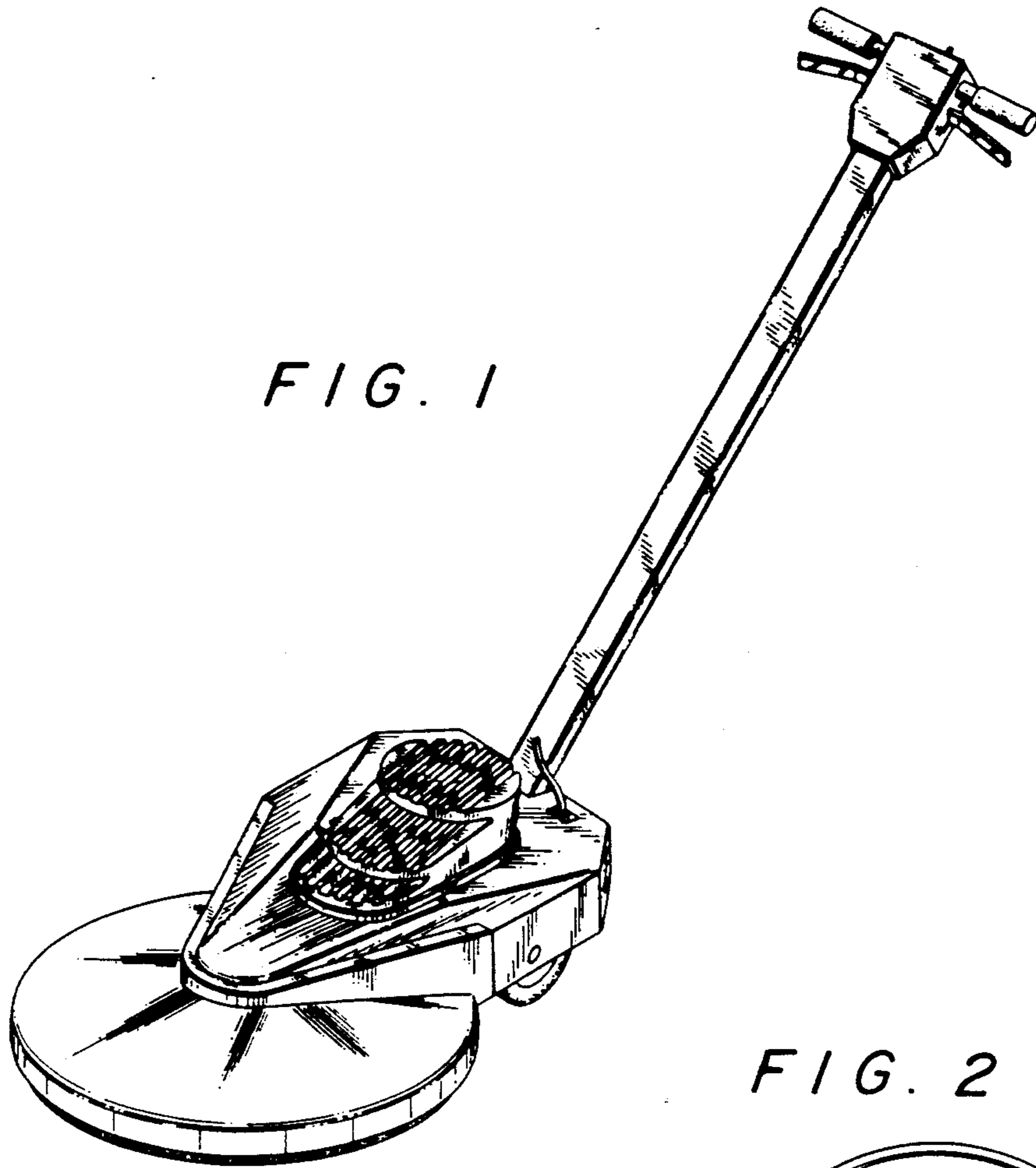
[57] **CLAIM**

The ornamental design for an air cooled floor polishing machine, as shown and described.

**DESCRIPTION**

FIG. 1 is a front perspective view of an air cooled floor polishing machine showing our new design; FIG. 2 is a top plan view thereof; FIG. 3 is a bottom plan view thereof; FIG. 4 is a left side elevation view thereof; FIG. 5 is a right side elevation view thereof; FIG. 6 is a front elevation view thereof; and, FIG. 7 is a rear elevation view thereof.





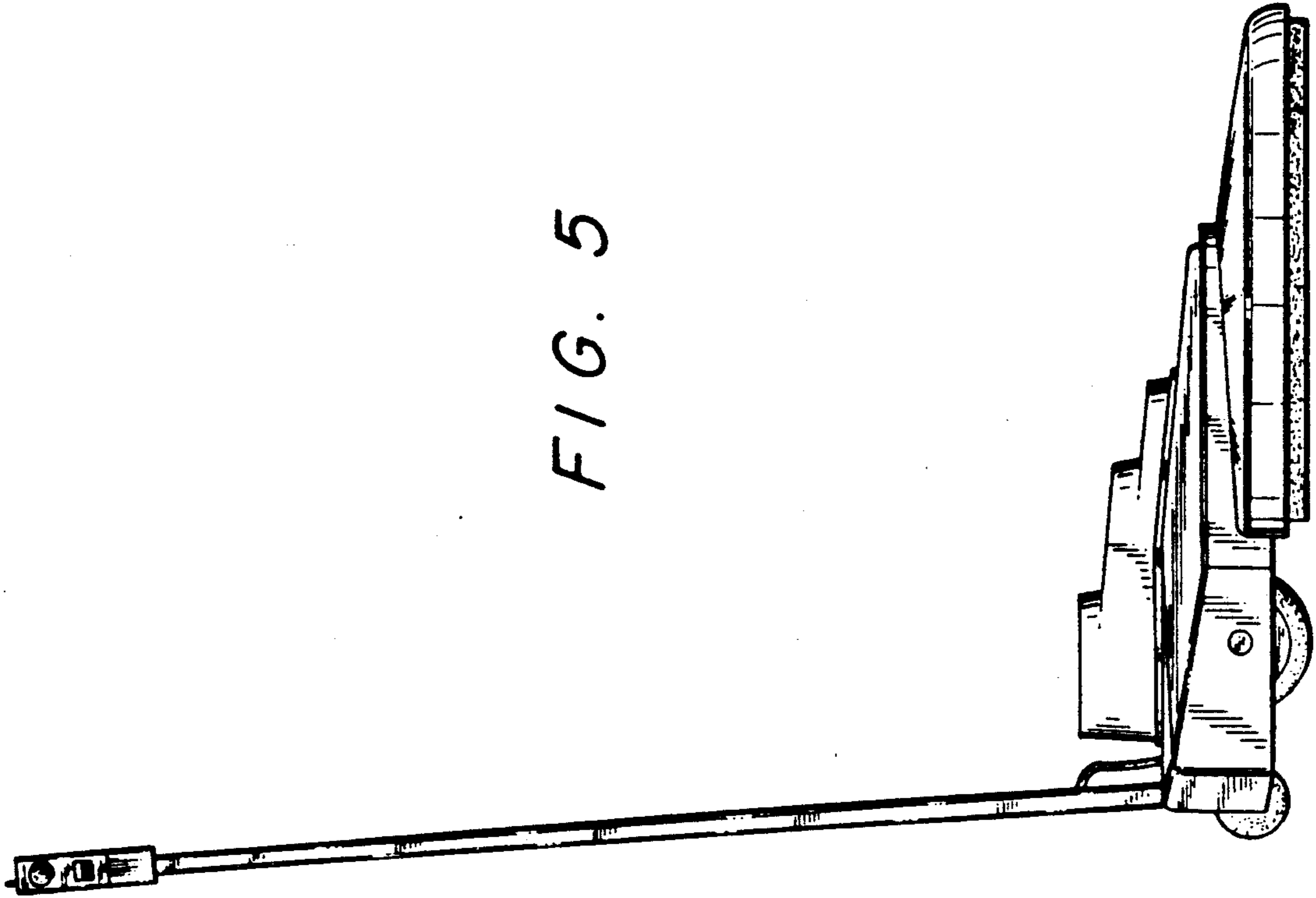


FIG. 5

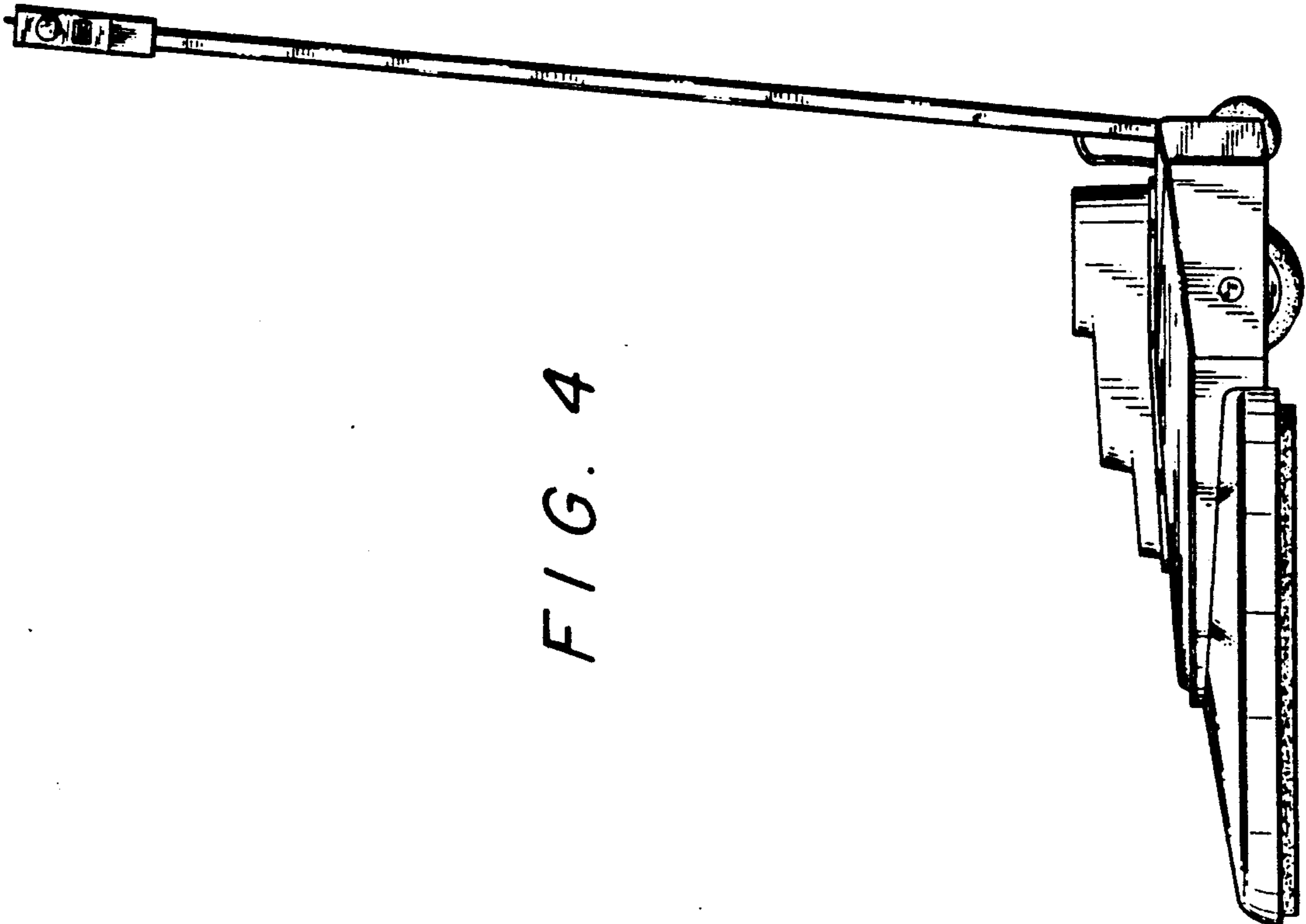


FIG. 4

FIG. 7

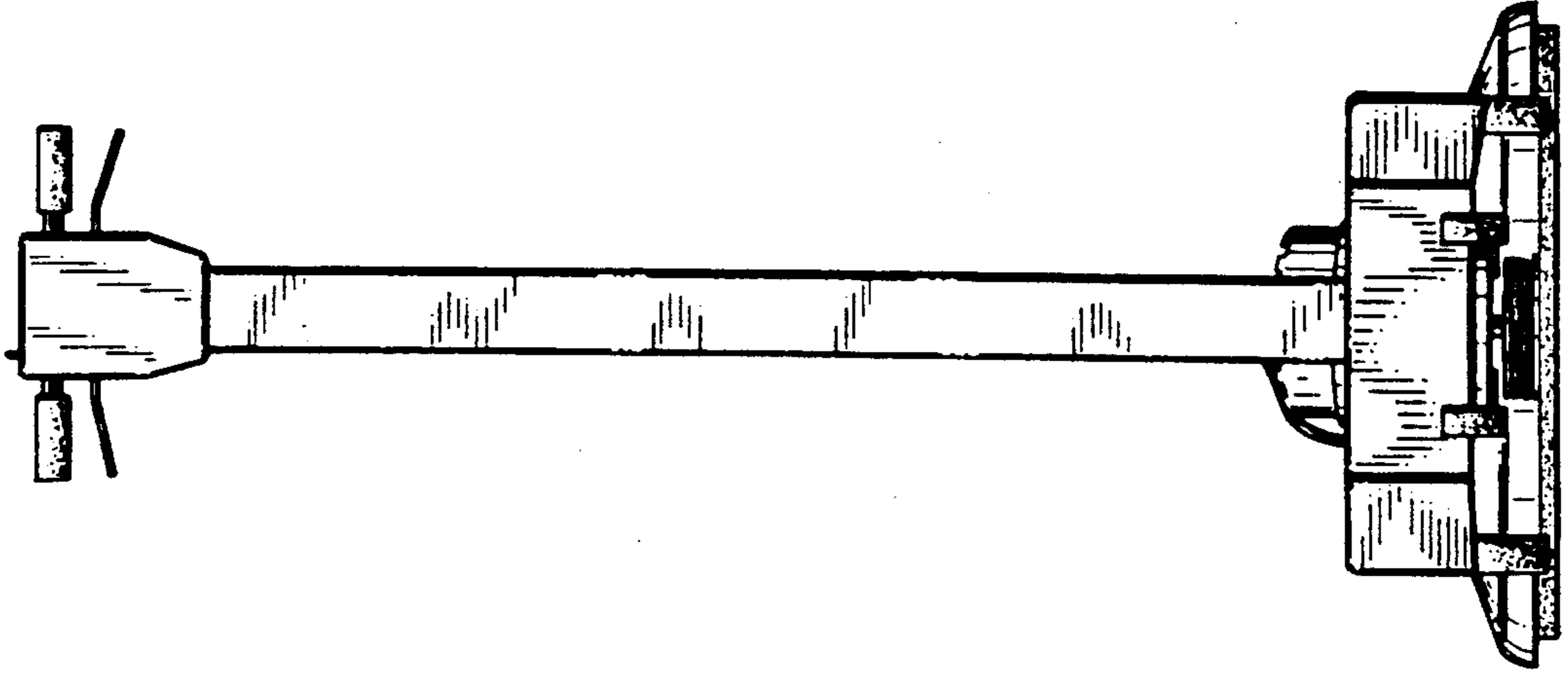


FIG. 6

