



US00D343701S

United States Patent [19]
Dahlstrand

[11] **Patent Number: Des. 343,701**

[45] **Date of Patent: ** Jan. 25, 1994**

[54] **ANAESTHETIC MASK FOR BABIES**

[56] **References Cited**

U.S. PATENT DOCUMENTS

[76] **Inventor: Monika G. Dahlstrand, Saltovagen 3
A, S-371 37 Karskrona, Sweden**

4,520,809 6/1985 deGreef et al. 128/202.13
4,896,666 1/1990 Hinkle 128/206.29

[**] **Term: 14 Years**

*Primary Examiner—Kay H. Chin
Attorney, Agent, or Firm—Young & Thompson*

[21] **Appl. No.: 822,988**

[57] **CLAIM**

The ornamental desing for an anaesthetic mask for babies, as shown and described.

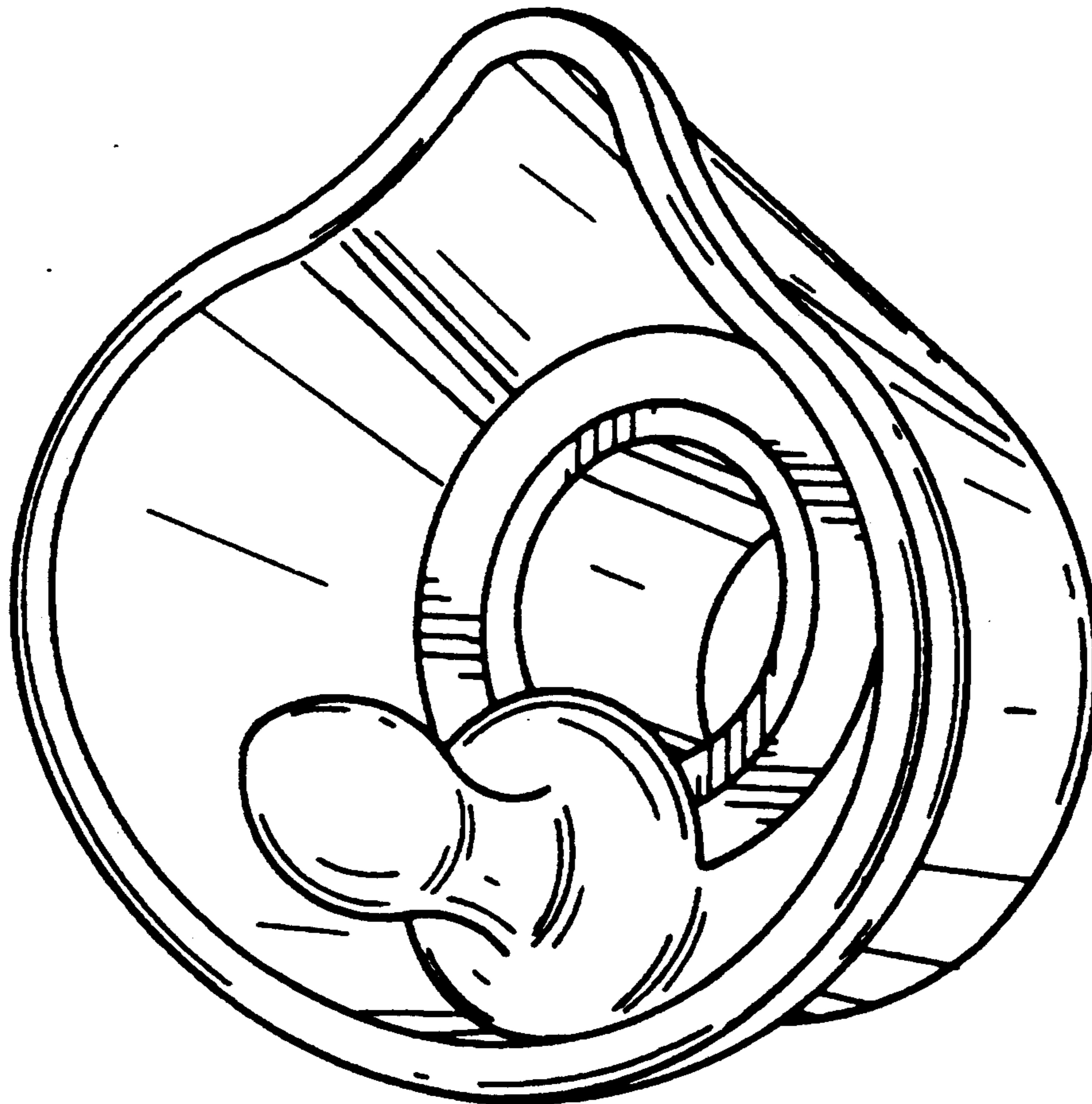
[22] **Filed: Jan. 21, 1992**

DESCRIPTION

[30] **Foreign Application Priority Data**

Jul. 19, 1991 [SE] Sweden 91-1469
[52] **U.S. Cl.** D29/7; D29/8;
D24/194; D24/196
[58] **Field of Search** 128/206.29, 202.13,
128/206.12; D29/7, 8; D24/194, 196, 193

FIG. 1 is a rear perspective view of an anaesthetic mask for babies, showing my new design;
FIG. 2 is a side elevational view thereof from the right of FIG. 1;
FIG. 3 is a front elevational view thereof;
FIG. 4 is a cross-sectional view thereof showing the same in use on a baby; and,
FIG. 5 is a view similar to FIG. 1 but showing the device connected to a source of anaesthetic gas.



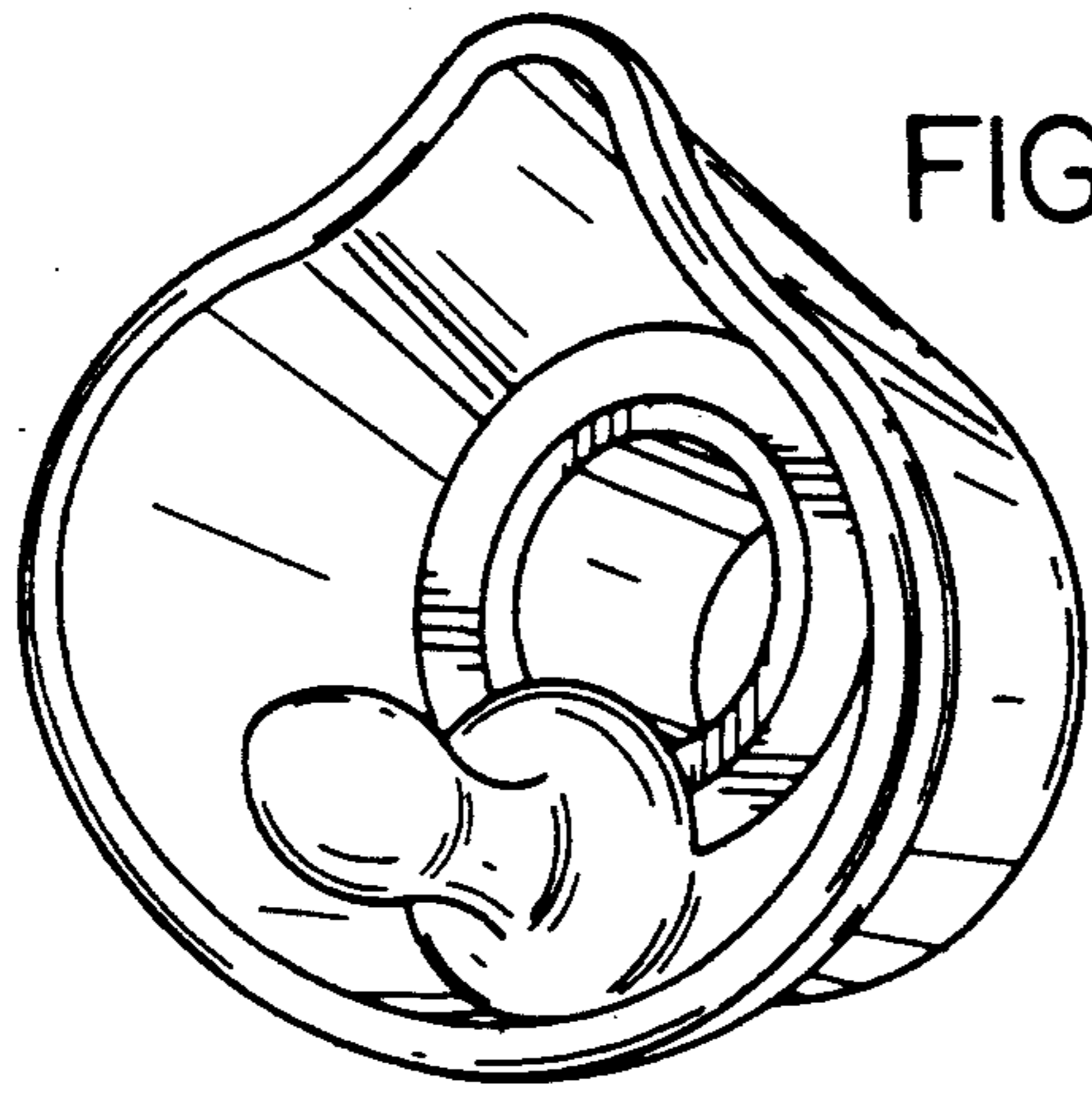


FIG. 1

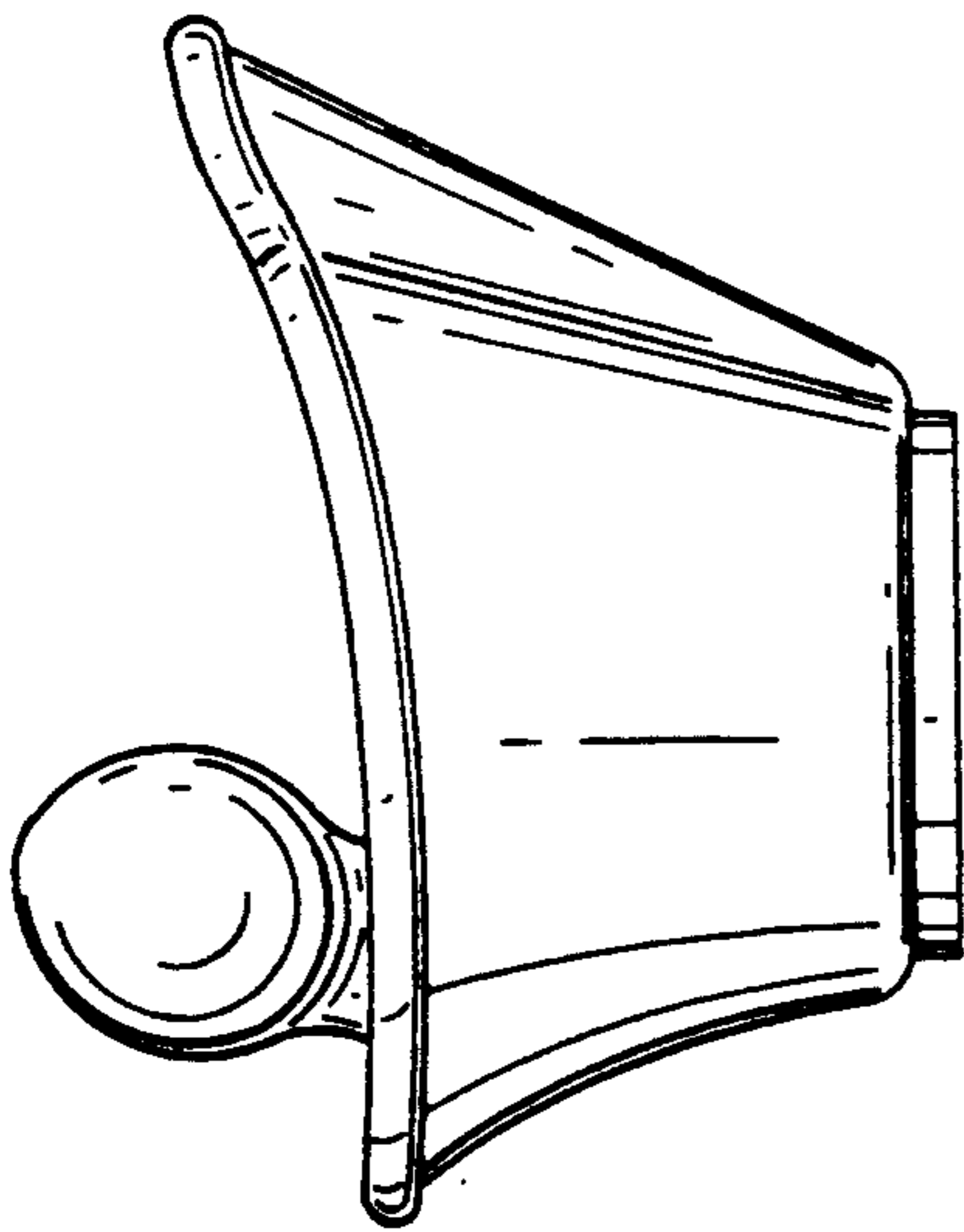


FIG. 2

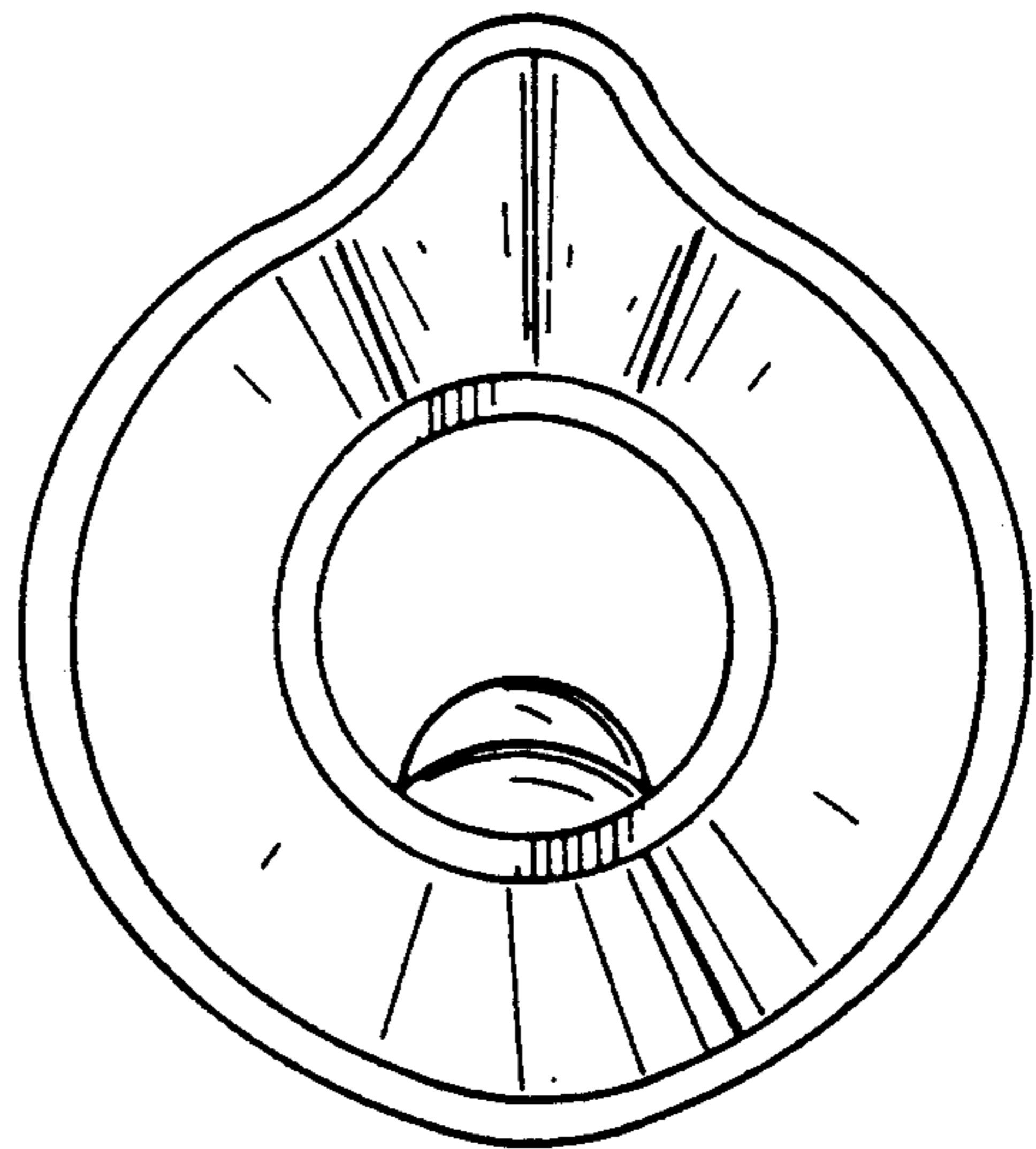


FIG. 3

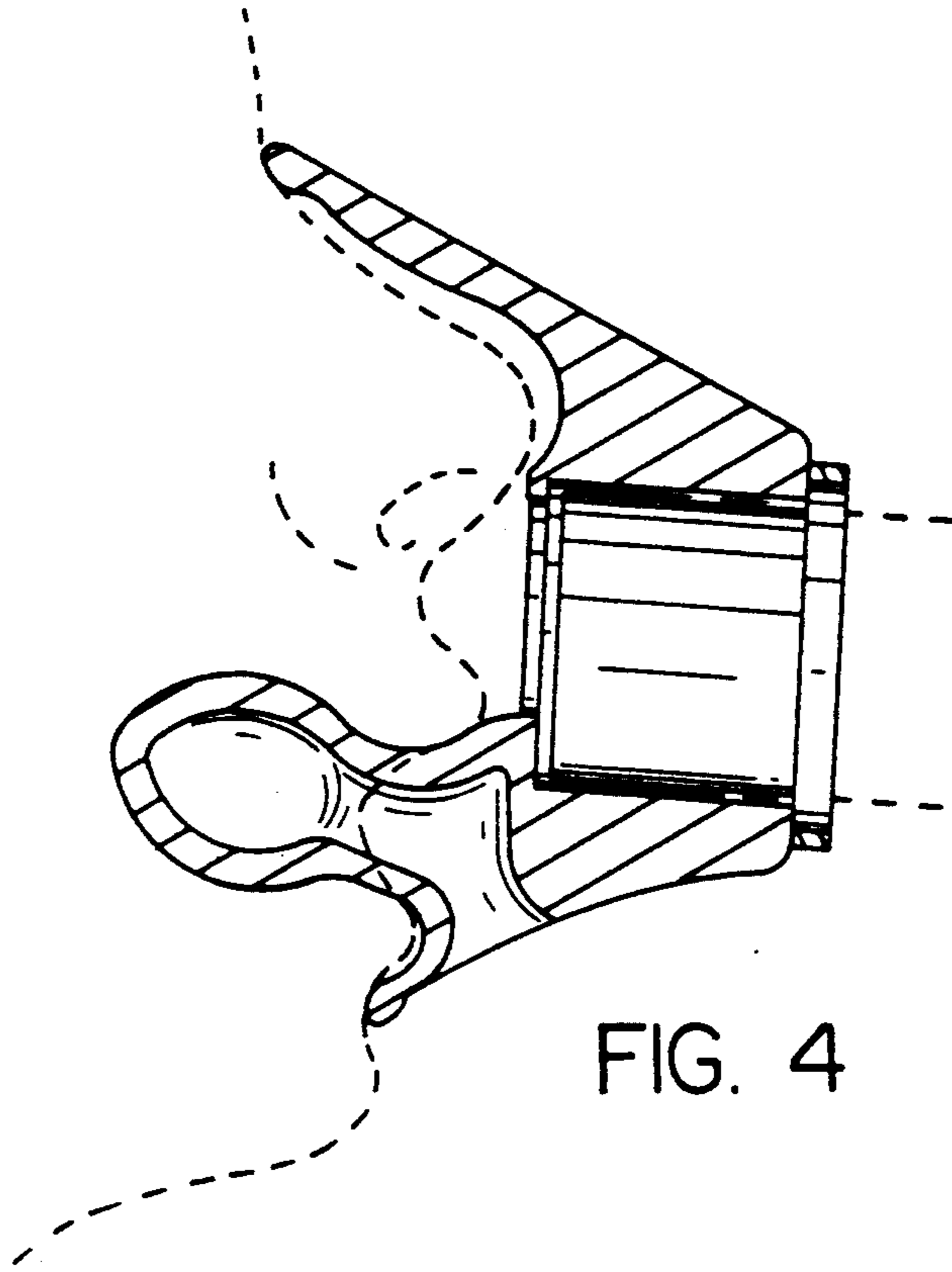


FIG. 4

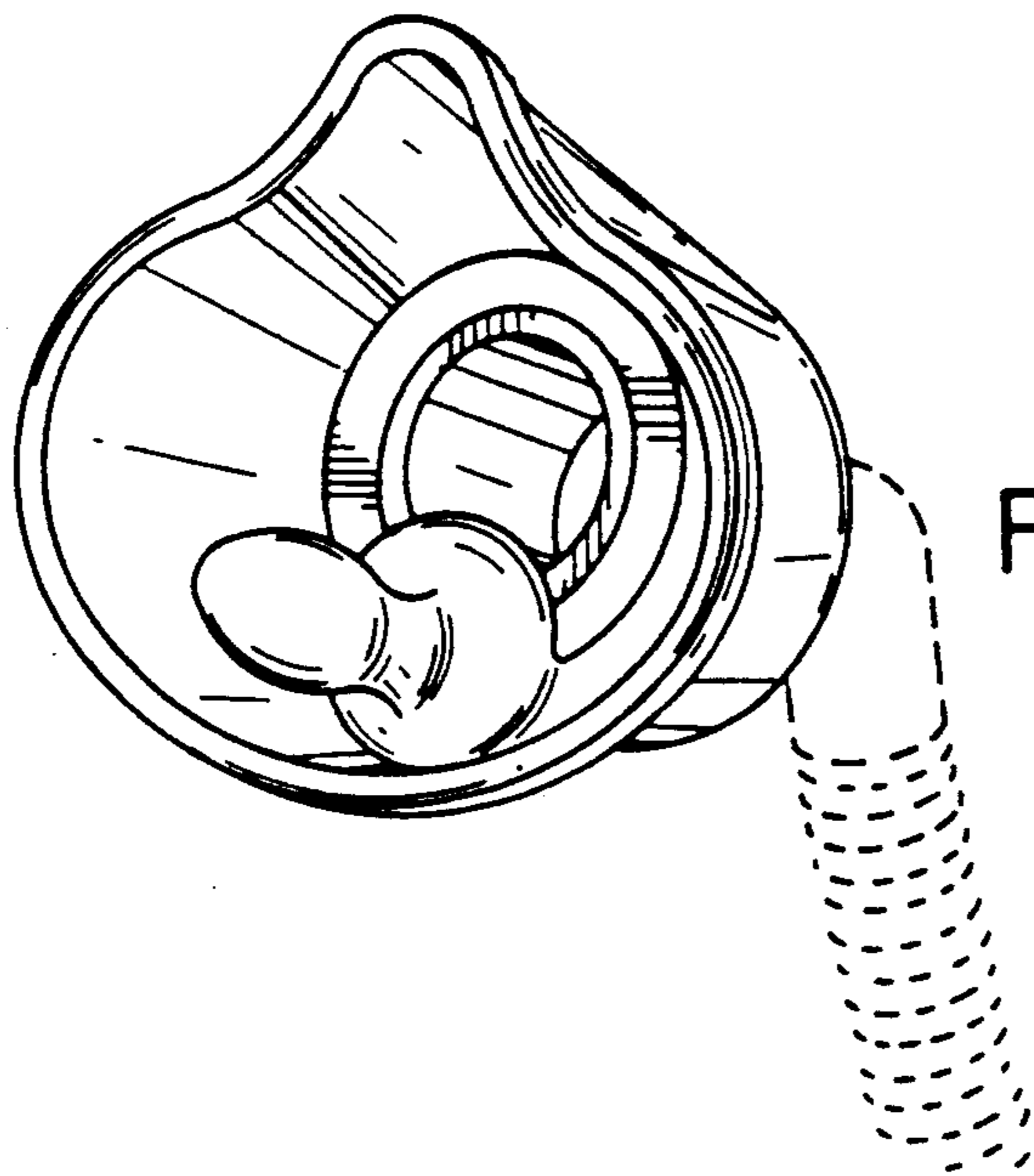


FIG. 5