



US00D343698S

United States Patent [19]

[11] Patent Number: **Des. 343,698**

Sharples

[45] Date of Patent: **** Jan. 25, 1994**

[54] **HAIRDRYER**

[75] Inventor: **James H. Sharples, Radcliffe, United Kingdom**

[73] Assignee: **Carmen Limited, Manchester, United Kingdom**

[**] Term: **14 Years**

[21] Appl. No.: **711,461**

[22] Filed: **May 24, 1991**

[30] **Foreign Application Priority Data**

Nov. 26, 1990 [GB] United Kingdom 2011291

[52] U.S. Cl. **D28/13**

[58] Field of Search 34/96-101;
219/222; 392/384, 385; D28/13-18

[56] **References Cited**

U.S. PATENT DOCUMENTS

D. 274,153 6/1984 Nagelkerke D28/13

D. 277,789 2/1985 Pajak D28/13

D. 281,360 11/1985 Wistrand D28/13
D. 296,140 6/1988 Snyder D28/13
D. 299,874 2/1989 Yamagami et al. D28/16 X
4,918,289 4/1990 Ohlsen et al. 392/385 X
4,972,065 11/1990 Ohlsen 34/97 X
4,977,306 12/1990 Kosaka et al. 34/96 X

Primary Examiner—Bernard Ansher
Assistant Examiner—C. Tuttle
Attorney, Agent, or Firm—Browdy and Neimark

[57] **CLAIM**

The ornamental design for a hairdryer, as described.

DESCRIPTION

FIG. 1 is a right side elevational view of a hairdryer showing my new design;
FIG. 2 is a top plan view thereof;
FIG. 3 is a front elevational view thereof;
FIG. 4 is a rear elevational view thereof;
FIG. 5 is an exploded left side elevational view thereof;
and,
FIG. 6 is a perspective view thereof.

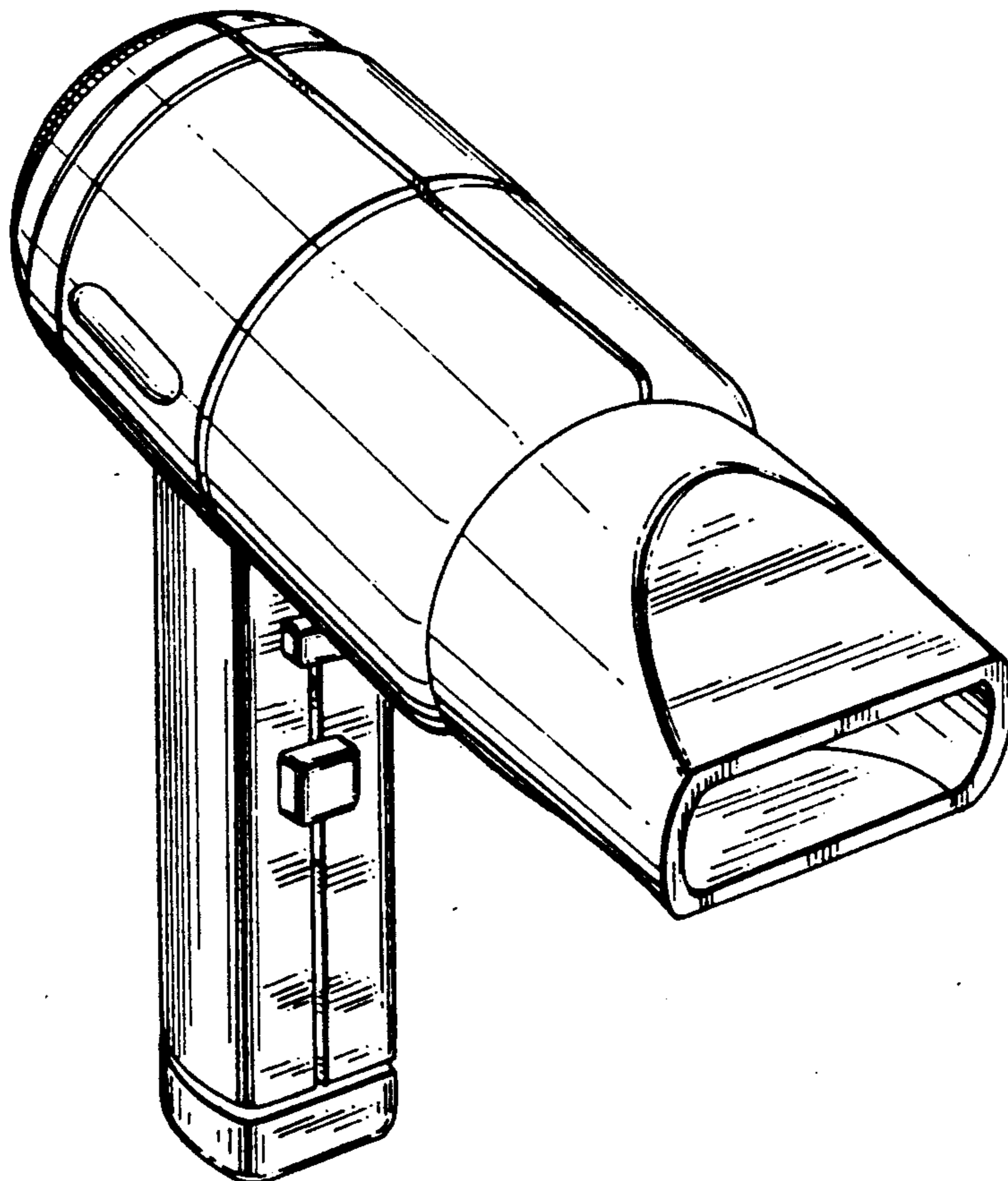


FIG. 1

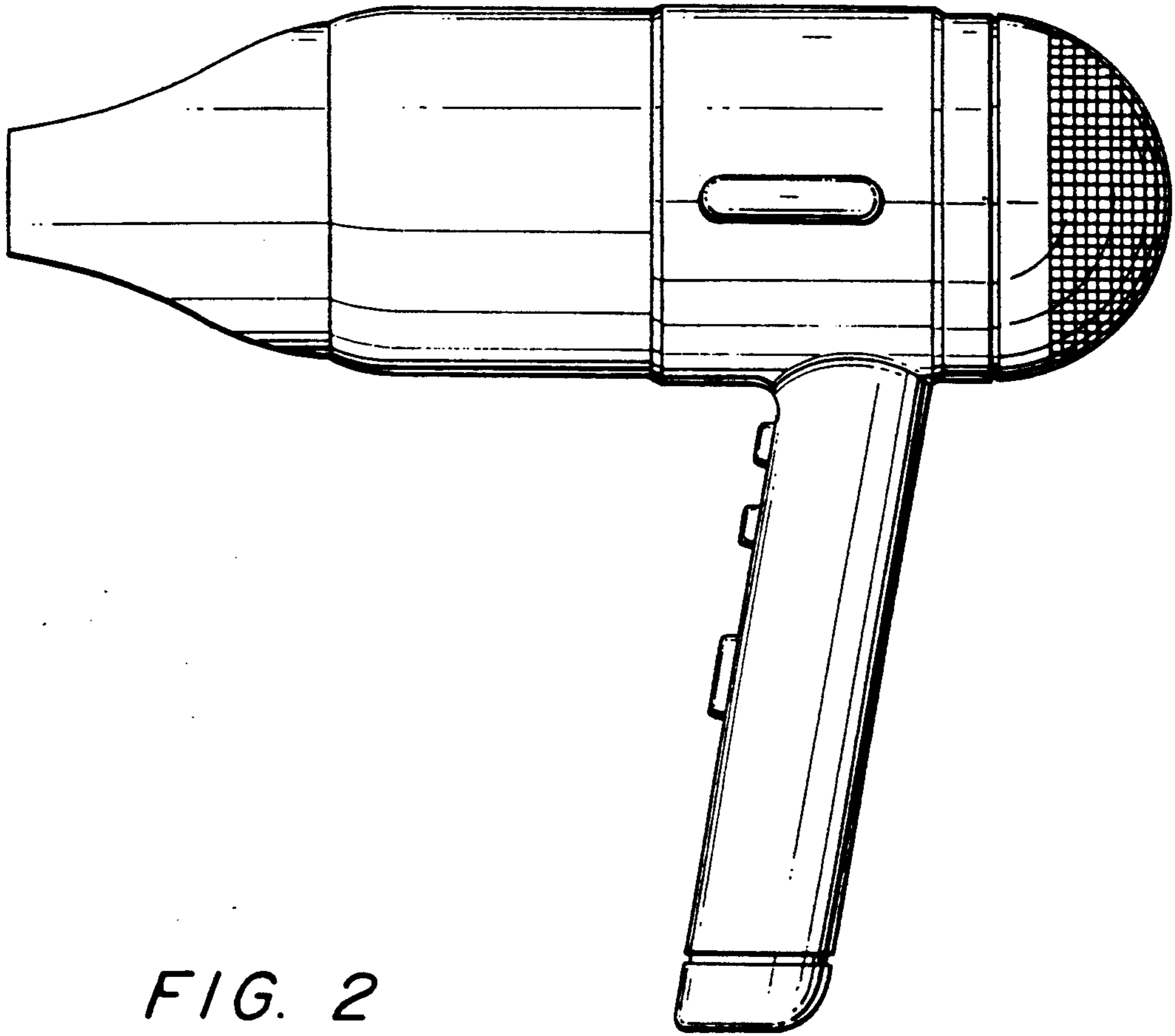


FIG. 2

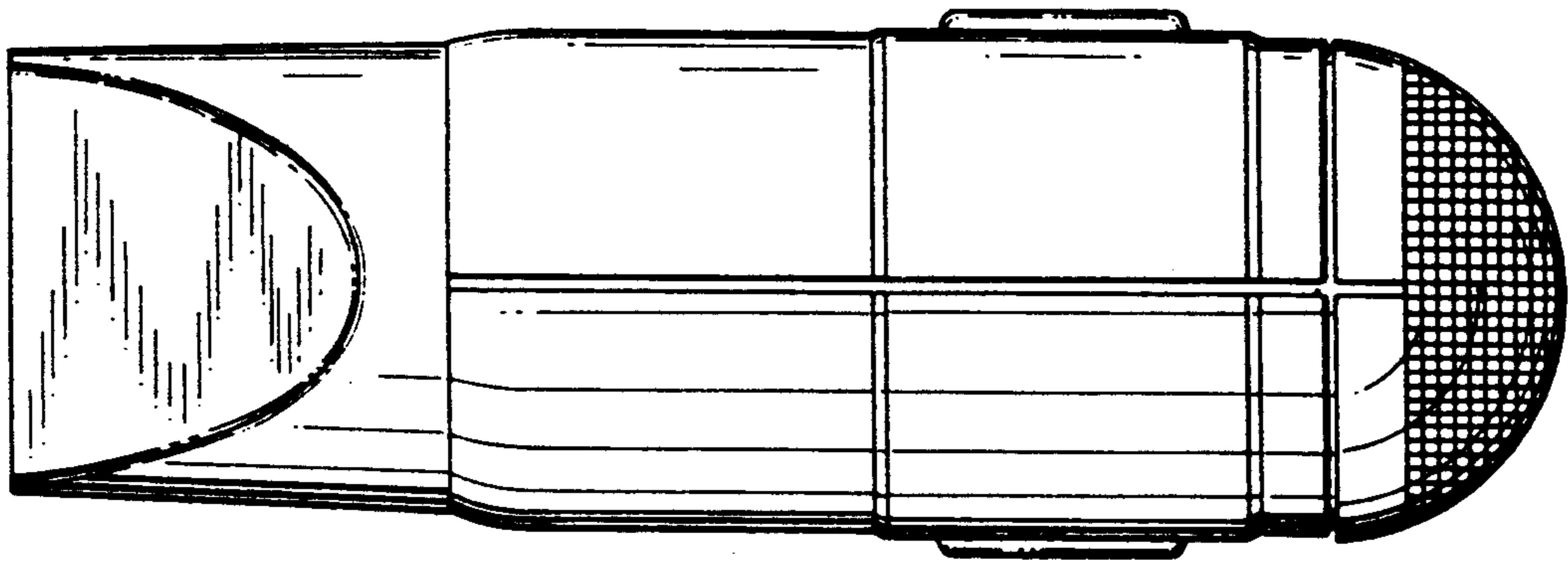


FIG. 3

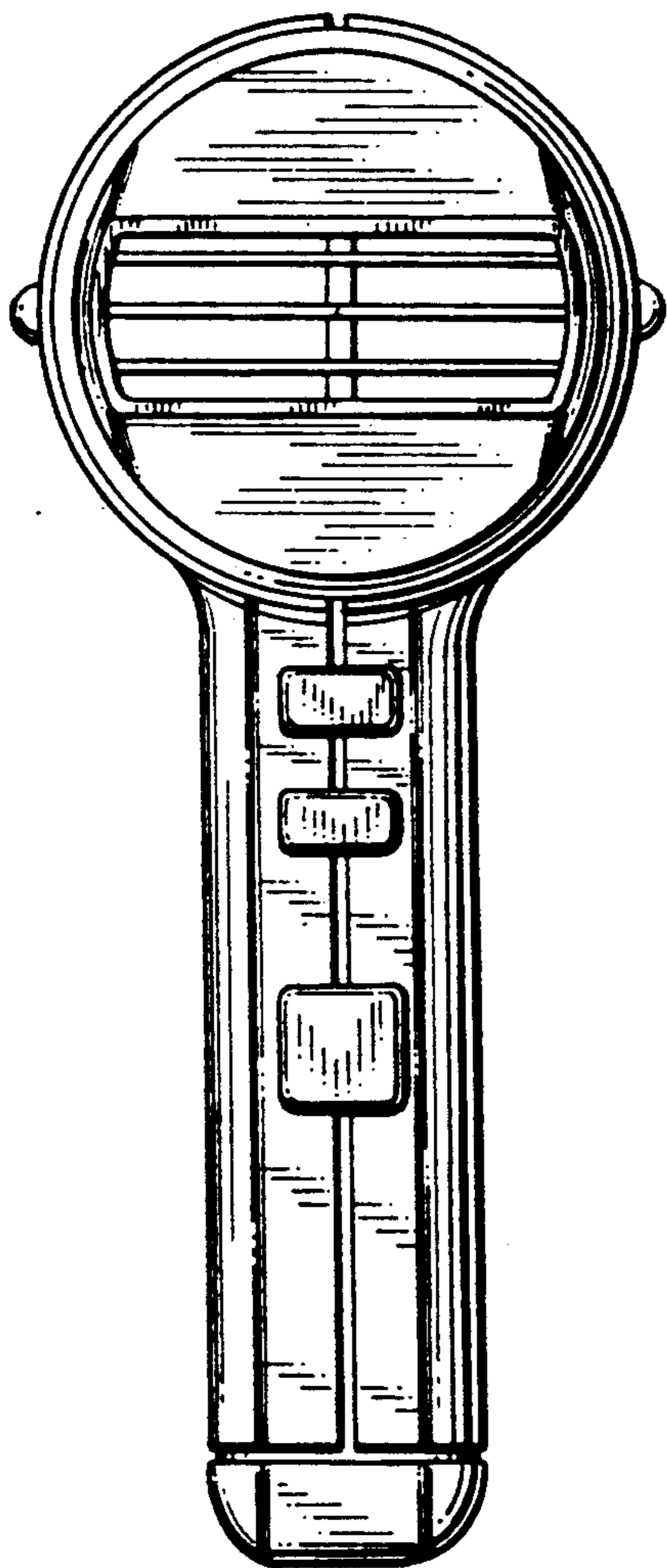
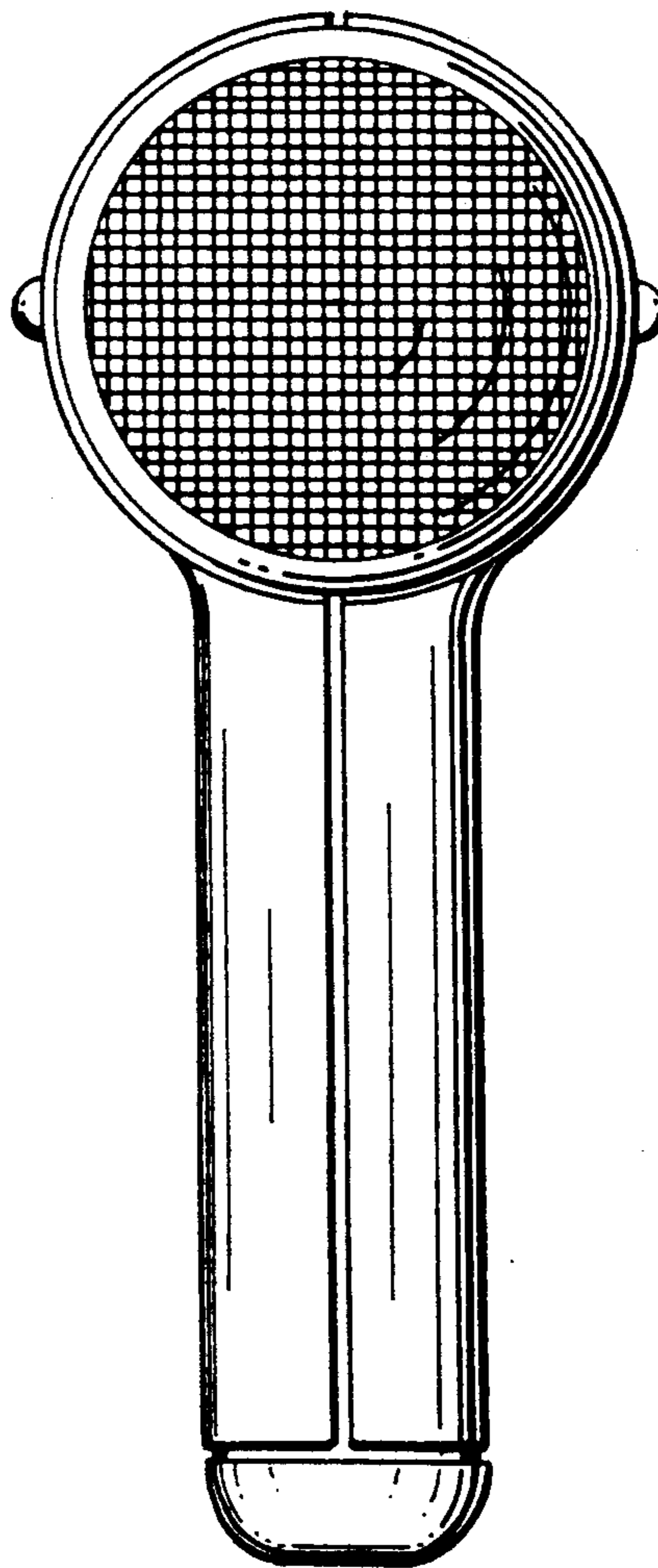


FIG. 4



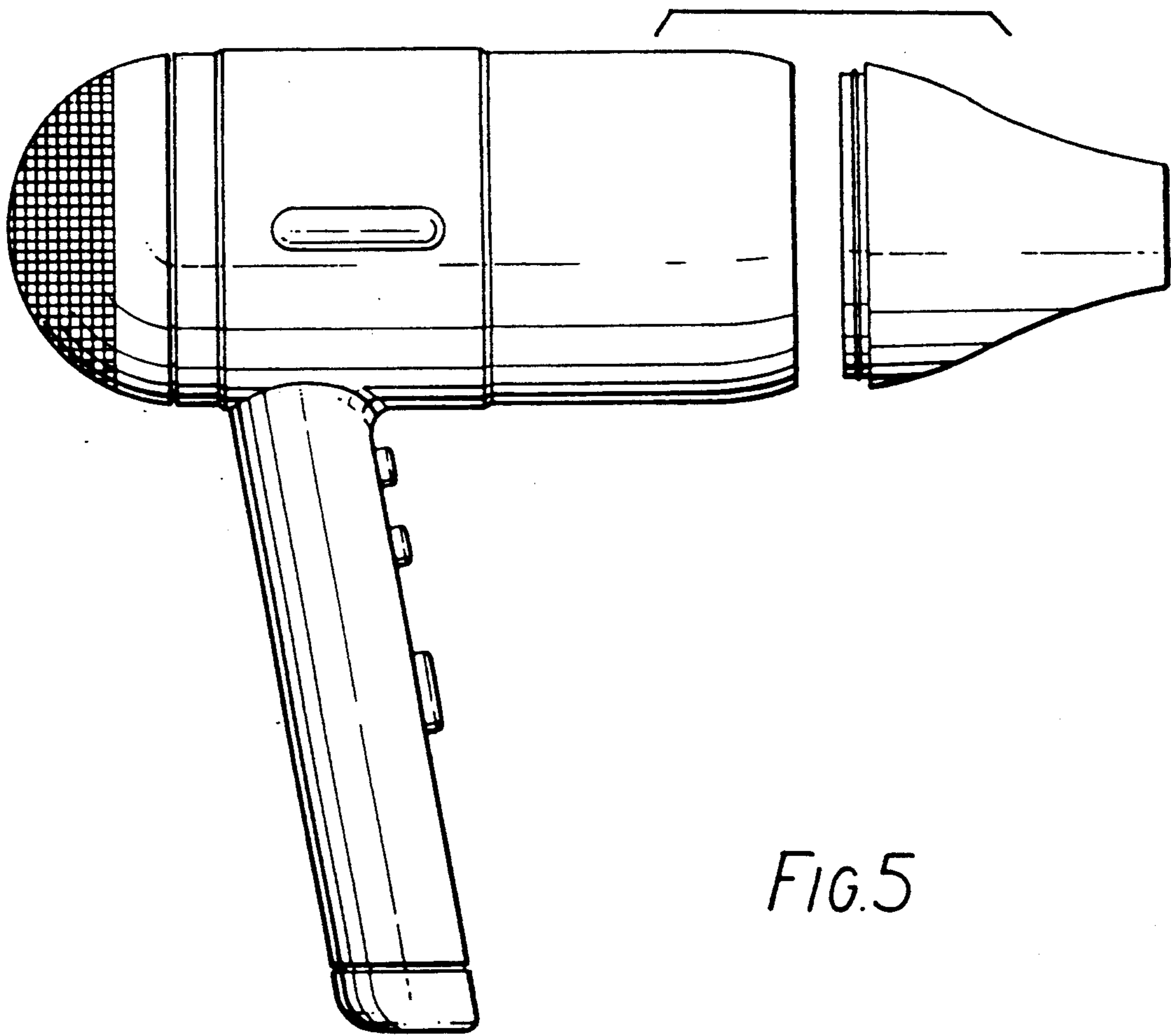


FIG. 5

FIG. 6

