



US00D343690S

United States Patent [19]

[11] Patent Number: **Des. 343,690**

Carey

[45] Date of Patent: **** Jan. 25, 1994**

[54] **CROWD CONTROL BELT POST**

[75] Inventor: **Bruce P. Carey, Saugus, Calif.**

[73] Assignee: **Lavi Industries, Valencia, Calif.**

[**] Term: **14 Years**

[21] Appl. No.: **506,758**

[22] Filed: **Apr. 9, 1990**

[52] U.S. Cl. **D25/51; D25/131**

[58] Field of Search **52/300, 301; 49/34, 49/36, 42; 256/1, 3; D25/50, 51, 119-125, 126, 131**

[56] **References Cited**

U.S. PATENT DOCUMENTS

3,462,110	8/1969	Cheslock	D25/131
4,142,343	3/1979	Trafton	D25/122
4,548,377	10/1985	Huel	40/607
4,844,420	7/1989	Oster	49/34

FOREIGN PATENT DOCUMENTS

287510 10/1988 European Pat. Off. 49/34

OTHER PUBLICATIONS

1981 Sweets Publication Section 10,15/ALV p. 14 top center of page post model FD12.

Primary Examiner—A. Hugo Word

Assistant Examiner—Doris Clark

Attorney, Agent, or Firm—Rothwell, Figg, Ernst & Kurz

[57] **CLAIM**

The ornamental design for a crowd control belt post, as shown and described.

DESCRIPTION

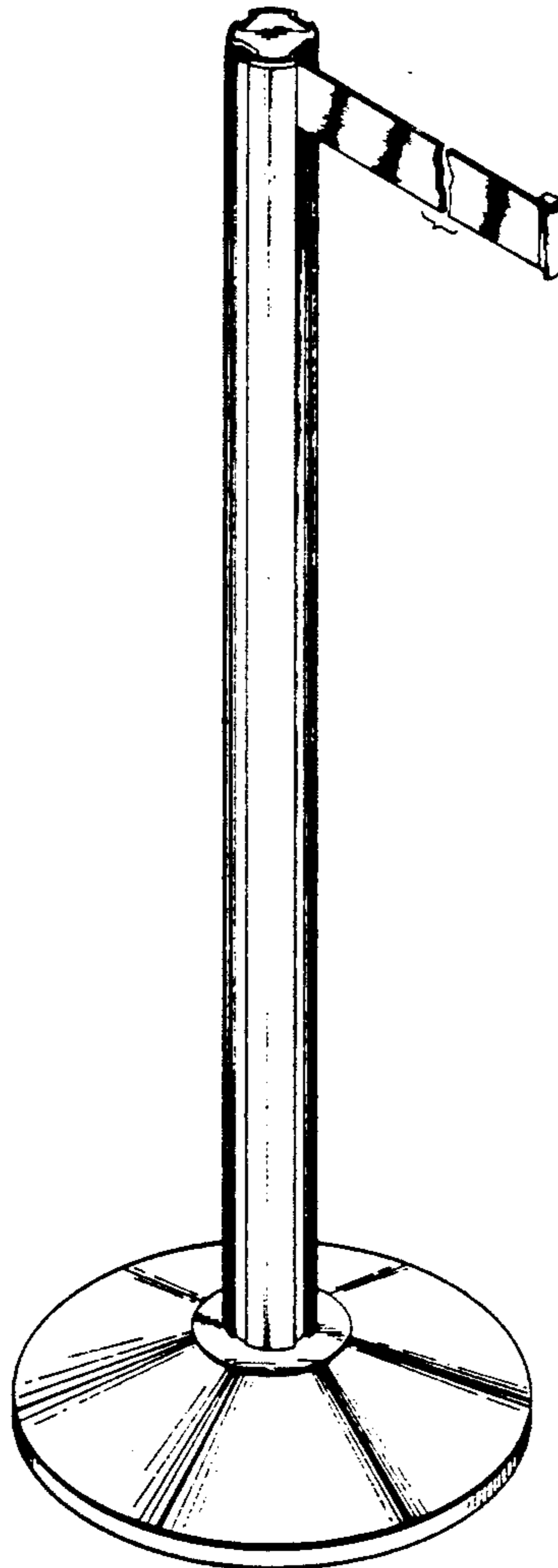
FIG. 1 is perspective view of a crowd control belt post showing my new design;

FIG. 2 is a side elevational view thereof;

FIG. 3 is a top plan view thereof;

FIG. 4 is a bottom plan view thereof; and,

FIG. 5 is a cross-sectional view taken along line 5—5 of FIG. 2.



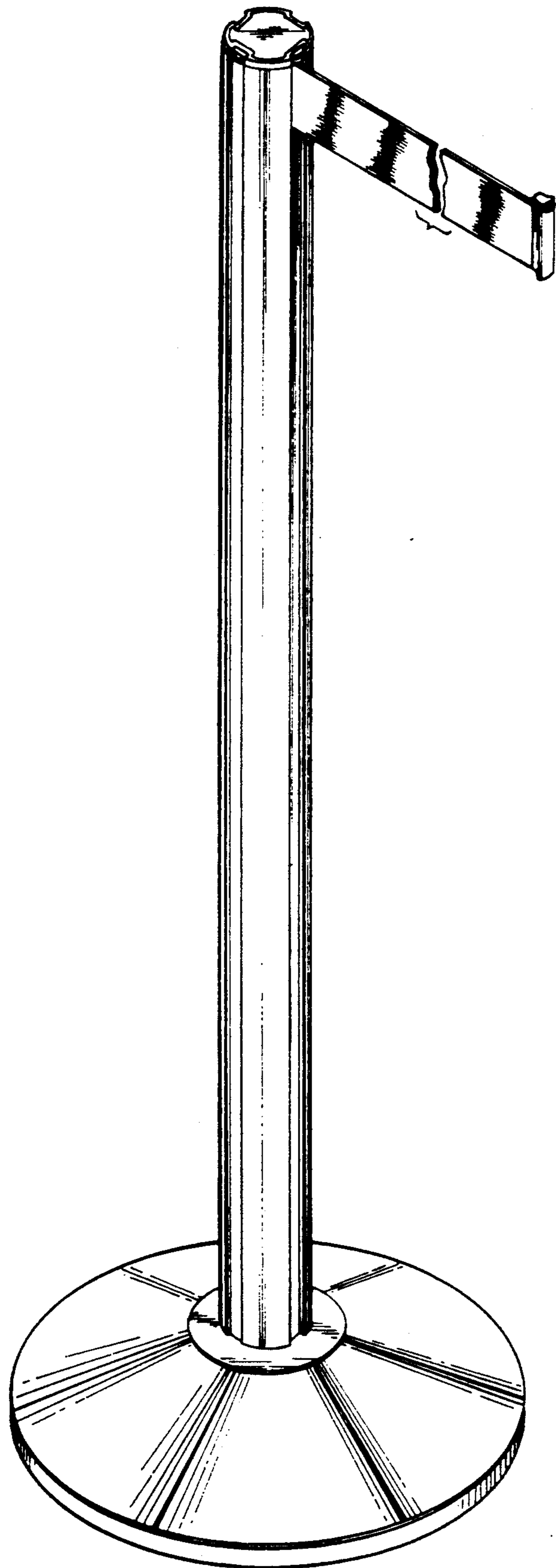


FIG. 1

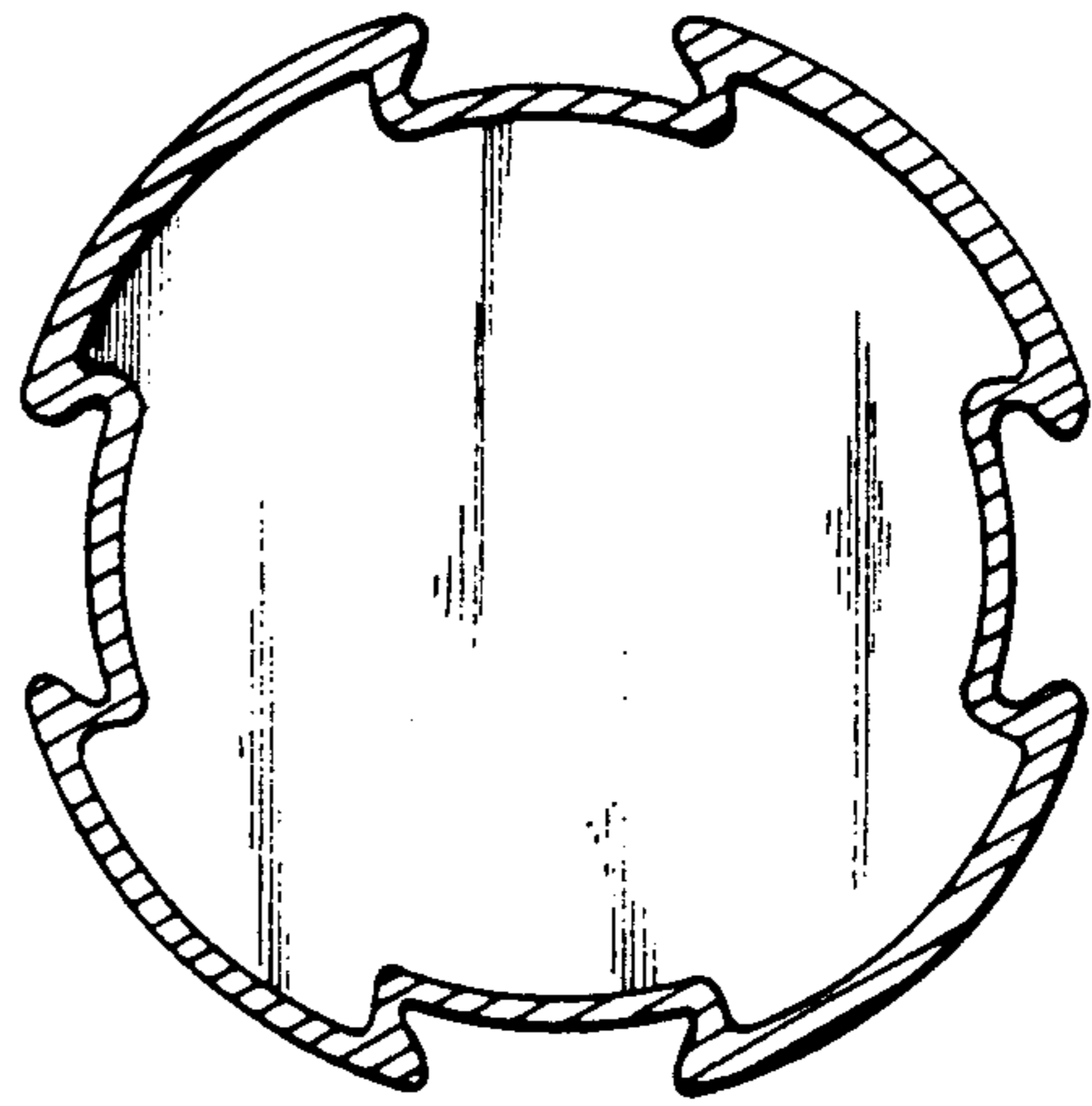


FIG. 5

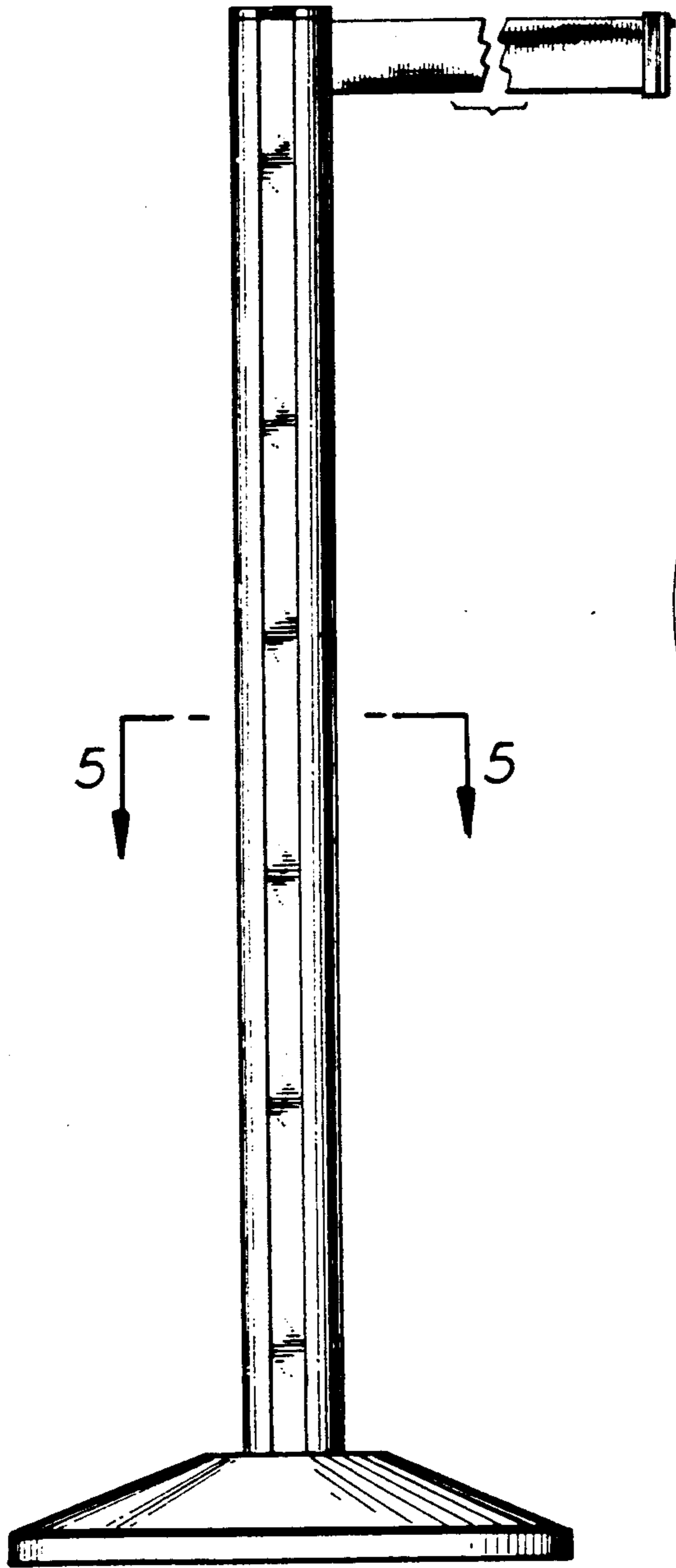


FIG. 2

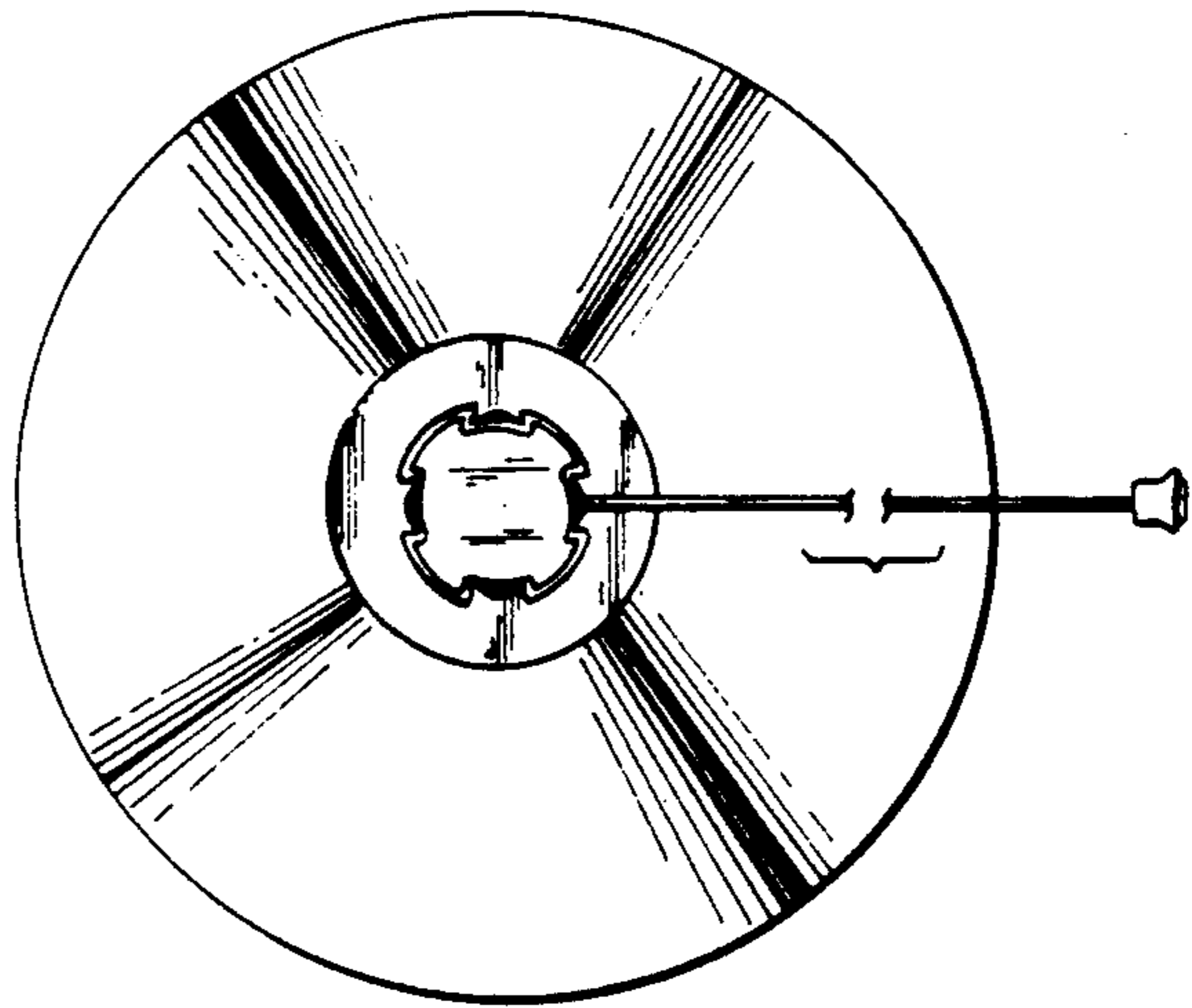


FIG. 3

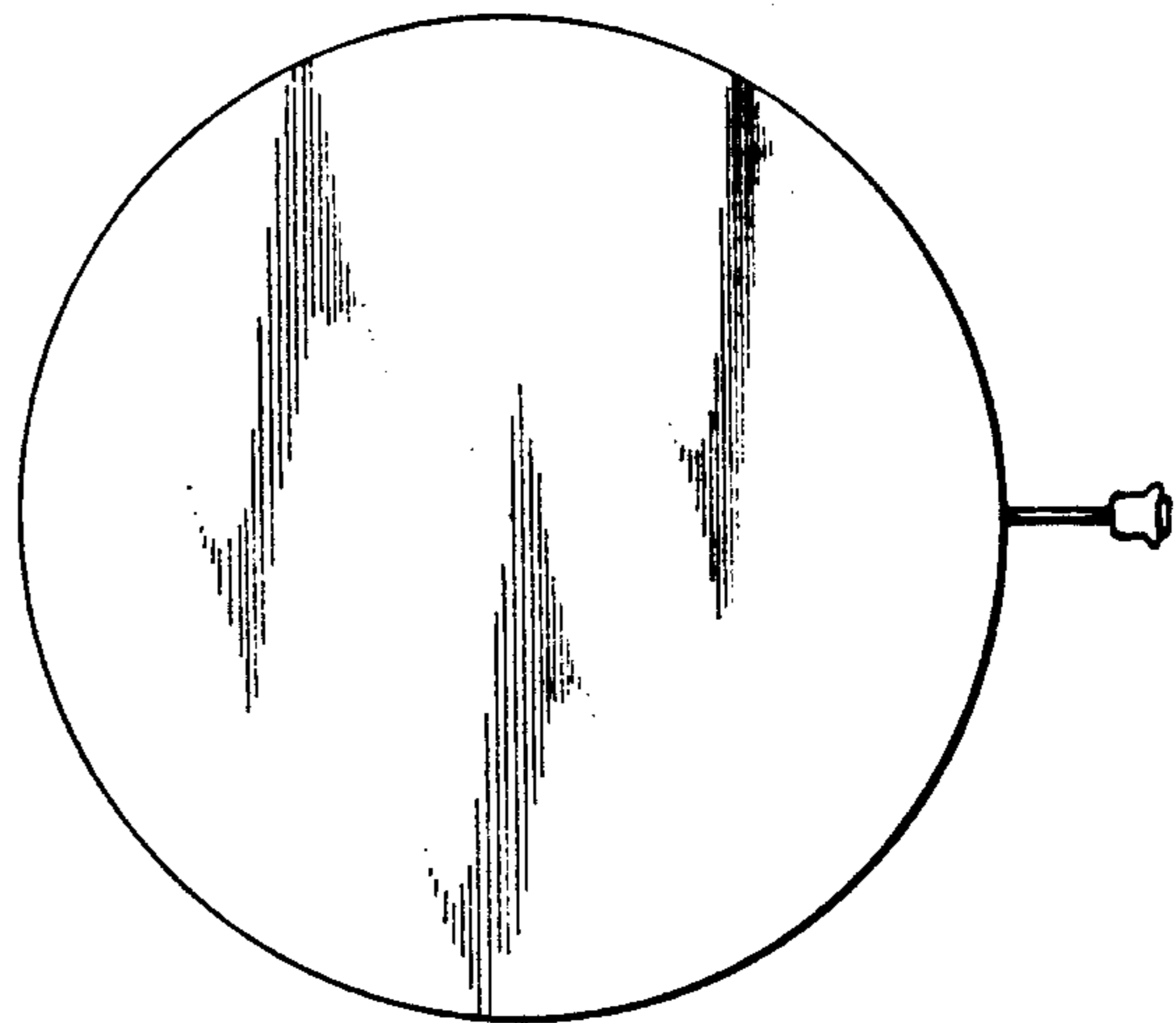


FIG. 4