



US00D343689S

# United States Patent [19] Green

[11] Patent Number: Des. 343,689

[45] Date of Patent: \*\* Jan. 25, 1994

[54] ALL TERRAIN FOLDING UMBRELLA  
BLIND

[76] Inventor: Stephen D. Green, 3910 Weldon Dr.,  
East Ridge, Tenn. 37412

[\*\*] Term: 14 Years

[21] Appl. No.: 953,589

[22] Filed: Sep. 30, 1992

[52] U.S. Cl. .... D25/16; D25/56;  
135/16; D3/5

[58] Field of Search ..... D3/5; 135/95-96,  
135/16; D25/1, 16, 14, 56

[56] **References Cited**

**U.S. PATENT DOCUMENTS**

D. 149,906	6/1948	Puls	.....	D25/56
D. 183,486	9/1958	Goundie et al.	.....	D25/56
D. 275,888	10/1984	Lauer et al.	.....	D25/1
D. 306,762	3/1990	Aquino	.....	D25/56
2,934,076	4/1960	Fulke	.....	135/106
3,184,235	5/1965	Hilbrich	.....	273/26 A
3,284,965	11/1966	Michenfelder	.....	D25/56
3,374,798	3/1968	Samuelson	.....	135/33.7
3,936,969	2/1976	Richard	.....	D25/16
4,061,154	12/1977	Cox et al.	.....	135/33.41
4,109,424	8/1978	Block	.....	135/106
4,458,707	7/1984	Lindaman	.....	135/16
4,677,796	7/1987	Mellott	.....	52/82
4,711,260	12/1987	Weins et al.	.....	135/16
4,813,442	3/1989	Haines	.....	135/98

4,836,231 6/1989 Peterson ..... 135/98

**FOREIGN PATENT DOCUMENTS**

1326938	4/1963	France	.....	135/16
0669084	2/1989	Switzerland	.....	135/16
2196359	4/1988	United Kingdom	.....	135/96

**OTHER PUBLICATIONS**

Bow Hunter's Porta-Blind.

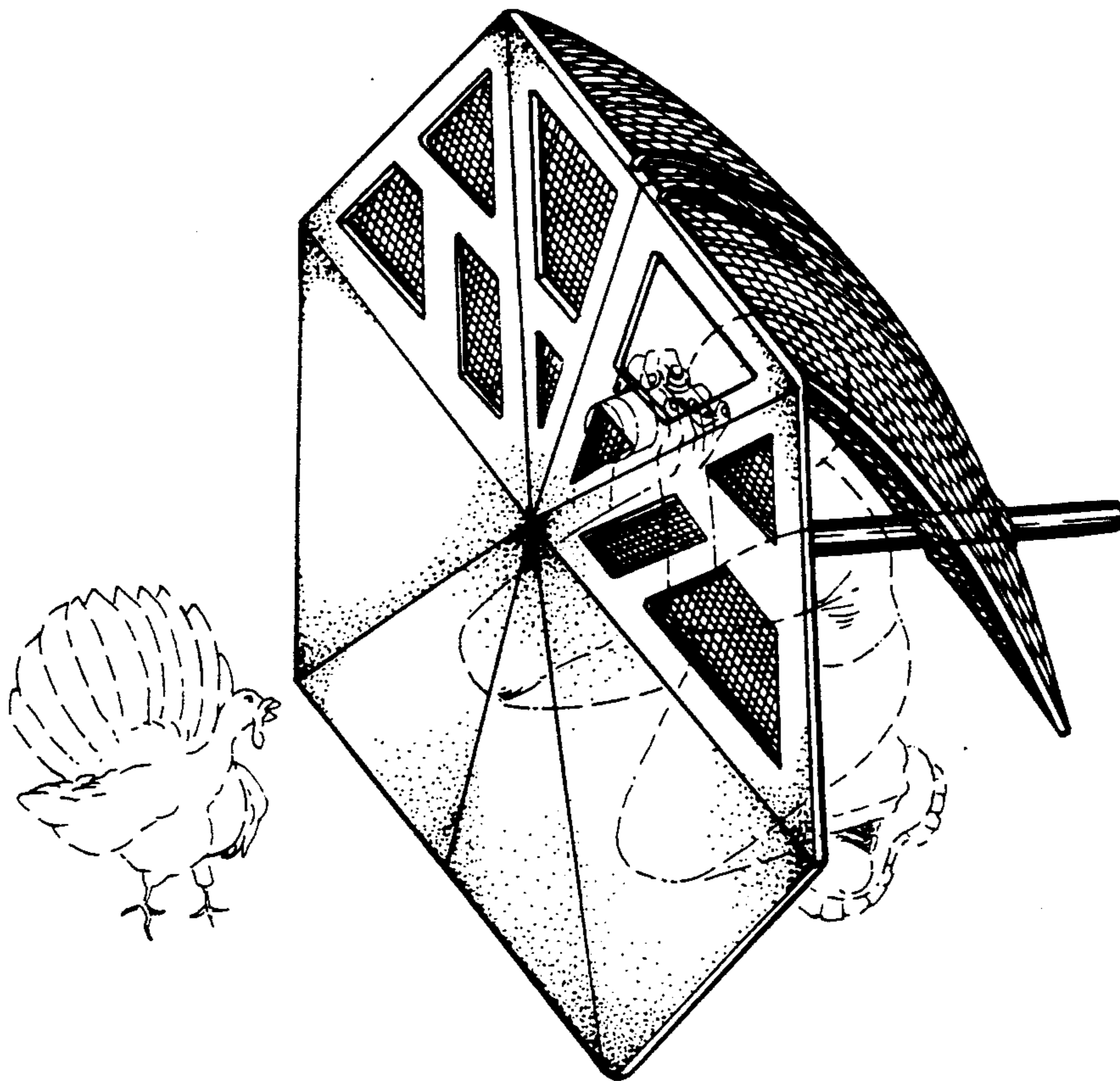
*Primary Examiner*—A. Hugo Word  
*Assistant Examiner*—CathyAnne MacCormac  
*Attorney, Agent, or Firm*—Richard C. Litman

[57] **CLAIM**

The ornamental design for an all terrain folding umbrella blind, as shown and described.

**DESCRIPTION**

FIG. 1 is a perspective view of an all terrain folding umbrella blind showing my new design, a portion of the screen has been removed for clarity of illustration; FIG. 2 is a front elevational view thereof; FIG. 3 is a rear elevational view thereof; FIG. 4 is a top plan view thereof; FIG. 5 is a bottom plan view thereof; and, FIG. 6 is a right side elevational view with the left side being a mirror image thereof. The broken line showing of a user and a fowl is for illustrative purposes only and forms no part of the claimed design.



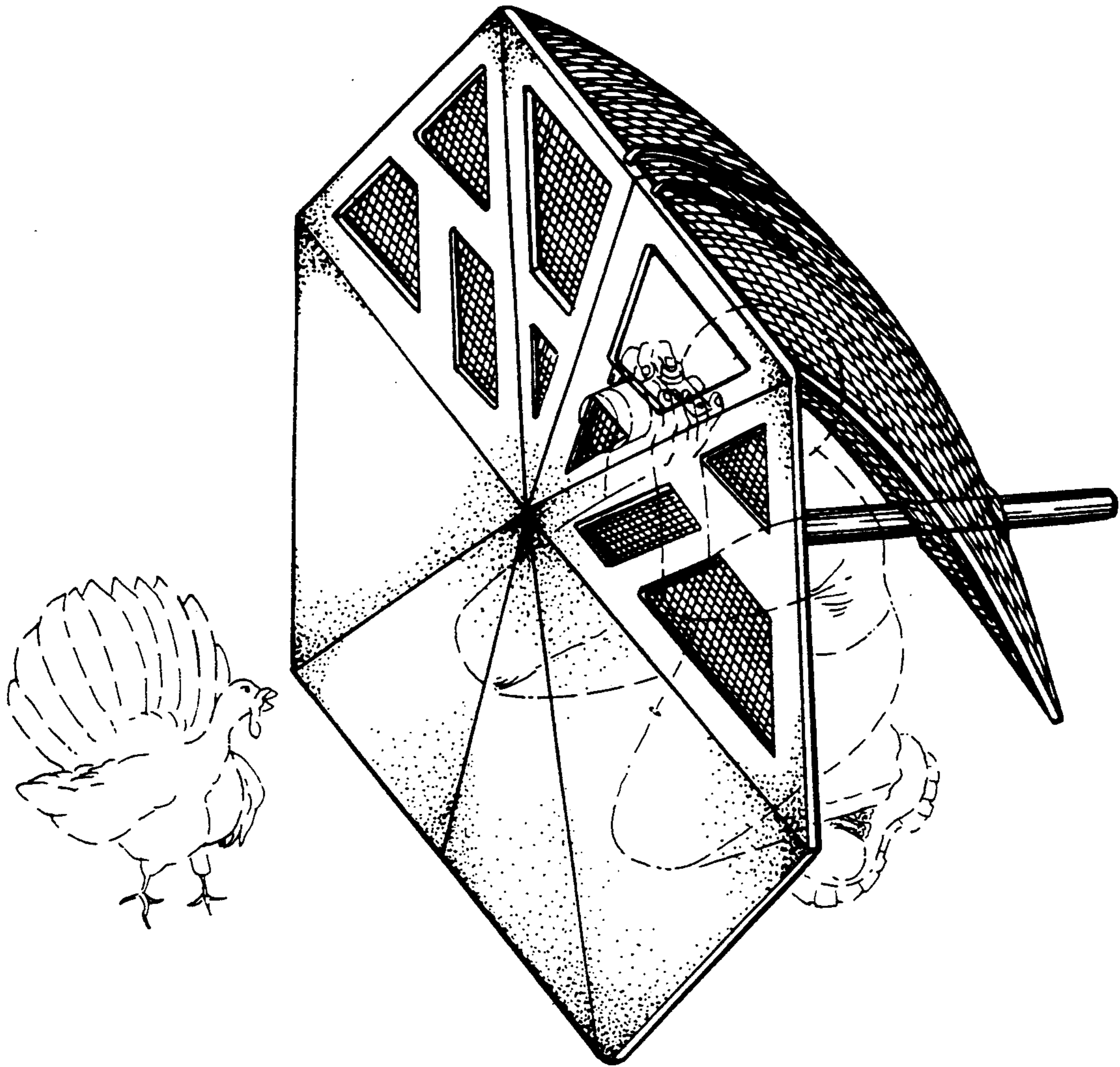


FIG. 1

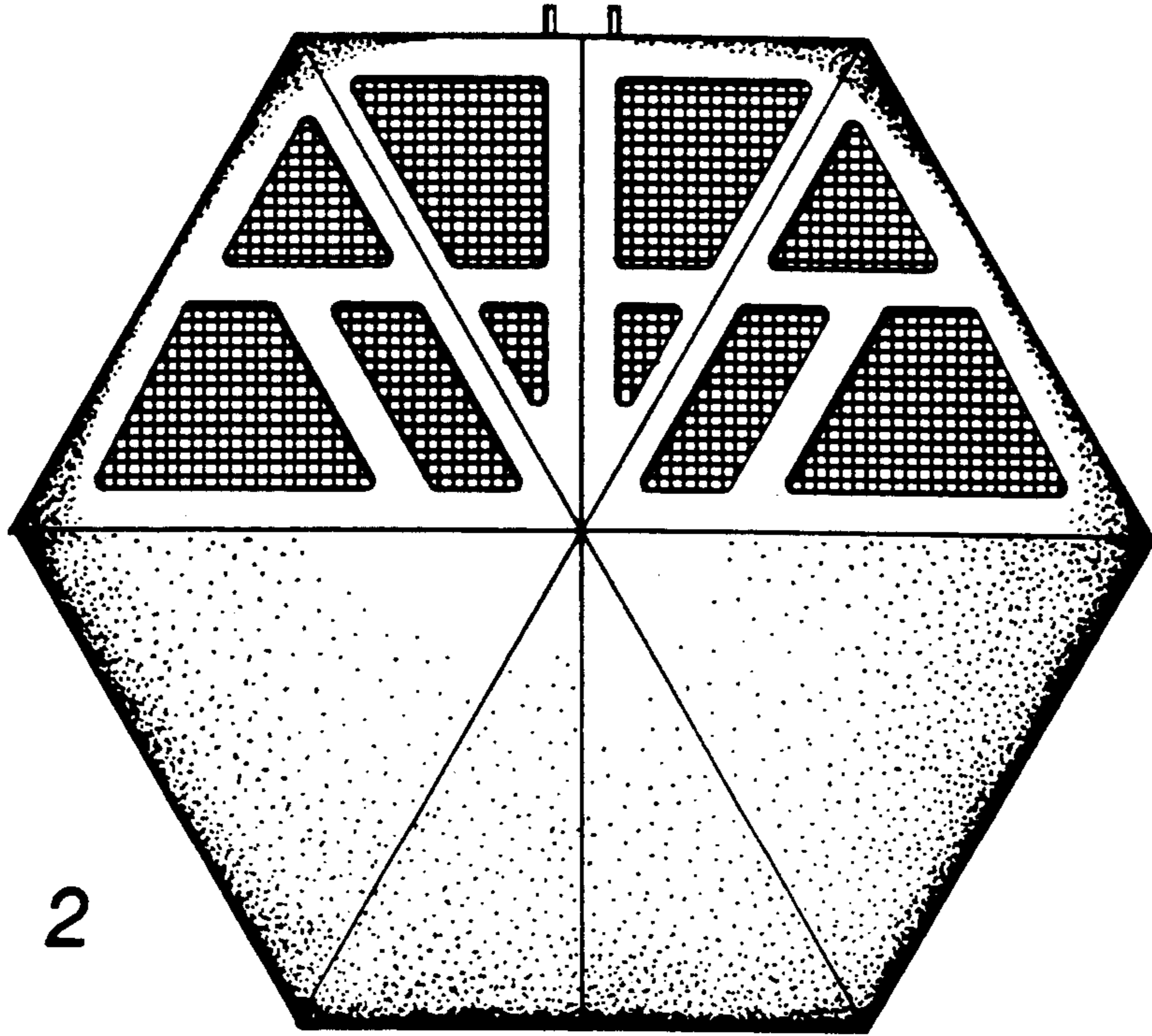


FIG. 2

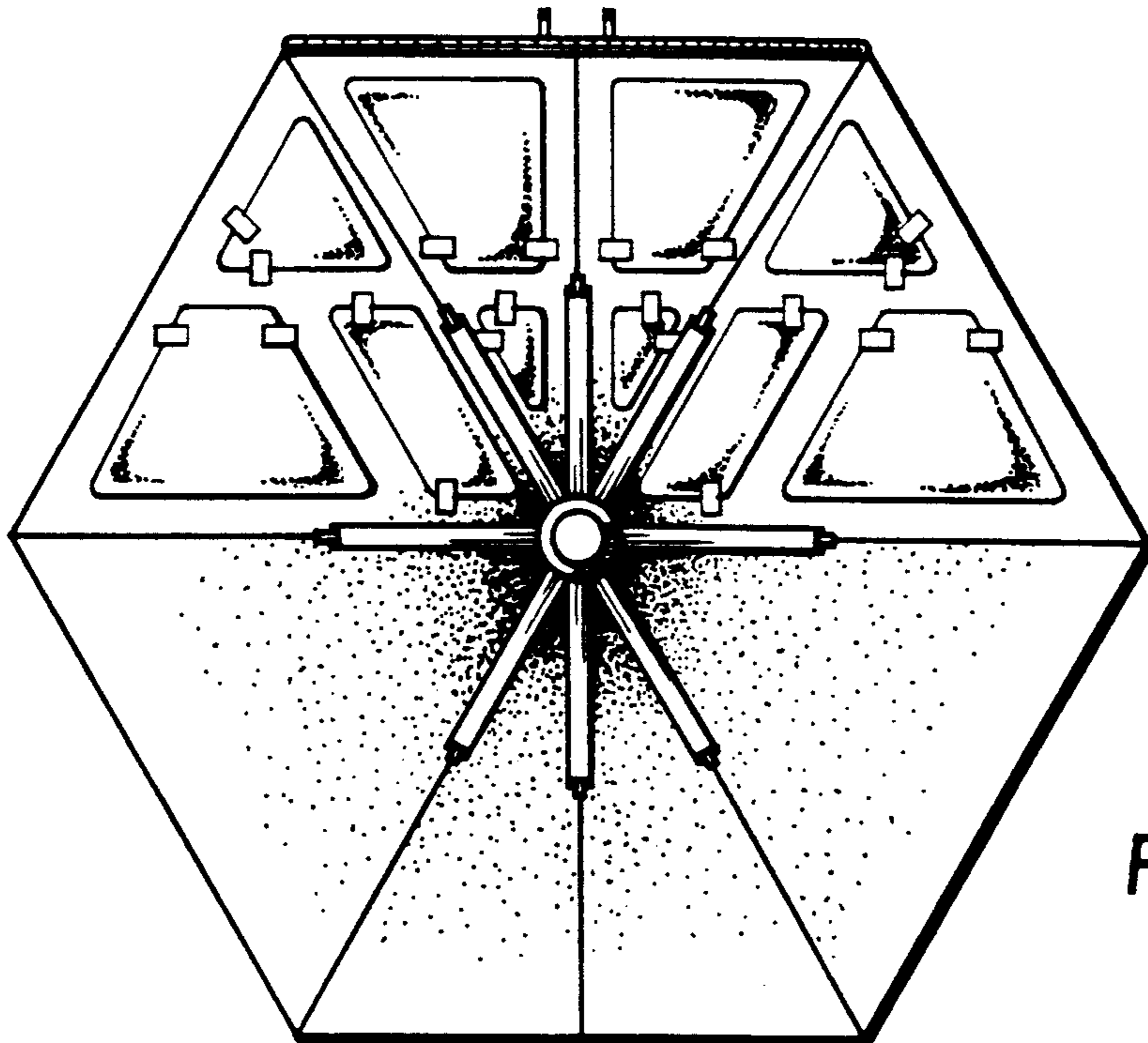


FIG. 3

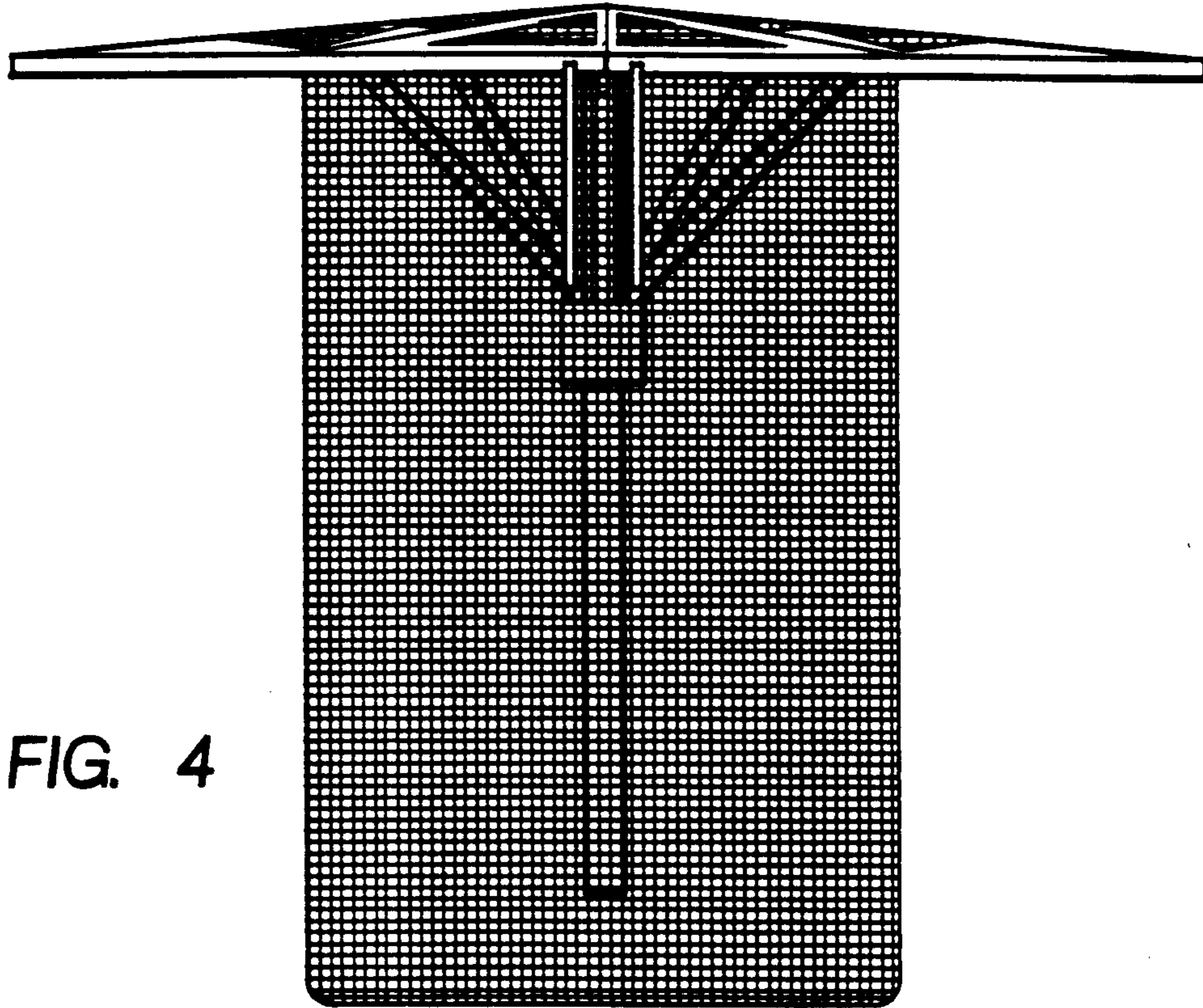


FIG. 4

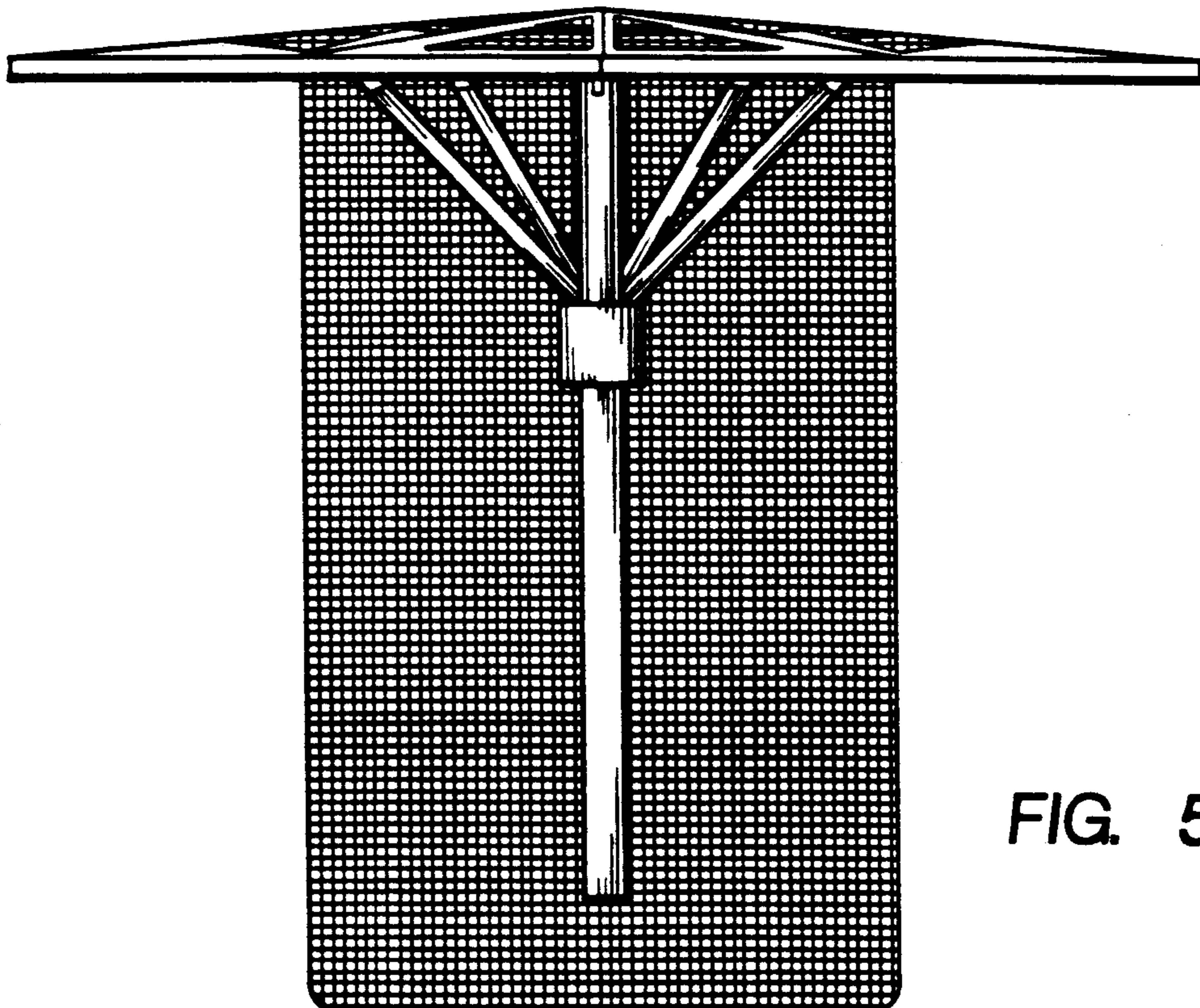


FIG. 5

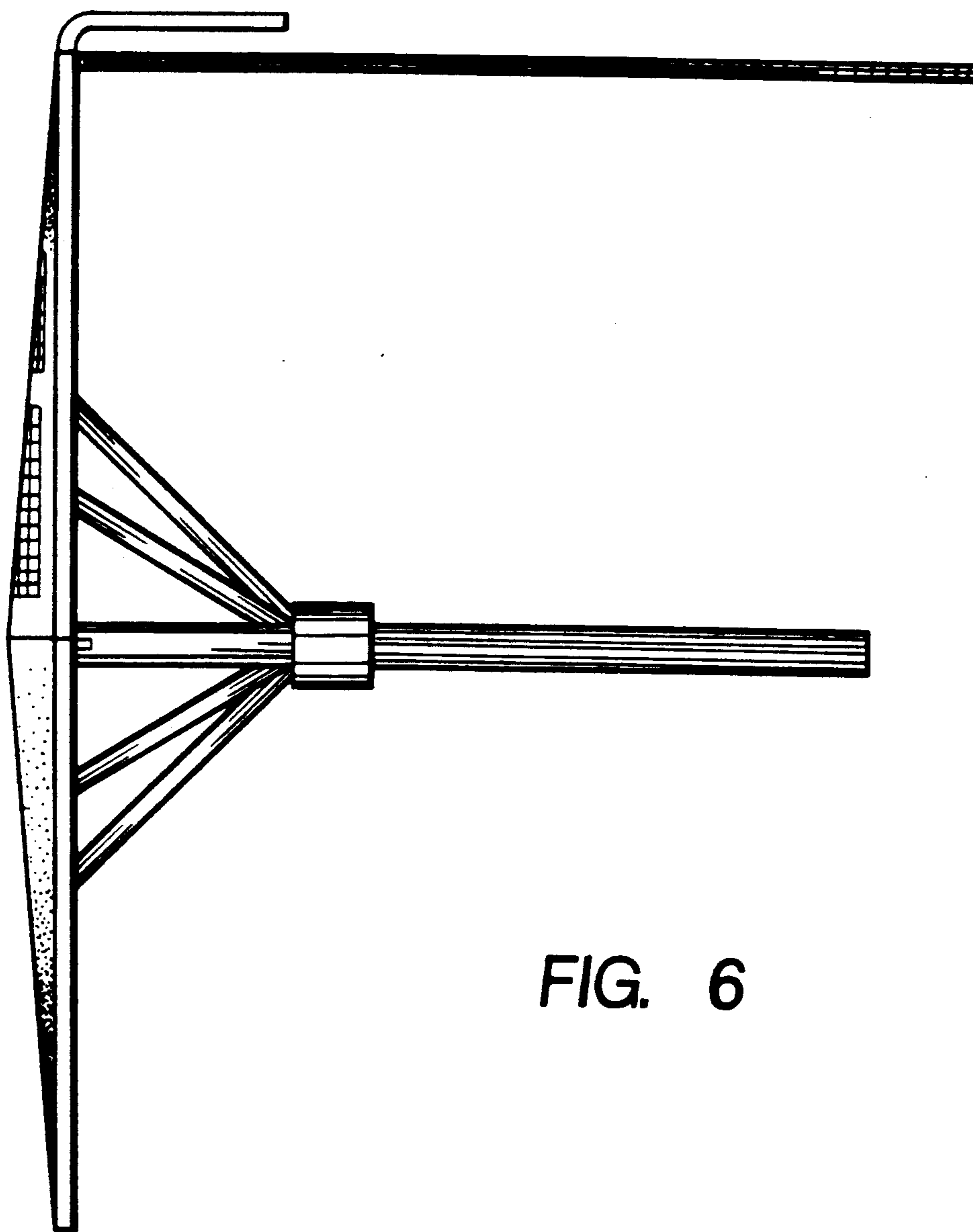


FIG. 6