



US00D343687S

United States Patent [19]

Houghton et al.

[11] Patent Number: Des. 343,687

[45] Date of Patent: ** Jan. 25, 1994

[54] **BIOPSY PROCEDURE TRAY**

[75] Inventors: **Frederick C. Houghton, Sussex;**
Lawrence Partika, Bridgewater;
Joseph J. Gregg, Hasbrouck Heights,
all of N.J.

[73] Assignee: **Becton, Dickinson and Company,**
Franklin Lakes, N.J.

[**] Term: **14 Years**

[21] Appl. No.: **817,255**

[22] Filed: **Jan. 6, 1992**

[52] U.S. Cl. **D24/229; D24/227;**
D24/230

[58] Field of Search 206/557, 562, 563, 564,
206/565, 363, 364, 365, 366; 220/908; 604/192,
263; D24/227, 229

[56] **References Cited**

U.S. PATENT DOCUMENTS

D. 202,013	8/1965	Hamilton	D24/229
D. 202,599	10/1965	Goyke	D24/230
D. 288,234	2/1987	Blatherwick et al.	D24/230
D. 297,167	8/1988	Steinman	D24/230
4,153,160	5/1979	Leigh	206/370

4,266,669	5/1981	Watson	206/564
4,293,074	10/1981	Dunsky	206/564 X
4,595,102	6/1986	Cianci et al.	D24/230 X

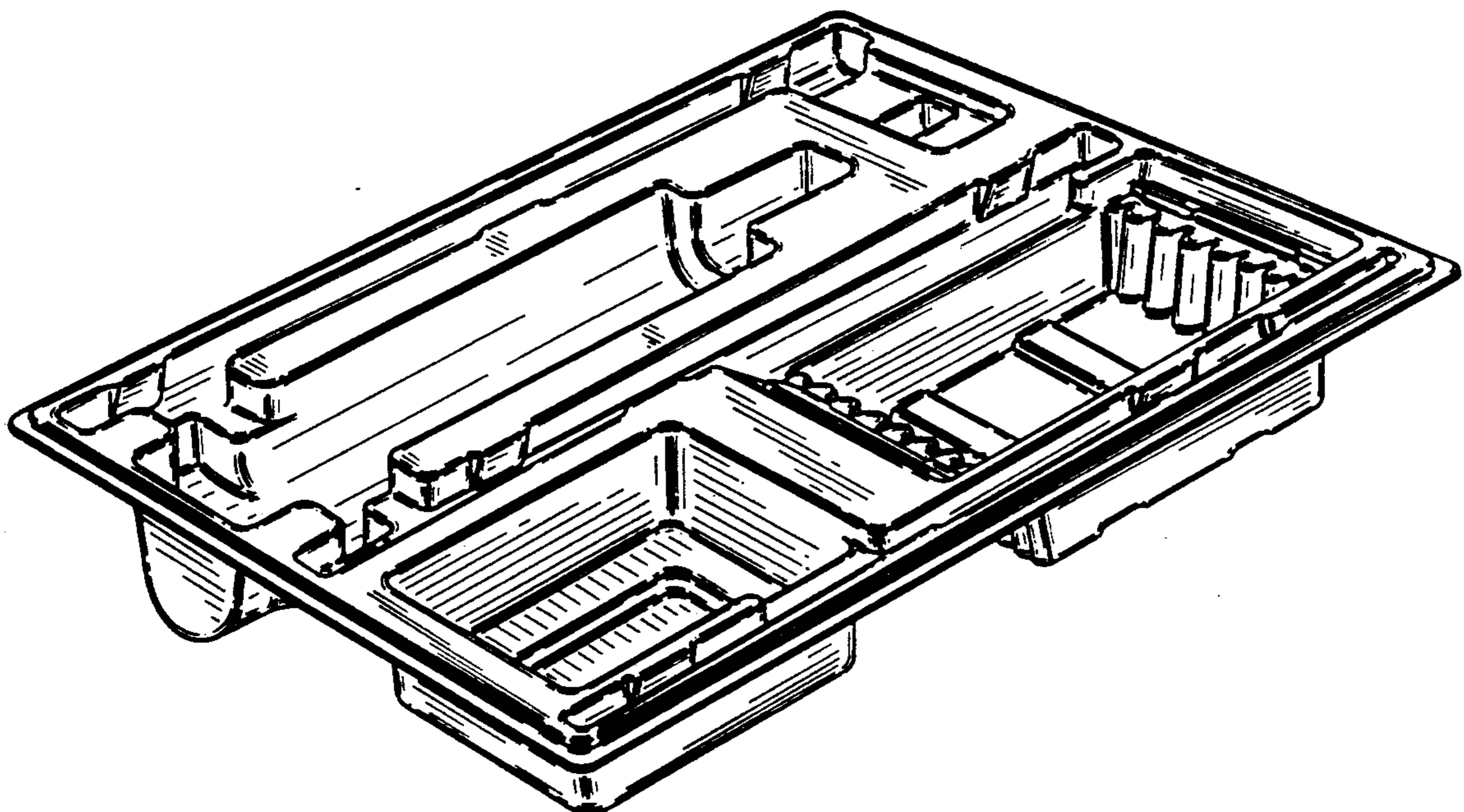
Primary Examiner—A. Hugo Word
Assistant Examiner—I. Simmons
Attorney, Agent, or Firm—John L. Voellmicke

[57] **CLAIM**

The ornamental design for a biopsy procedure tray, as shown and described.

DESCRIPTION

FIG. 1 is a perspective view of a biopsy procedure tray, showing our design;
FIG. 2 is a top plan view of the biopsy procedure tray of FIG. 1;
FIG. 3 is a left-side elevational view of the biopsy procedure tray of FIG. 1;
FIG. 4 is a front side elevational view of the biopsy procedure tray of FIG. 1;
FIG. 5 is a right-side elevational view of the biopsy procedure tray of FIG. 1;
FIG. 6 is a back side elevational view of the biopsy procedure tray of FIG. 1; and,
FIG. 7 is a bottom plan view of the biopsy procedure tray of FIG. 1.



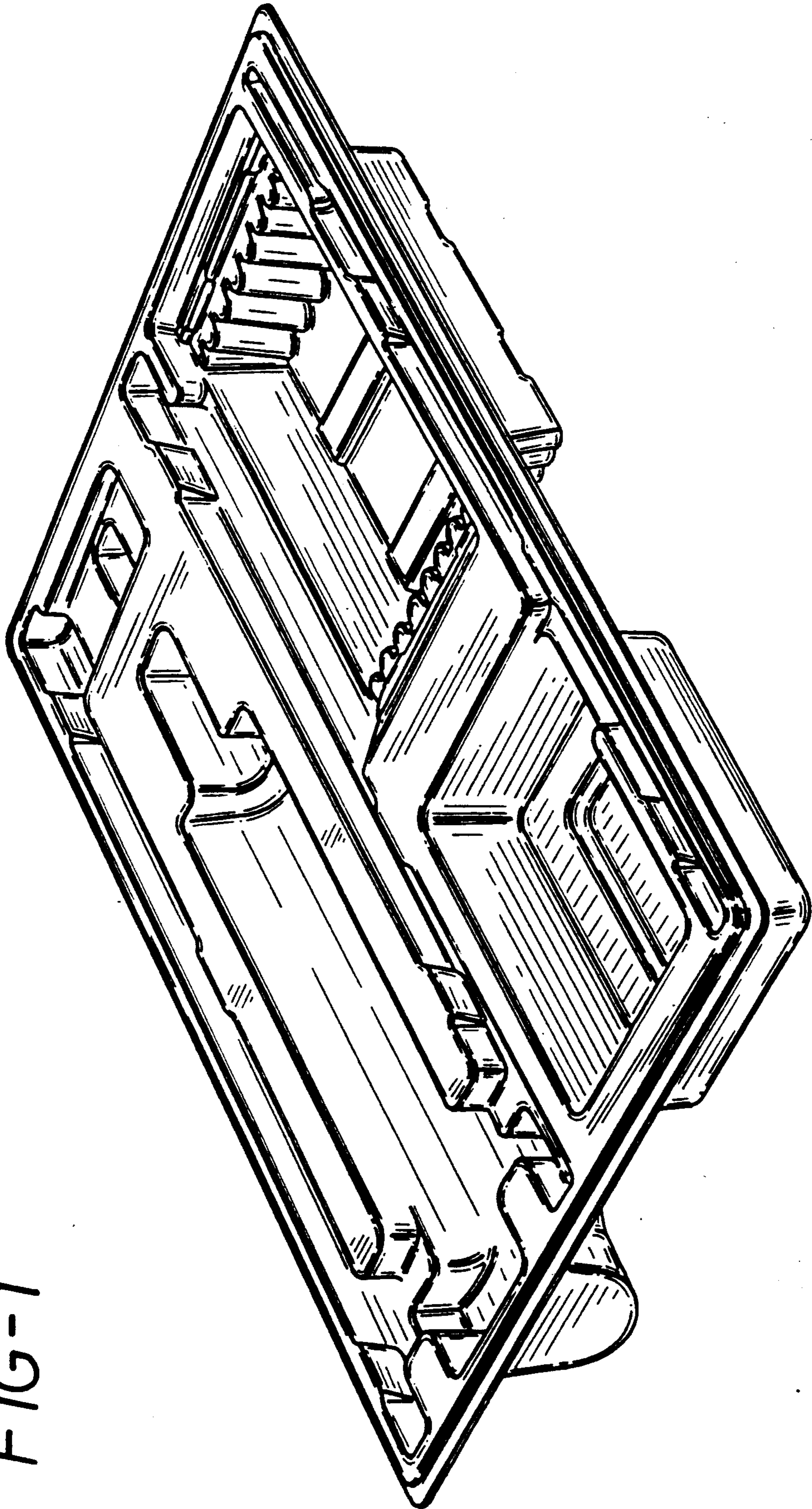


FIG-1

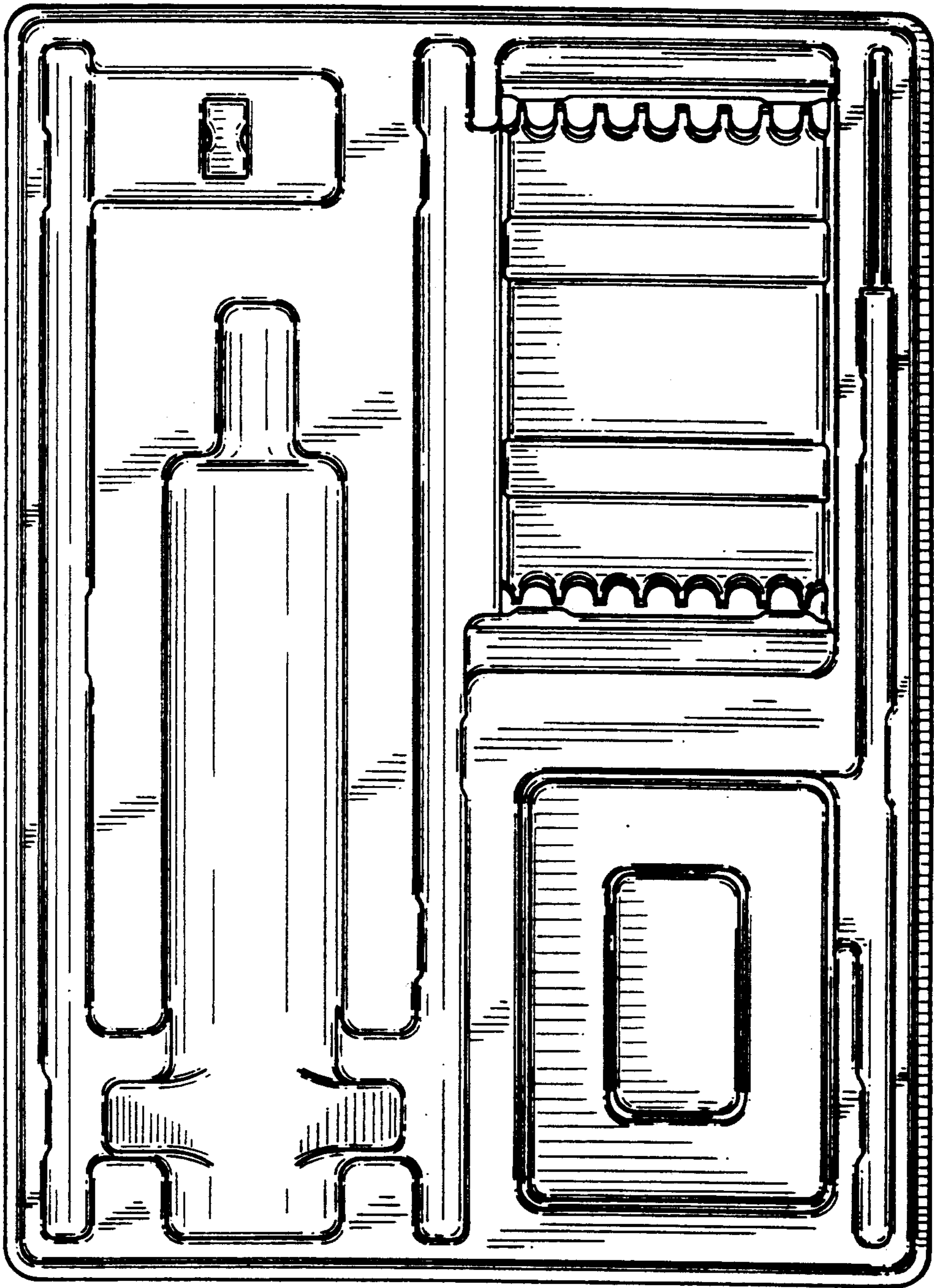


FIG-2

FIG-3

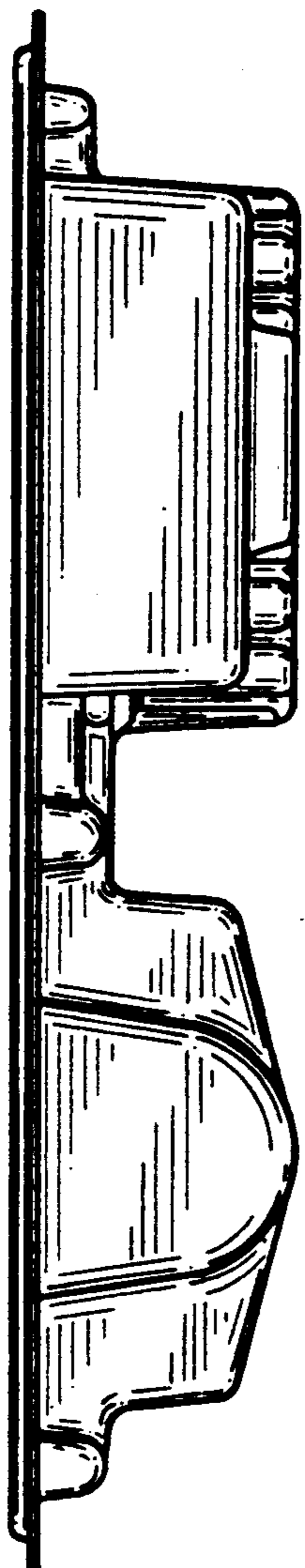


FIG-4

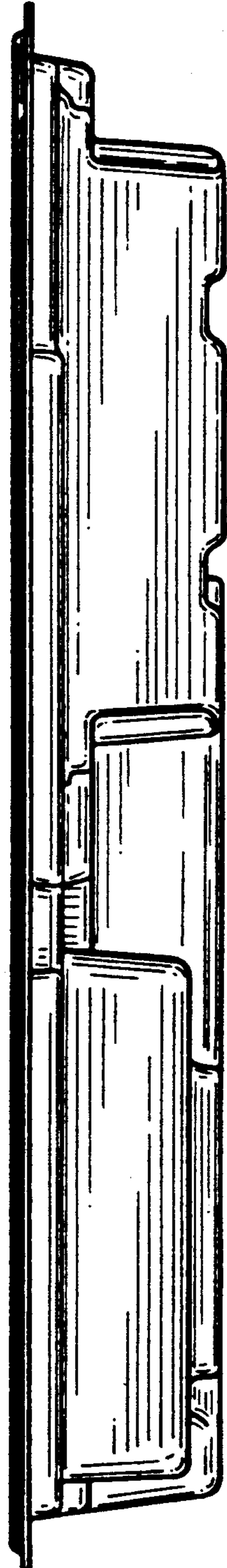


FIG-5

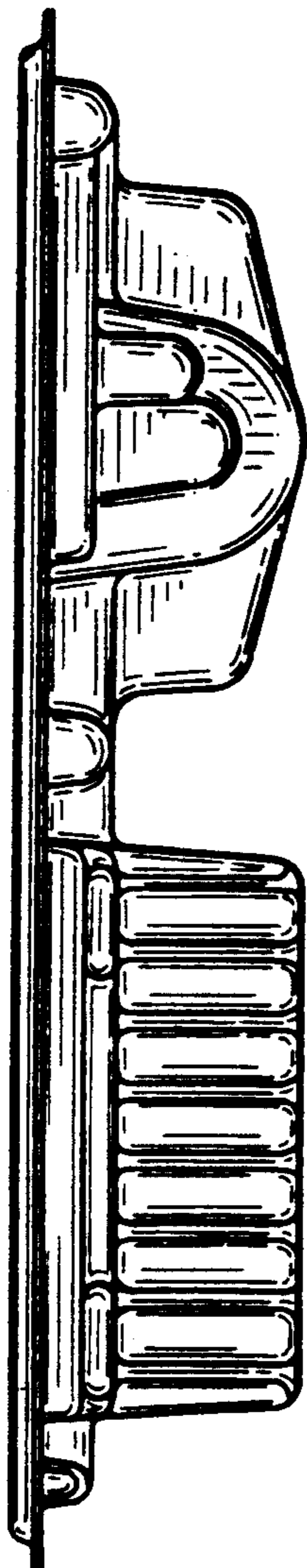
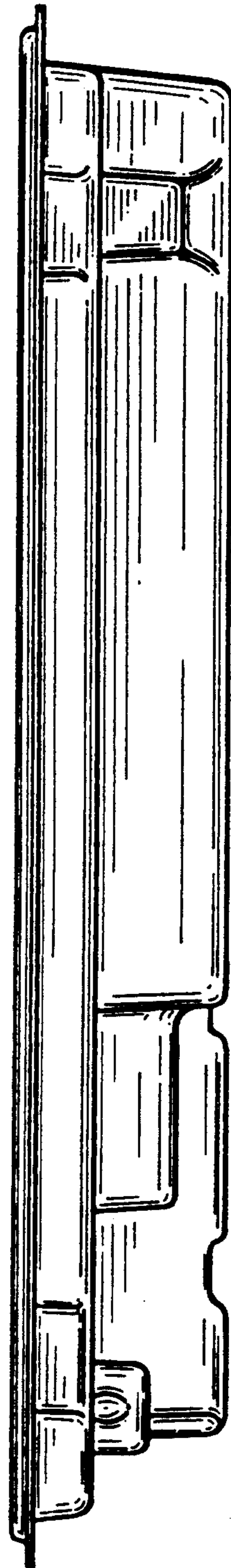


FIG-6



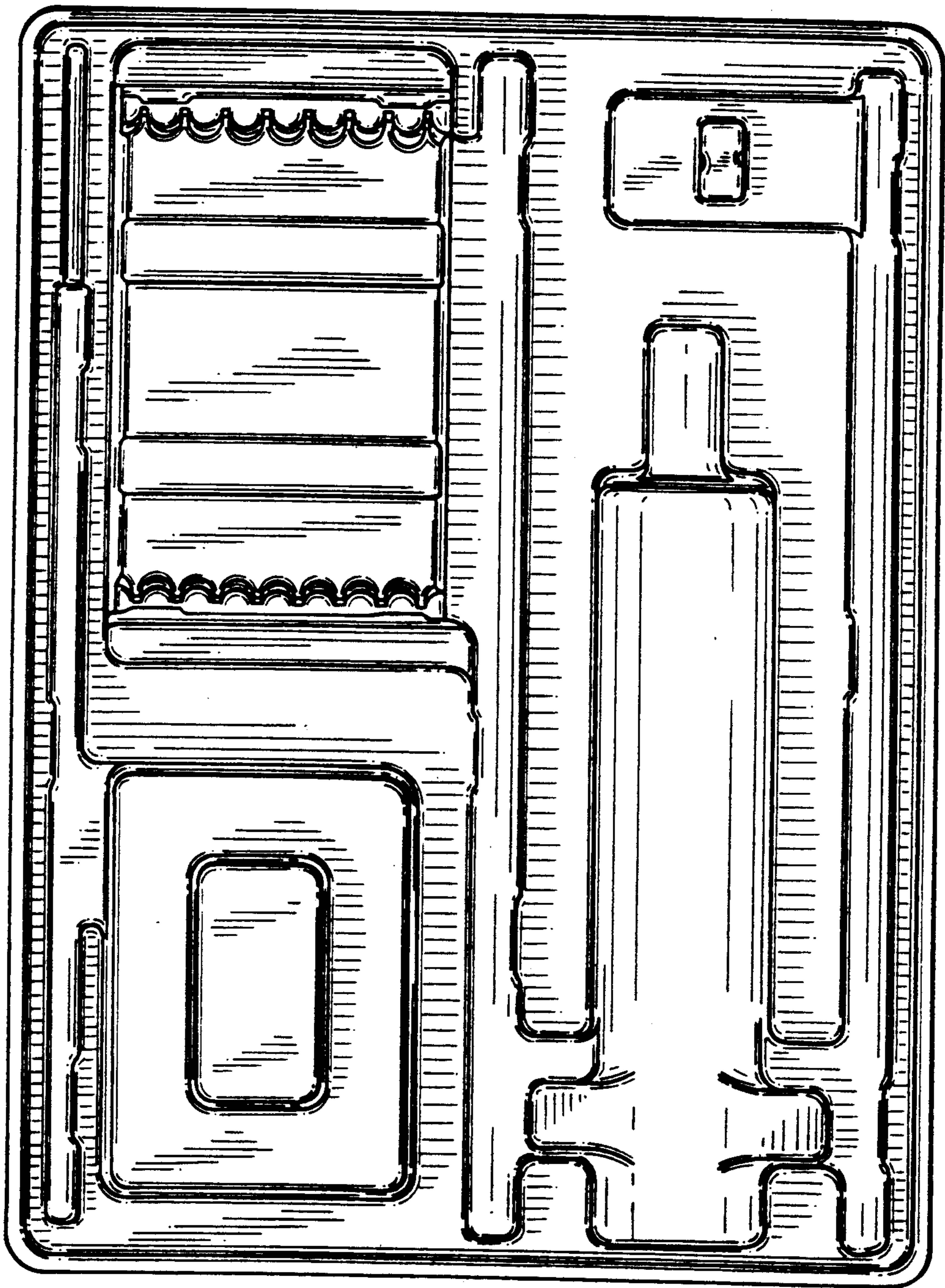


FIG-7