



US00D343677S

# United States Patent [19]

[11] Patent Number: **Des. 343,677**

Gyori et al.

[45] Date of Patent: **\*\* Jan. 25, 1994**

[54] **COMBINED AIR CLEANER AND IONIZER**

*Attorney, Agent, or Firm—Laff, Whitesel, Conte & Saret*

[75] Inventors: **Phil Gyori, Chicago; Edward Ennis, Niles, both of Ill.**

[57] **CLAIM**

The ornamental design for a combined air cleaner and ionizer, as shown.

[73] Assignee: **Pollenex Corporation, Chicago, Ill.**

[\*\*] Term: **14 Years**

### DESCRIPTION

[21] Appl. No.: **2,529**

FIG. 1 is a perspective view of a combined air cleaner and ionizer;

[22] Filed: **Dec. 15, 1992**

FIG. 2 is a front elevation view of a air cleaner with ionizer;

[52] U.S. Cl. .... **D23/364; D26/51**

FIG. 3 is a back elevation view of a combined air cleaner and ionizer;

[58] Field of Search ..... **422/121, 4, 5, 22; 55/356; D23/364; D26/51**

FIG. 4 is a right side elevation view of a combined air cleaner and ionizer;

[56] **References Cited**

### U.S. PATENT DOCUMENTS

D. 154,471 7/1949 Ginsberg et al. .... D26/51

D. 272,646 2/1984 Tsuji et al. .... D23/364

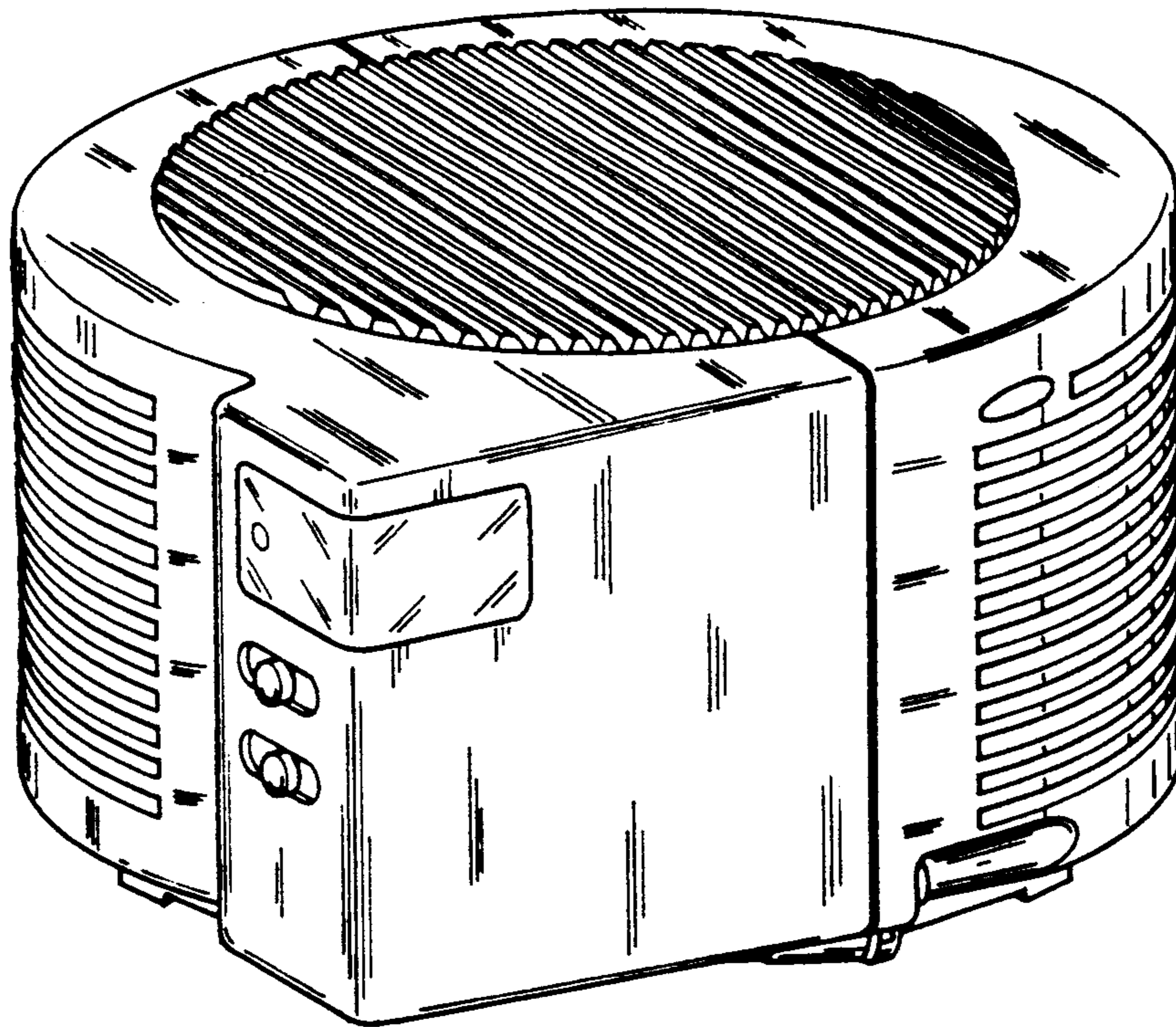
FIG. 5 is a left side elevation view of a combined air cleaner and ionizer;

FIG. 6 is a top plan view of a combined air cleaner and ionizer; and,

*Primary Examiner—Wallace R. Burke*

*Assistant Examiner—Lisa Lichtenstein*

FIG. 7 is a bottom plan view of a combined air cleaner and ionizer.



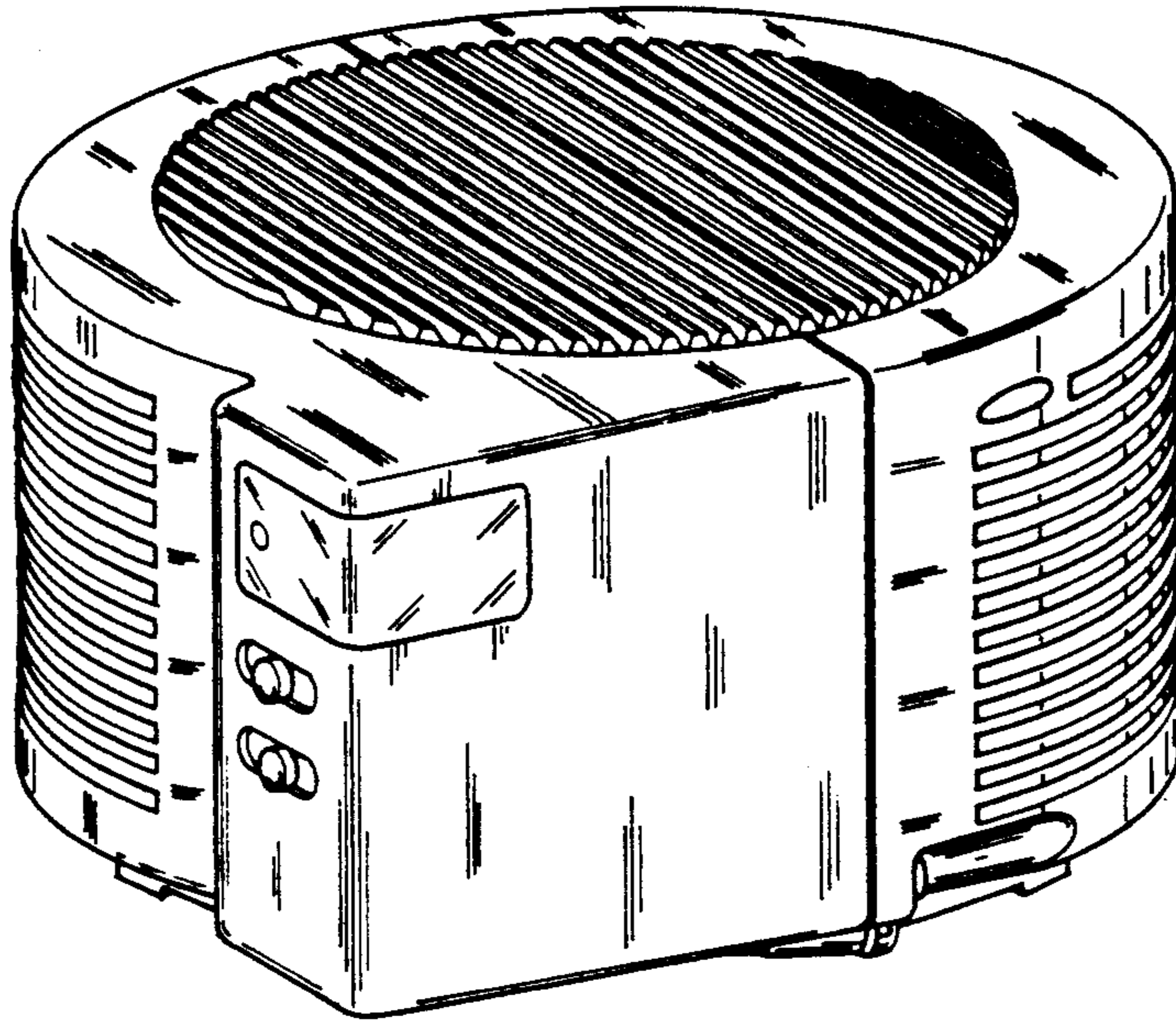


FIG. 1

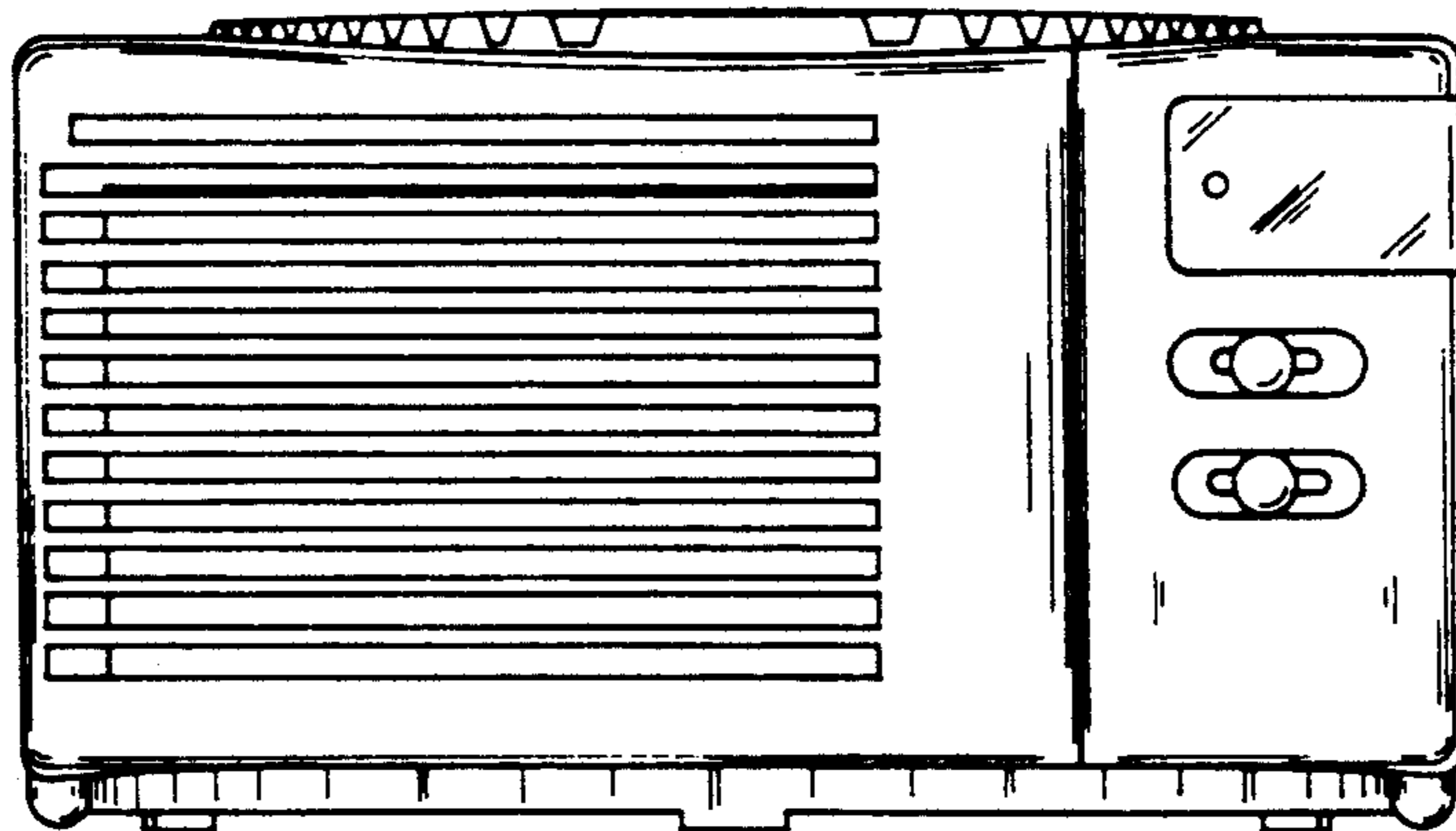


FIG. 2



FIG. 3

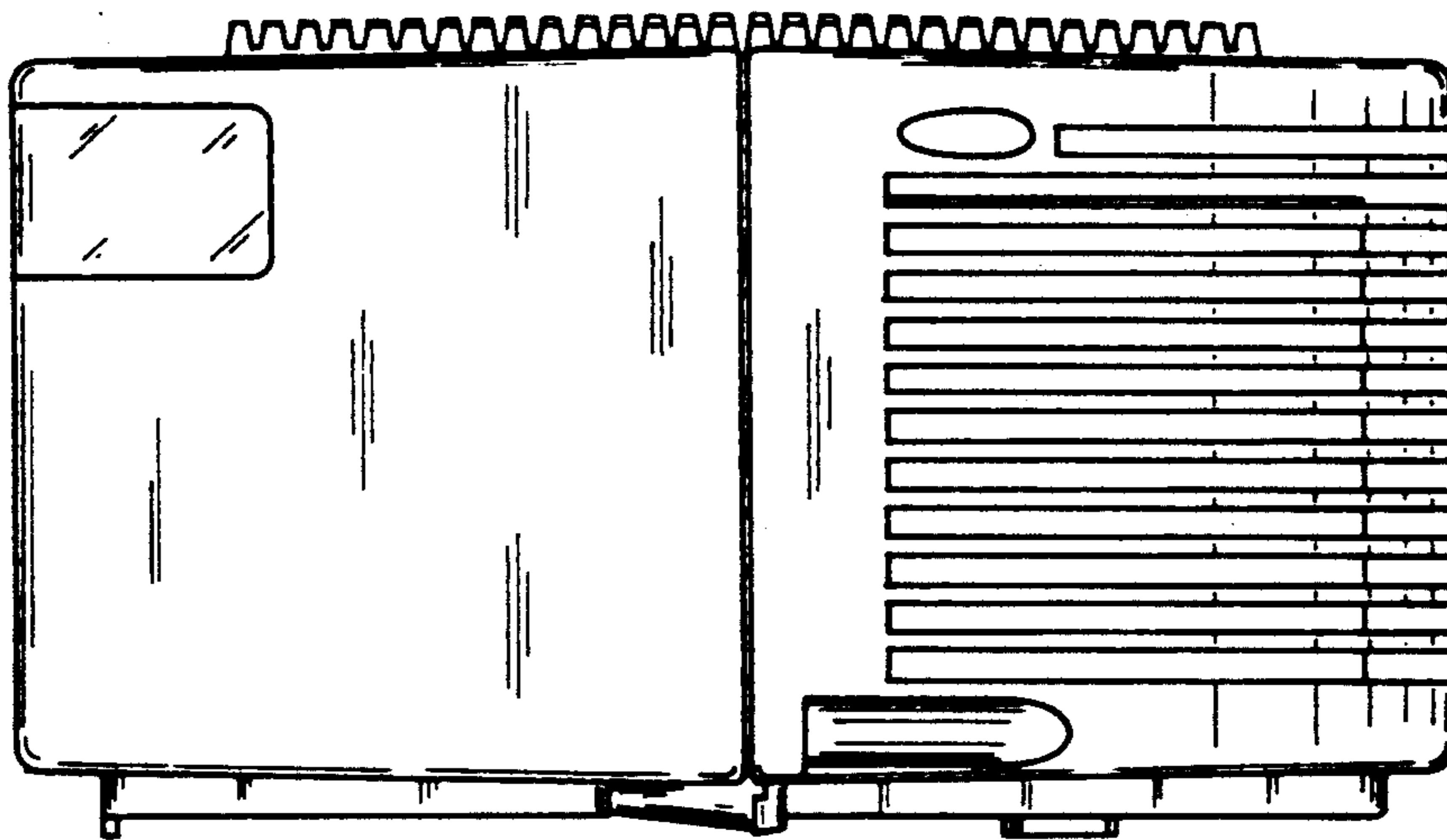


FIG. 4

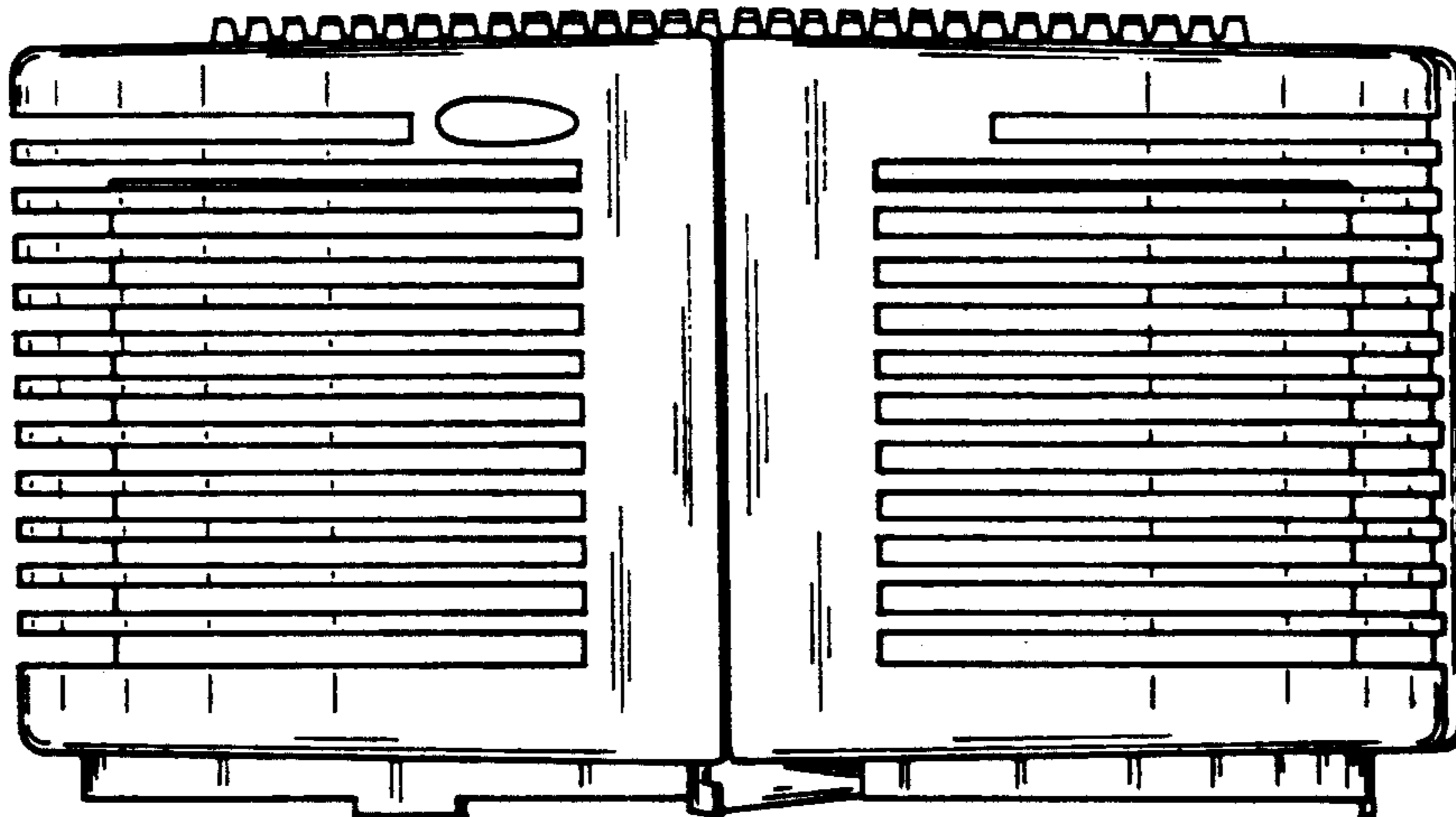


FIG. 5



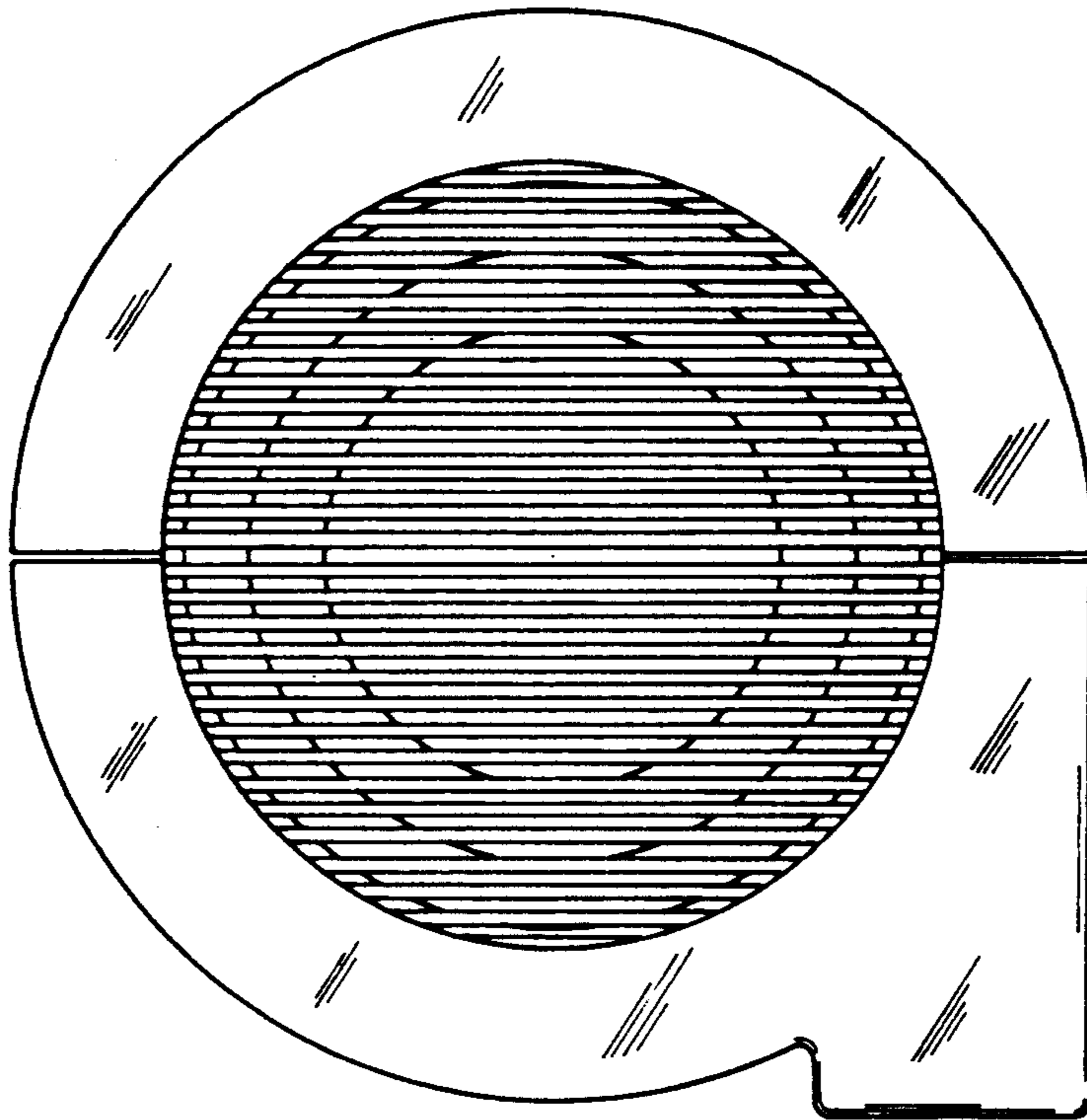


FIG. 6

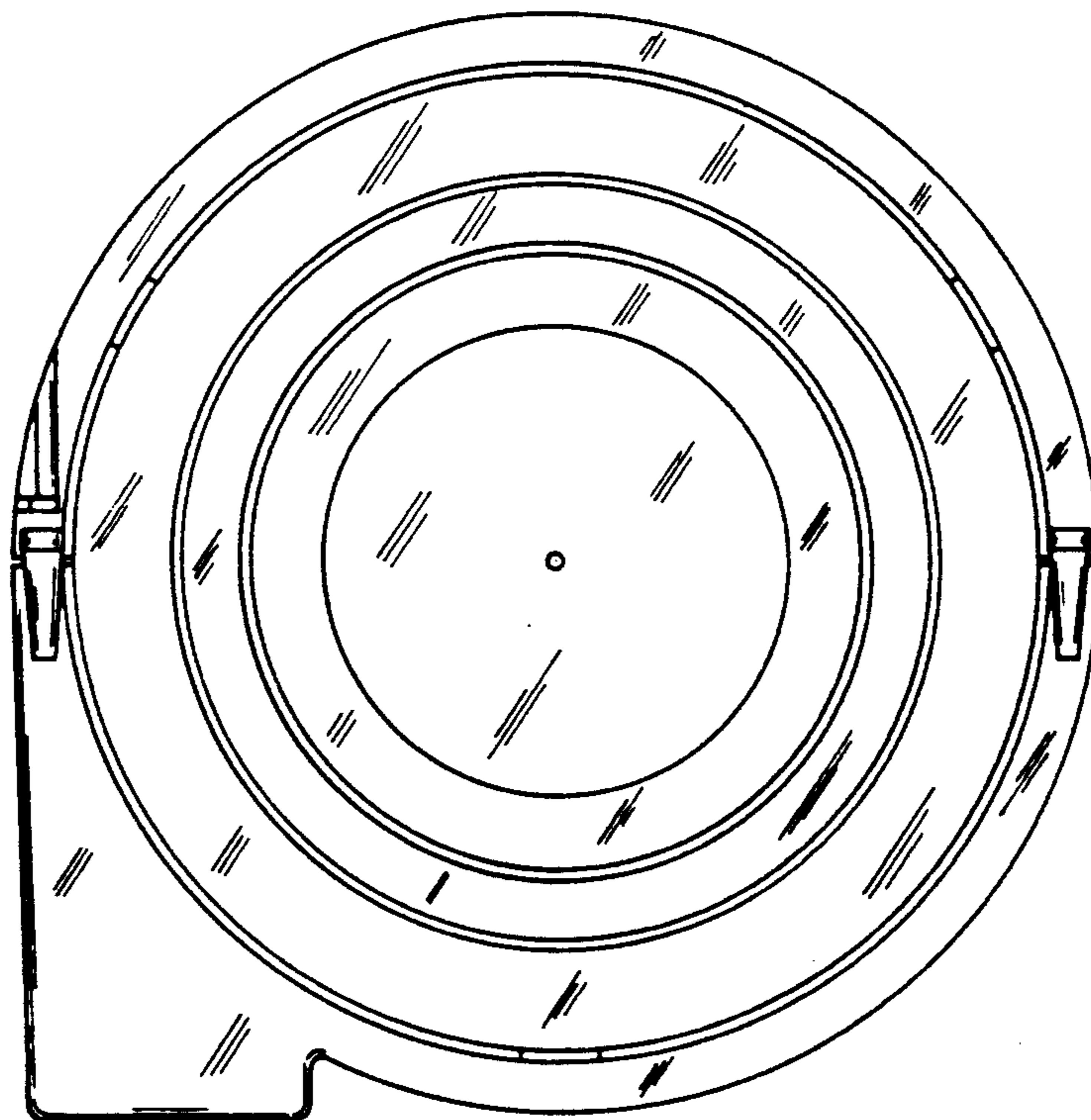


FIG. 7