



US00D343673S

United States Patent [19]

[11] Patent Number: **Des. 343,673**

Bannigan

[45] Date of Patent: **** Jan. 25, 1994**

[54] **WATER FILTER URM**

[56] **References Cited**

[75] Inventor: **Francis R. Bannigan**, Huntingdale, Australia

U.S. PATENT DOCUMENTS

3,334,044	8/1967	Satterlee	210/97 X
3,339,743	9/1967	Bealle	210/261 X
3,342,335	9/1967	Gamundi et al.	210/282 X
4,110,219	8/1978	Maples	210/245
4,491,520	1/1985	Jaye	D23/209 X
4,842,724	6/1989	Bray et al.	210/426.3 X

[73] Assignee: **Kambrook Distributing Pty. Ltd.**, Australia

Primary Examiner—Wallace R. Burke
Assistant Examiner—M. H. Tung
Attorney, Agent, or Firm—Andrus, Scales, Starke & Sawall

[**] Term: **14 Years**

[21] Appl. No.: **706,525**

[57] CLAIM

[22] Filed: **May 28, 1991**

The ornamental design for a water filter urm, as shown.

[30] Foreign Application Priority Data

DESCRIPTION

Nov. 29, 1990 [AU] Australia 3817/90

[52] U.S. Cl. **D23/209**

[58] Field of Search 23/207-210;
210/97, 198.1, 205-206, 231, 244-246,
257.1-257.2, 258, 260-261, 275, 282, 287-290,
295, 321.6, 321.78, 348, 416.3, 443-444

FIG. 1 is a top perspective view of a water filter urm showing my new design;

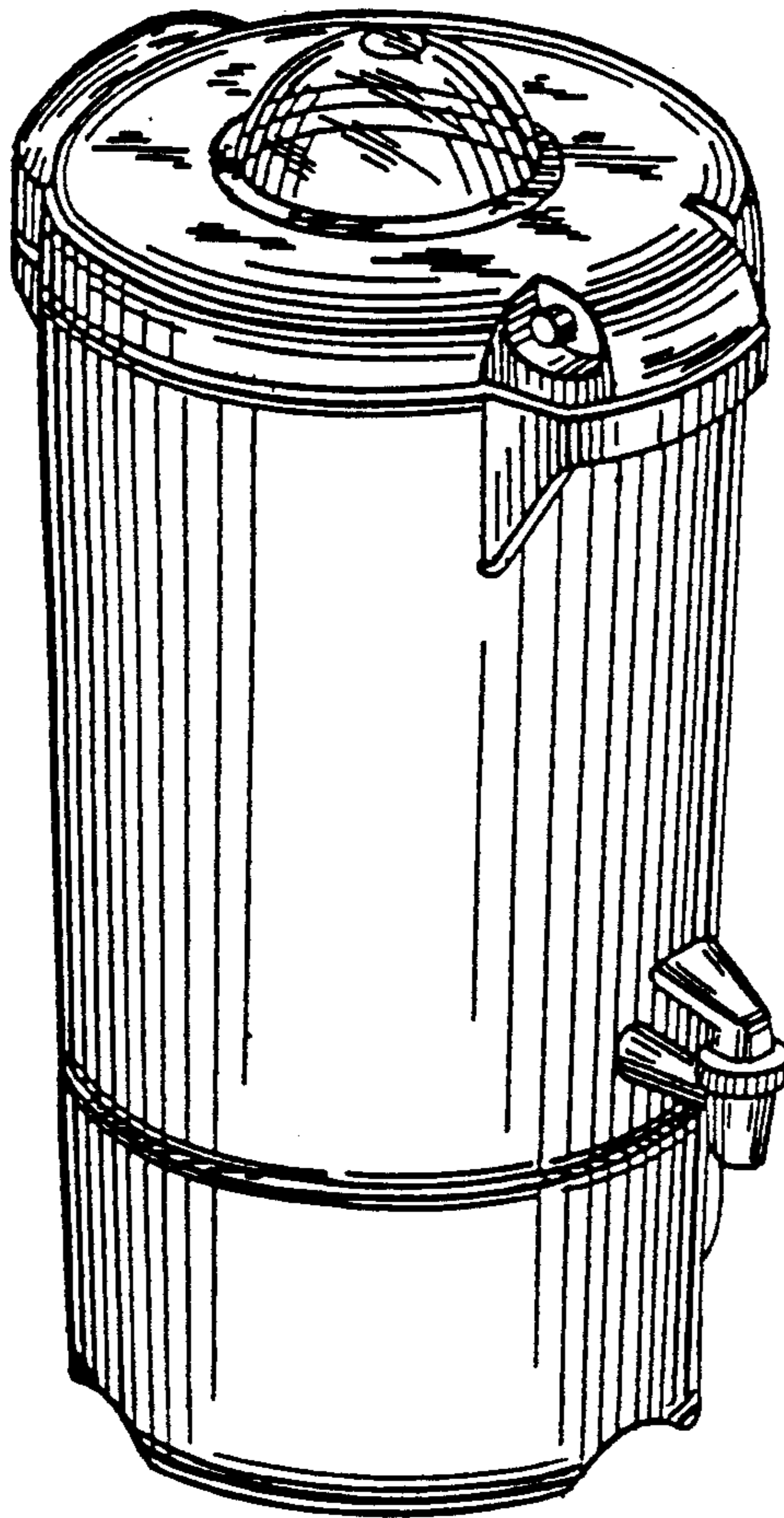
FIG. 2 is a bottom perspective view thereof;

FIG. 3 is a front elevational view thereof;

FIG. 4 is a rear elevational view thereof;

FIG. 5 is a right side elevational view thereof; and,

Fig. 6 is a left side elevational view.



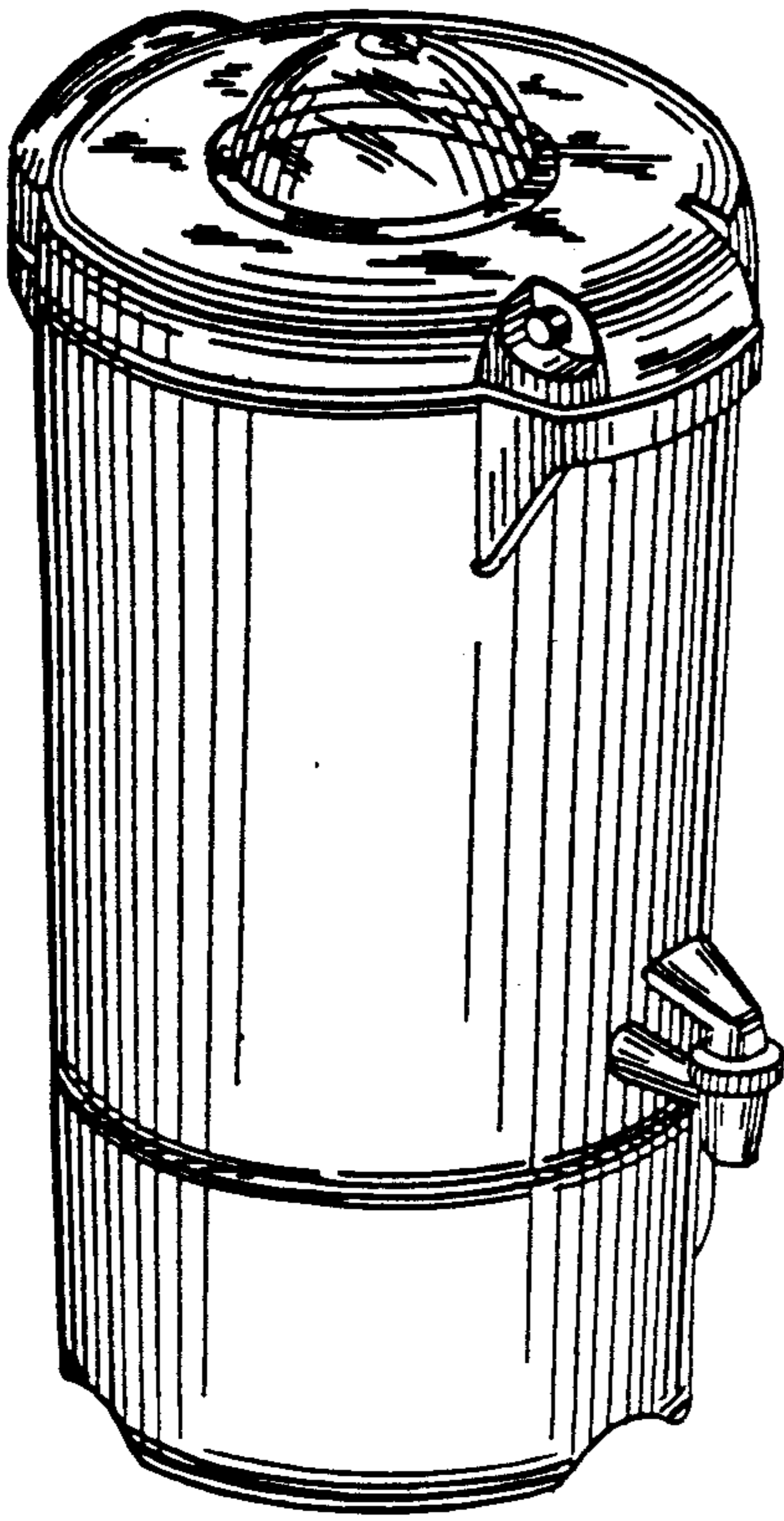


FIG. 1

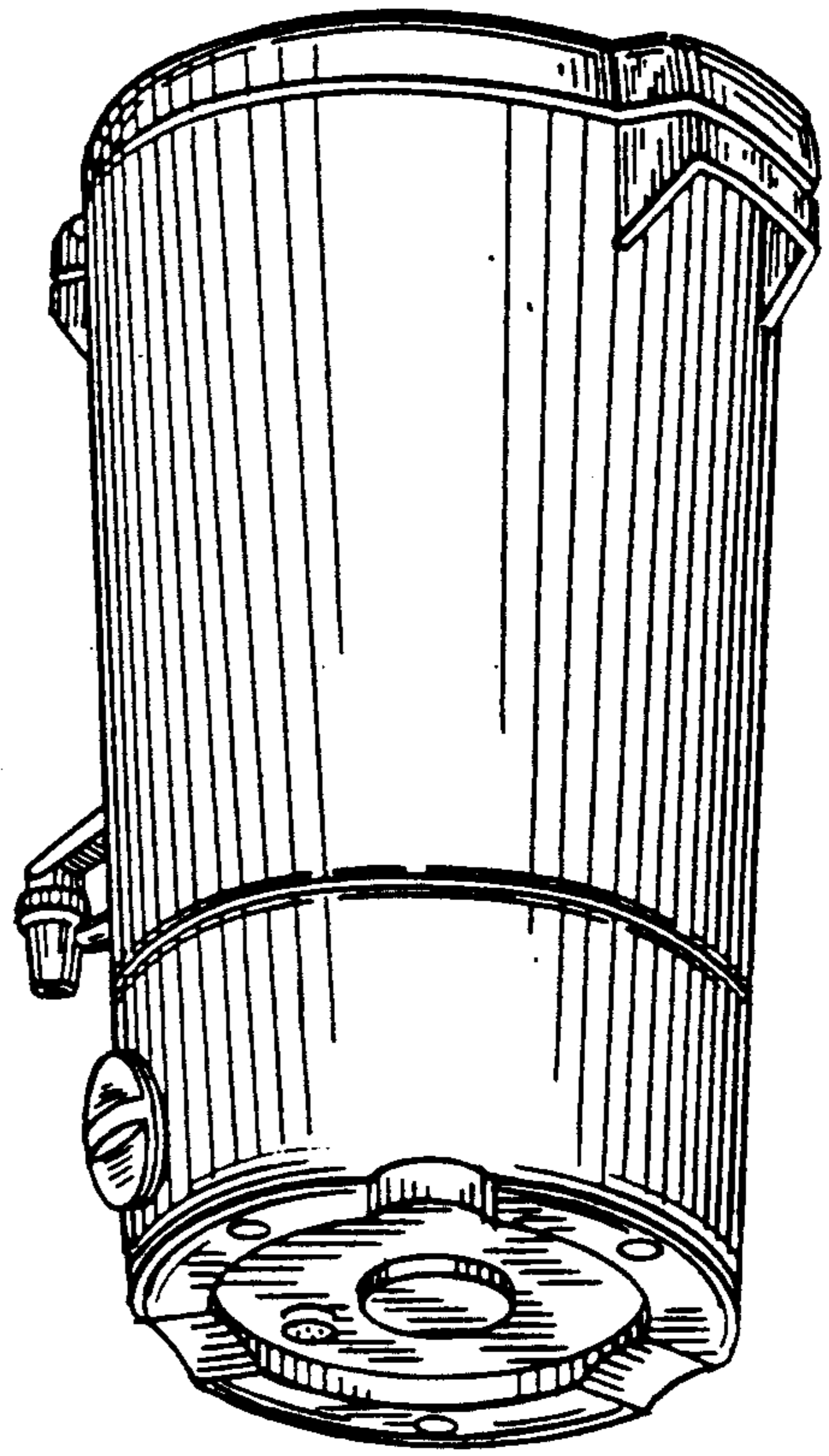


FIG. 2

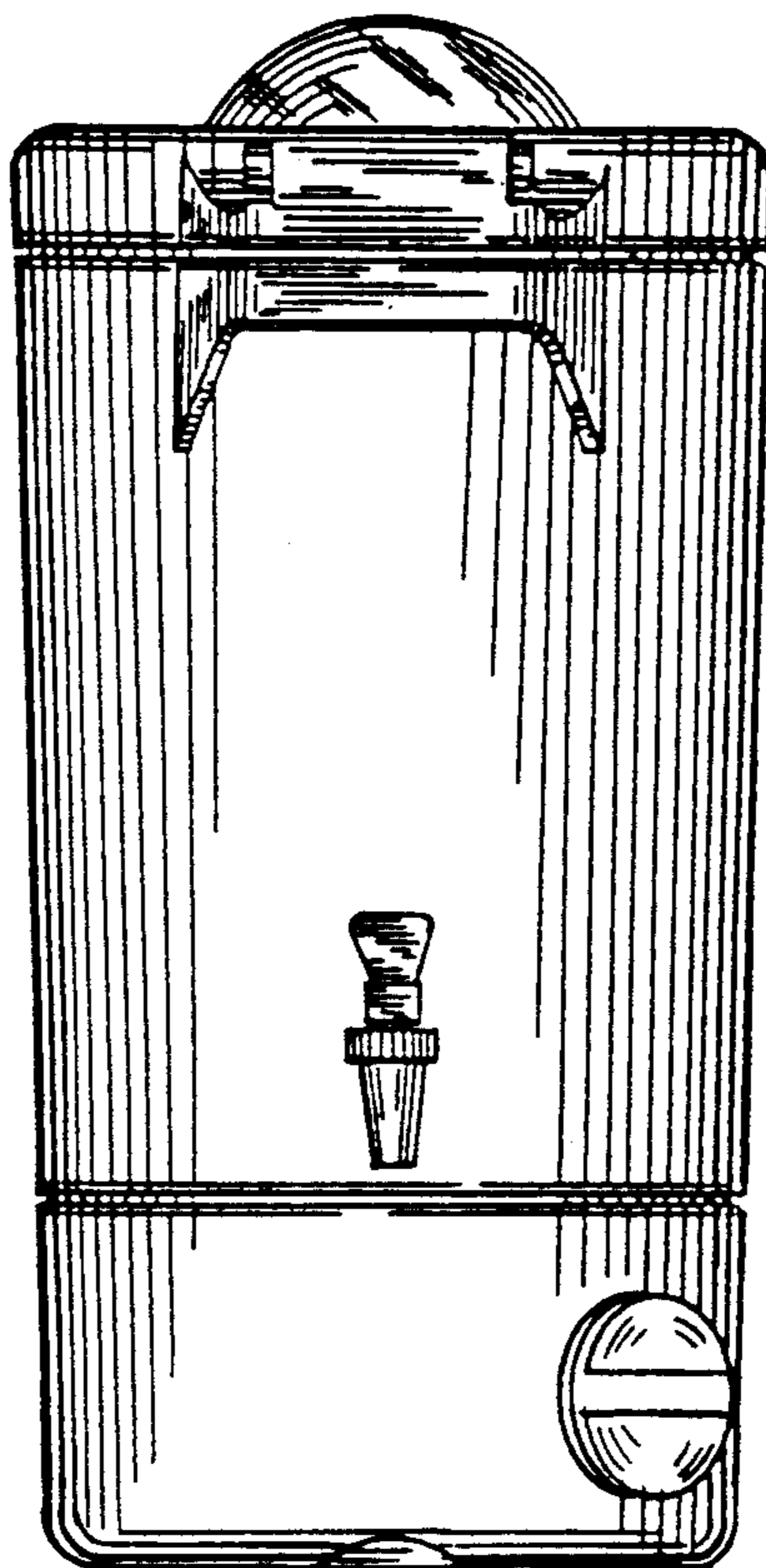


FIG. 3

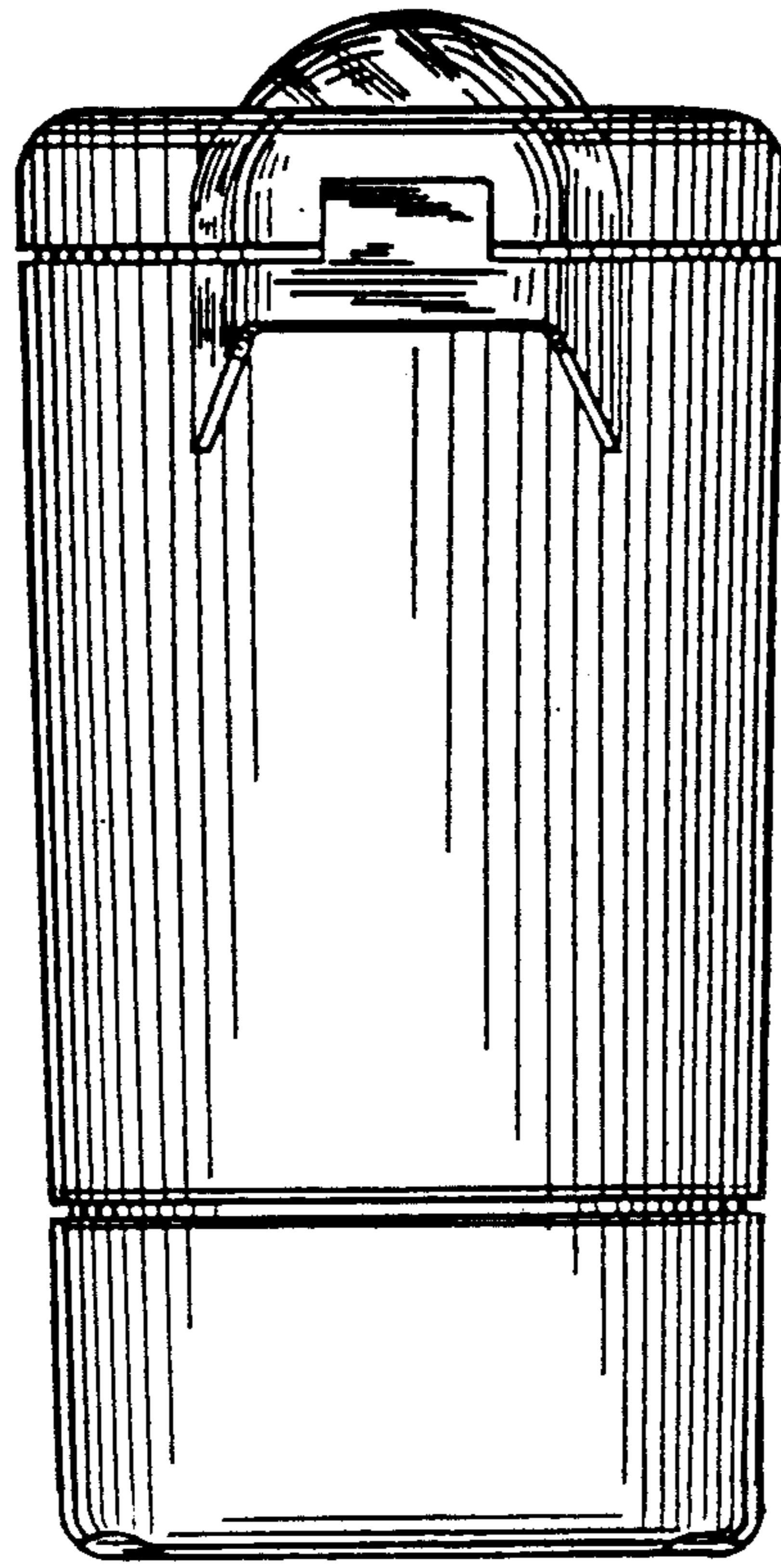


FIG. 4

FIG. 5

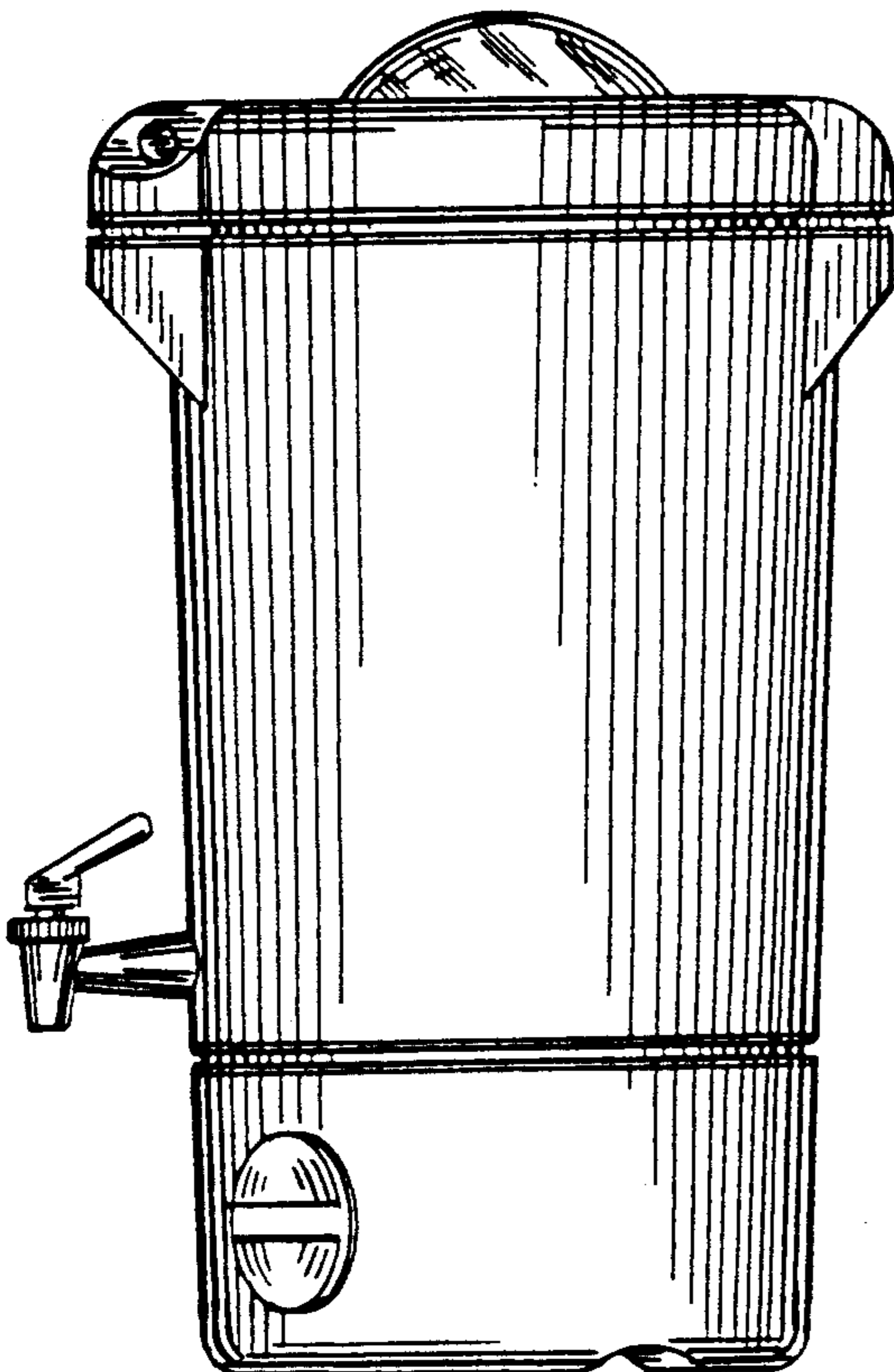
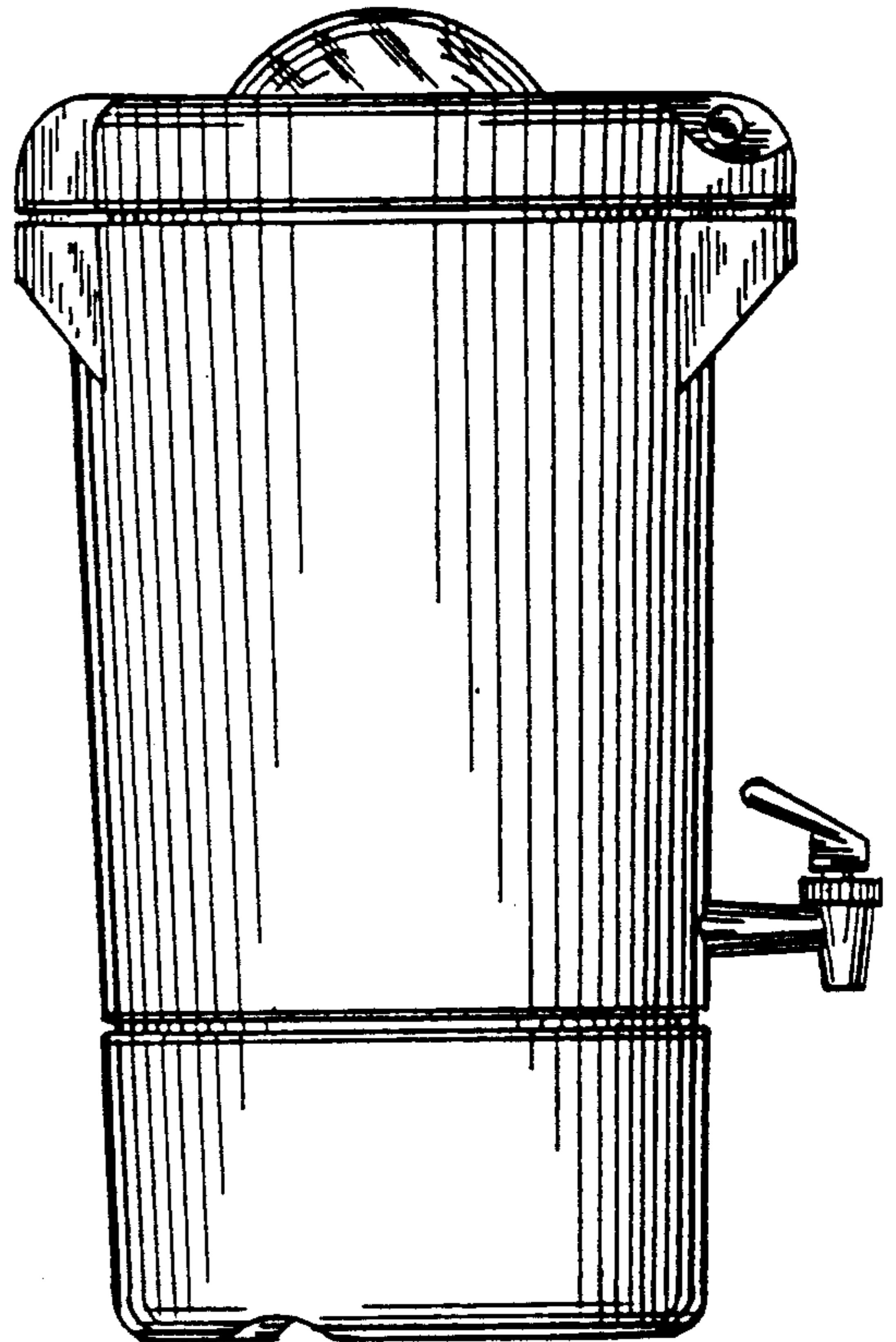


FIG. 6



UNITED STATES PATENT AND TRADEMARK OFFICE
CERTIFICATE OF CORRECTION

PATENT NO. : Des. 343,673
DATED : January 25, 1994
INVENTOR(S) : Bannigan

It is certified that error appears in the above-identified patent and that said Letters Patent is hereby corrected as shown below:

ON THE TITLE PAGE:

IN THE TITLE

Delete "URM" and substitute therefor ---URN---

IN THE CLAIM

Delete "urm" and substitute therefor ---urn---

IN THE DESCRIPTION

In FIG. 1, delete "urm" and substitute therefor ---urn---

Signed and Sealed this
Nineteenth Day of July, 1994

Attest:



BRUCE LEHMAN

Attesting Officer

Commissioner of Patents and Trademarks