



US00D343669S

# United States Patent [19]

[11] Patent Number: **Des. 343,669**

**Pratt**

[45] Date of Patent: **\*\* Jan. 25, 1994**

## [54] IN-LINE SKATE CHASSIS

[75] Inventor: **Kenneth W. Pratt, Ware, Mass.**

[73] Assignee: **Seneca Sports, Inc., Milford, Mass.**

[\*\*] Term: **14 Years**

[21] Appl. No.: **870,699**

[22] Filed: **Apr. 17, 1992**

[52] U.S. Cl. .... **D21/226**

[58] Field of Search ..... **280/11.22, 11.24, 11.26, 280/78; D21/224, 226**

## [56] **References Cited**

### **U.S. PATENT DOCUMENTS**

D. 301,908	6/1989	Olsen	.....	D21/226
D. 323,540	1/1992	Graham	.....	D21/226
5,067,736	11/1991	Olsen	.....	280/11.22
5,092,614	3/1992	Malewicz	.....	280/11.22
5,129,663	7/1992	Soo	.....	280/11.22
5,171,033	12/1992	Olsen	.....	280/11.22

### **OTHER PUBLICATIONS**

Rollerblade Ad Spring '89 lower right of page.  
Rollerblade Catalog p. 4.

*Primary Examiner*—Bernard Ansher

*Assistant Examiner*—R. Barkai

*Attorney, Agent, or Firm*—Fish & Richardson

## [57] **CLAIM**

The ornamental design for a in-line skate chassis, as shown and described.

## **DESCRIPTION**

FIG. 1 is a perspective view of a in-line skate chassis; FIG. 2 is a first side view of the in-line skate chassis of FIG. 1;

FIG. 3 is a opposite (second) side view of the in-line skate chassis of FIG. 1;

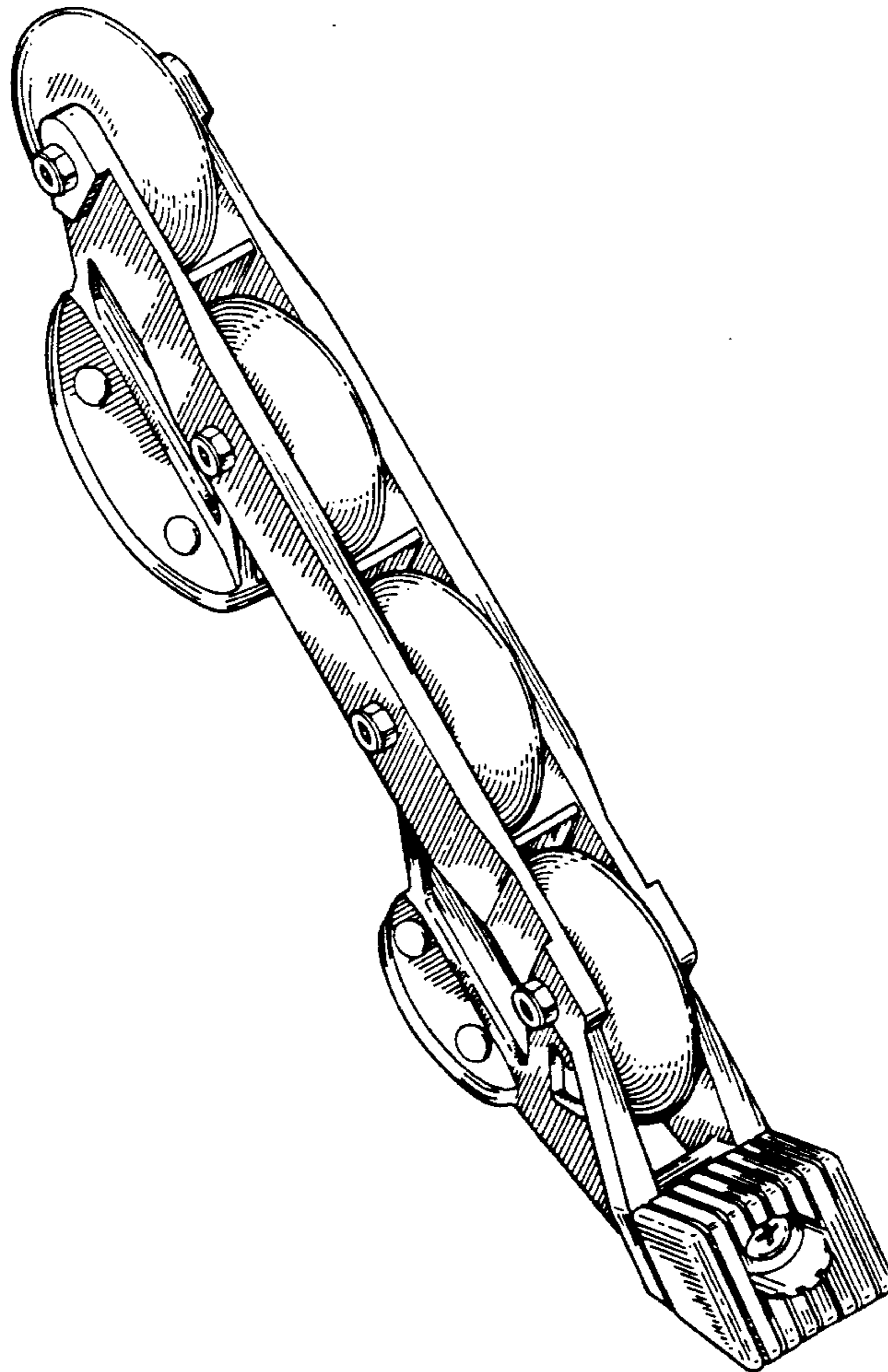
FIG. 4 is a front view of the in-line skate chassis of FIG. 1;

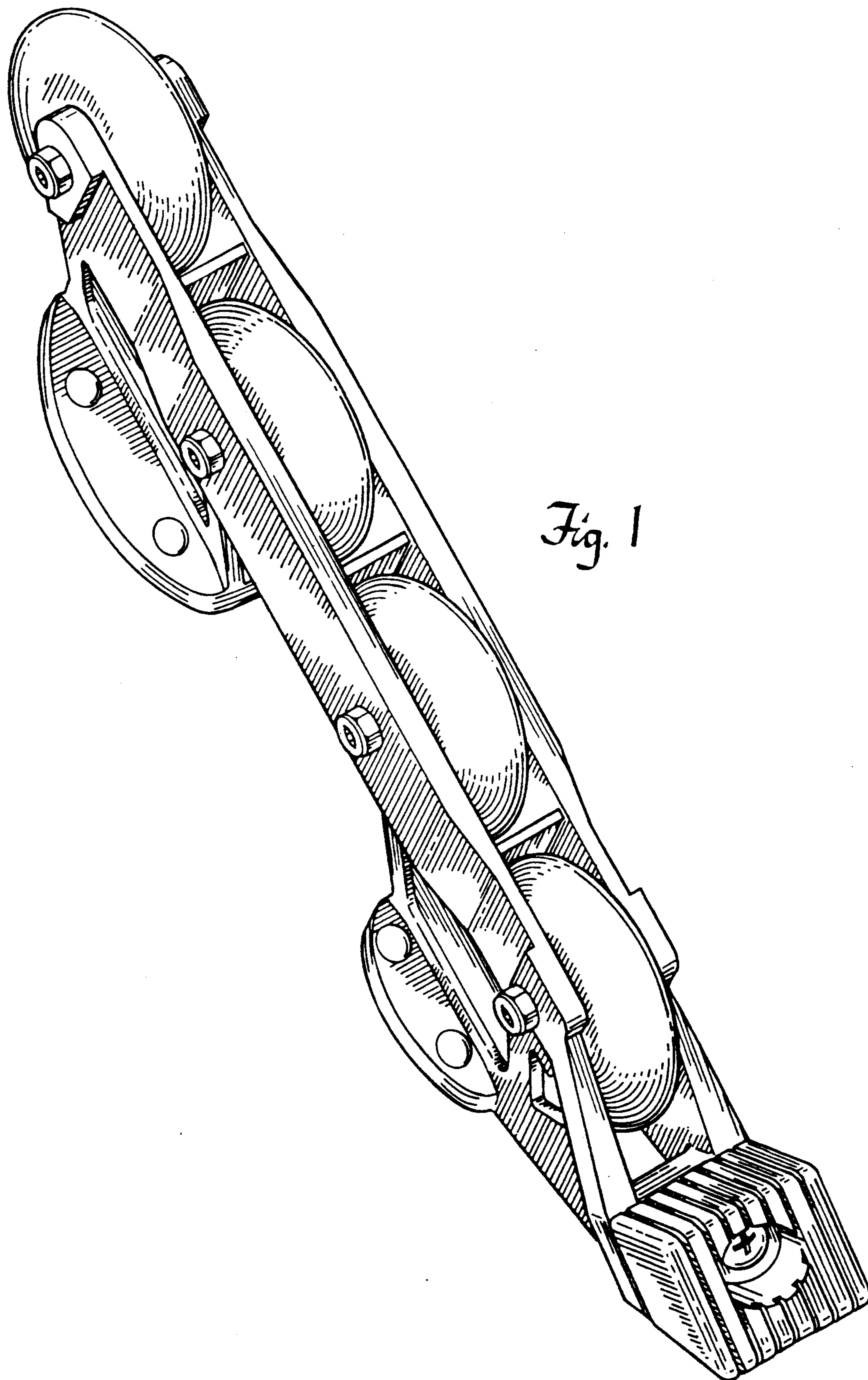
FIG. 5 is a rear view of the in-line skate chassis of FIG. 1;

FIG. 6 is a top view of the in-line skate chassis of FIG. 1; and,

FIG. 7 is a bottom view of the in-line skate chassis of FIG. 1.

The broken line showing of the skate boot in FIGS. 2 and 3 is for illustrative purposes only and forms no part of the claimed design.





*Fig. 1*

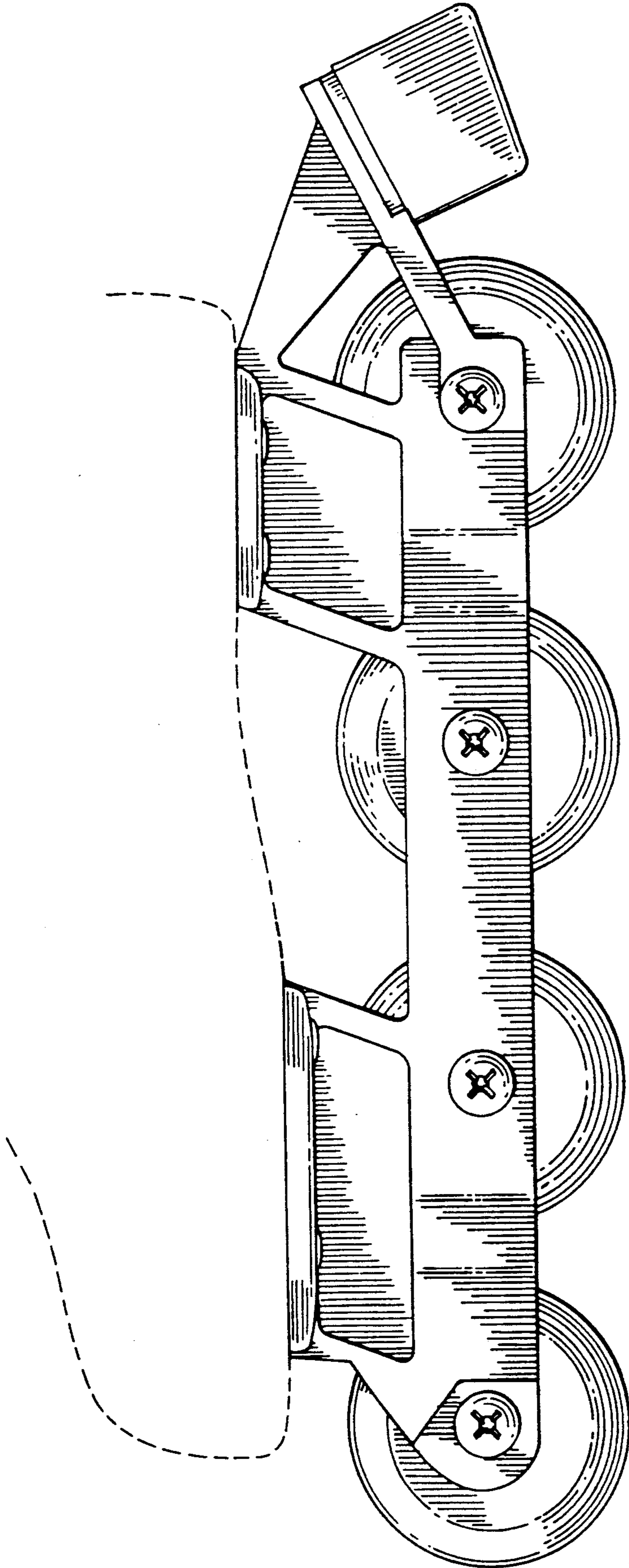


Fig. 2

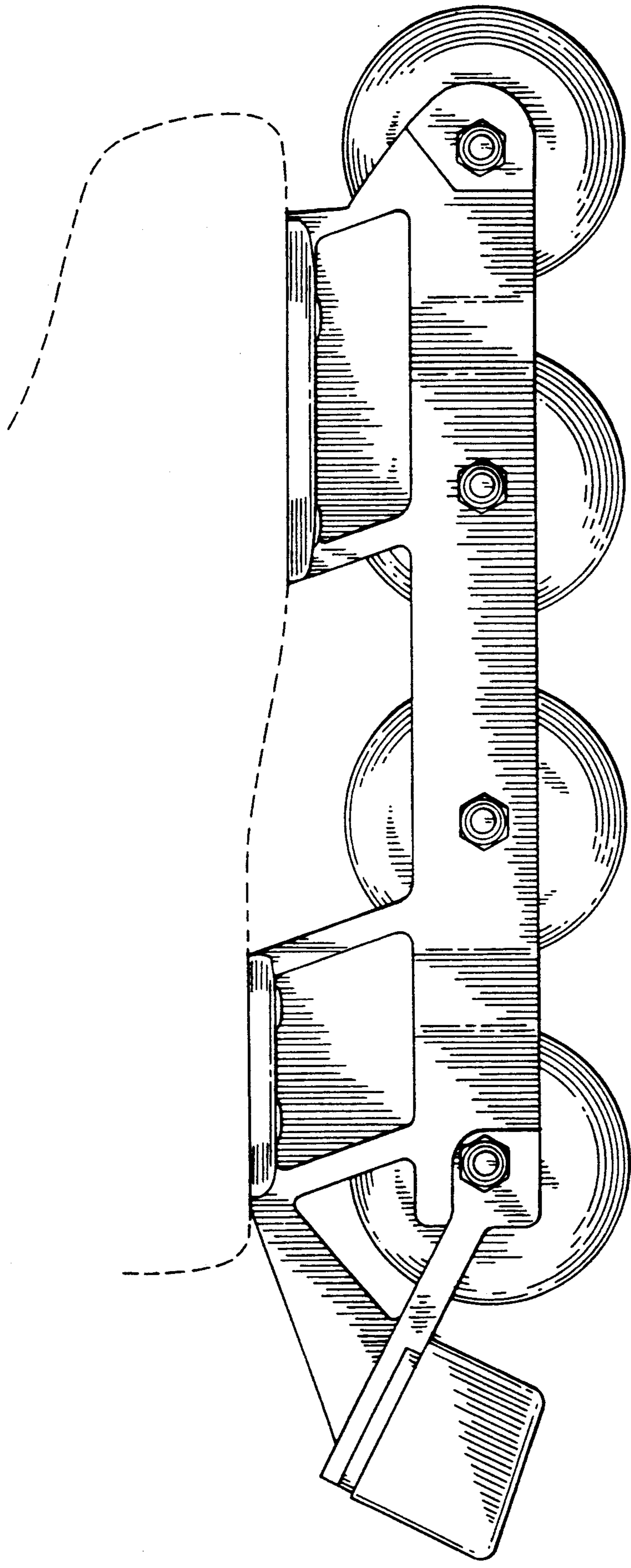
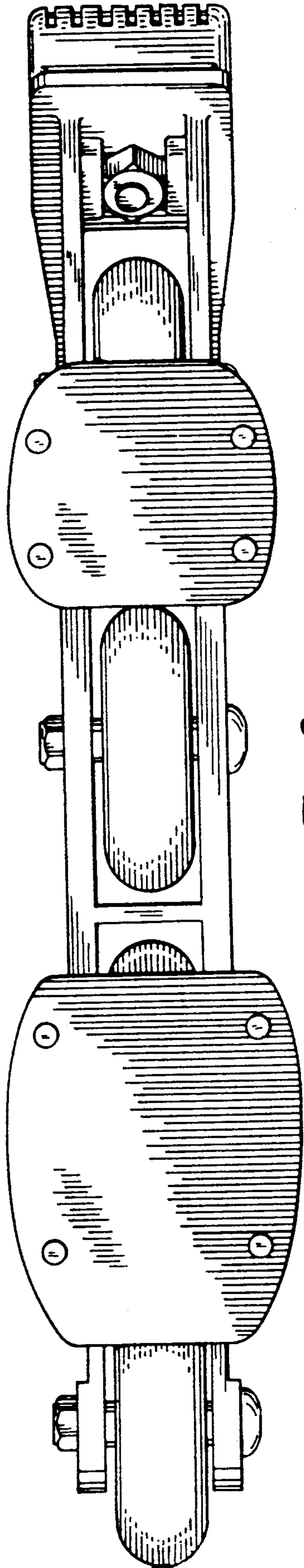
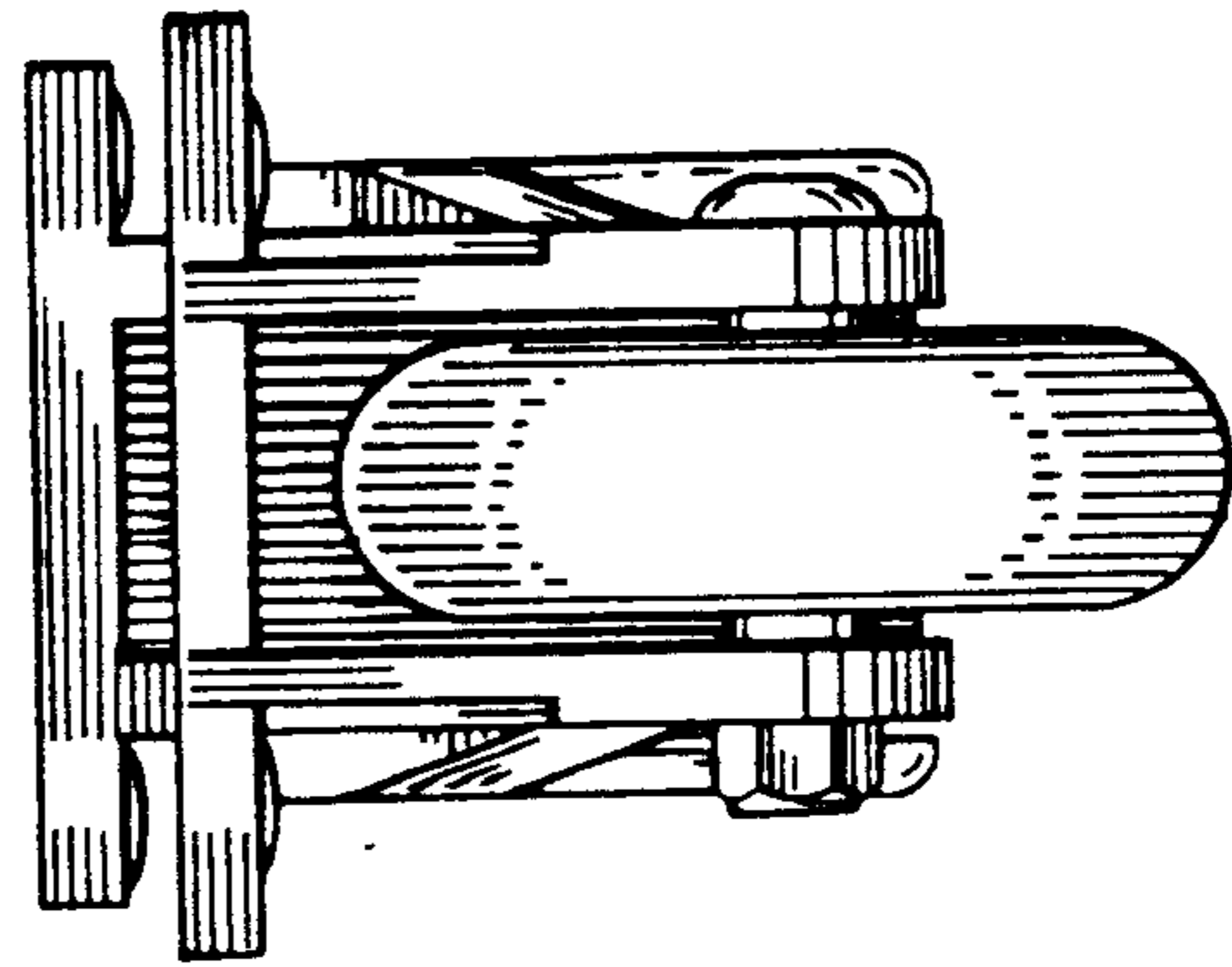


Fig. 3



*Fig. 6*



*Fig. 4*

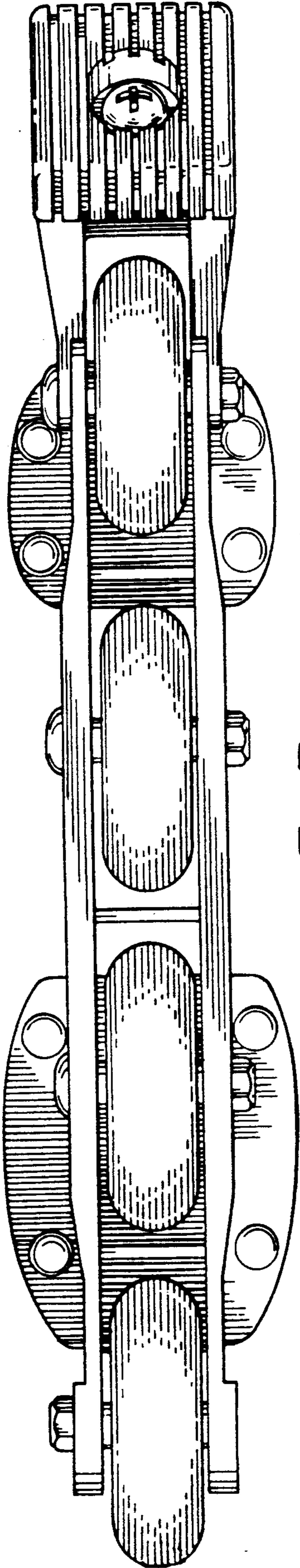


Fig. 7

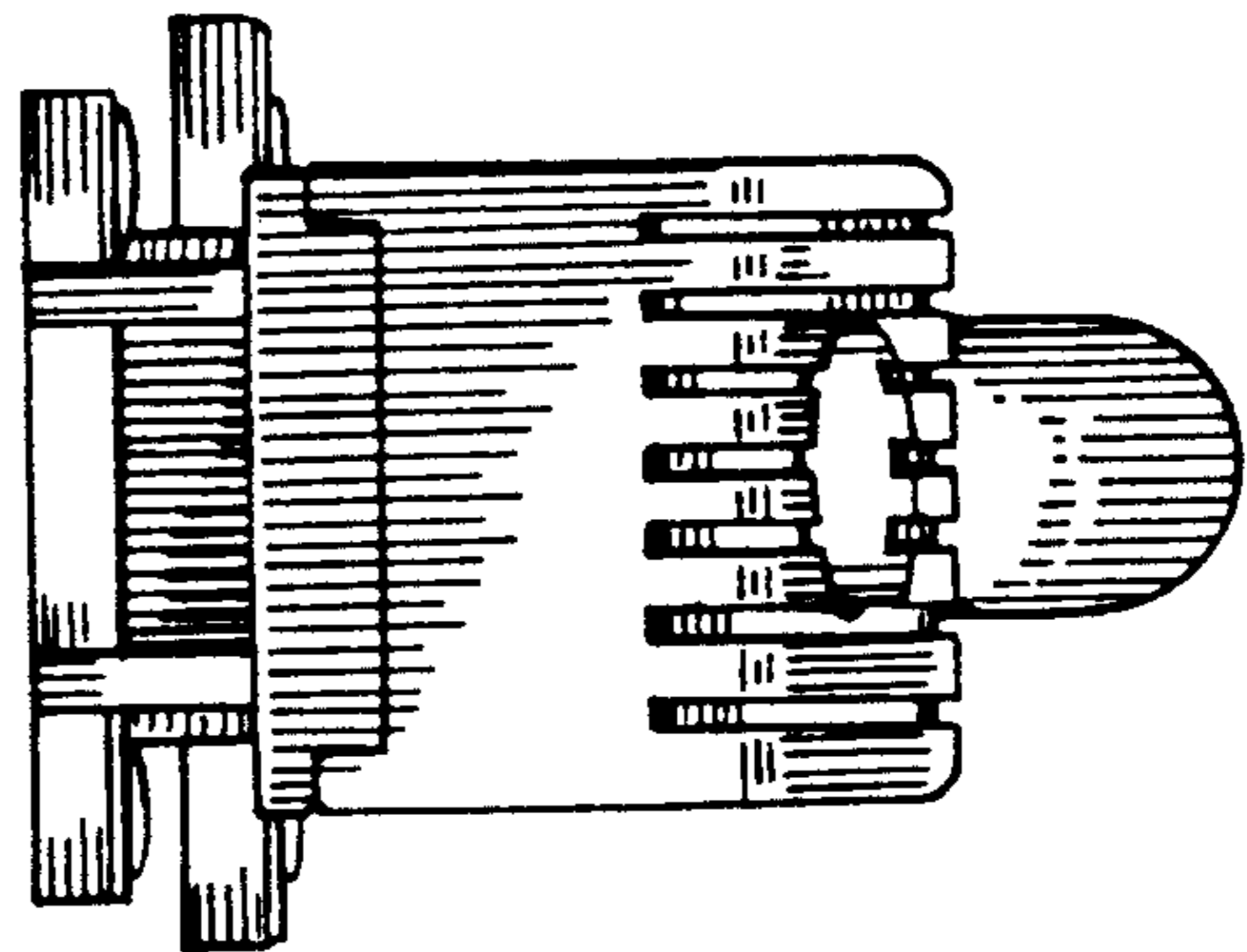


Fig. 5