



US00D343666S

United States Patent [19]

[11] Patent Number: **Des. 343,666**

Schmitt

[45] Date of Patent: **** Jan. 25, 1994**

[54] **ADJUSTABLE GOLF PUTTER**

1432688 8/1973 United Kingdom .

[76] Inventor: **James L. Schmitt, 5763 Lake Erie Dr., Fairfield, Ohio 45014**

Primary Examiner—Melvin B. Feifer
Attorney, Agent, or Firm—Terry M. Gernstein

[**] Term: **14 Years**

[57] **CLAIM**

[21] Appl. No.: **724,351**

The ornamental design for a adjustable golf putter, as shown and described.

[22] Filed: **Jul. 1, 1991**

[52] U.S. Cl. **D21/216; D21/218**

[58] Field of Search **273/81.2, 164.1, 167-175; D21/214-220**

DESCRIPTION

[56] **References Cited**

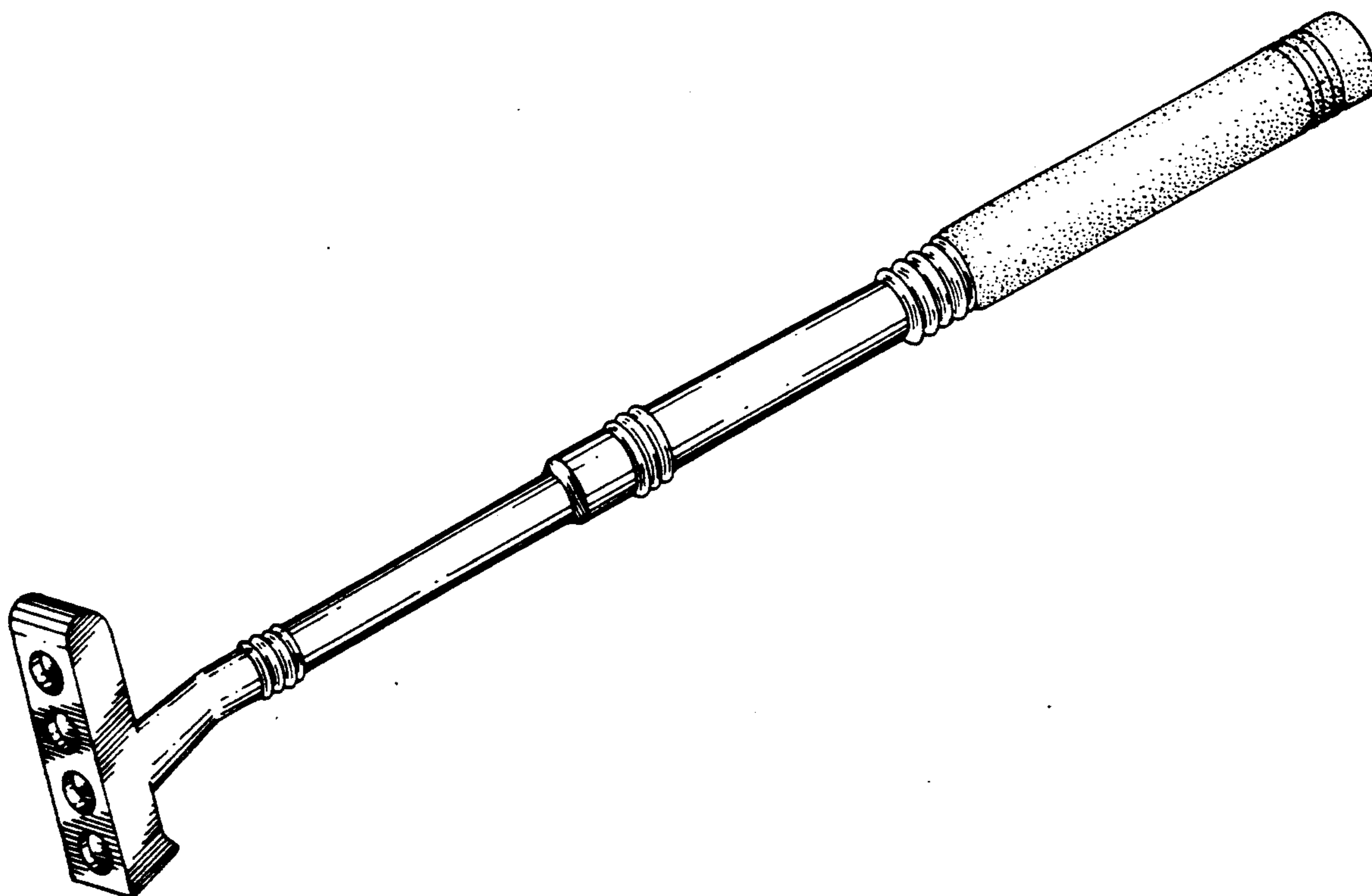
U.S. PATENT DOCUMENTS

D. 198,383	6/1964	Butler	D2/218
D. 218,108	7/1970	Wegener, Jr.	D21/219
D. 229,622	12/1973	Bartron	D21/219
3,424,464	1/1969	Greenhouse	273/81.2
4,674,747	6/1987	Mazzocco	273/81.2
4,712,798	12/1987	Preato	273/81.2
4,826,168	5/1989	McGuire	273/81.2
5,042,438	6/1991	Candow	273/81.2

FIG. 1 is a perspective view of the adjustable golf putter embodying the design;
 FIG. 2 is a front elevational view thereof;
 FIG. 3 is a rear elevational view thereof;
 FIG. 4 is a side elevational view thereof, the side opposite being a mirror image of the side shown in FIG. 4;
 FIG. 5 is a top plan view thereof;
 FIG. 6 is a bottom view thereof;
 FIG. 7 is a perspective view of an alternative form of the putter head; and,
 FIG. 8 is a perspective view of another alternative form of the putter head.
 The shaft has been omitted for ease of illustration from FIGS. 7 and 8 and it is understood that the remaining views of said embodiments are the same as FIGS. 2, 3, 4 and 5.

FOREIGN PATENT DOCUMENTS

1142073 3/1966 United Kingdom .



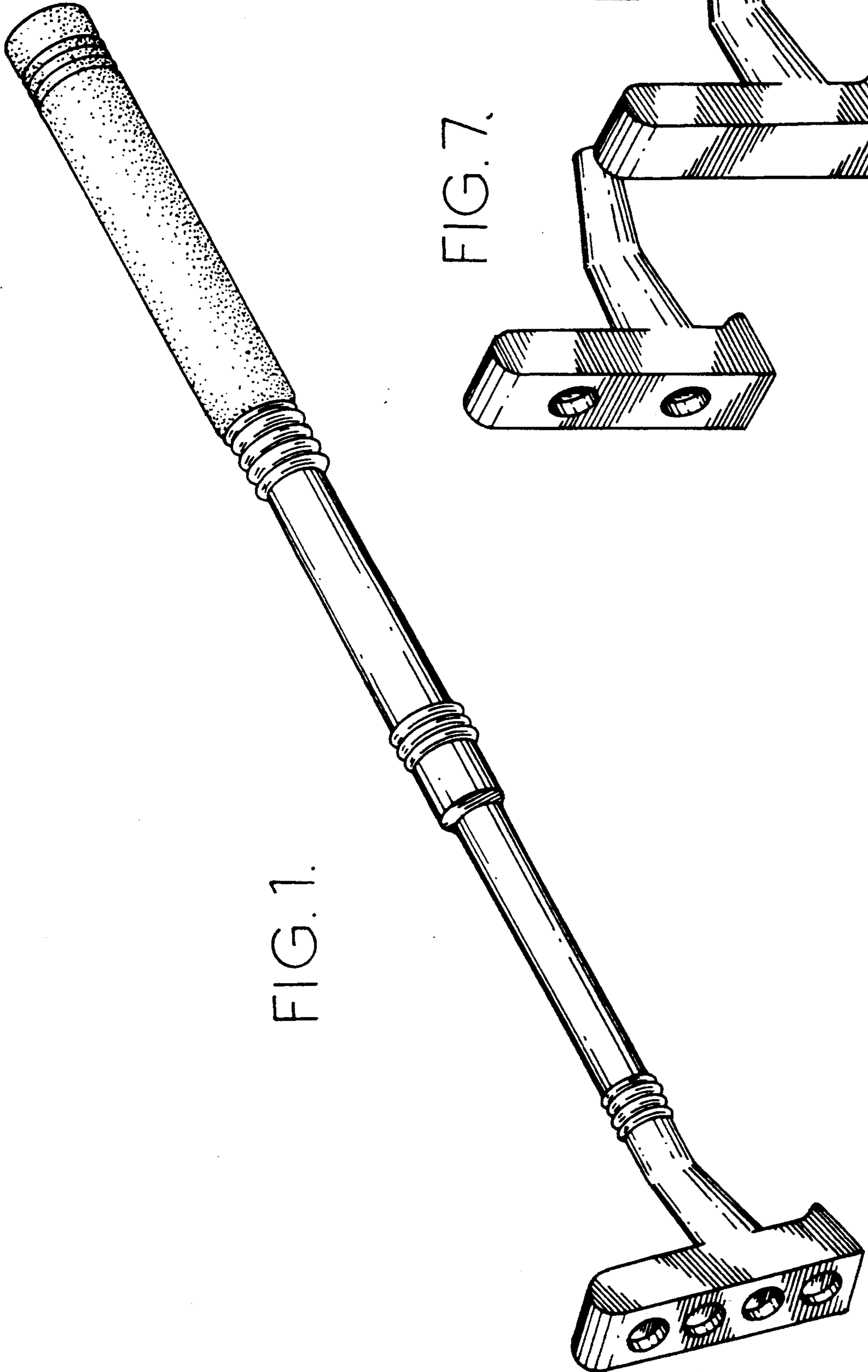
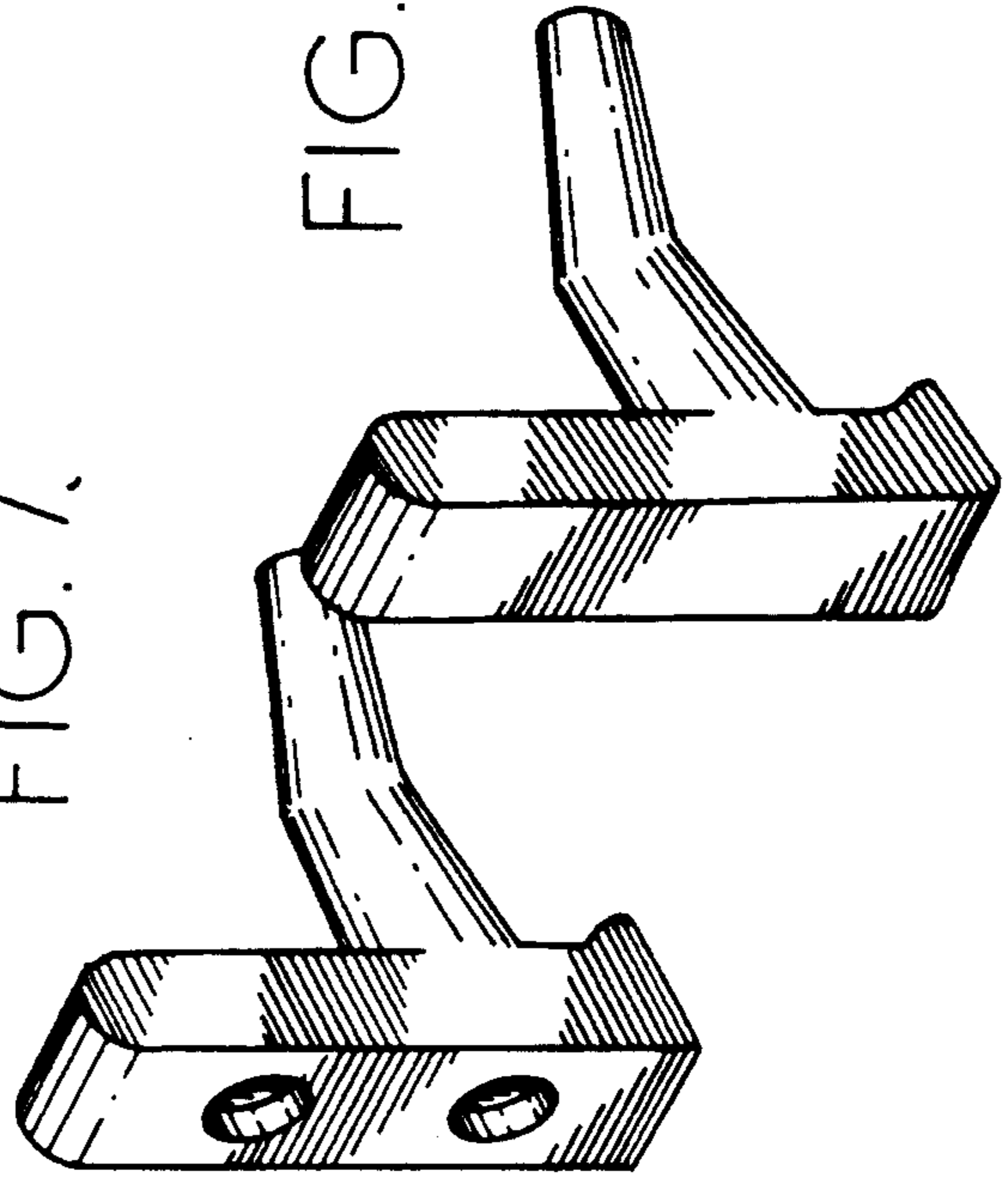


FIG. 7.



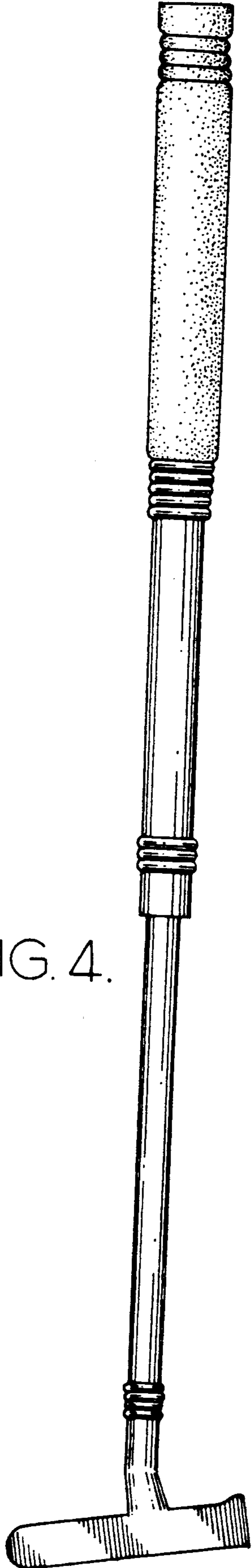


FIG. 4.

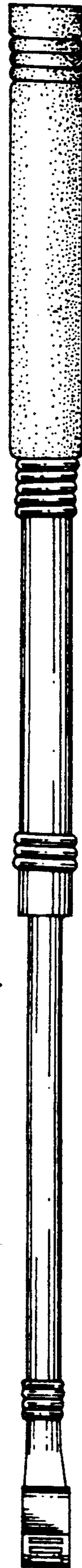


FIG. 2.

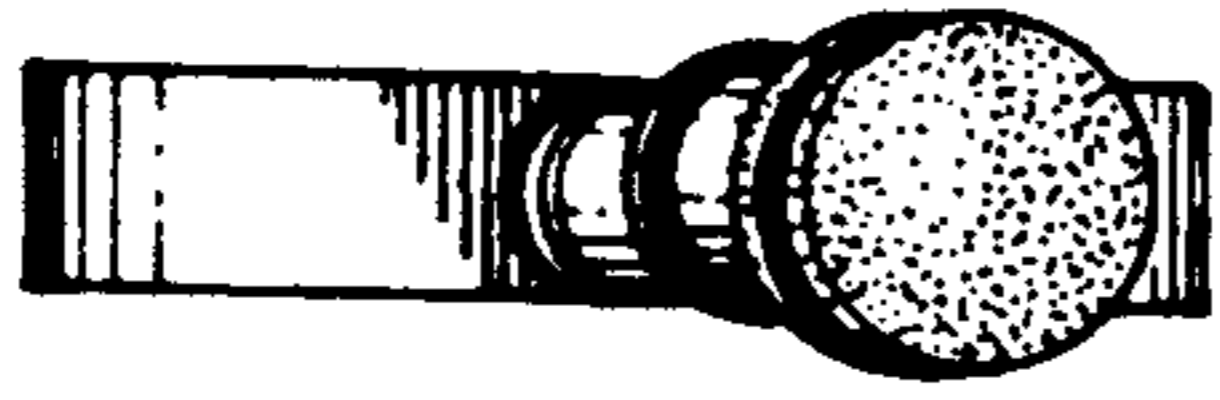


FIG. 5.



FIG. 6.

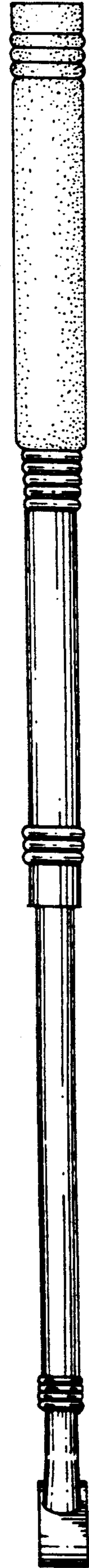


FIG. 3.