



US00D343659S

United States Patent [19]

[11] Patent Number: **Des. 343,659**

Kiiski

[45] Date of Patent: **** Jan. 25, 1994**

[54] **EXERCISE BICYCLE**

[75] Inventor: **Heikki Kiiski, Turku, Finland**

[73] Assignee: **Tunturi Oy, Turku, Finland**

[**] Term: **14 Years**

[21] Appl. No.: **926,266**

[22] Filed: **Aug. 6, 1992**

[30] **Foreign Application Priority Data**

Feb. 11, 1992 [GB] United Kingdom 2020907

[52] U.S. Cl. **D21/194**

[58] Field of Search 482/57, 58, 59;
D21/194, 195

[56] **References Cited**

U.S. PATENT DOCUMENTS

- D. 288,706 3/1987 Gremonprez et al. D21/194
- D. 308,235 5/1990 Meisner D21/194
- D. 309,335 7/1990 Yang D21/194
- D. 309,336 7/1990 Yang D21/194
- D. 309,485 7/1990 Bingham et al. D21/194
- D. 310,697 9/1990 Kagayama D21/194
- D. 311,047 10/1990 Carnielli D21/194
- D. 318,890 8/1991 Klose et al. D21/194

OTHER PUBLICATIONS

Information sheet regarding **PRO-FORM Tailwind**

Exercise Bike, marketed by Pro-Form, a subsidiary of Weider Health & Fitness, P.O. Box 10, Logan, Utah 84321, published 1990.

Information Sheet on EL400 Electronic Ergometer marketed by Tunturi, Inc., 1987.

Information sheet regarding Electronic Ergometer E980, marketed by Tunturi, Inc. 1992.

Primary Examiner—Bernard Ansher

Assistant Examiner—Philip Hyder

Attorney, Agent, or Firm—Graybeal Jackson Haley & Johnson

[57] **CLAIM**

The ornamental design for exercise bicycle, as shown and described.

DESCRIPTION

FIG. 1 is a perspective view of an exercise bicycle showing my new design;

FIG. 2 is a left side elevational view thereof;

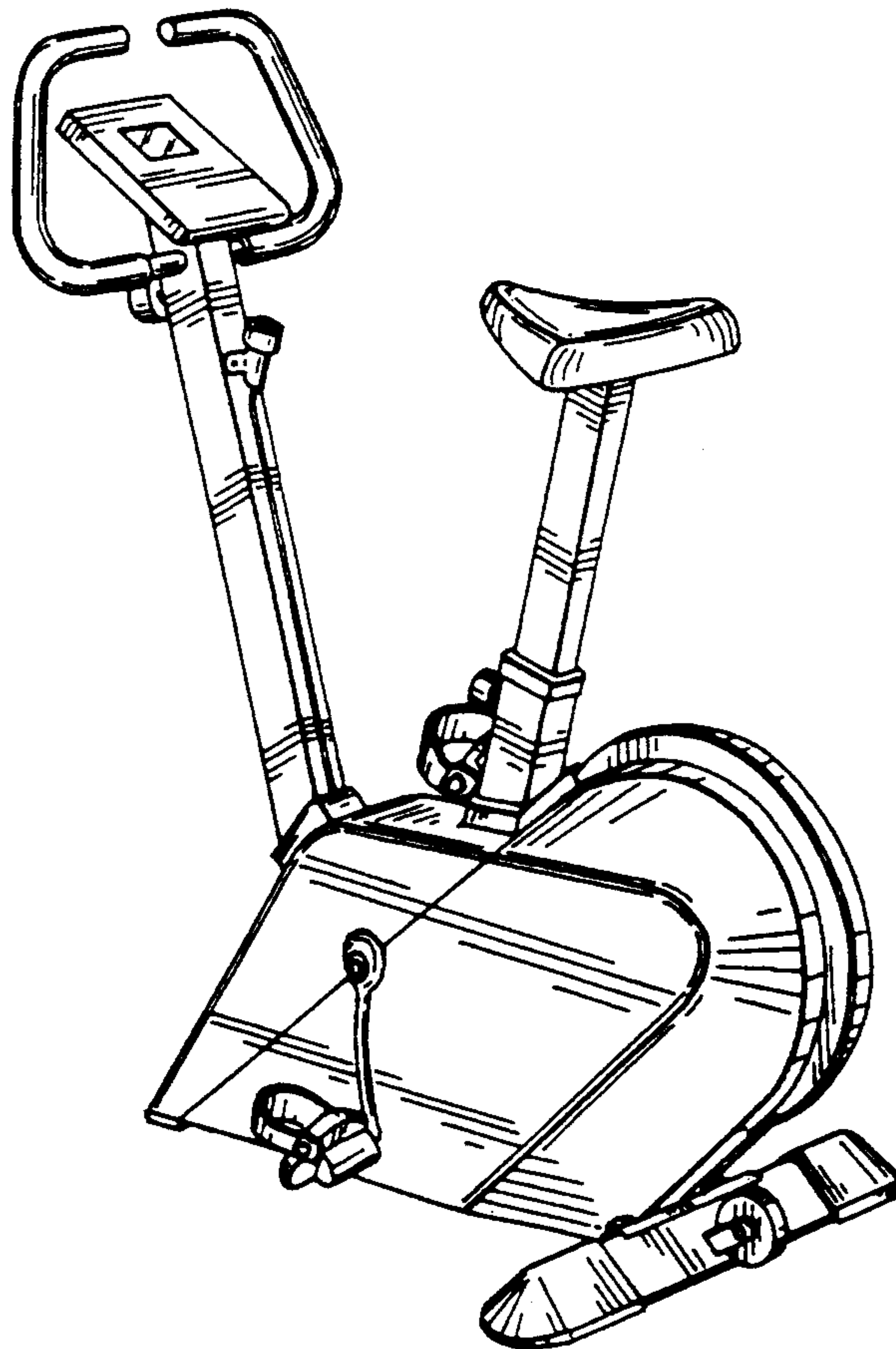
FIG. 3 is a right side elevational view thereof;

FIG. 4 is a bottom plan view thereof;

FIG. 5 is a top plan view thereof;

FIG. 6 is a front elevational view thereof; and,

FIG. 7 is a rear elevational view thereof.



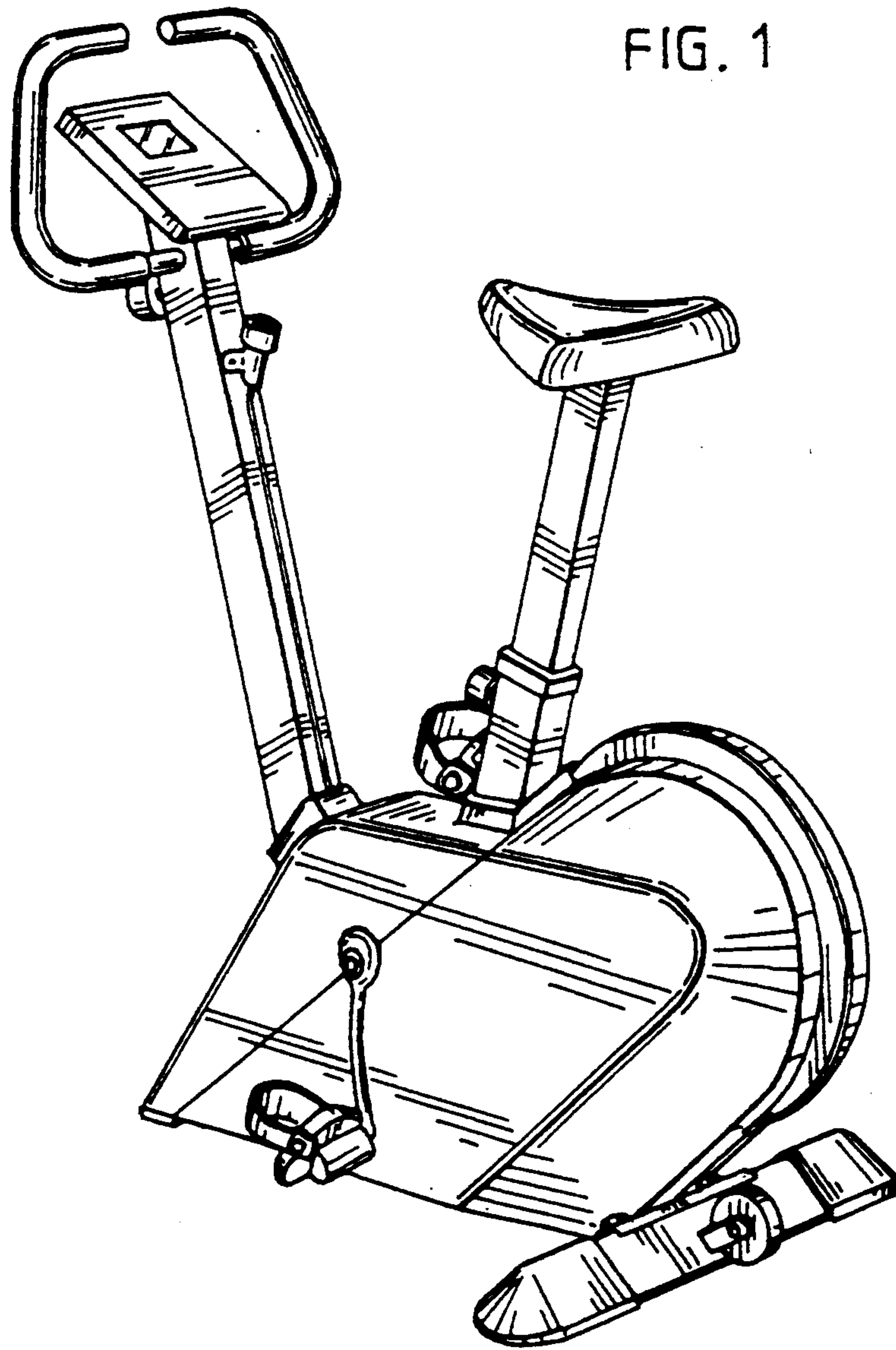


FIG. 1

FIG. 2

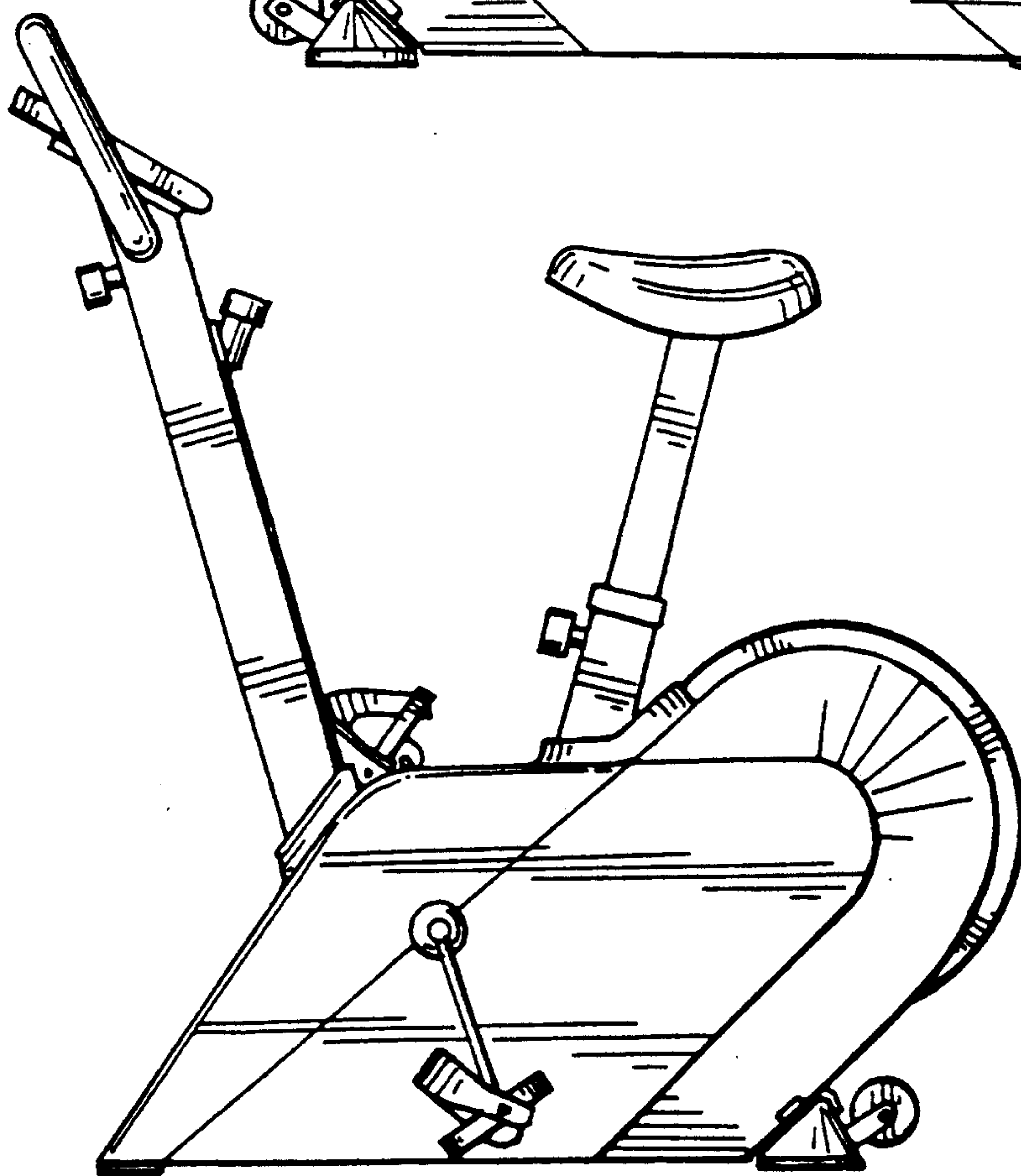
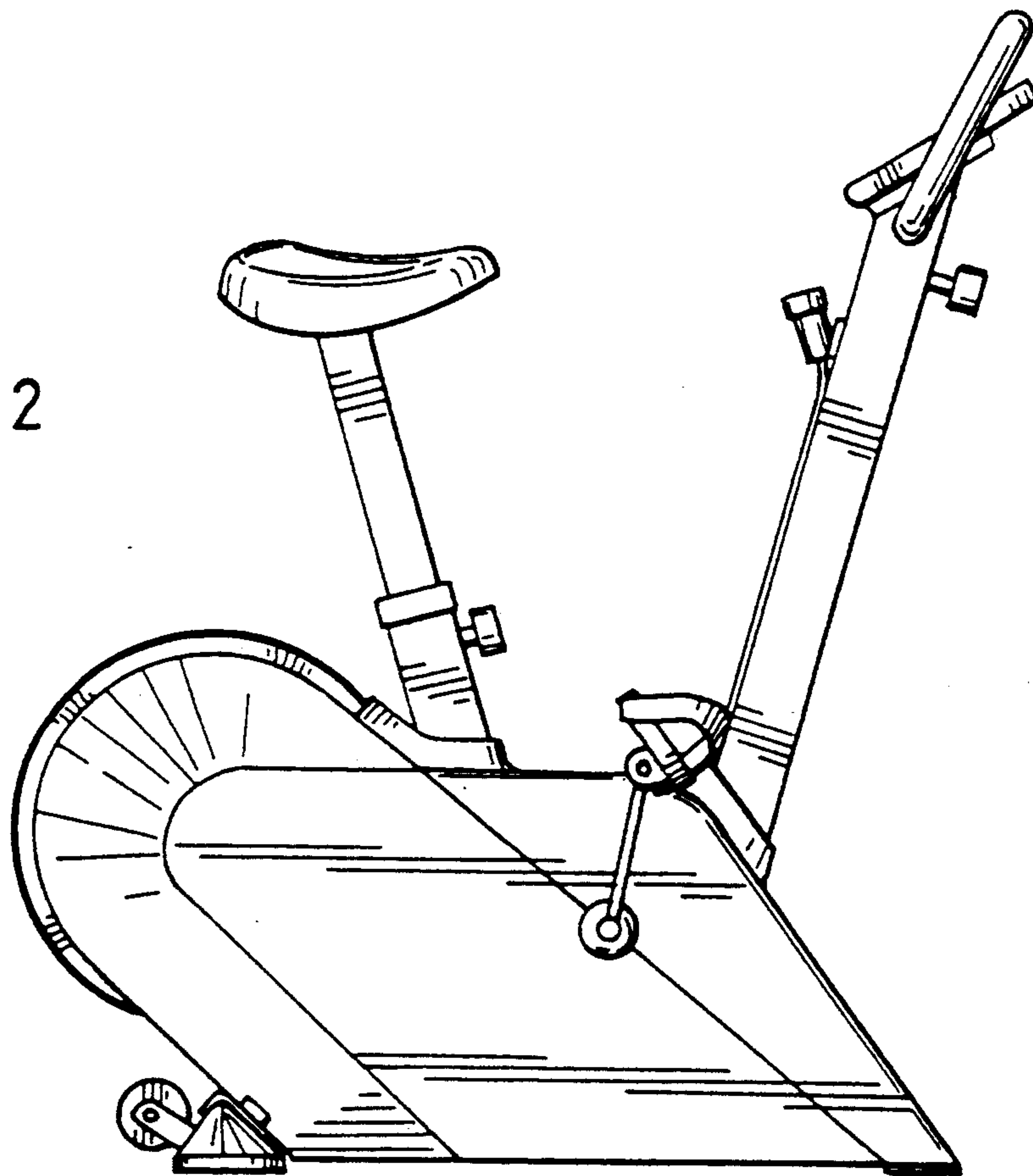


FIG. 3

FIG. 4

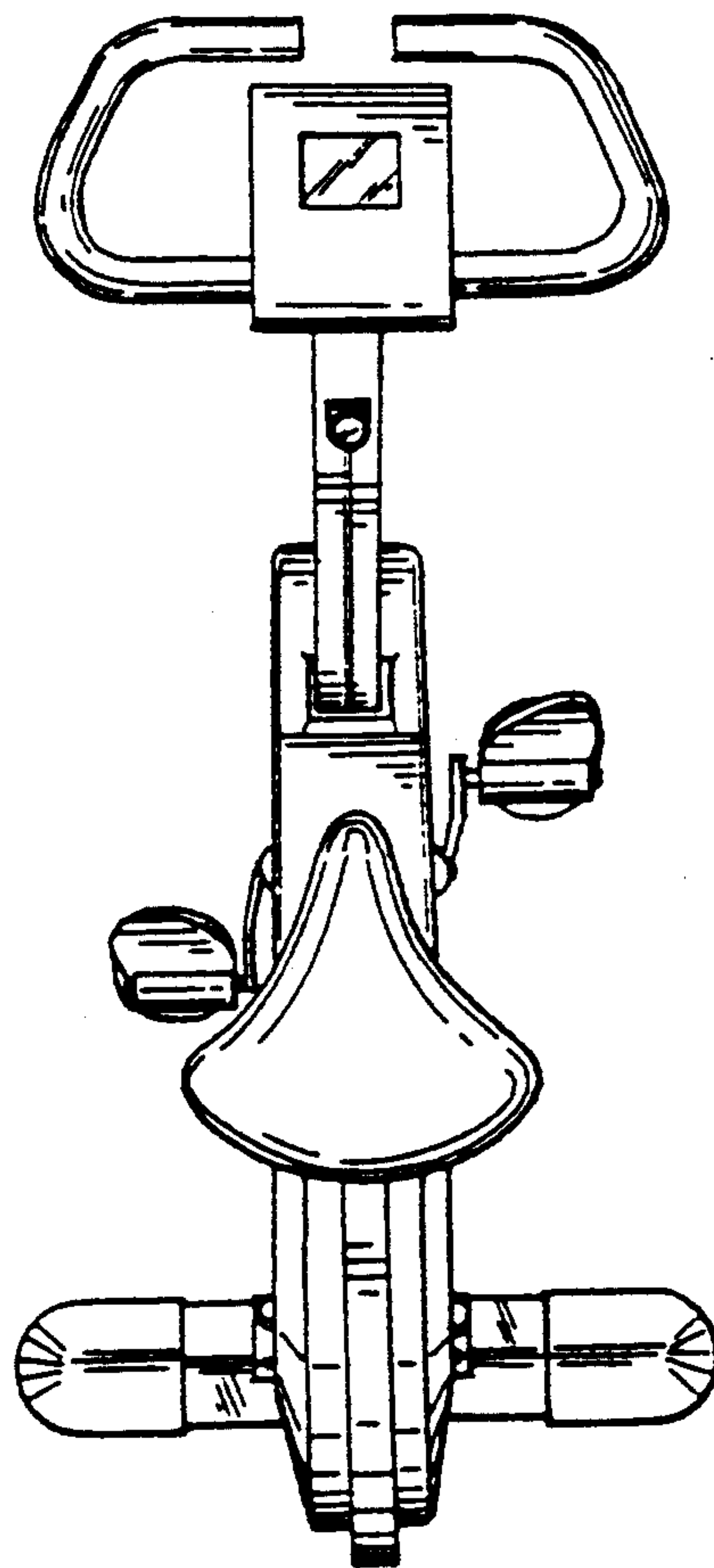
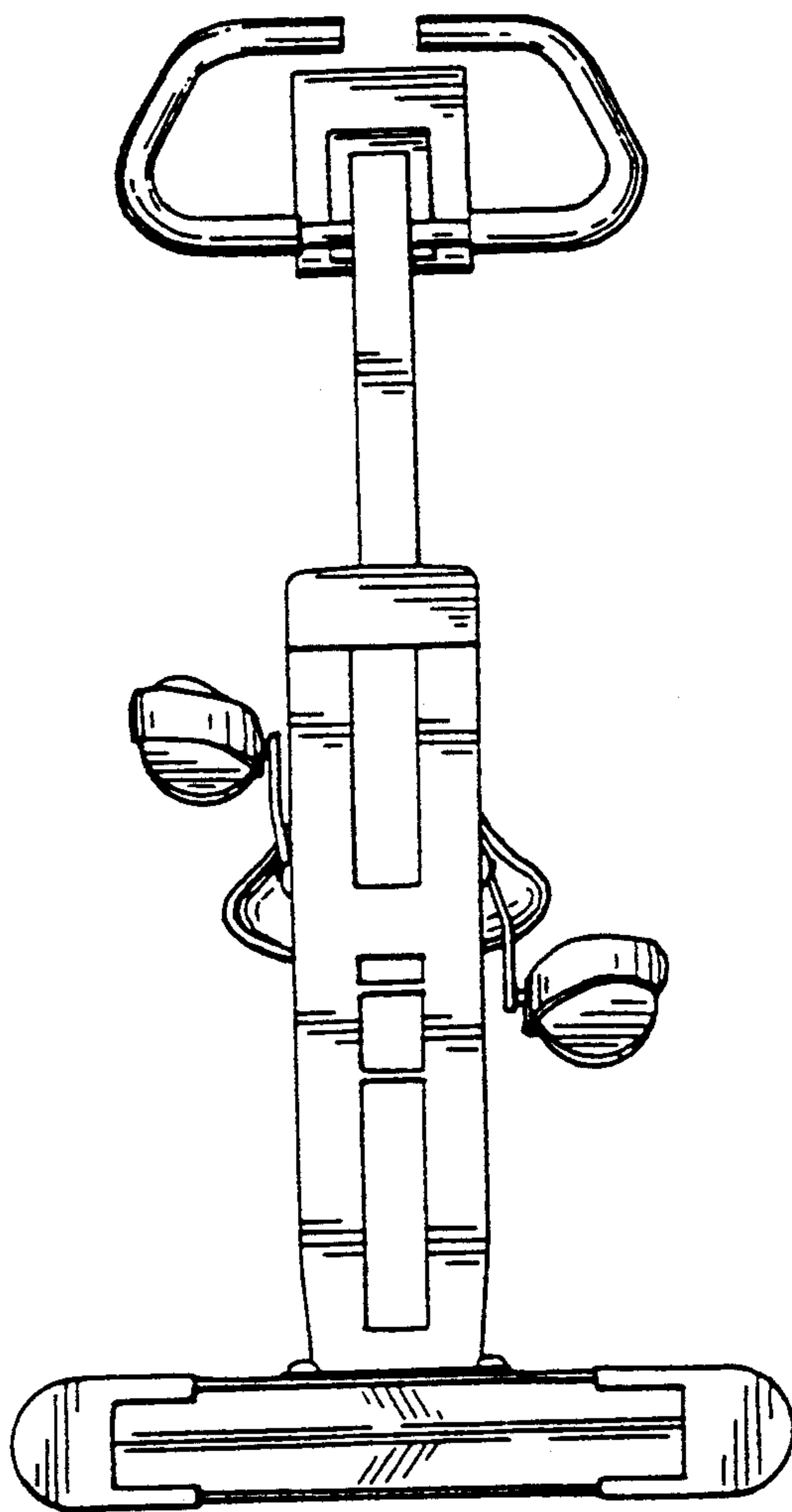


FIG. 5

FIG. 6

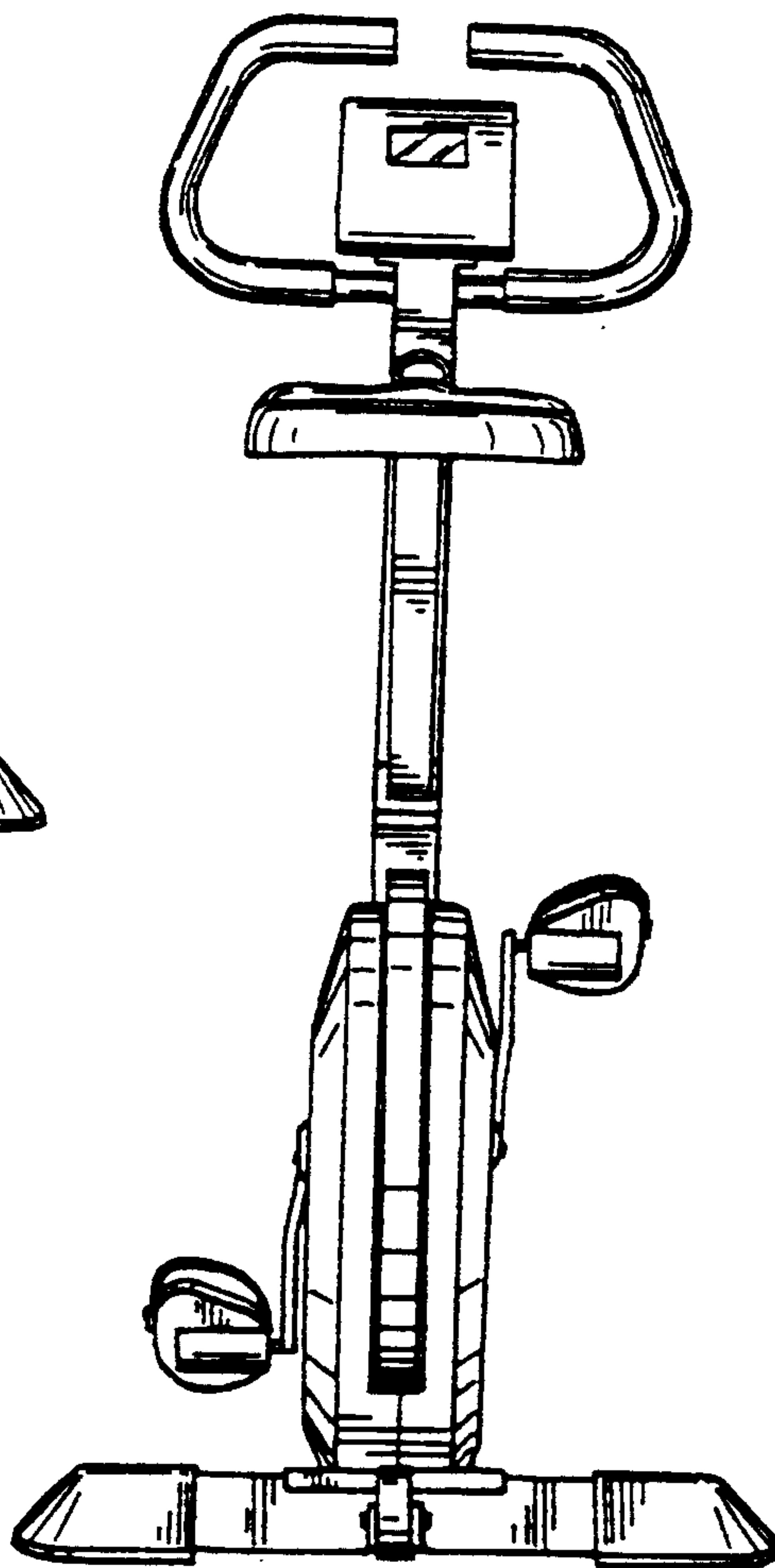
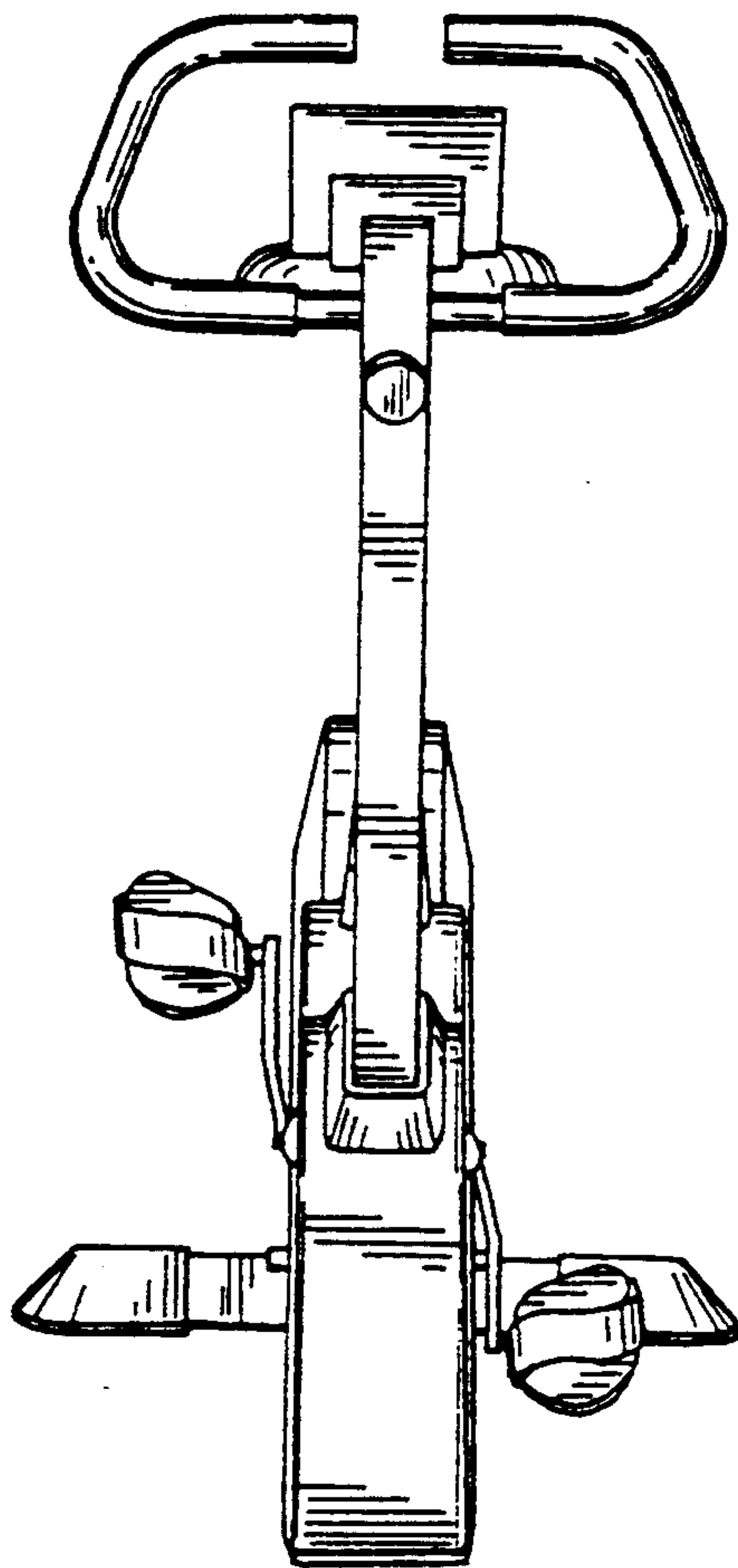


FIG. 7