



US00D343657S

United States Patent [19]

[11] Patent Number: **Des. 343,657**

Ruszkai

[45] Date of Patent: **** Jan. 25, 1994**

[54] **TOY LOCOMOTIVE**

4,925,424 5/1990 Takahashi 446/441

[76] Inventor: **Ede F. Ruszkai**, Todesgade 6, 4. tv.,
DK-2200 Kobenhavn N, Denmark

OTHER PUBLICATIONS

Tyco Toy catalog 1987 p. 21 bottom center of page.

[**] Term: **14 Years**

Primary Examiner—Bernard Ansher

Assistant Examiner—R. Barkai

[21] Appl. No.: **1,910**

[57] CLAIM

[22] Filed: **Nov. 24, 1992**

The ornamental design for a toy locomotive, as shown and described.

[52] U.S. Cl. **D21/129**

[58] Field of Search 446/90, 175, 227, 410,
446/441, 447, 455, 467; 104/118, 124, 125,
DIG. 1; 105/141, 1.5, 29.2; D21/129, 143;
D12/37

DESCRIPTION

FIG. 1 is a top perspective view of the toy locomotive showing my new design;

FIG. 2 is a front elevational view thereof;

FIG. 3 is a side elevational view thereof, the other side being identical;

FIG. 4 is a rear elevational view thereof;

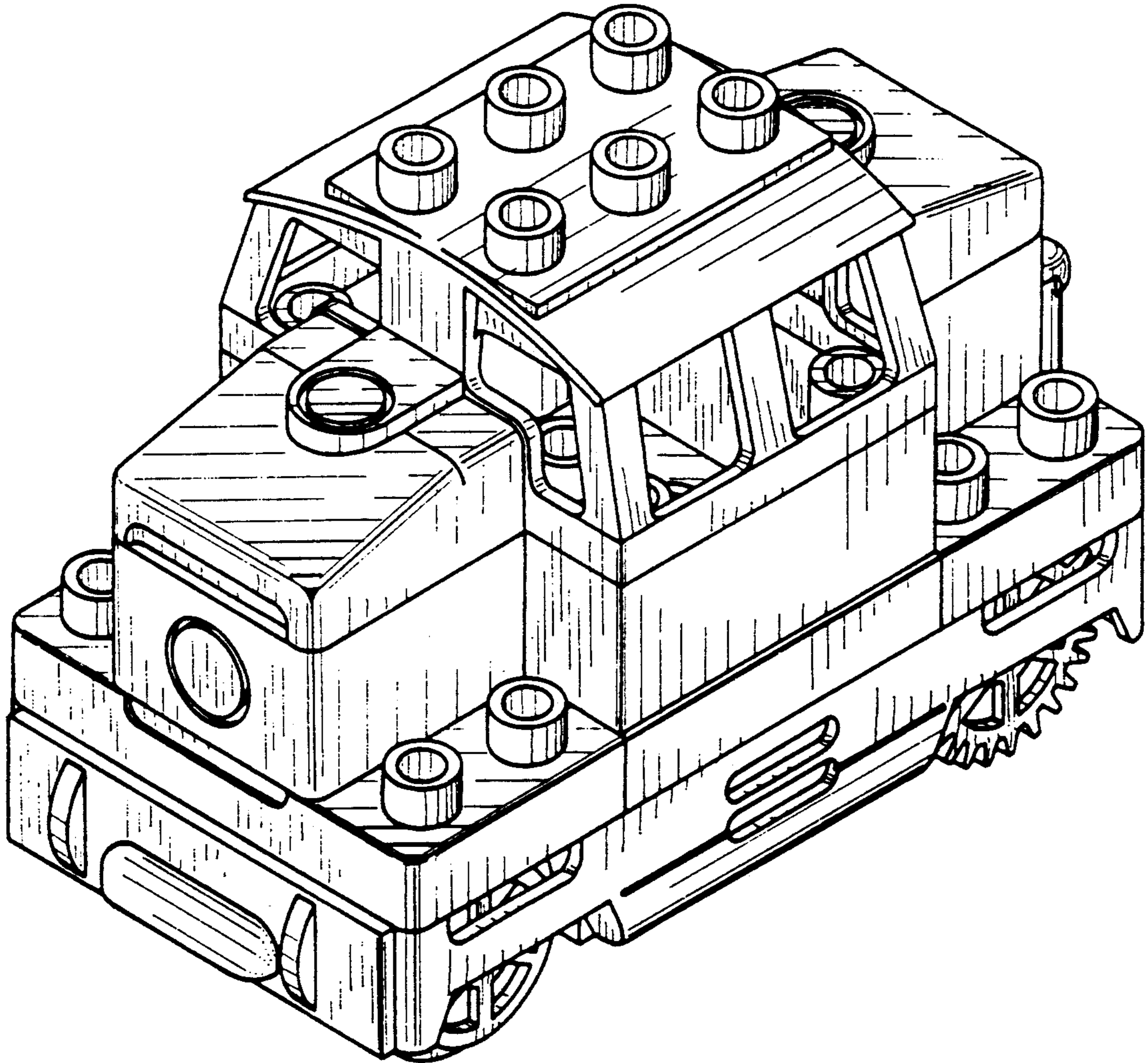
FIG. 5 is a top plan view thereof; and,

FIG. 6 is a bottom plan view thereof.

[56] References Cited

U.S. PATENT DOCUMENTS

- 1,632,441 6/1927 Forchheimer 104/DIG. 1
- 1,726,670 9/1929 Koerber 104/DIG. 1
- 4,861,306 8/1989 Bolli 446/90



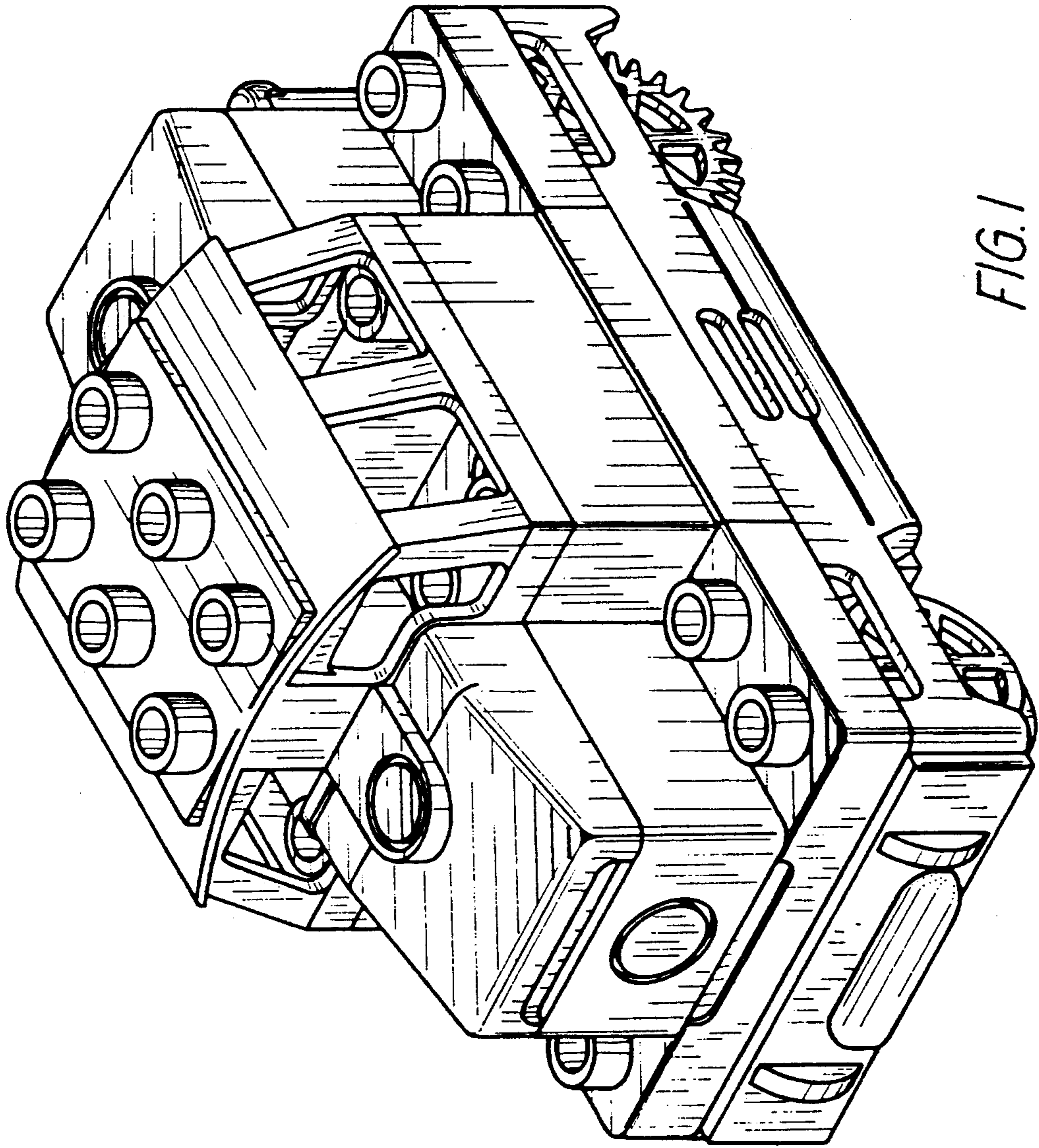


FIG. 1

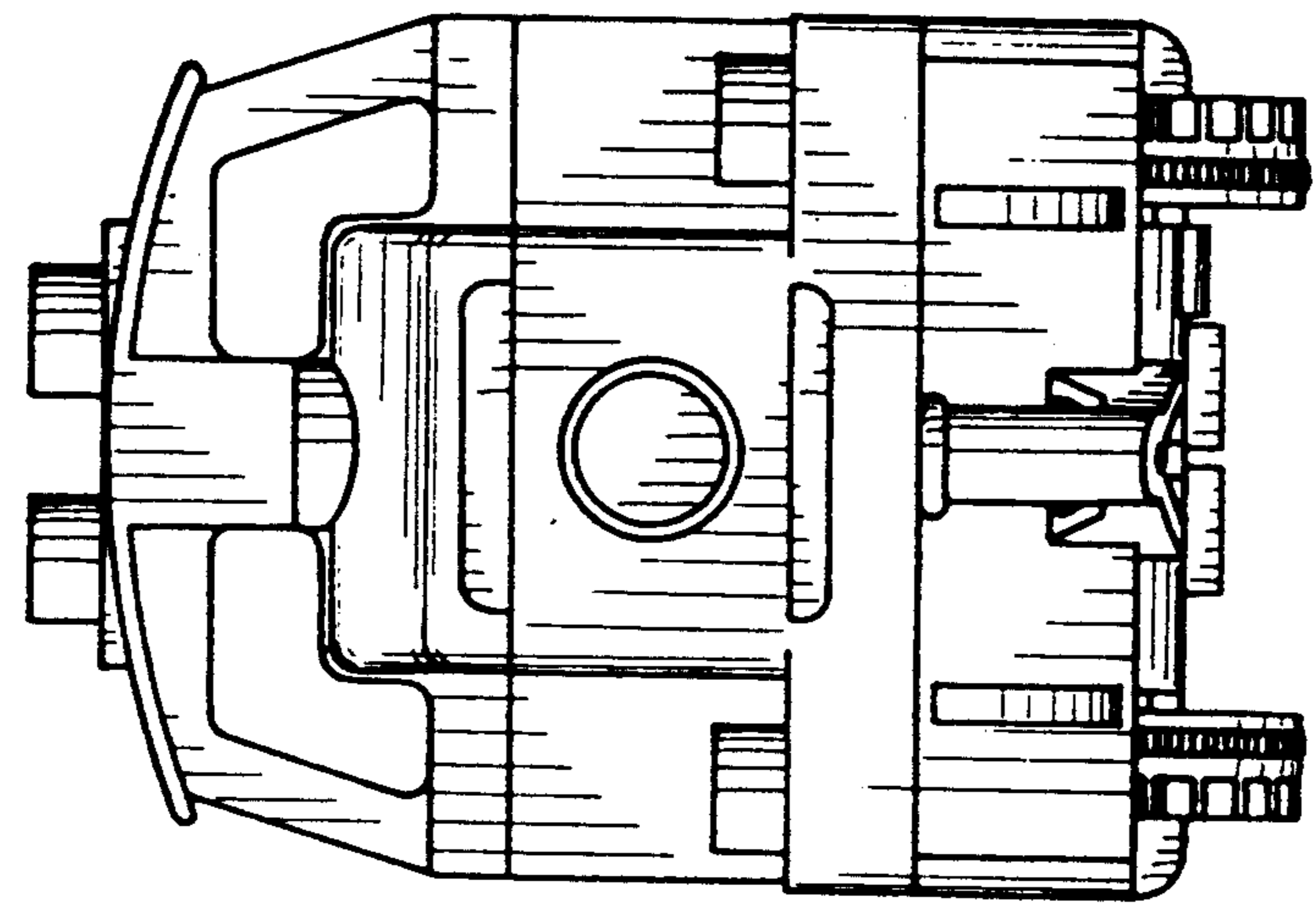


FIG. 4

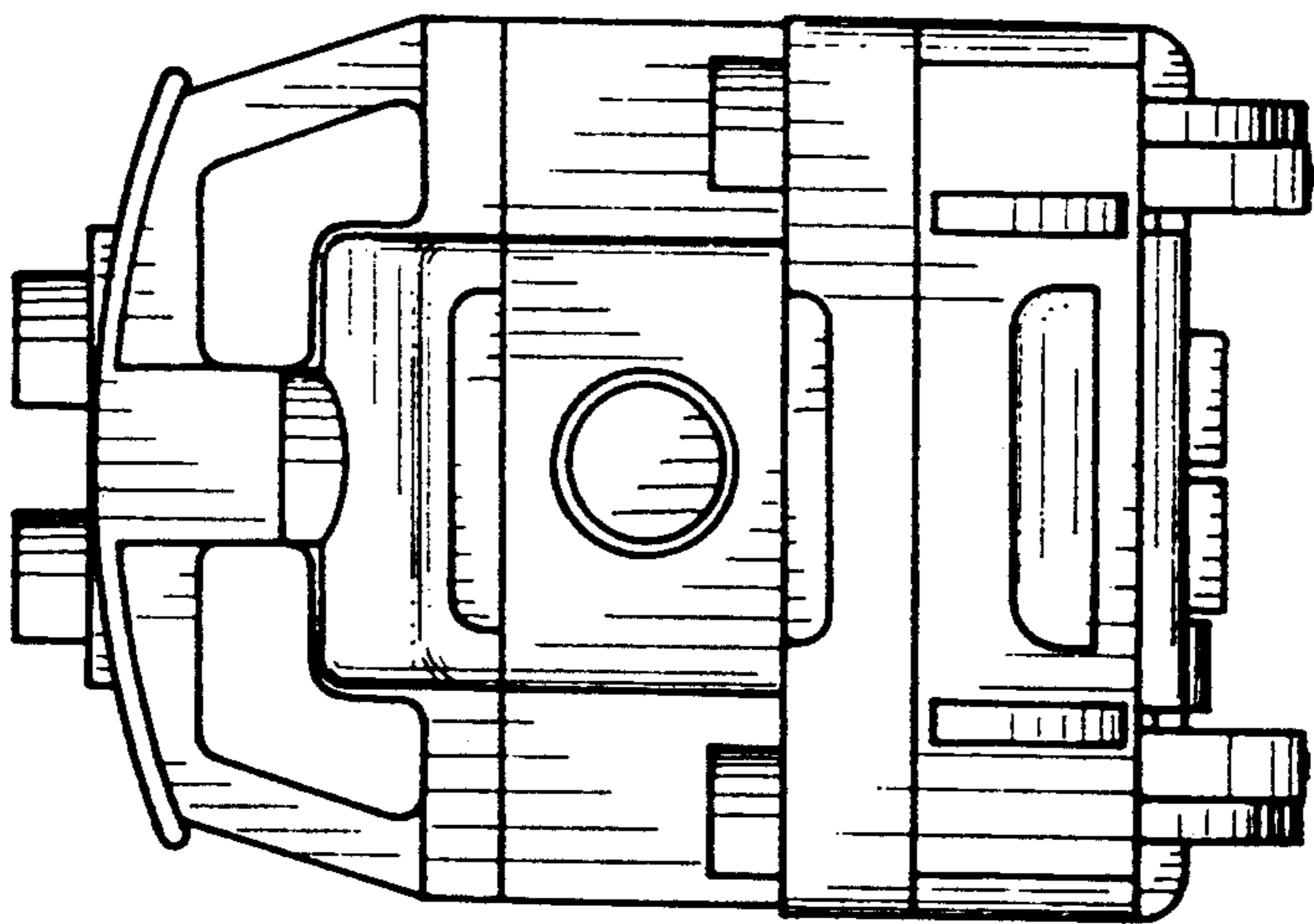


FIG. 2

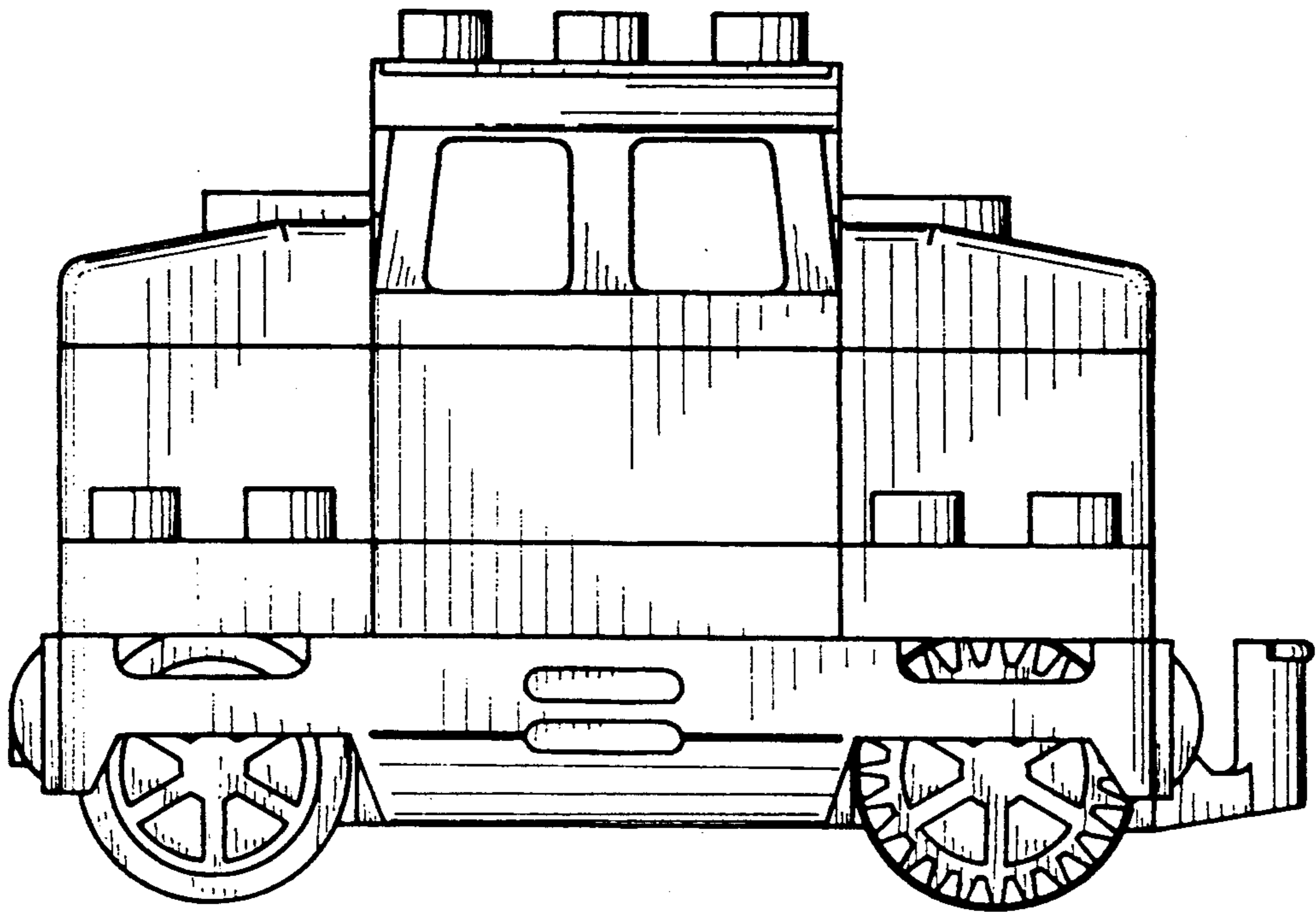


FIG. 3

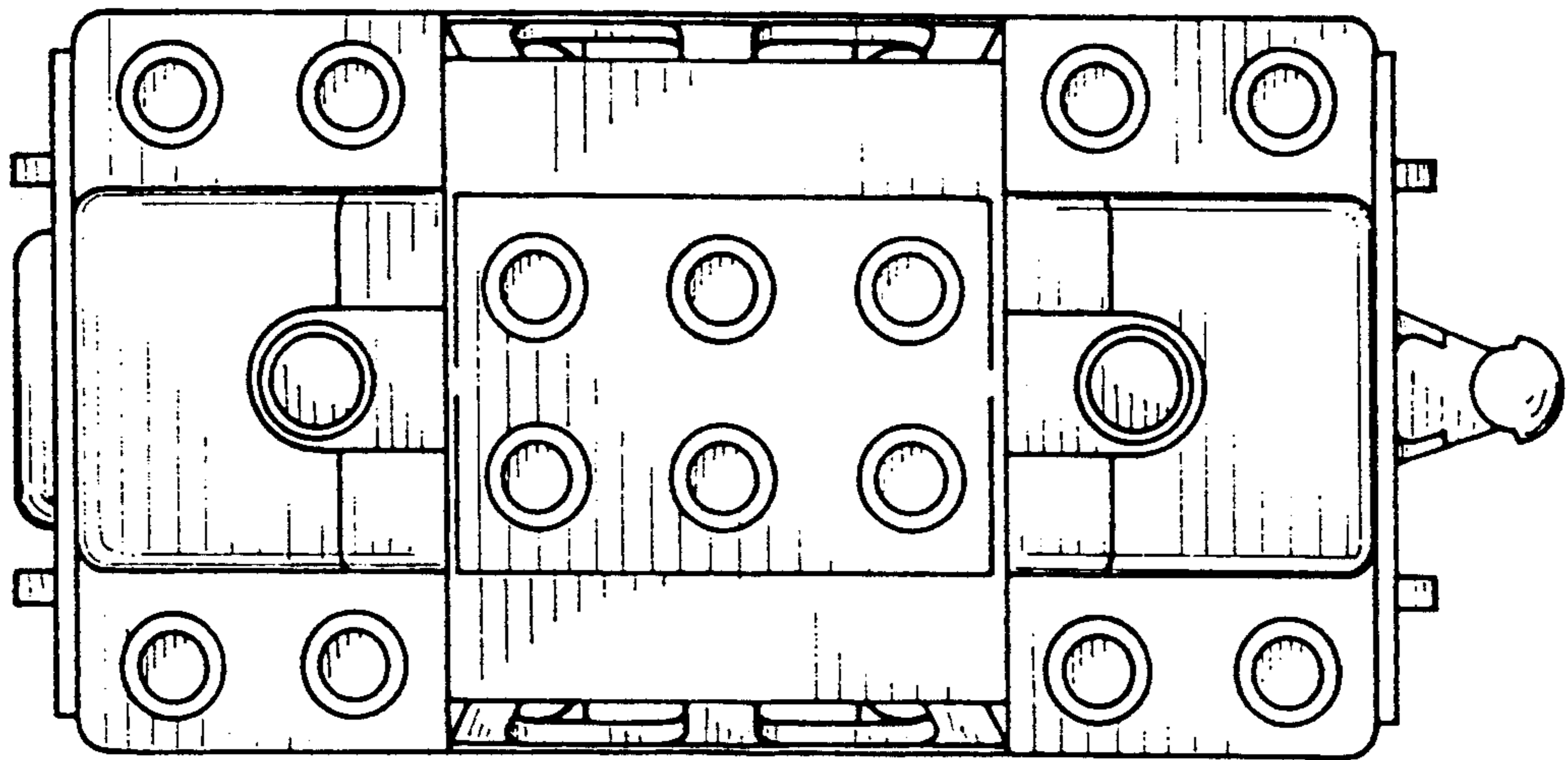


FIG. 5

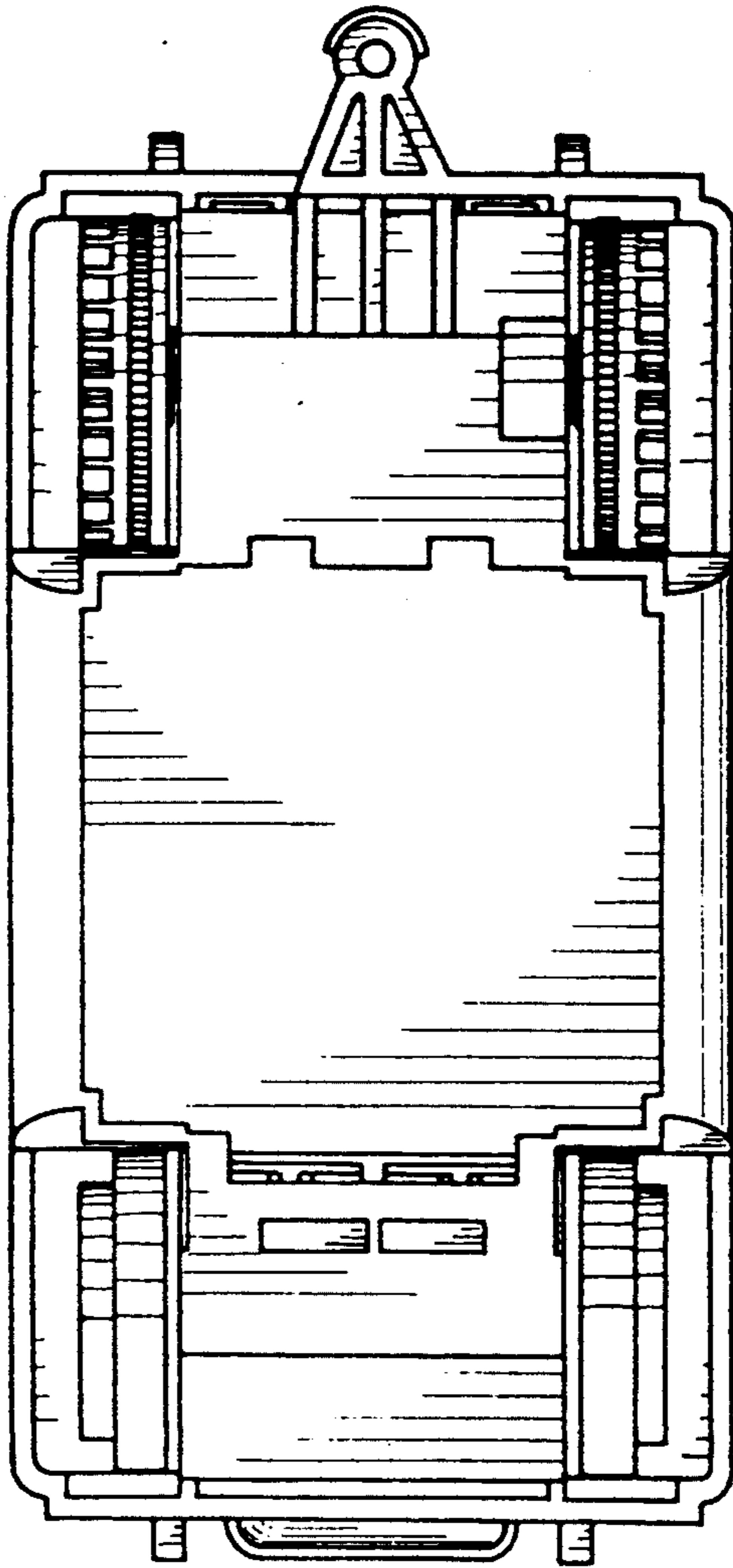


FIG. 6

UNITED STATES PATENT AND TRADEMARK OFFICE
CERTIFICATE OF CORRECTION

PATENT NO. : Des. 343,657
DATED : January 25, 1994
INVENTOR(S) : Ede F. Ruskai

It is certified that error appears in the above-identified patent and that said Letters Patent is hereby corrected as shown below:

On the title page, Item [73] Assignee please
insert the following:

Assignee: INTERLEGO A.G.
Baar, Switzerland

Signed and Sealed this
Thirty-first Day of January, 1995

Attest:



BRUCE LEHMAN

Attesting Officer

Commissioner of Patents and Trademarks