



US00D343656S

United States Patent [19]

[11] Patent Number: **Des. 343,656**

Shiraishi

[45] Date of Patent: **** Jan. 25, 1994**

[54] MOLE PUNCHING TOY

3,138,894 6/1964 Reaux 446/1

[75] Inventor: **Masami Shiraishi, Tokyo, Japan**

OTHER PUBLICATIONS

Barry Toycraft Catalog; 1965; Bang Balls Toy.

[73] Assignee: **Combi Corporation, Tokyo, Japan**

Primary Examiner—Bernard Ansher

[**] Term: **14 Years**

Assistant Examiner—Dominic Simone

[21] Appl. No.: **912,649**

Attorney, Agent, or Firm—Sughrue, Mion, Zinn,
Macpeak & Seas

[22] Filed: **Jul. 14, 1992**

[57] CLAIM

[30] Foreign Application Priority Data

The ornamental design for a mole punching toy, as shown.

Jan. 29, 1992 [JP] Japan 4-1891

DESCRIPTION

[52] U.S. Cl. **D21/103**

[58] Field of Search 446/1, 227, 408;
D21/59, 64, 103

FIG. 1 is a front, top and right side perspective view of a mole punching toy showing my new design;
FIG. 2 is a front elevational view thereof;
FIG. 3 is a rear elevational view thereof;
FIG. 4 is a top plan view thereof;
FIG. 5 is a bottom plan view thereof;
FIG. 6 is a left side elevational view thereof; and,
FIG. 7 is a right side elevational view thereof.

[56] References Cited

U.S. PATENT DOCUMENTS

- D. 181,913 1/1958 Southwick D21/103
- 2,530,898 11/1950 Morrison 446/1
- 2,646,646 7/1953 Glass 446/1 X

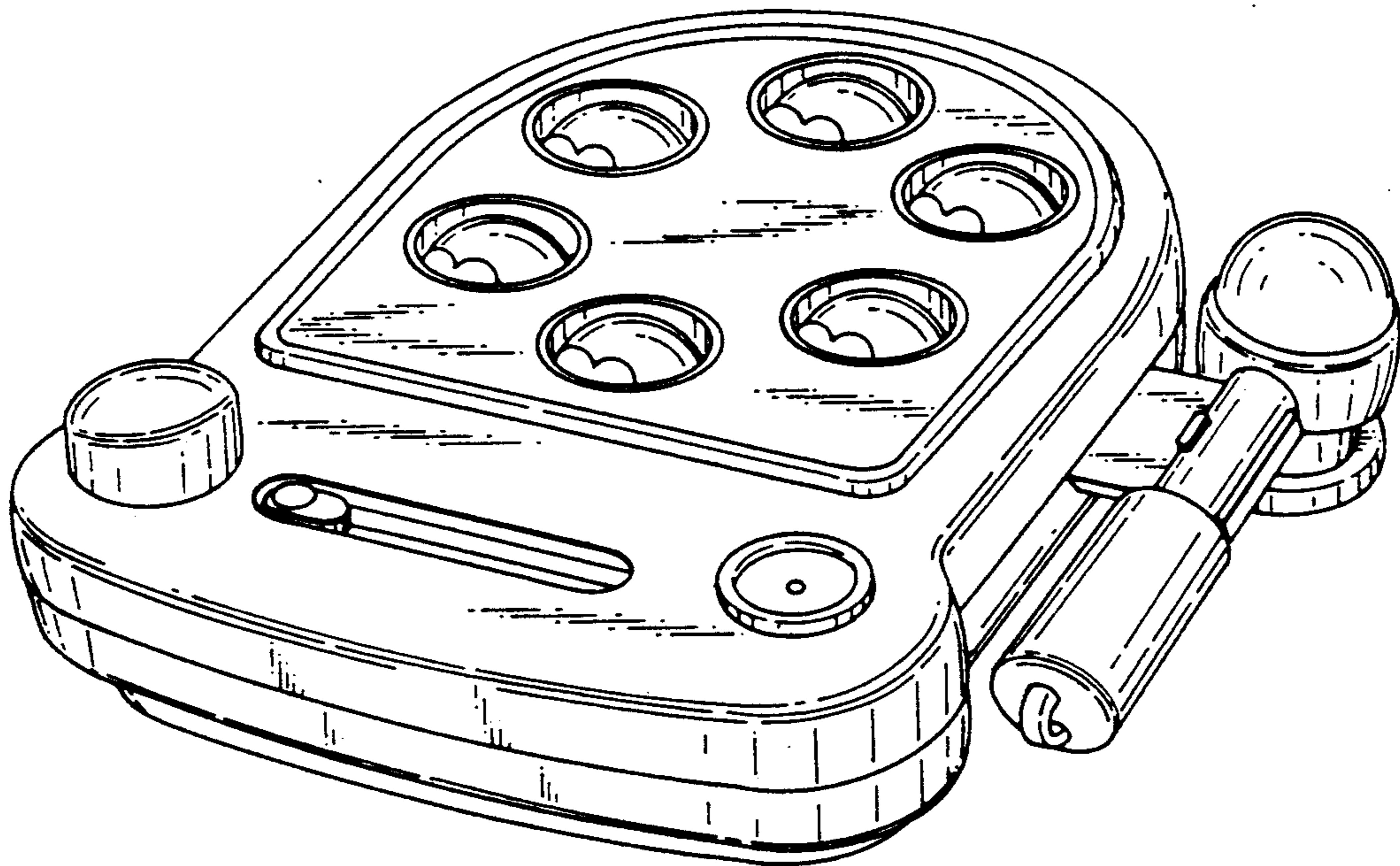


Fig. 1

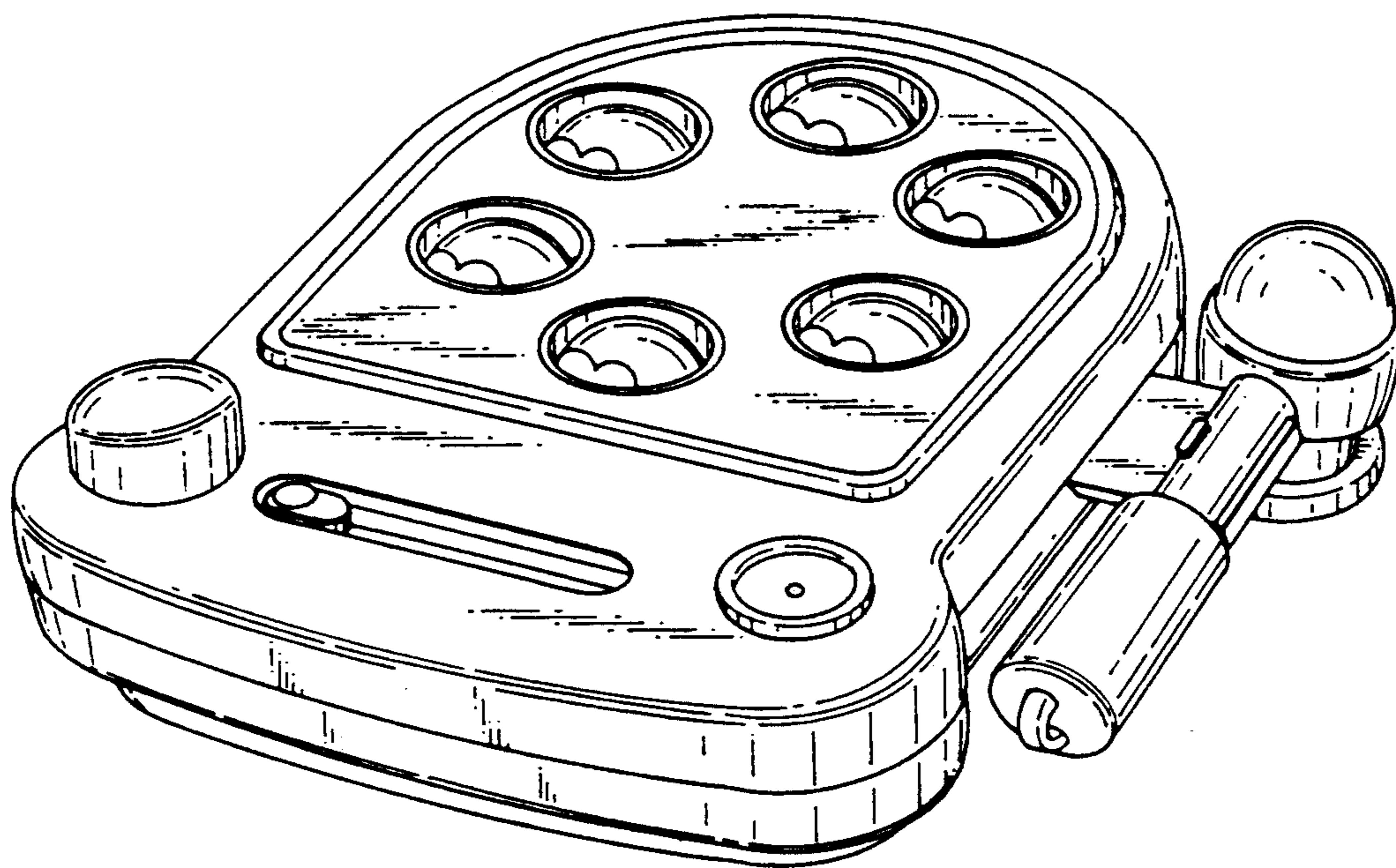


Fig. 2

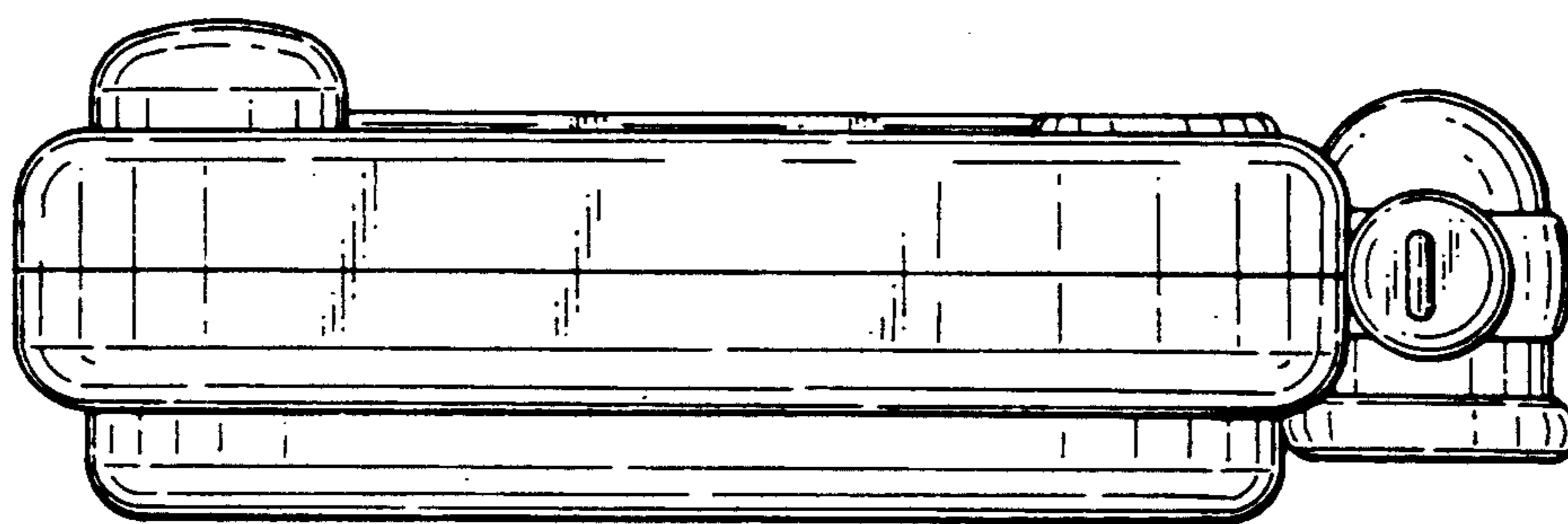


Fig. 3

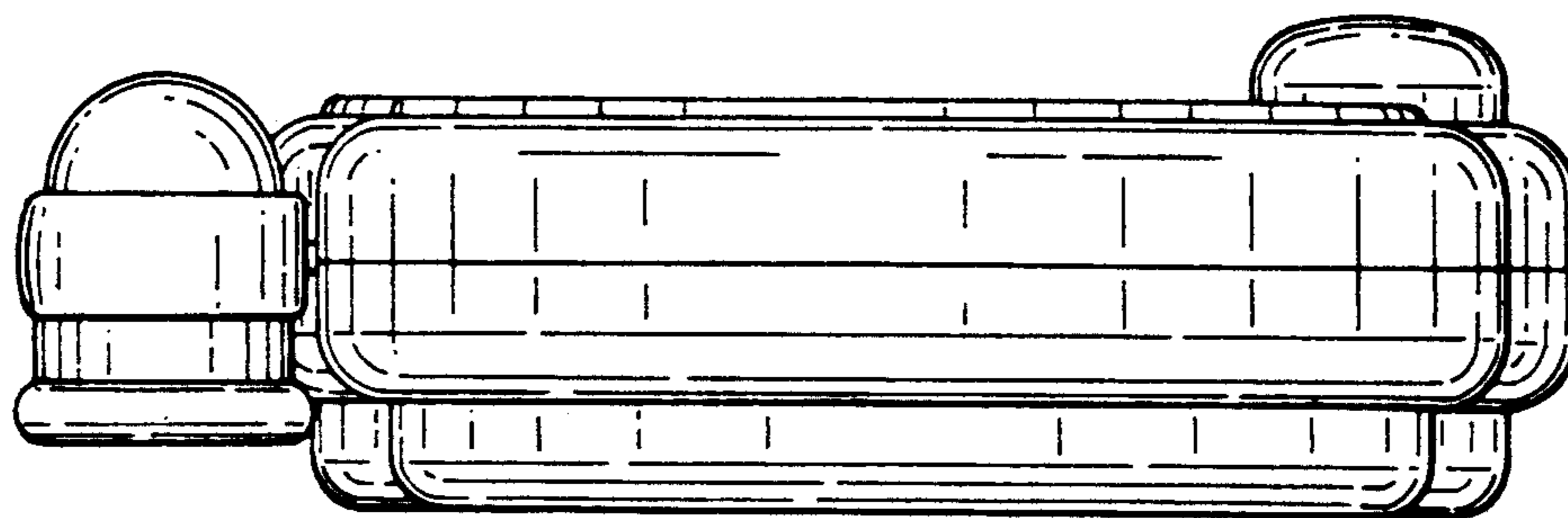


Fig. 4

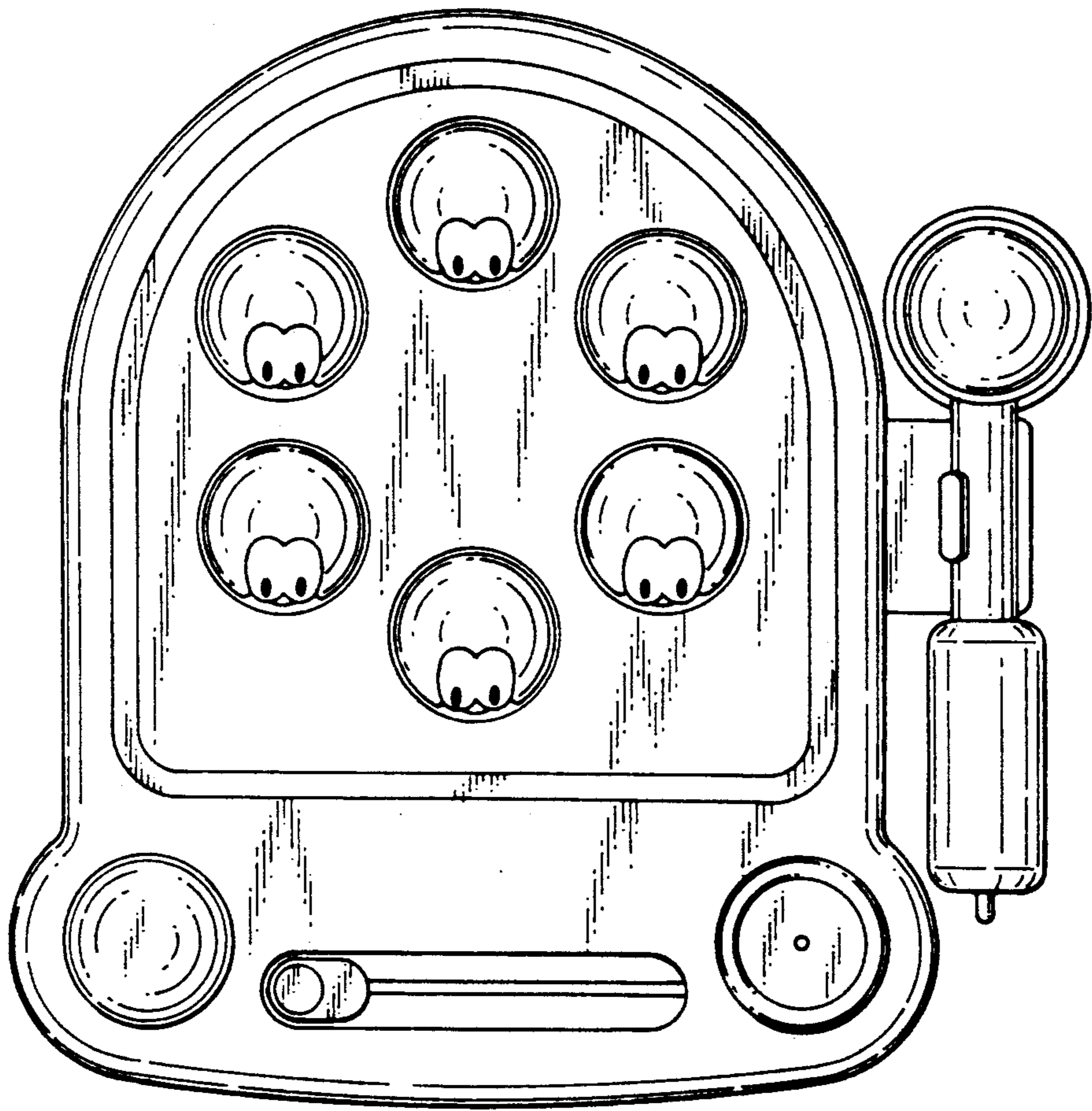


Fig. 5

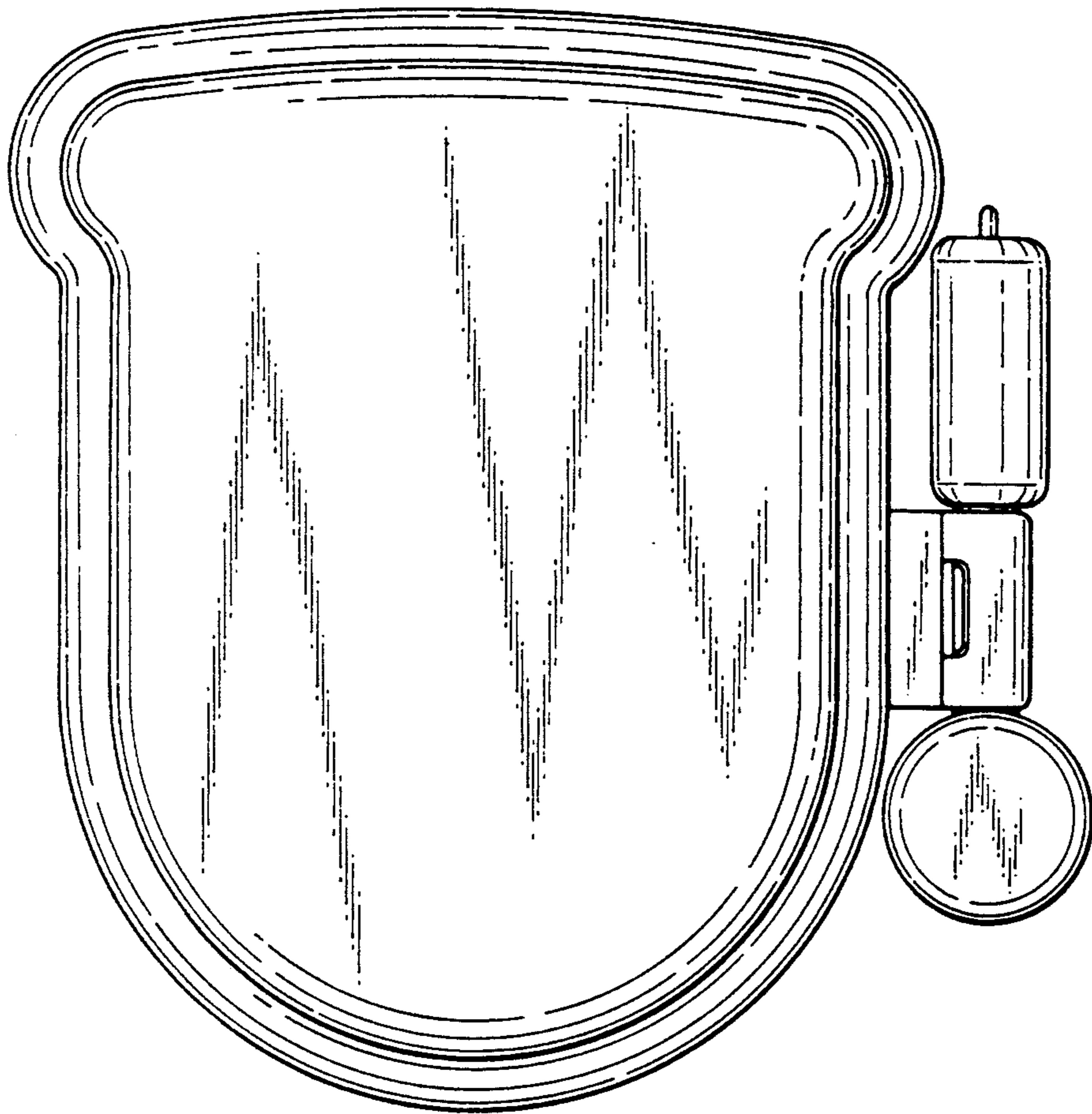


Fig. 6

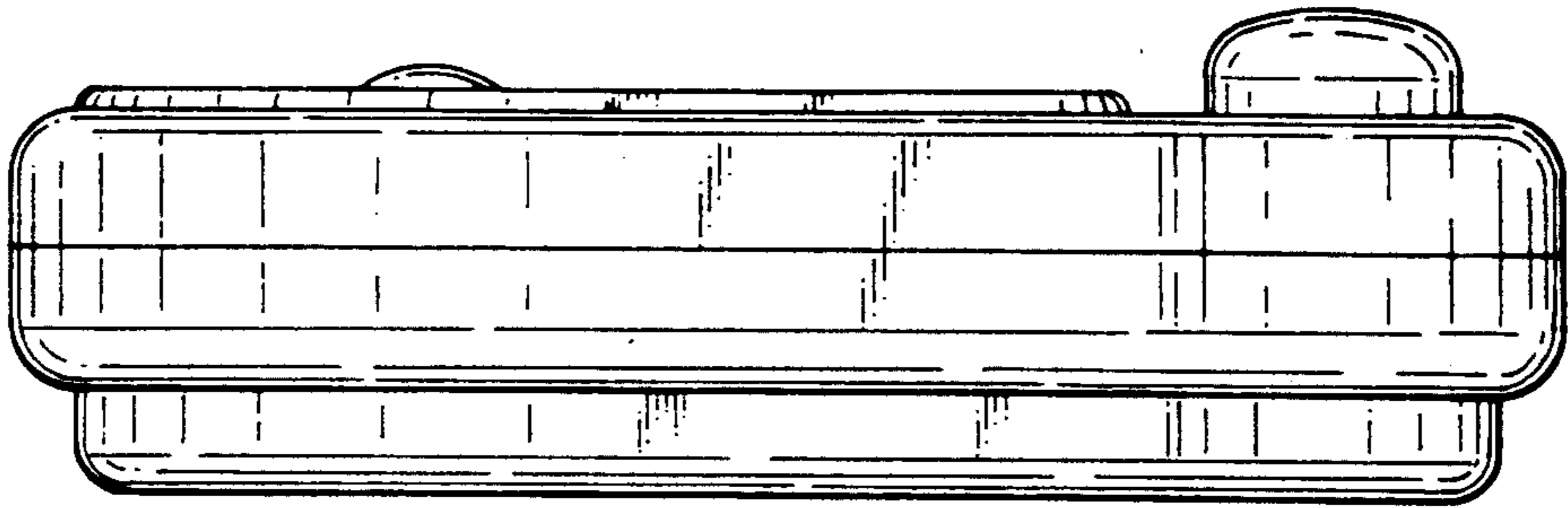


Fig. 7

