



US00D343649S

United States Patent [19]

[11] Patent Number: **Des. 343,649**

Ho

[45] Date of Patent: **** Jan. 25, 1994**

[54] **CONTROLLER FOR A VIDEO GAME MACHINE**

4,969,647 11/1990 Mical et al. 273/DIG. 28 X
5,059,958 10/1991 Jacobs et al. 273/148 B X
5,207,426 5/1993 Inoue et al. 273/438 X

[75] Inventor: **Patrick T. Ho, Kwai Chung, Hong Kong**

OTHER PUBLICATIONS

[73] Assignee: **Std Electronic International Ltd, Hong Kong, Hong Kong**

Playthings, Sep., 1988; p. 49, Shown by Arrow.
Hong Kong Enterprise, Oct. 1990, p. 813, item #QS-127.

[**] Term: **14 Years**

Primary Examiner—Bernard Ansher
Assistant Examiner—Prabhakar G. Deshmukh
Attorney, Agent, or Firm—Burns, Doane, Swecker & Mathis

[21] Appl. No.: **1,697**

[22] Filed: **Nov. 20, 1992**

[30] Foreign Application Priority Data

Jun. 22, 1992 [GB] United Kingdom 2023751
[52] U.S. Cl. **D21/48**
[58] Field of Search 273/148 B, 433-438,
273/DIG. 28; D21/48, 13, 1; D14/114, 125,
126, 217, 218

[57] CLAIM

The ornamental design for a controller for a video game machine, as shown and described.

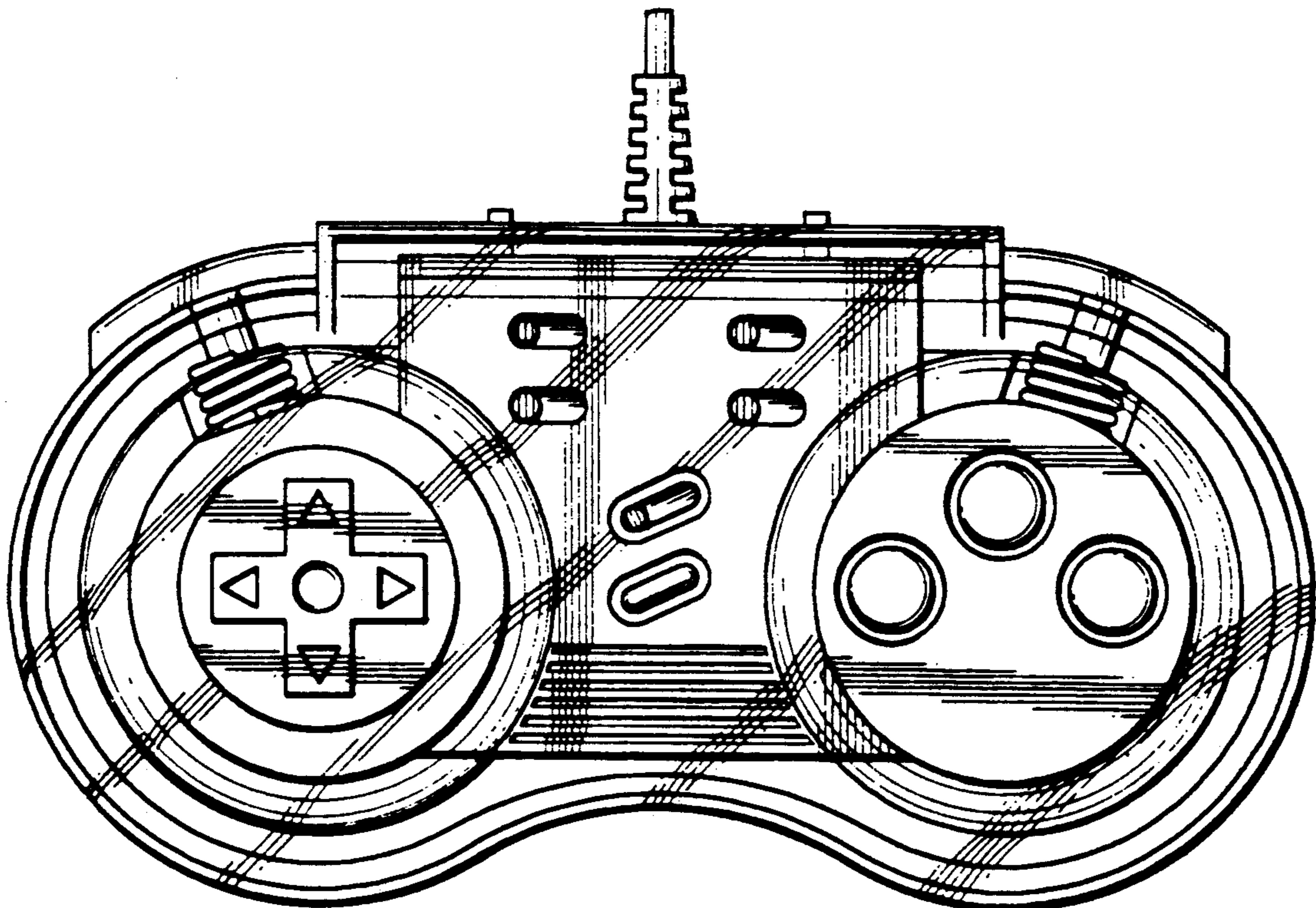
[56] References Cited

U.S. PATENT DOCUMENTS

D. 314,193 1/1991 Ishihara et al. D14/114
D. 325,225 4/1992 Adhida D21/48
4,552,360 11/1985 Bromley et al. 273/438 X

DESCRIPTION

FIG. 1 is the front elevational view of a controller for a video game machine showing my new design; FIG. 2 is the rear elevational view thereof; FIG. 3 is the left side view thereof; FIG. 4 is the right side view thereof; FIG. 5 is the top plan view thereof; and, FIG. 6 is the bottom plan view thereof.



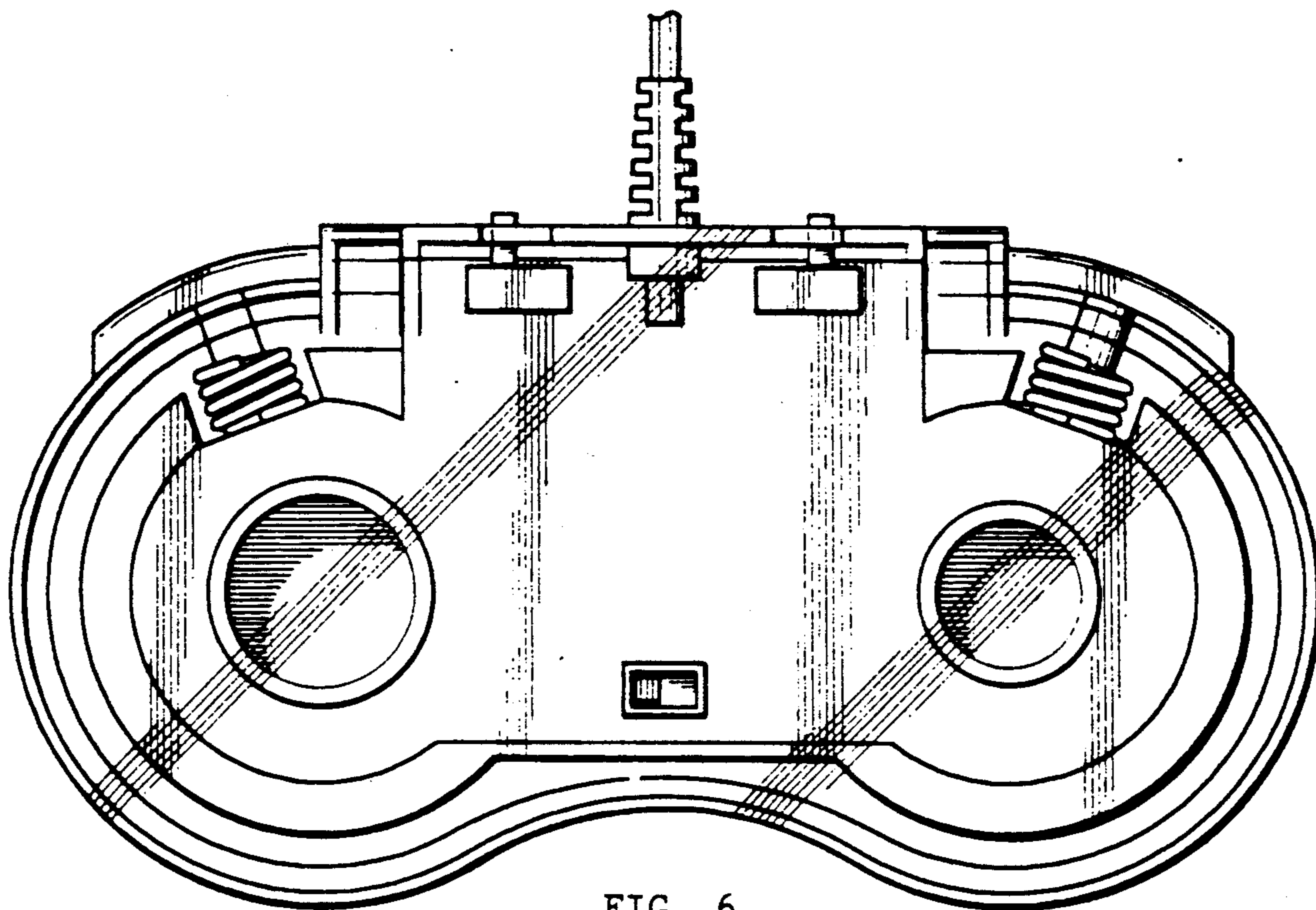


FIG. 6

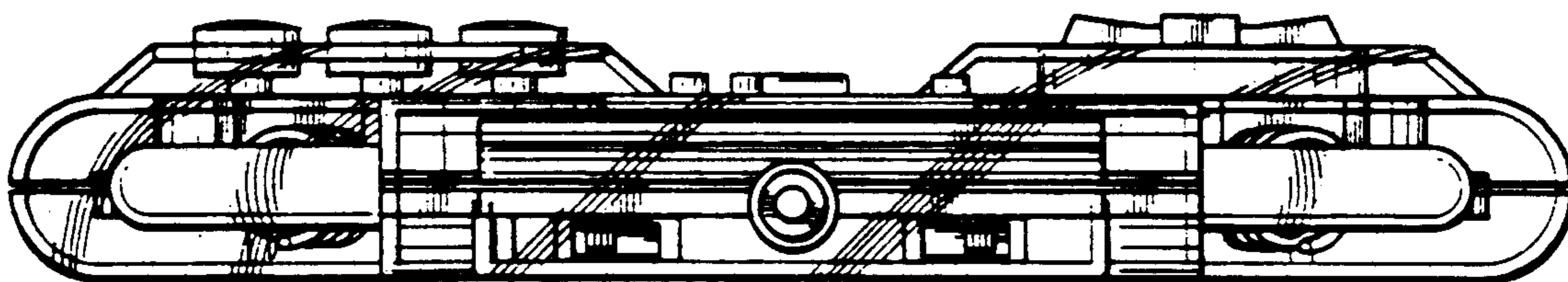


FIG. 1

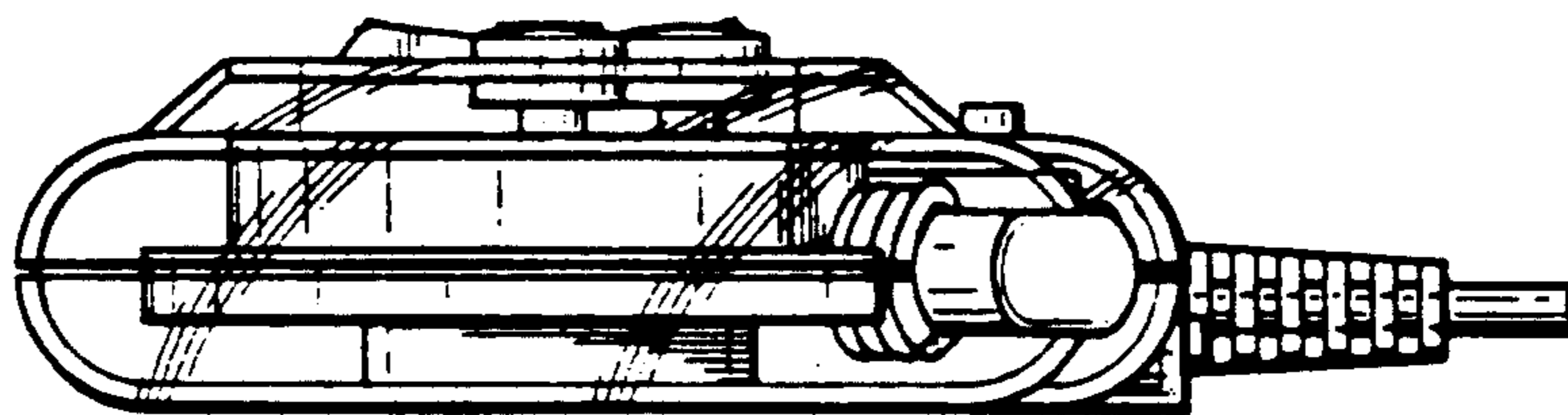


FIG. 3

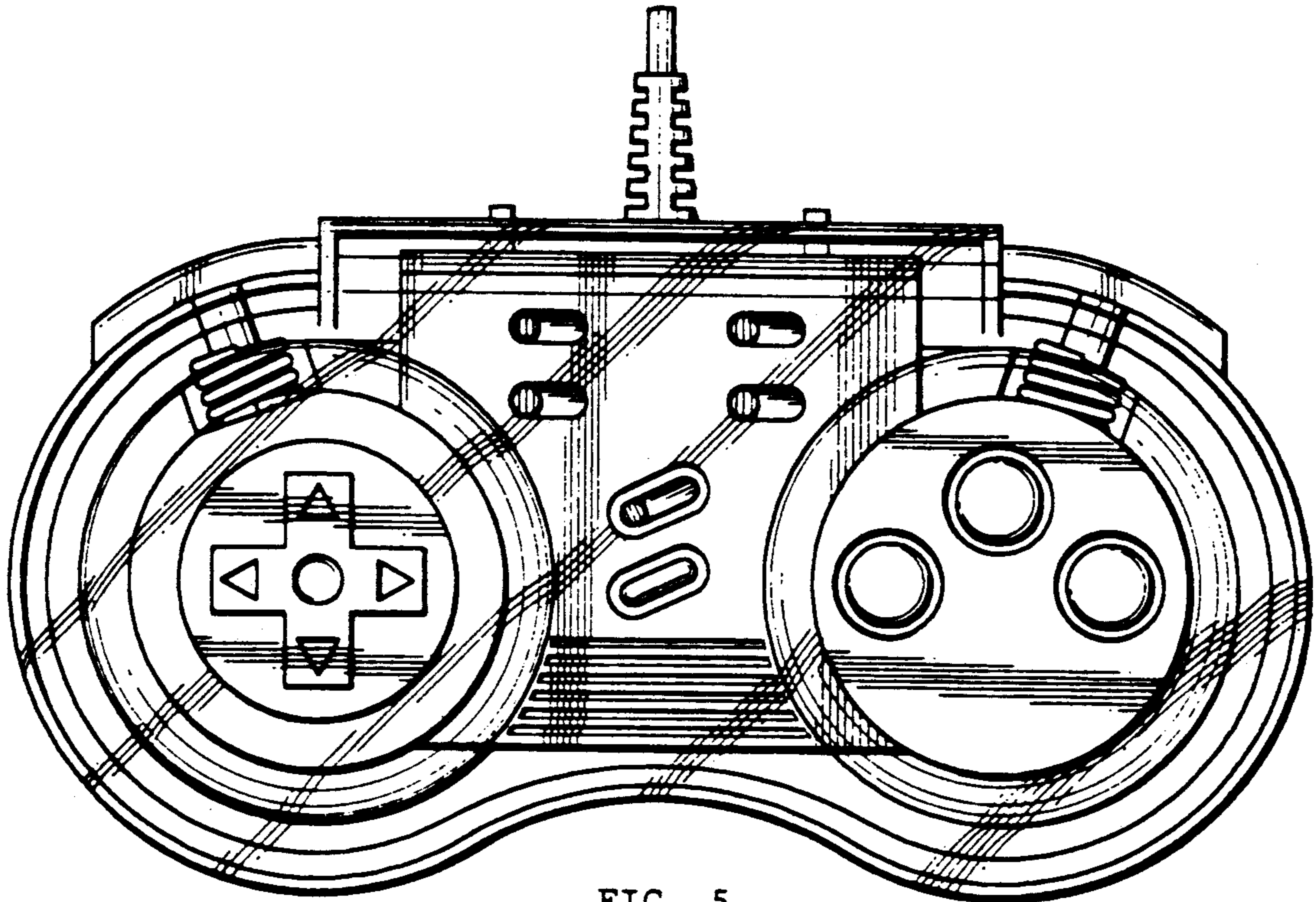


FIG. 5

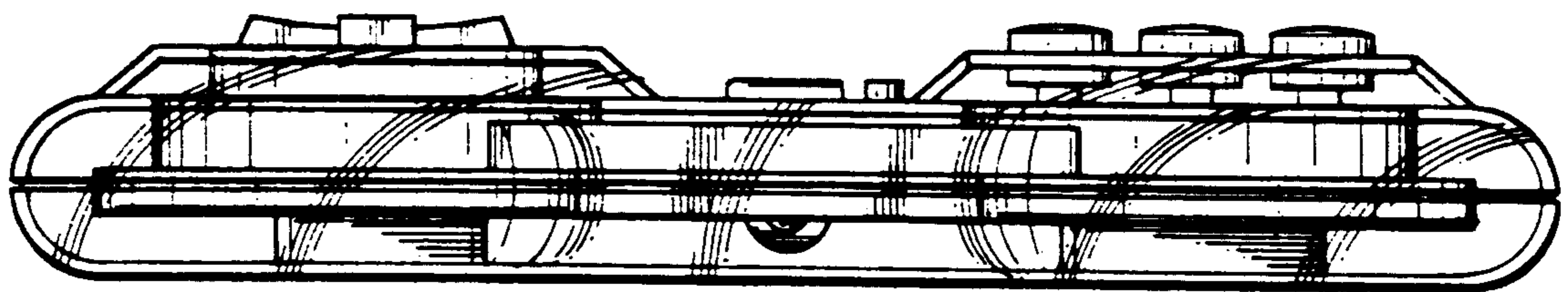


FIG. 2

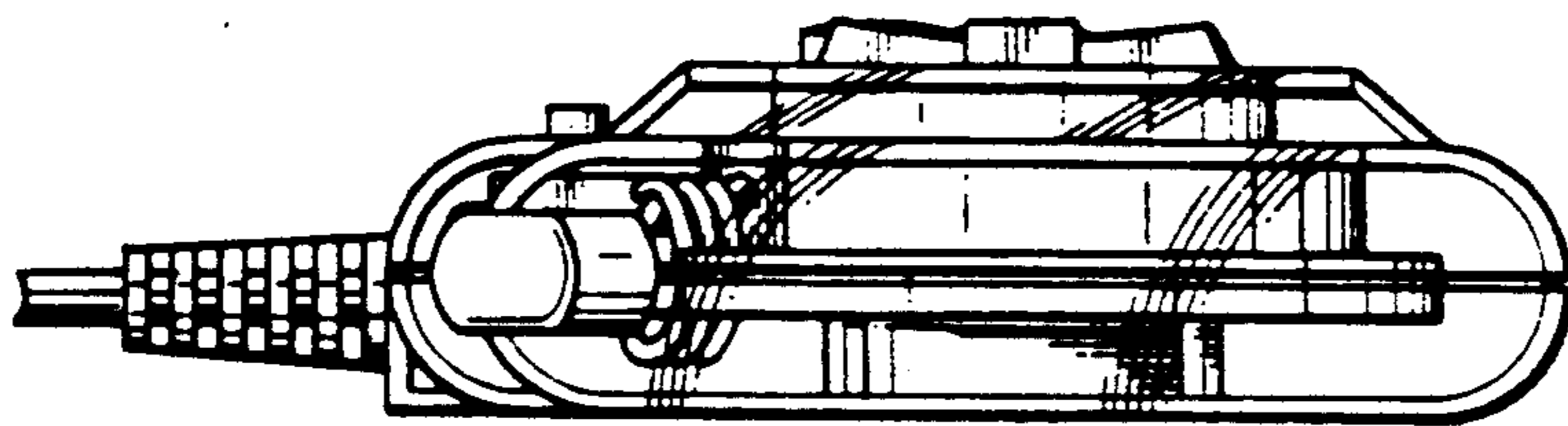


FIG. 4