



US00D343646S

United States Patent [19]

[11] **Patent Number: Des. 343,646**

Semerjian et al.

[45] **Date of Patent: ** Jan. 25, 1994**

[54] **TRIGGER EXTENSION FOR A RING BINDER**

5,067,840 11/1991 Cooper et al. 402/38
5,116,157 5/1992 Gillum et al. 402/38

[75] **Inventors: Joseph K. Semerjian, Des Plaines; Joseph M. O'Neill, Darien, both of Ill.**

Primary Examiner—Wallace R. Burke
Assistant Examiner—Pamela Burgess
Attorney, Agent, or Firm—Pennie & Edmonds

[73] **Assignee: Acco USA, Inc., Wheeling, Ill.**

[57] **CLAIM**

[**] **Term: 14 Years**

The ornamental design for a trigger extension for a ring binder, as shown and described.

[21] **Appl. No.: 877,045**

DESCRIPTION

[22] **Filed: Apr. 30, 1992**

[52] **U.S. Cl. D19/32**

[58] **Field of Search** 281/21.1, 28, 27.1, 281/27.3, 27.2; 402/580, 75, 76, 80 R, 38; D19/32

FIG. 1 is a perspective view of a trigger extension for a ring binder showing my new design, the broken lines shown are for illustrative purposes only forming no part of the claimed design;

FIG. 2 is a front elevational view thereof;

FIG. 3 is a back elevational view thereof;

FIG. 4 is a right side view thereof with the left side elevational view being a mirror image;

FIG. 5 is a bottom view thereof; and,

FIG. 6 is a top view thereof.

[56] **References Cited**

U.S. PATENT DOCUMENTS

4,522,526 6/1985 Lozfau et al. 402/384
4,813,803 3/1989 Gross 402/38

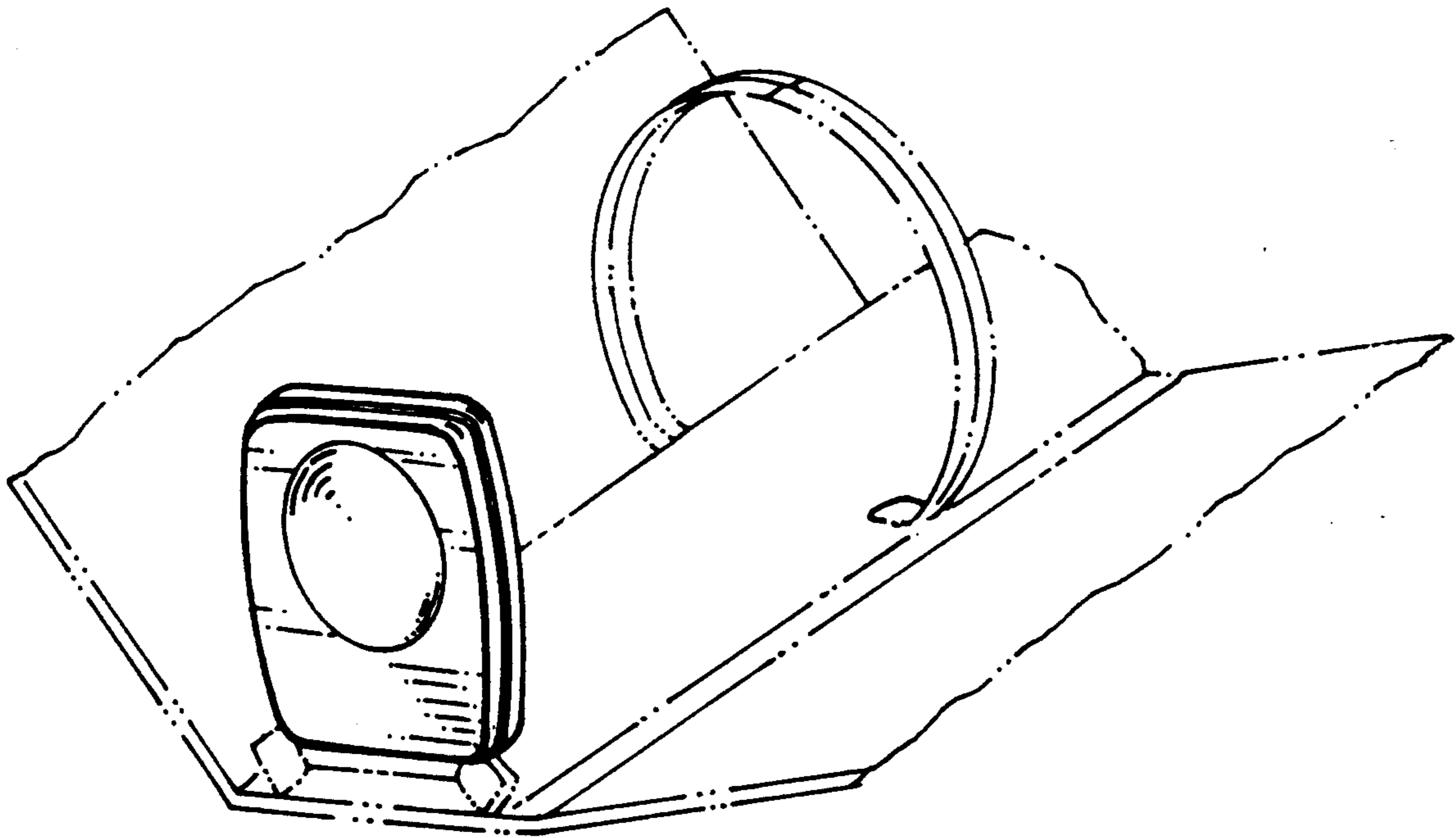


FIG. 1

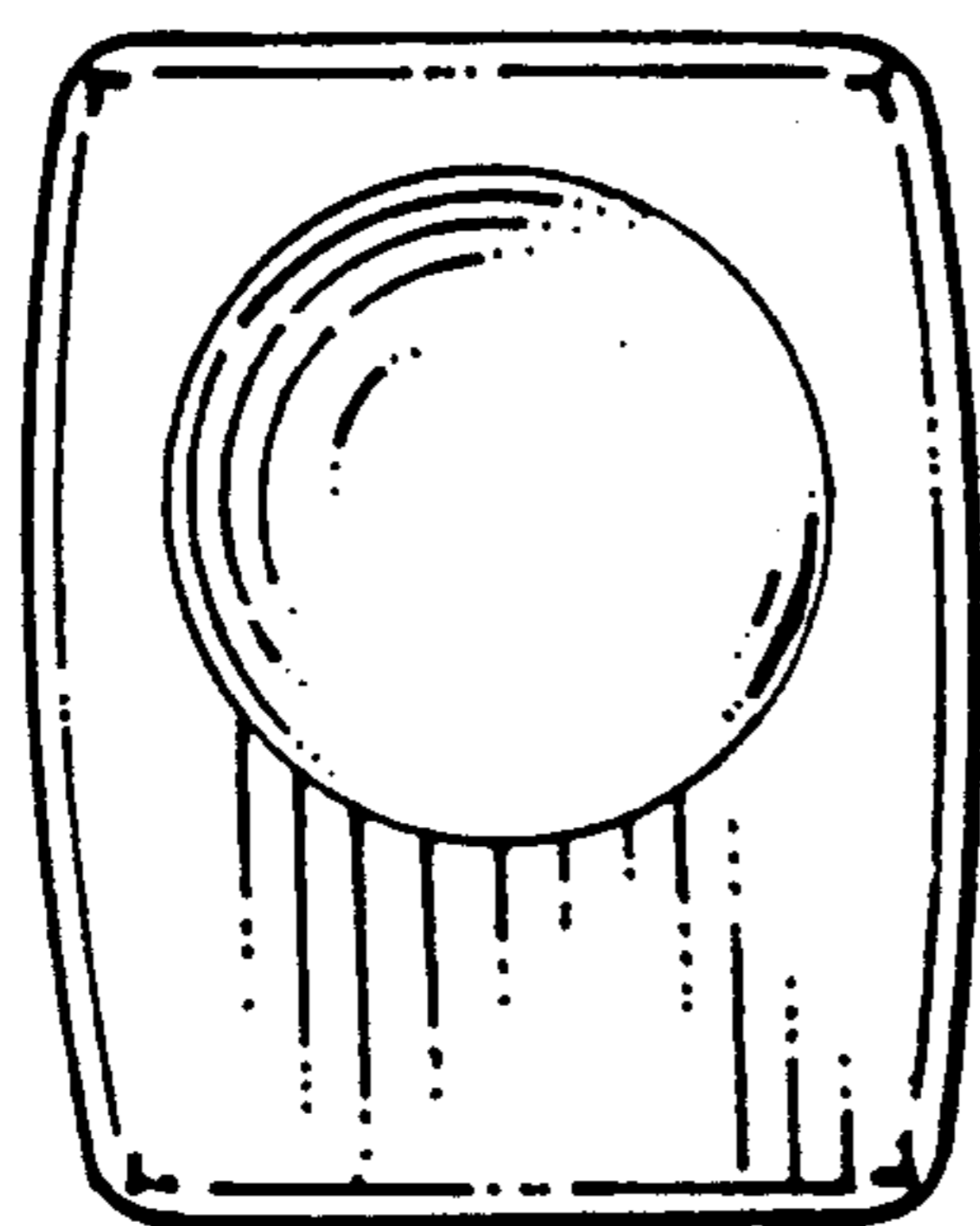
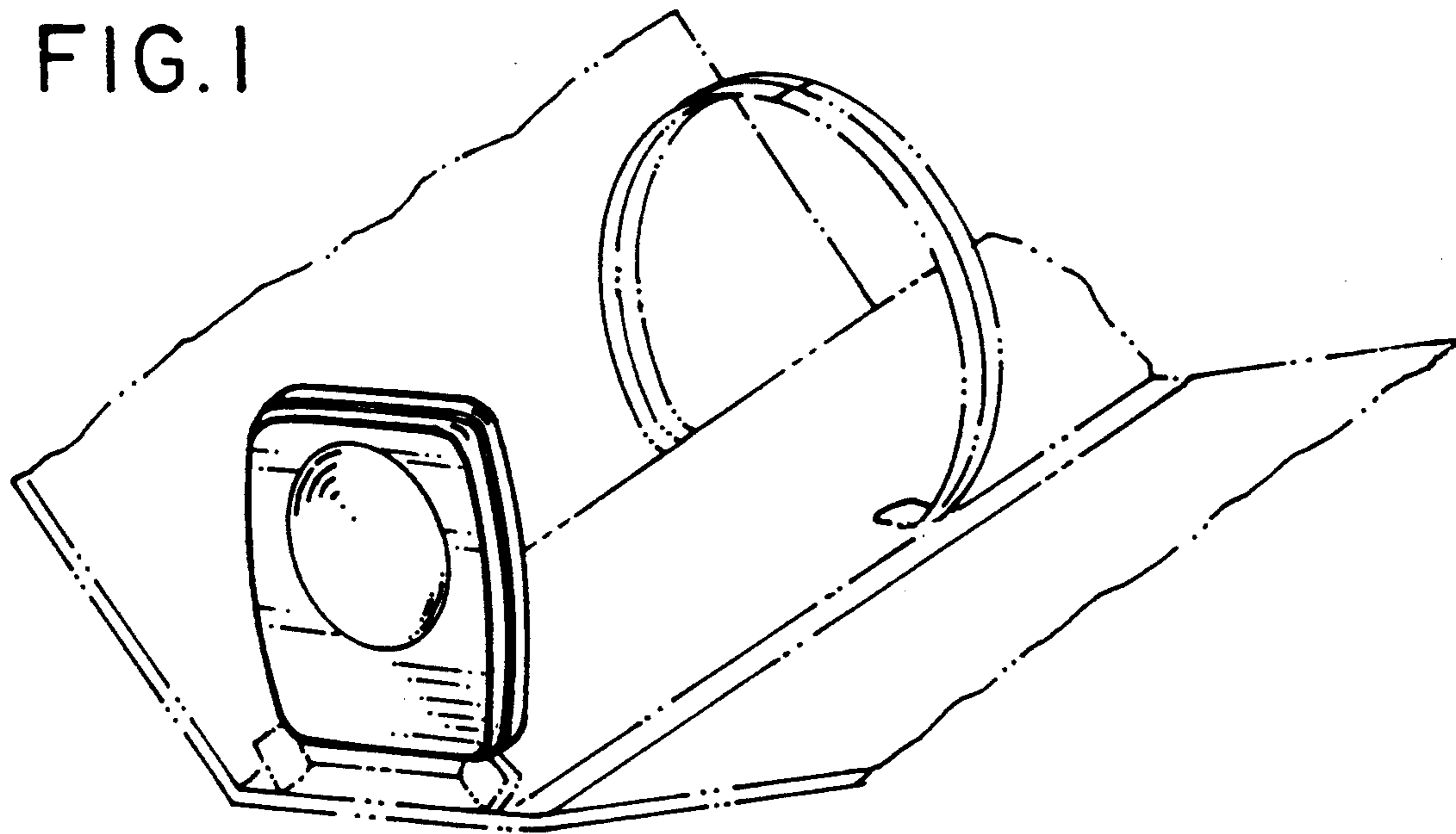


FIG. 2

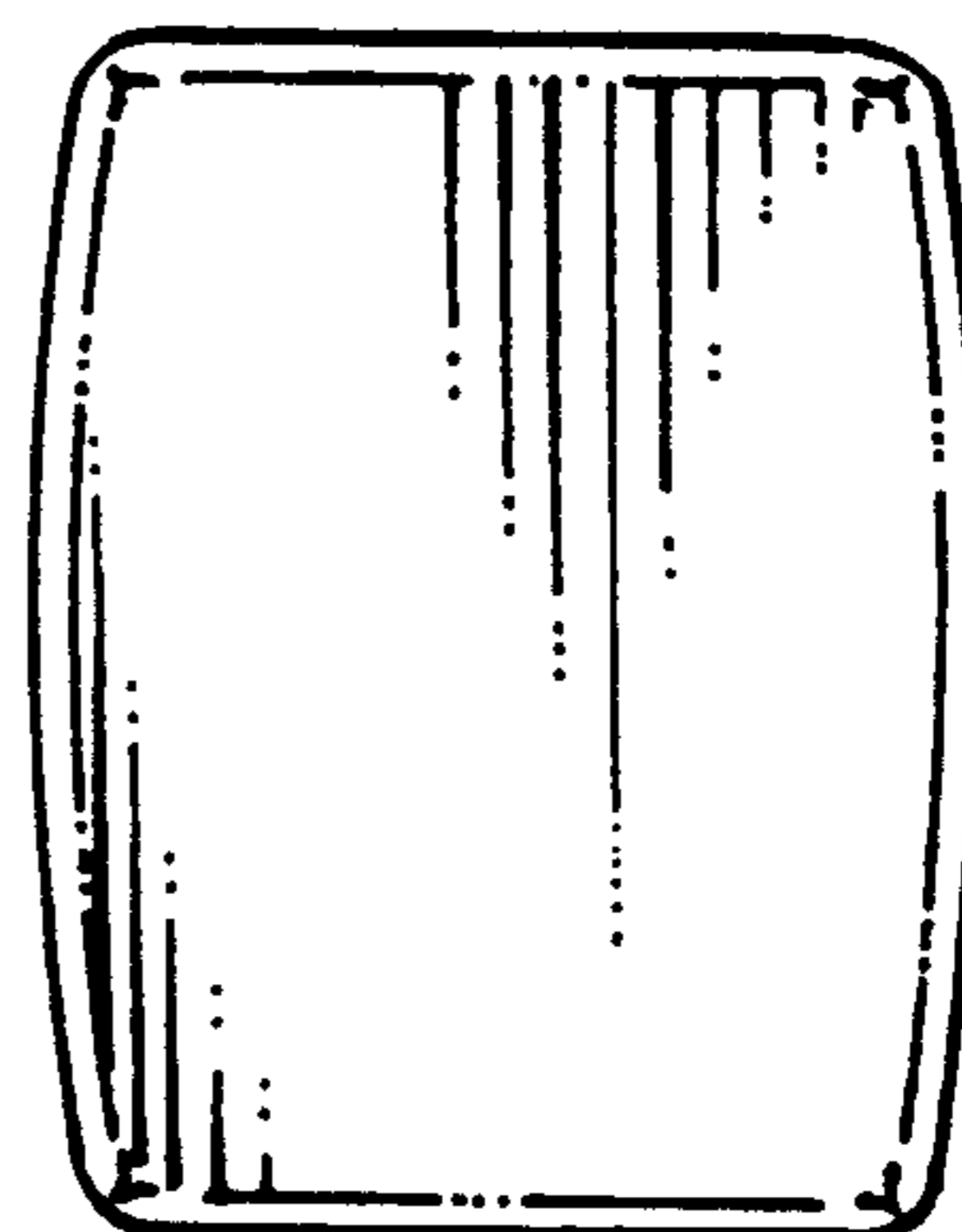


FIG. 3

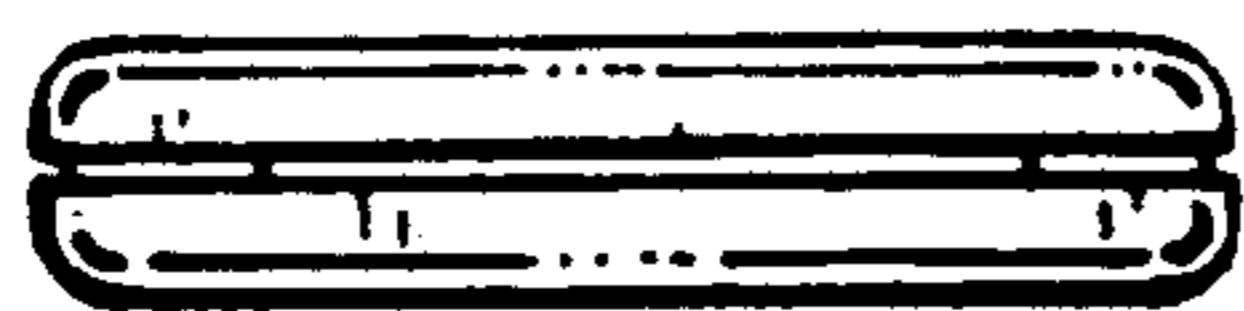


FIG. 6



FIG. 5



FIG. 4