



US00D343640S

# United States Patent [19]

[11] Patent Number: **Des. 343,640**

Thies

[45] Date of Patent: **\*\* Jan. 25, 1994**

[54] **MULTIPLE AIR BRUSH TOOL STATION**

3,928,711 12/1975 Jakobsen ..... 137/883 X  
4,894,988 1/1990 Hoppenjaus ..... 137/883 X

[76] Inventor: **John E. Thies, #2 Lynnebrooke Estates, Mohrsville, Pa. 18541**

*Primary Examiner*—Nelson C. Holtje  
*Assistant Examiner*—Martie Thompson

[\*\*] Term: **14 Years**

[57] **CLAIM**

[21] Appl. No.: **906,279**

The ornamental design for a multiple air brush tool station, as shown and described.

[22] Filed: **Jun. 26, 1992**

[52] U.S. Cl. .... **D19/36; D23/259**

**DESCRIPTION**

[58] Field of Search ..... 137/557, 561 A, 883;  
D19/35, 36, 65, 99, 100; D23/233, 259, 262

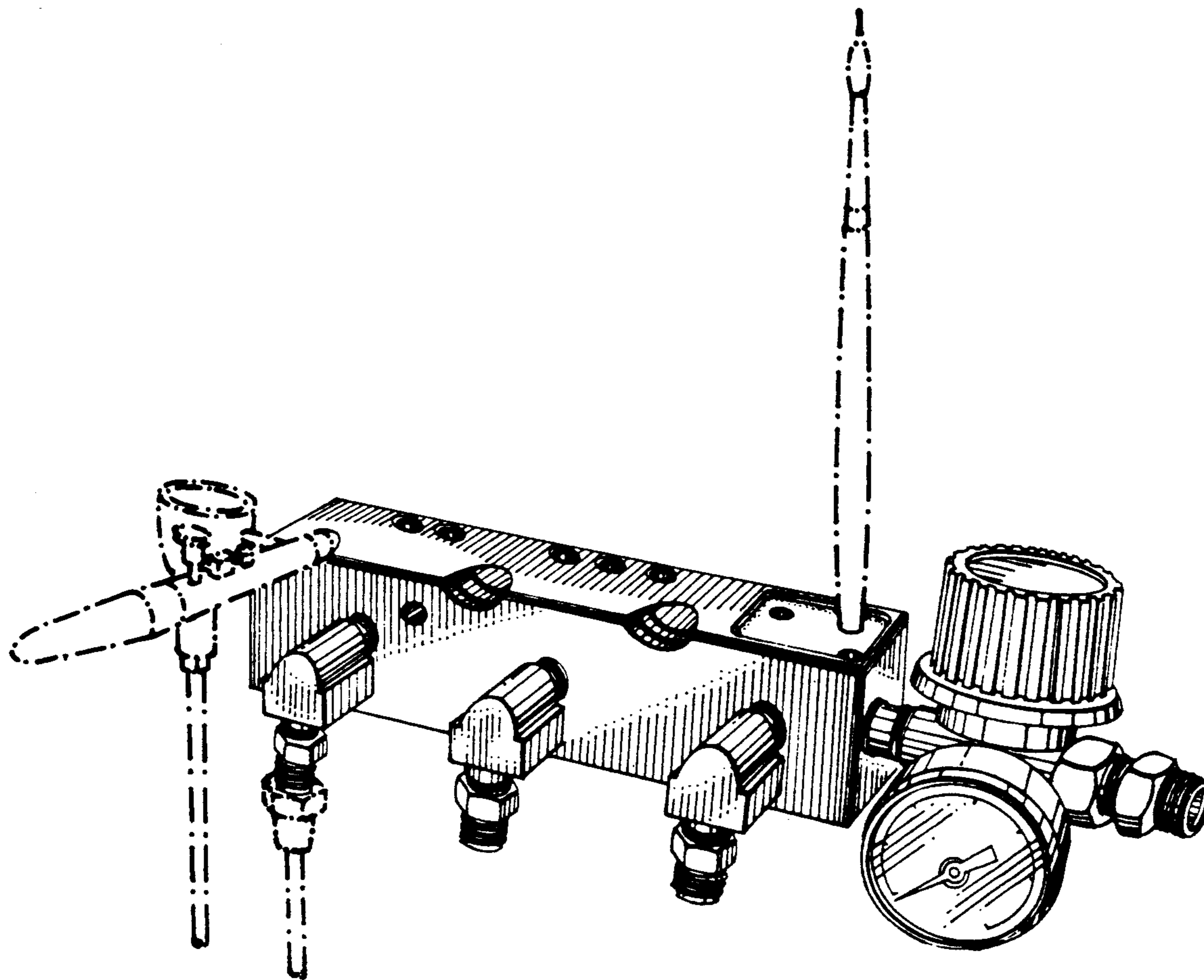
FIG. 1 is a perspective view of a multiple air brush tool station showing my new design;  
FIG. 2 is a top plan view thereof;  
FIG. 3 is a front plan view thereof;  
FIG. 4 is a bottom elevational view thereof;  
FIG. 5 is a rear elevational view thereof;  
FIG. 6 is a right side elevational view thereof; and,  
FIG. 7 is a left side elevational view thereof.

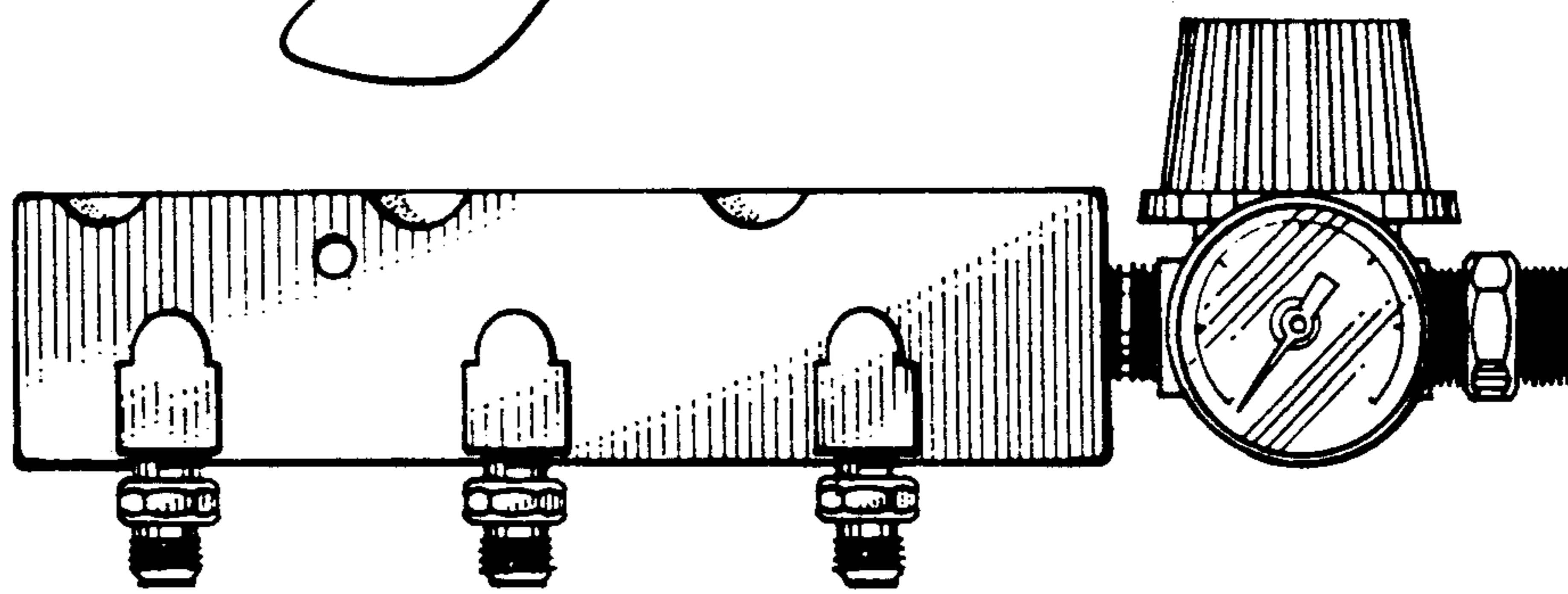
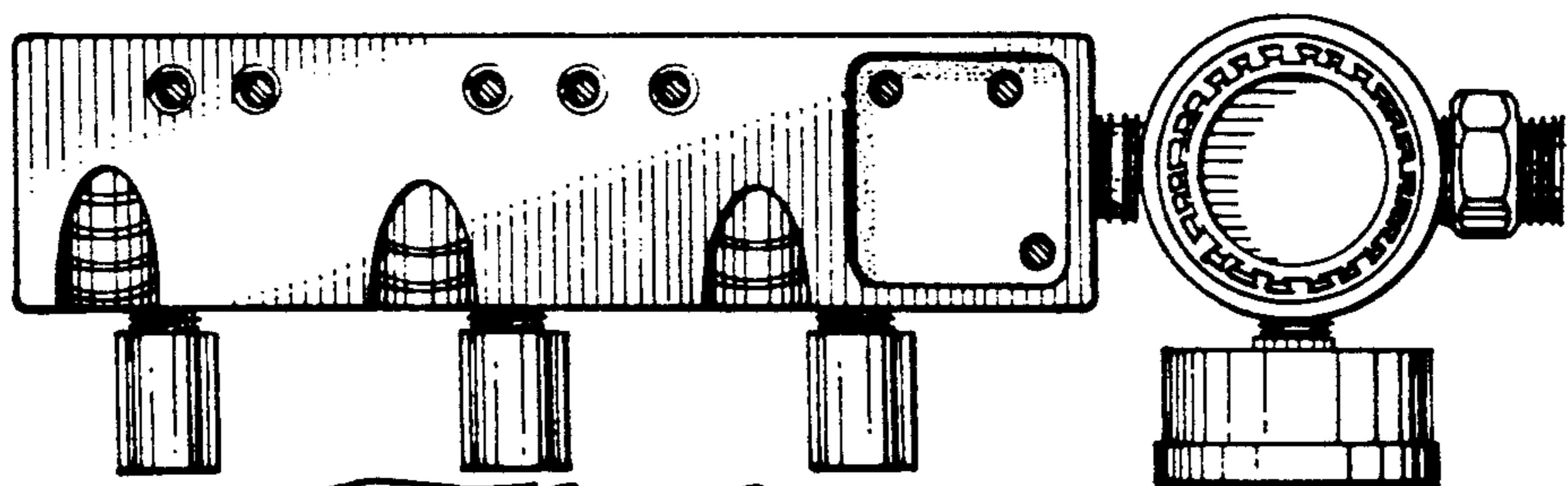
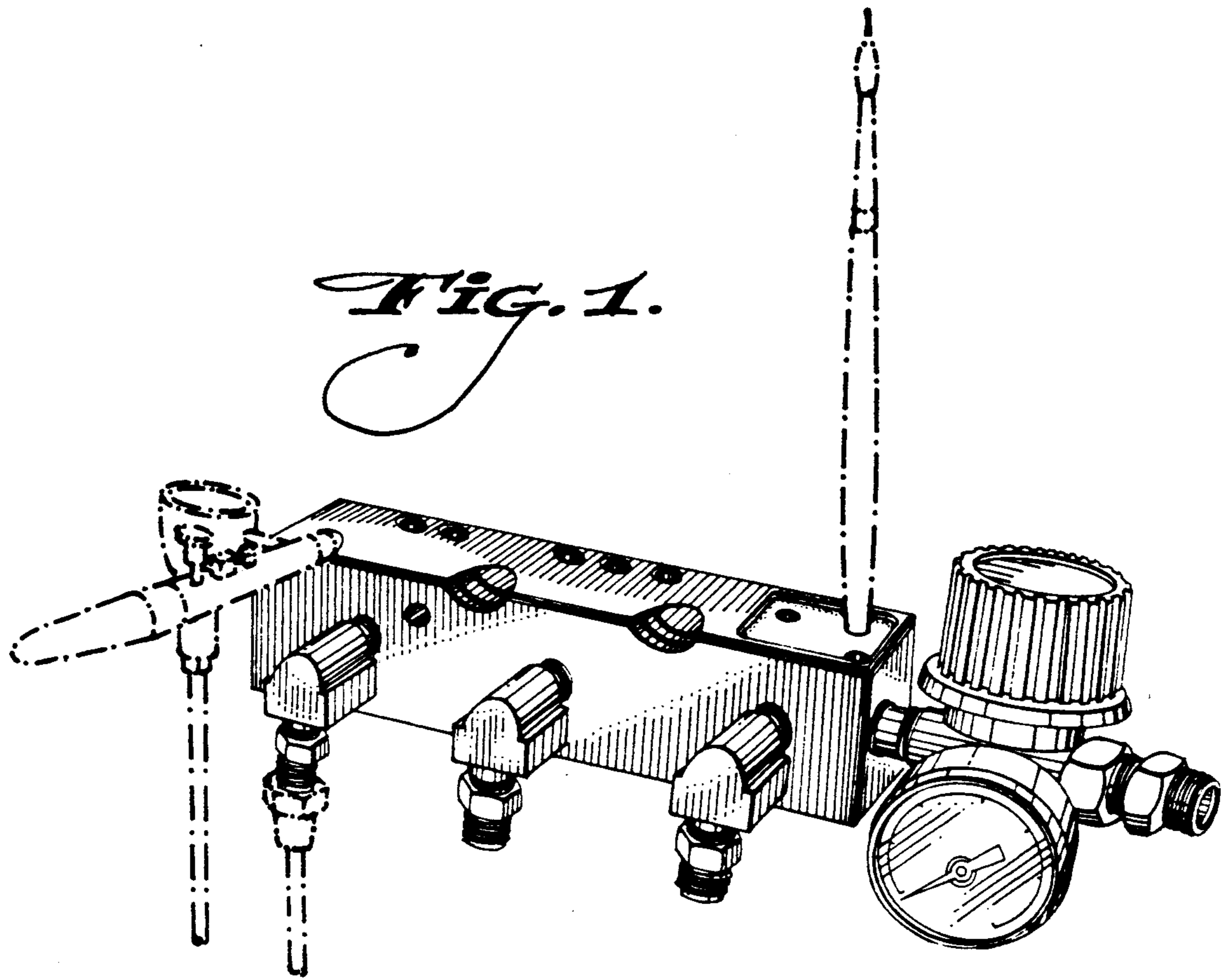
[56] **References Cited**

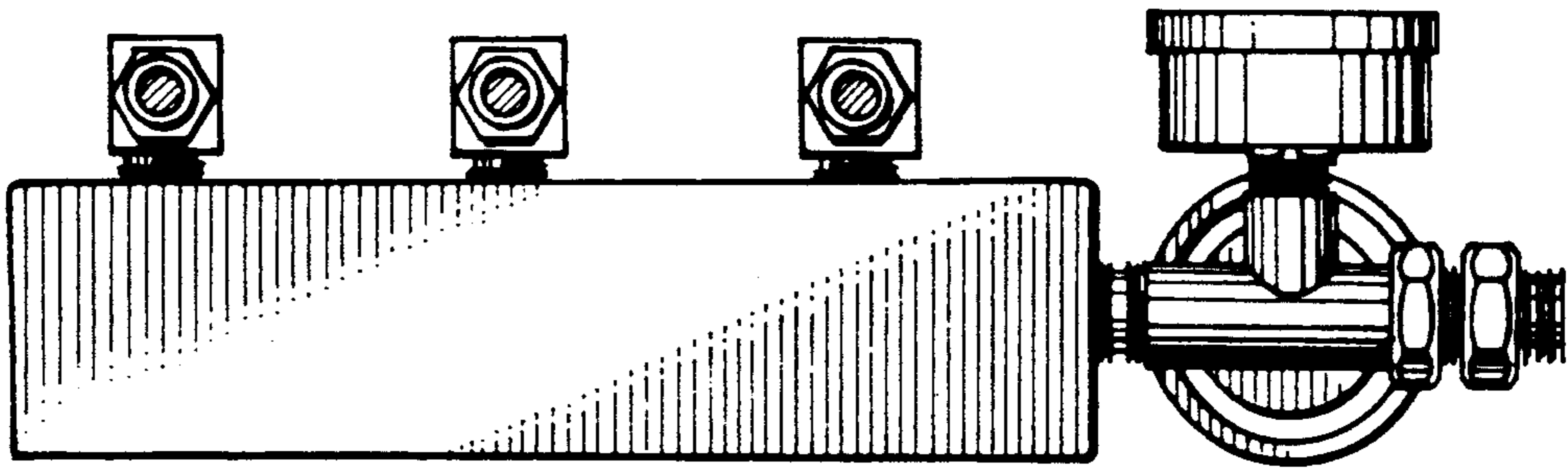
**U.S. PATENT DOCUMENTS**

D. 213,317	2/1969	Nelson	.....	D23/259
D. 241,756	10/1976	Gray	.....	D23/262 X
D. 259,934	7/1981	Lovfet	.....	D23/233 X
D. 275,125	8/1984	Bing, Jr. et al.	.....	D23/259
D. 315,971	4/1991	Molzam	.....	D23/259 X
3,566,917	3/1971	White	.....	137/883
3,693,653	9/1972	Cramer et al.	.....	137/557
3,760,842	9/1973	Mikiya	.....	137/557

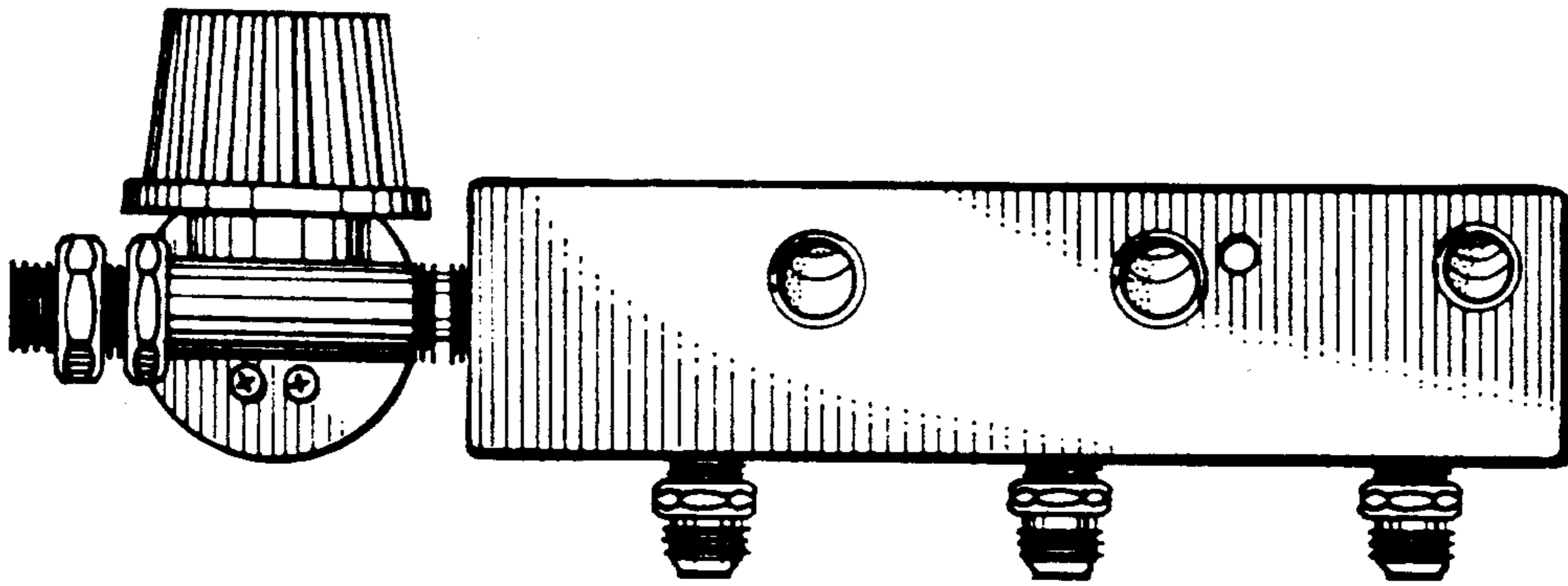
The paint brush, airbrush and hose coupling fragments depicted by means of broken lines in FIG. 1 have been shown for illustrative purposes only and form no part of the claimed design.



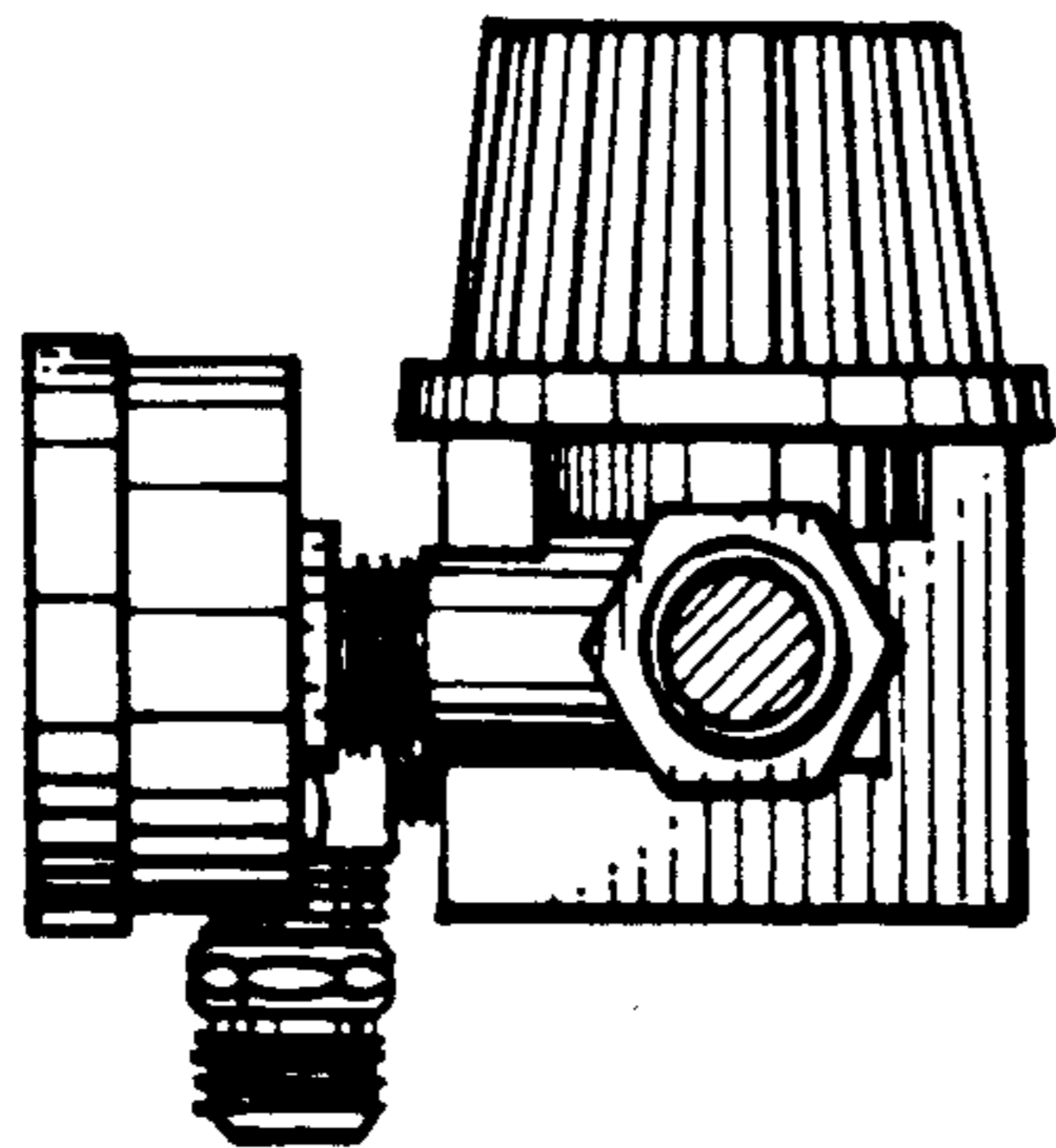




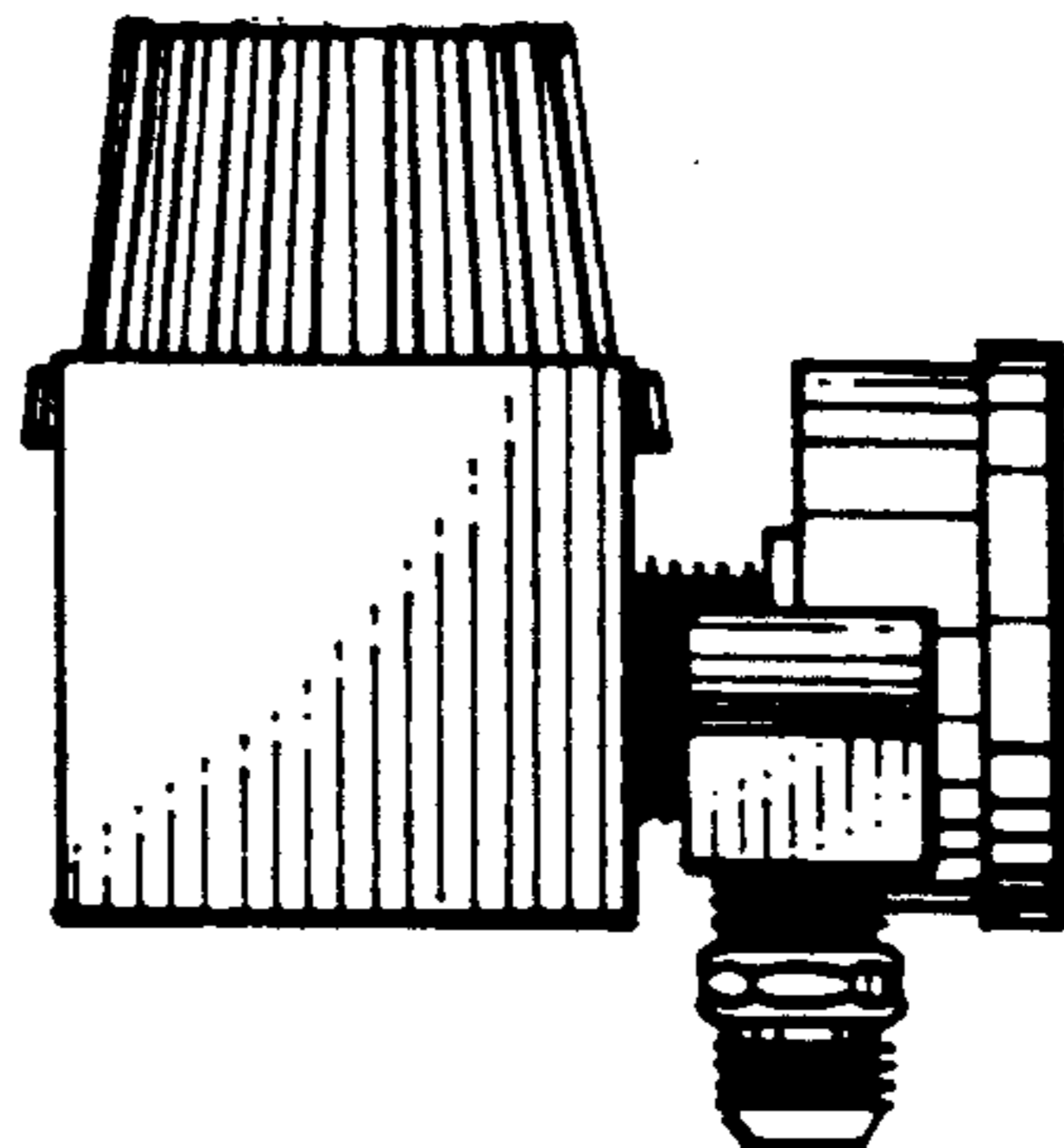
*Fig. 4.*



*Fig. 5.*



*Fig. 6.*



*Fig. 7.*