



US00D343639S

United States Patent [19]

[11] Patent Number: Des. 343,639

Mazzanti

[45] Date of Patent: ** Jan. 25, 1994

[54] WALLCOVERING DISPLAY BOOK

3,480,138	11/1969	Baker	206/461
4,090,374	5/1978	Faust et al.	206/451 X
4,523,399	6/1985	Cross	40/107 X

[75] Inventor: Gene Mazzanti, Los Angeles, Calif.

[73] Assignee: Borden, Inc., Columbus, Ohio

[**] Term: 14 Years

Primary Examiner—Wallace R. Burke
Assistant Examiner—Pamela Burgess
Attorney, Agent, or Firm—Dennis H. Rainear; Kenneth P. Van Wyck

[21] Appl. No.: 911,955

[57] CLAIM

[22] Filed: Jul. 10, 1992

The ornamental design for a wallcovering display book, as shown and described.

[52] U.S. Cl. D19/26

[58] Field of Search D3/35; 40/107; 281/33, 281/29, 15.1, 21.1, 35, 45; 206/457, 451, 510, 521.6, 450; 402/75, 76, 56; D19/26, 27, 28, 29, 32, 33; D20/42, 43

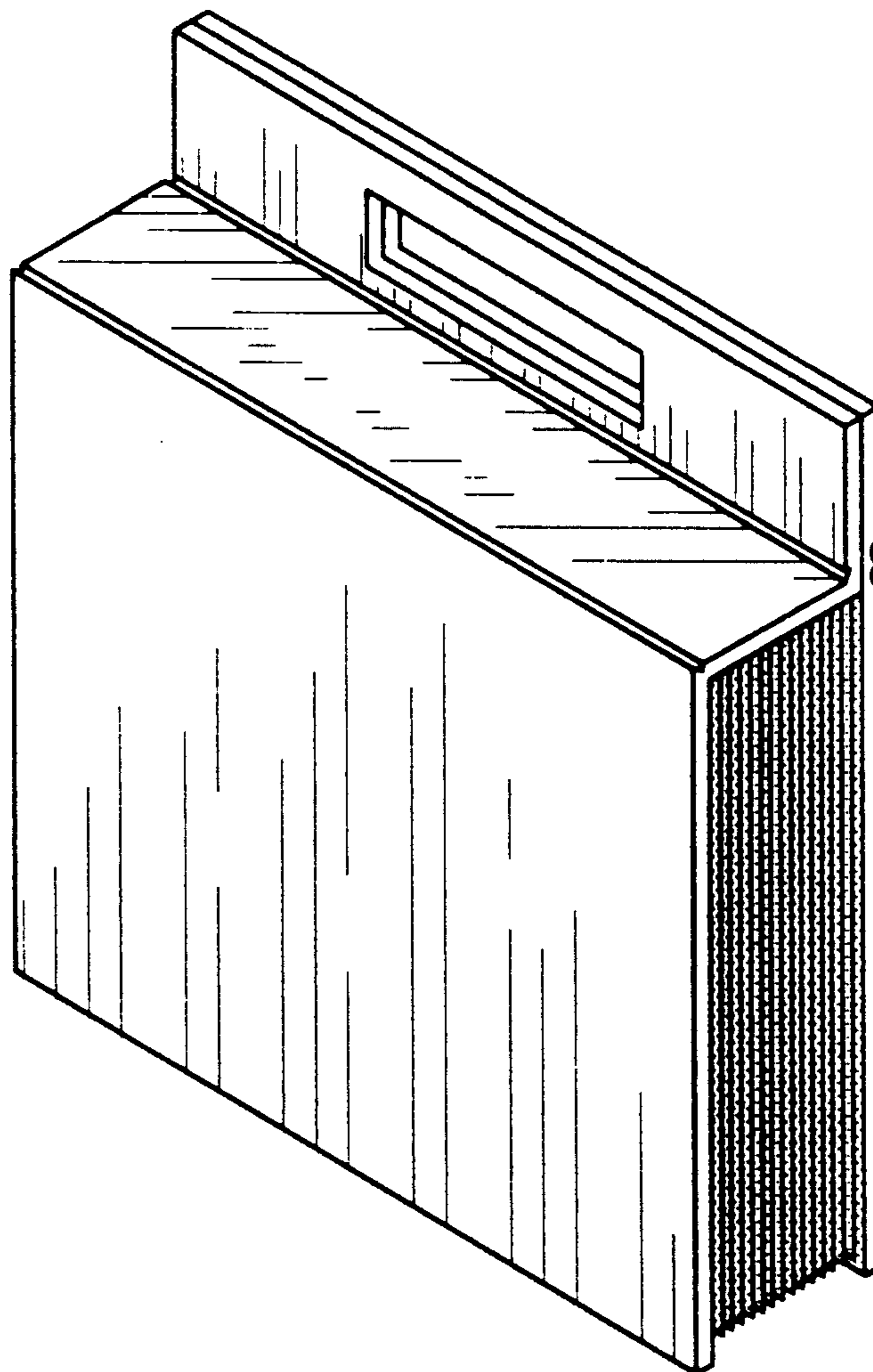
DESCRIPTION

FIG. 1 is a perspective view of a wallcovering display book showing my new design;
 FIG. 2 is a front view thereof;
 FIG. 3 is a side view thereof, the undisclosed side being the same;
 FIG. 4 is a rear view thereof;
 FIG. 5 is a top view thereof; and,
 FIG. 6 is a bottom view thereof.

[56] References Cited

U.S. PATENT DOCUMENTS

D. 329,872	9/1992	Carlson et al.	D19/26
2,422,235	6/1947	Greene	D19/26 X
3,026,016	3/1962	Scher	206/461 V



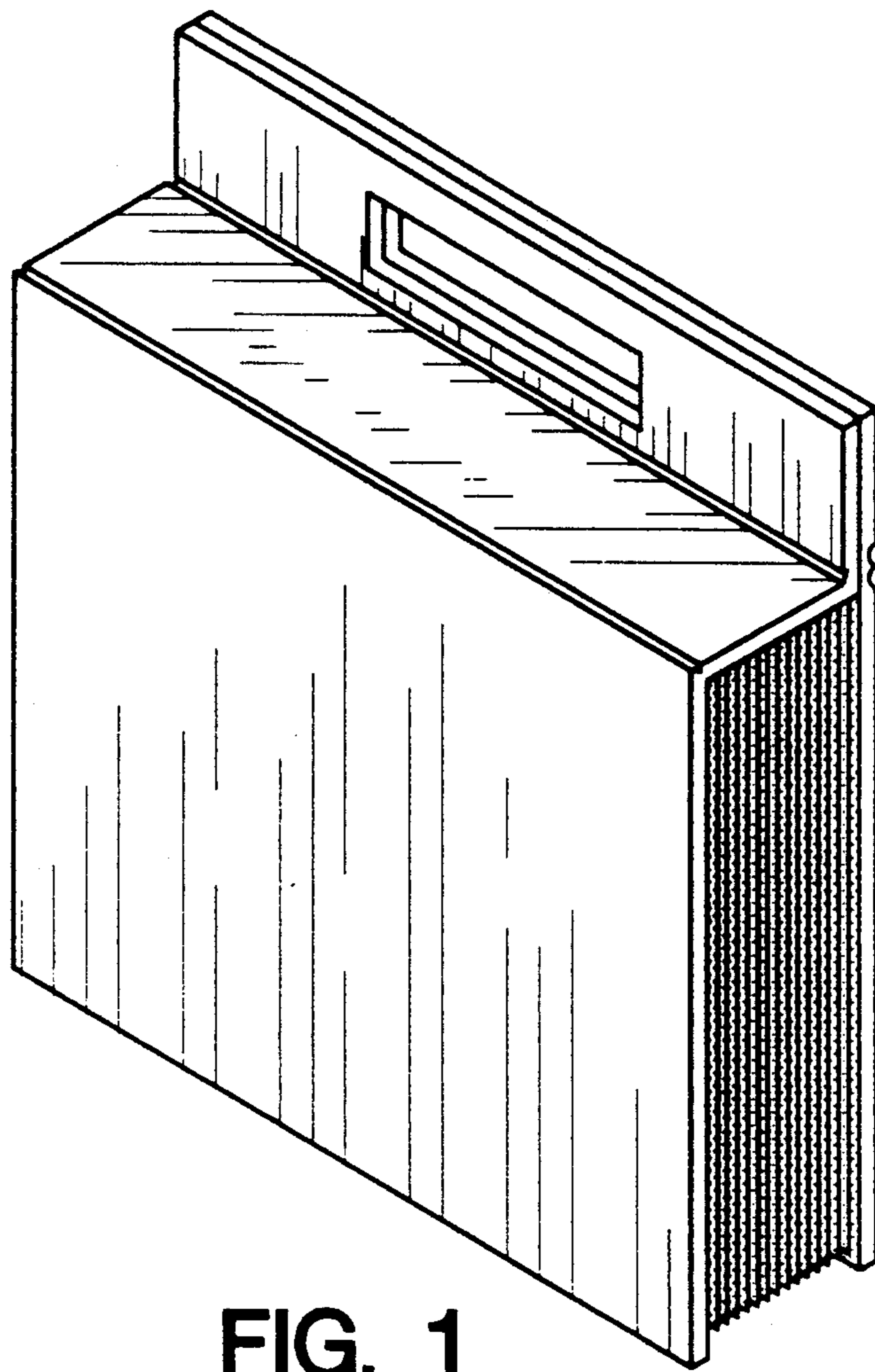


FIG. 1

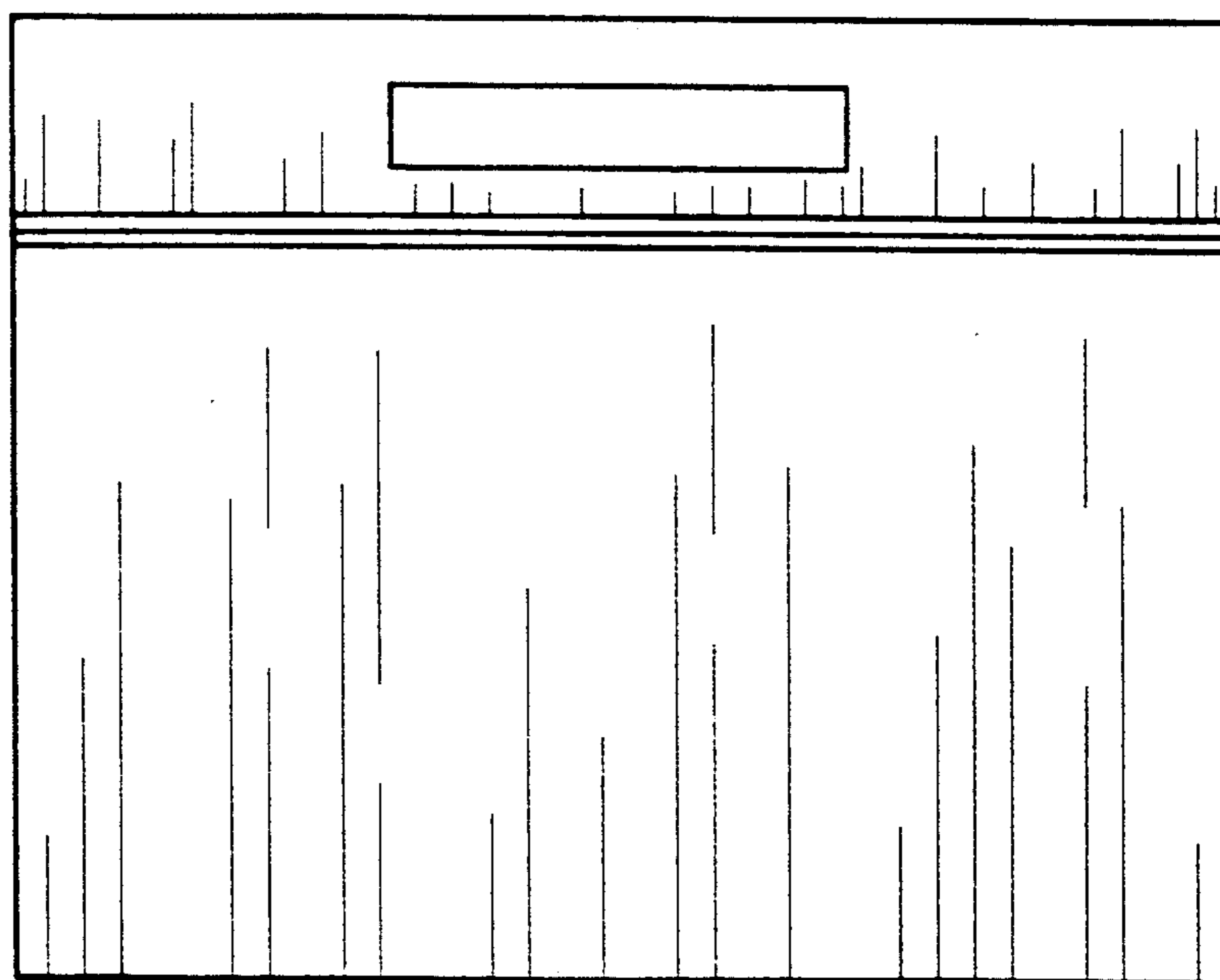


FIG. 2

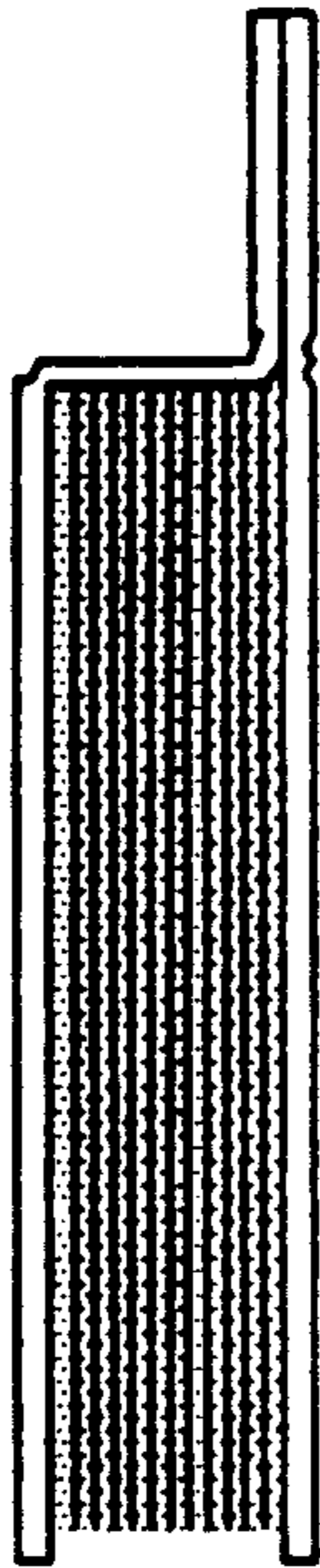


FIG. 3

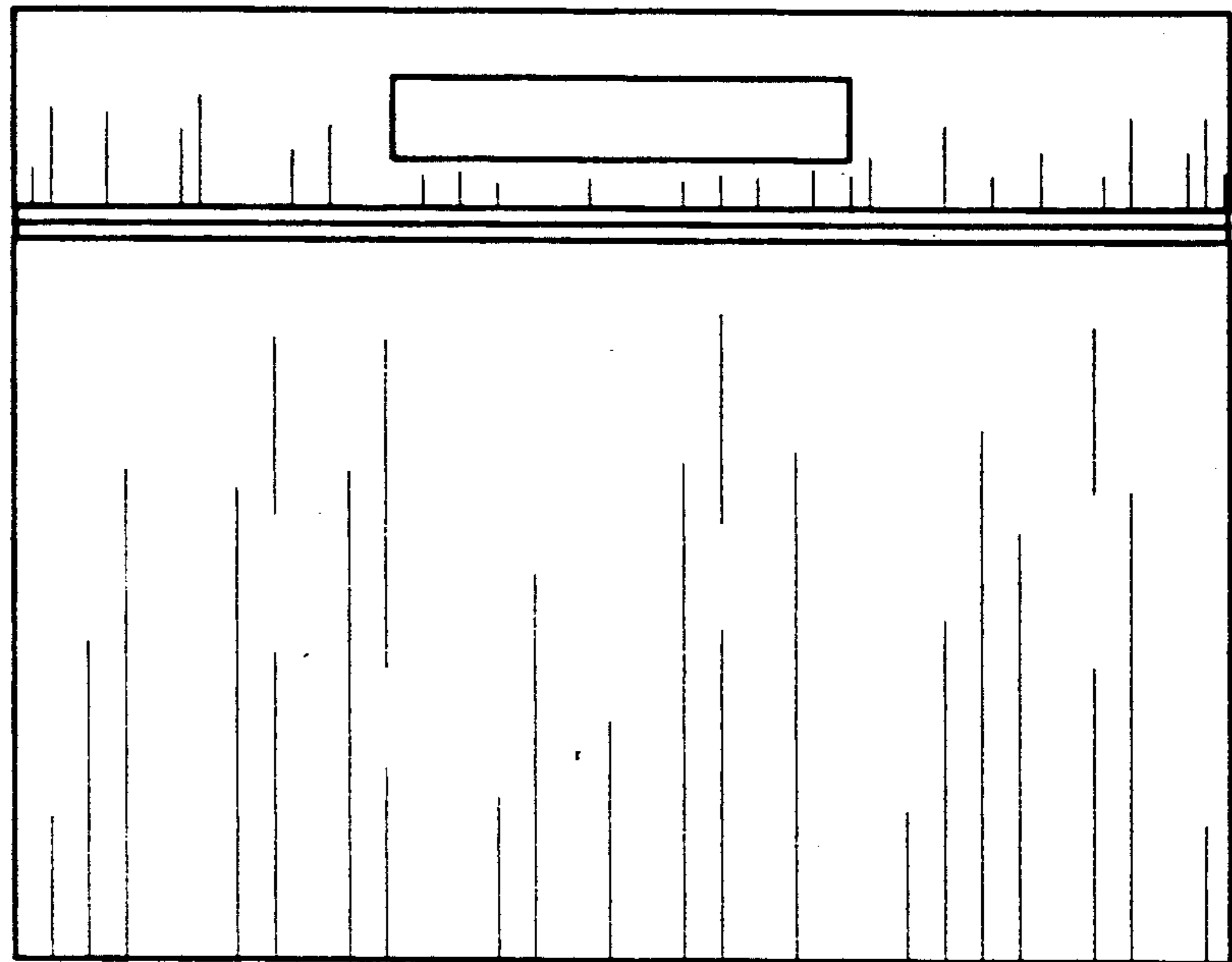


FIG. 4

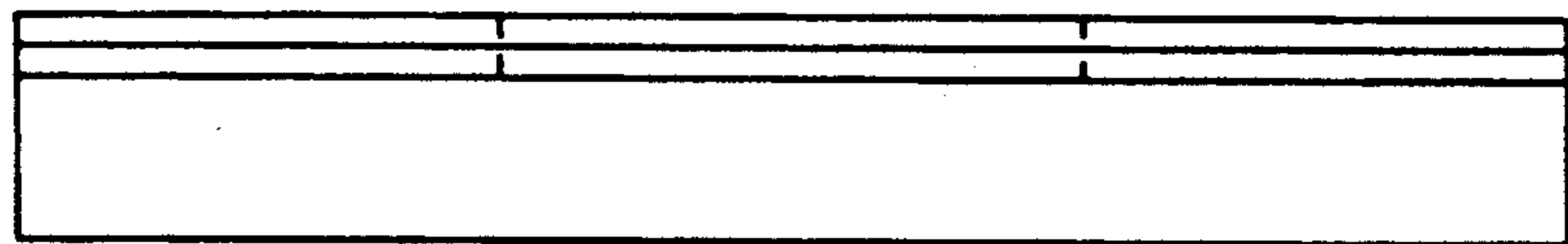


FIG. 5

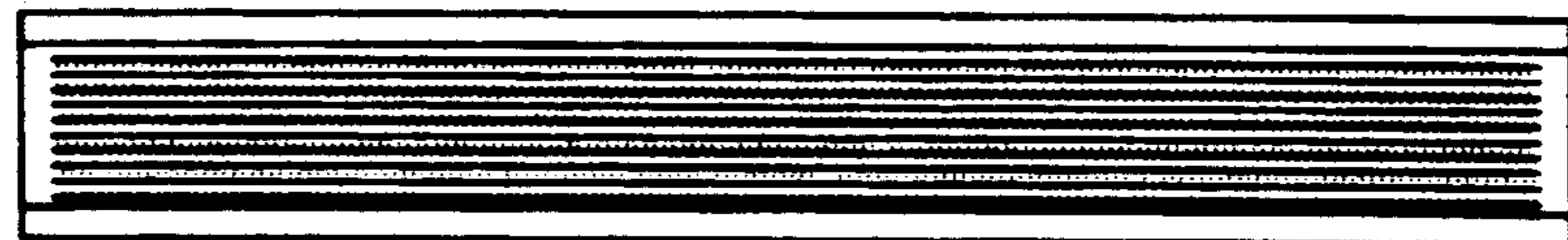


FIG. 6