



US00D343638S

United States Patent [19]

[11] Patent Number: **Des. 343,638**

Kovner

[45] Date of Patent: **** Jan. 25, 1994**

[54] **BUSINESS CARD HOLDER**

[76] Inventor: **Spencer R. Kovner, 317 N. Soto St., #6, Los Angeles, Calif. 90033**

[**] Term: **14 Years**

[21] Appl. No.: **652,278**

[22] Filed: **Feb. 7, 1991**

[52] U.S. Cl. **D19/1**

[58] Field of Search **40/641, 642, 122, 124.1, 40/3; 283/35, 36, 37, 38, 39, 40, 41, 42, 43; D19/1, 2, 3, 4**

990,211 4/1911 Richardson 40/119
4,048,737 9/1977 McDermott D19/10
5,143,279 9/1992 Gaines 229/68 R

Primary Examiner—Wallace R. Burke
Assistant Examiner—Marcus Jackson

[57] **CLAIM**

The ornamental design for a business card holder, as shown and described.

DESCRIPTION

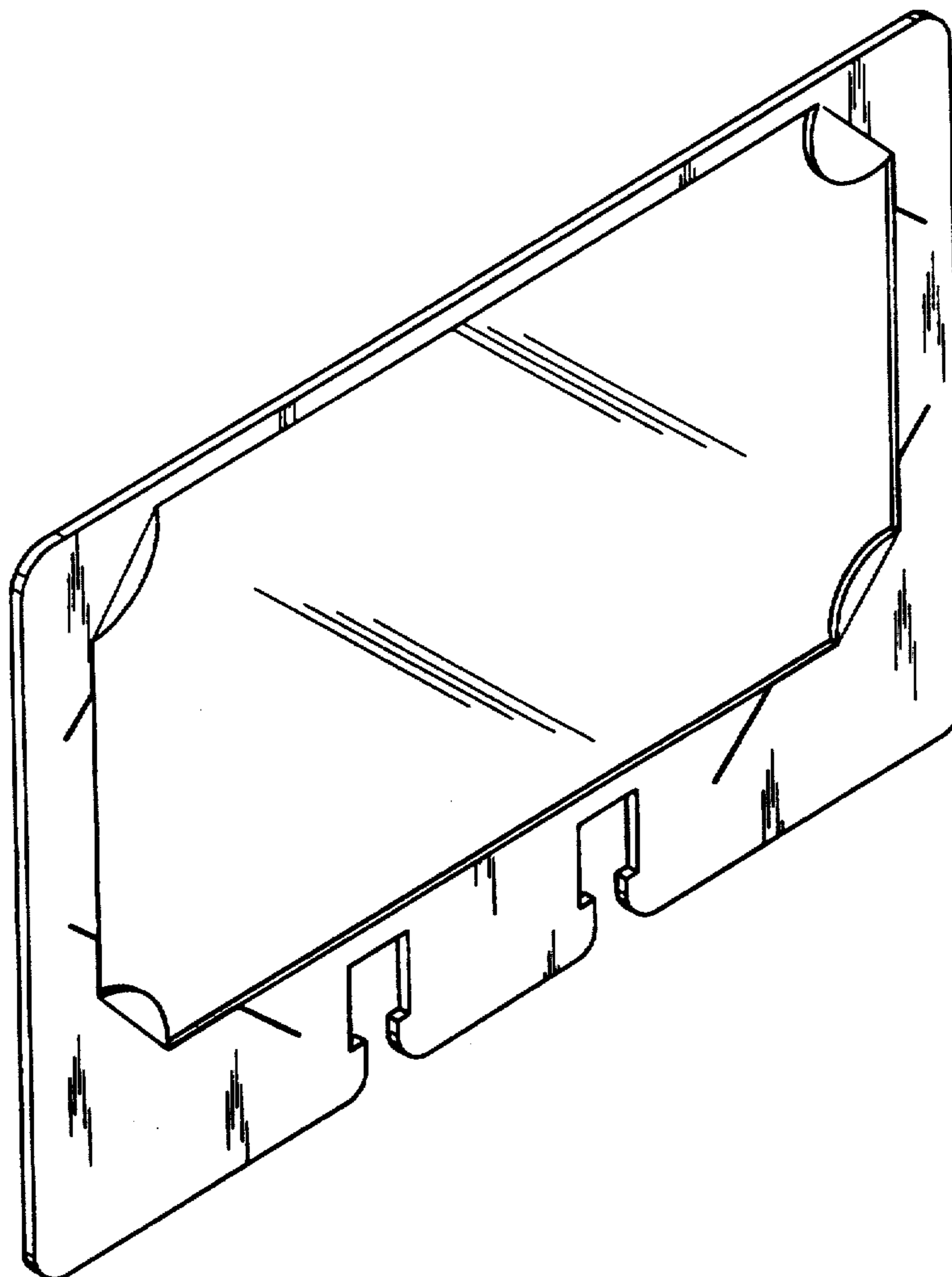
FIG. 1 is a perspective view of a business card holder showing my design;
FIG. 2 is a front elevational view thereof;
FIG. 3 is a right side elevational view thereof, with the opposite side being a mirror image;
FIG. 4 is a top plan view thereof;
FIG. 5 is a bottom plan view thereof; and,
FIG. 6 is a rear elevational view thereof.

[56]

References Cited

U.S. PATENT DOCUMENTS

- D. 258,897 4/1981 Glaubinger D19/1
- D. 285,938 9/1986 Ventres D19/1
- D. 305,614 1/1990 Gotlib D19/1
- D. 310,098 8/1990 Ristuccia, Sr. D19/1



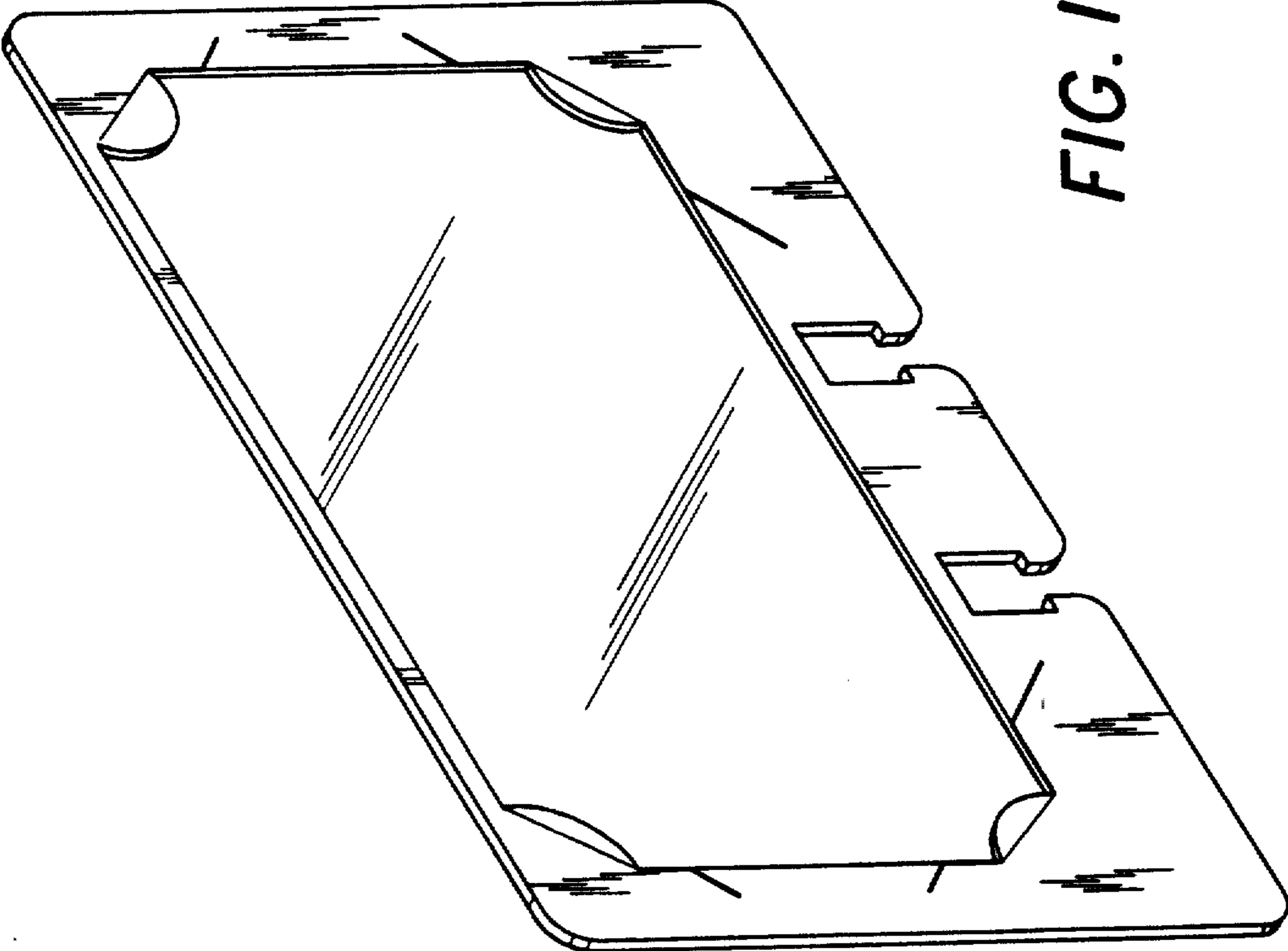
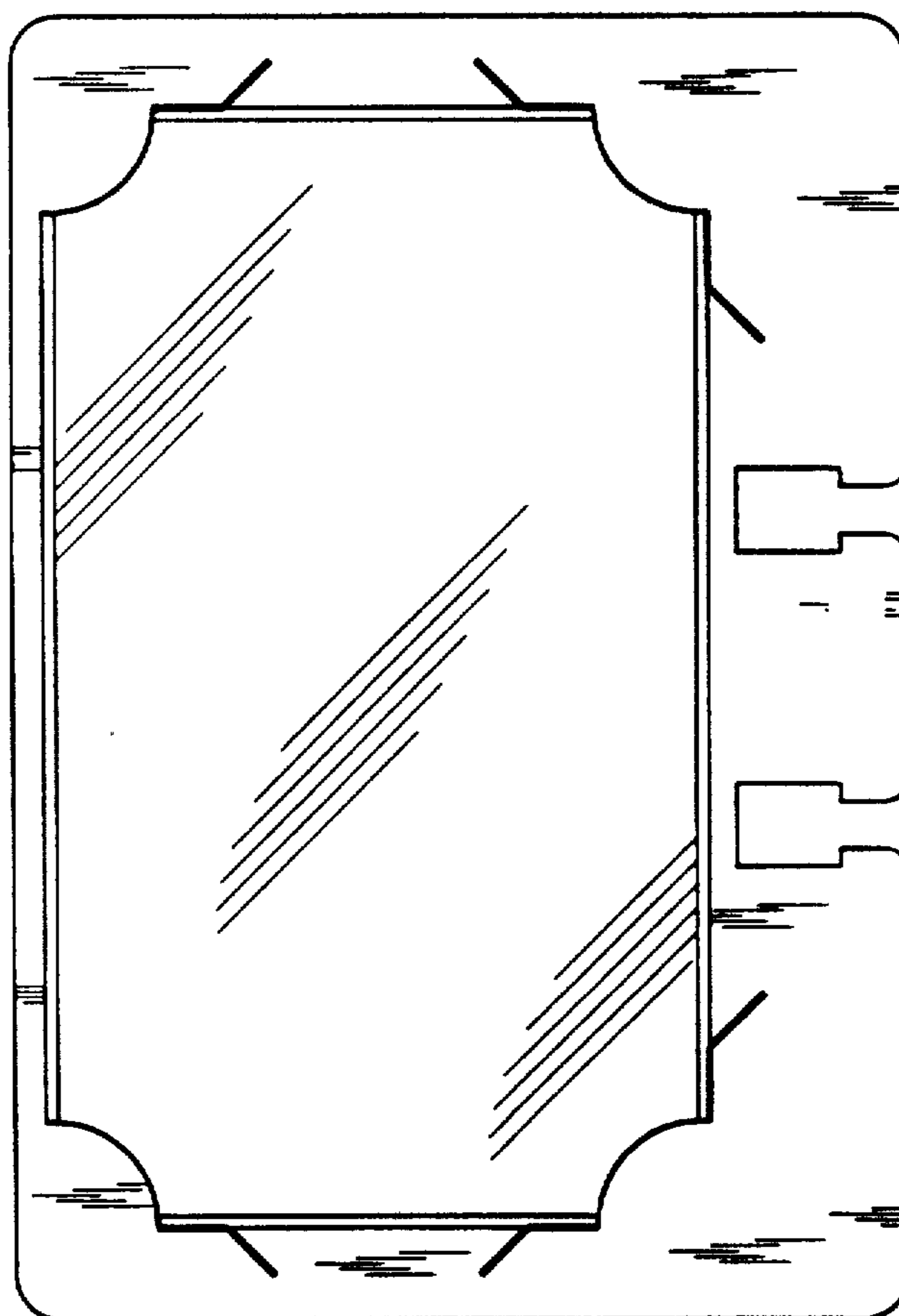


FIG. 1

FIG. 3



FIG. 2



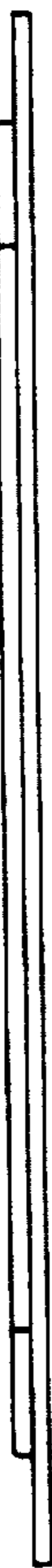


FIG. 4



FIG. 5

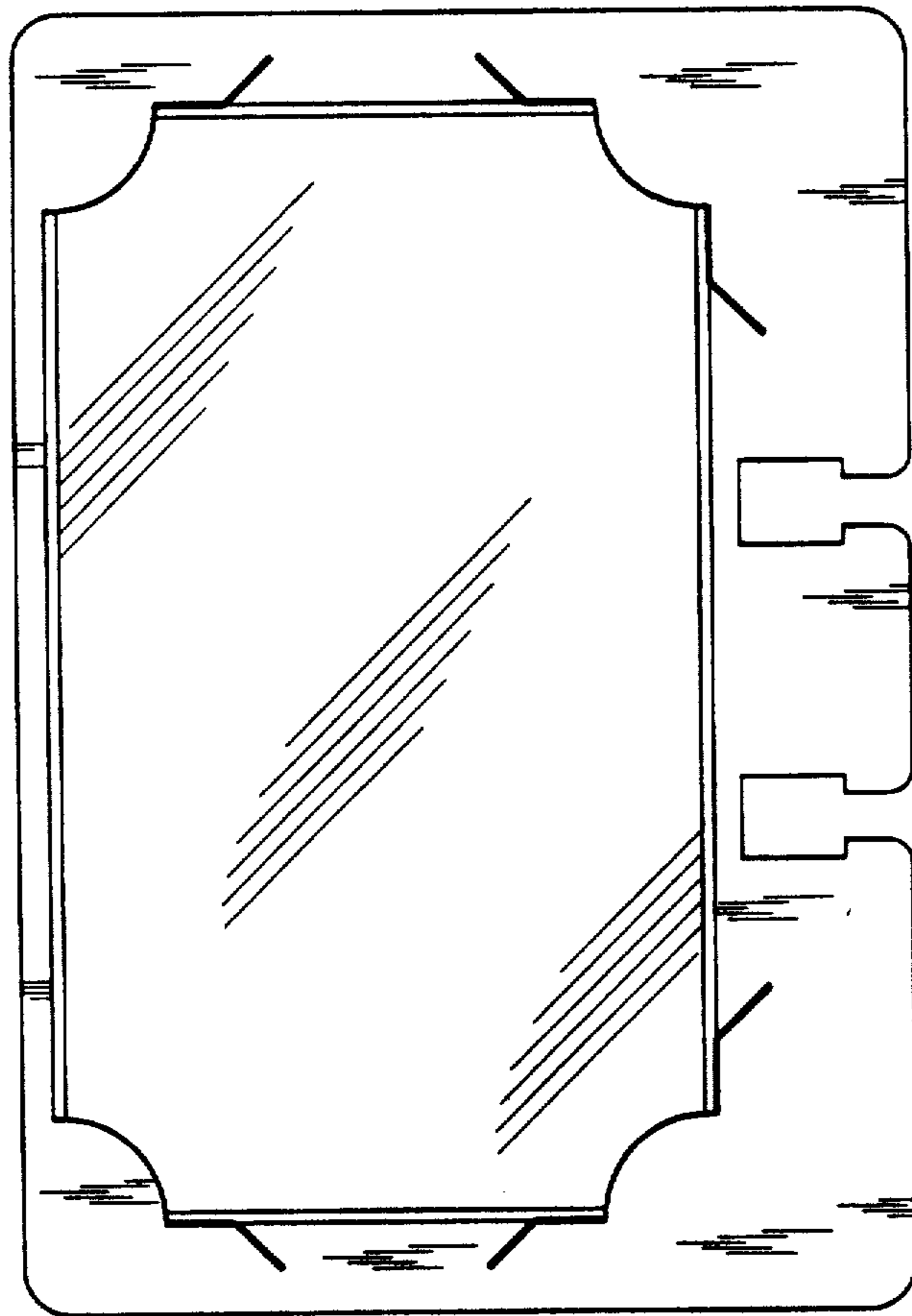


FIG. 6

UNITED STATES PATENT AND TRADEMARK OFFICE
CERTIFICATE OF CORRECTION

PATENT NO. : Des.343,638
DATED : January 25, 1994
INVENTOR(S) : Spencer R. Kovner

Page 1 of 6

It is certified that error appears in the above-identified patent and that said Letters Patent is hereby corrected as shown below:

The title page should be deleted to appear as per attached title page.
title page.

Figures 1-6 should be deleted to be replaced with figures 1-6
as shown on the attached sheets.

Signed and Sealed this
Second Day of August, 1994

Attest:



BRUCE LEHMAN

Attesting Officer

Commissioner of Patents and Trademarks



US00D343638S

United States Patent [19]
Kovner

[11] **Patent Number: Des. 343,638**
[45] **Date of Patent: ** Jan. 25, 1994**

- [54] **BUSINESS CARD HOLDER**
- [76] **Inventor: Spencer R. Kovner, 317 N. Soto St., #6, Los Angeles, Calif. 90033**
- [**] **Term: 14 Years**
- [21] **Appl. No.: 652,278**
- [22] **Filed: Feb. 7, 1991**
- [52] **U.S. Cl. D19/1**
- [58] **Field of Search 40/641, 642, 122, 124.1, 40/3; 283/35, 36, 37, 38, 39, 40, 41, 42, 43; D19/1, 2, 3, 4**

990,211 4/1911 Richardson 40/119
4,048,737 9/1977 McDermott D19/10
5,143,279 9/1992 Gaines 229/68 R

Primary Examiner—Wallace R. Burke
Assistant Examiner—Marcus Jackson

[57] **CLAIM**

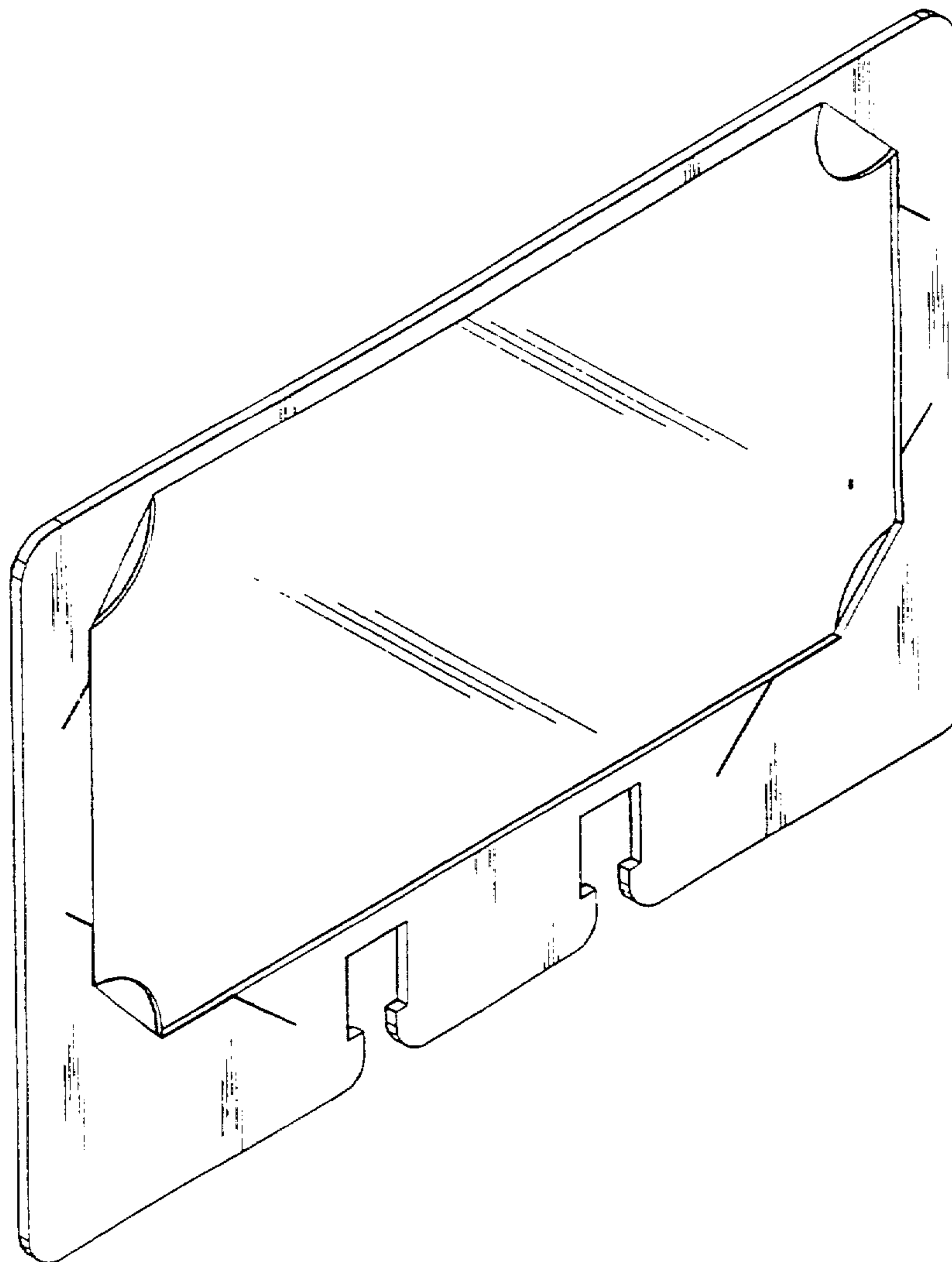
The ornamental design for a business card holder, as shown and described.

DESCRIPTION

FIG. 1 is a perspective view of a business card holder showing my design;
FIG. 2 is a front elevational view thereof;
FIG. 3 is a right side elevational view thereof, with the opposite side being a mirror image;
FIG. 4 is a top plan view thereof;
FIG. 5 is a bottom plan view thereof; and,
FIG. 6 is a rear elevational view thereof.

[56] **References Cited**
U.S. PATENT DOCUMENTS

- D. 258,897 4/1981 Glaubinger D19/1
- D. 285,938 9/1986 Ventres D19/1
- D. 305,614 1/1990 Gotlib D19/1
- D. 310,098 8/1990 Ristuccia, Sr. D19/1



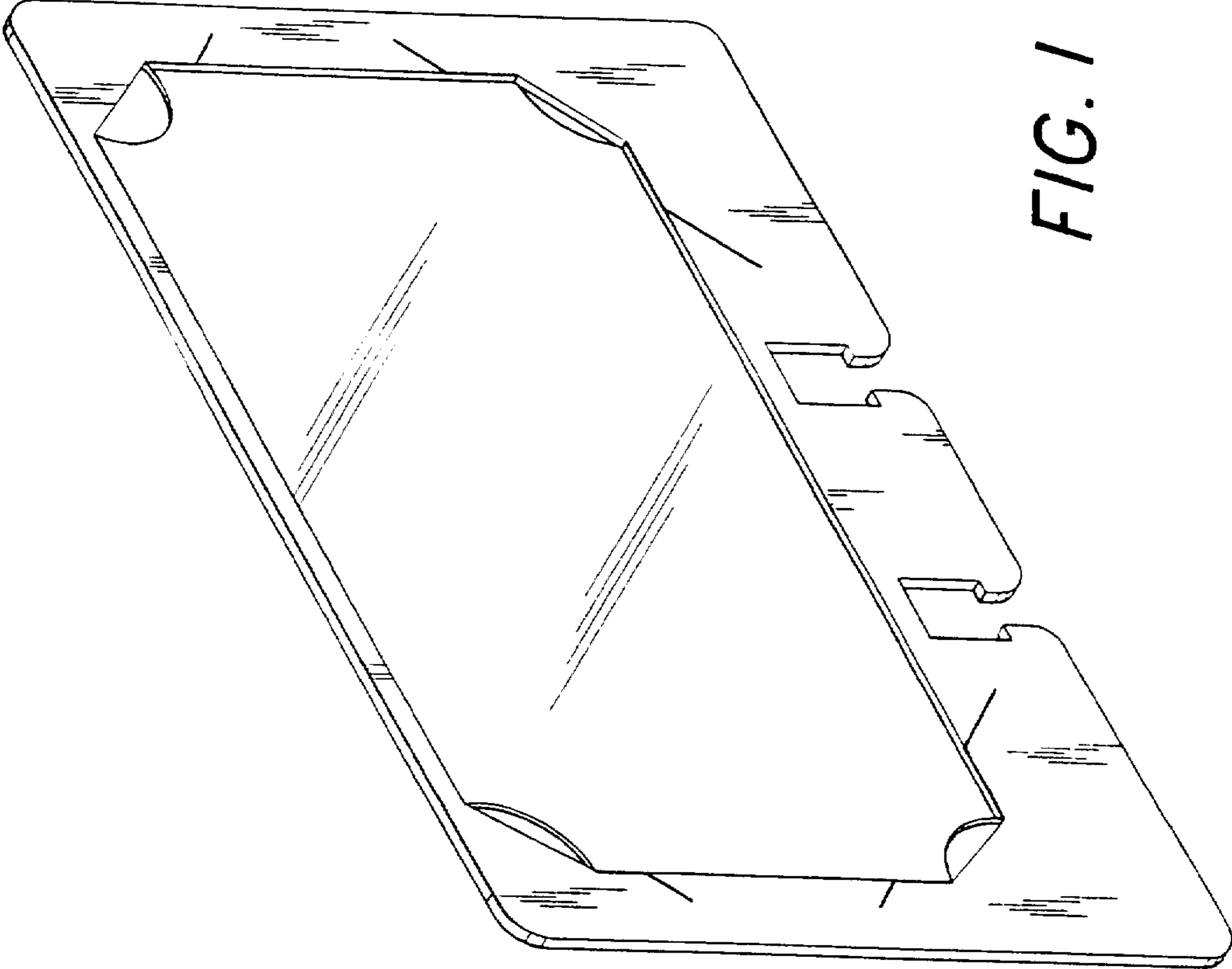


FIG. 1

FIG. 3

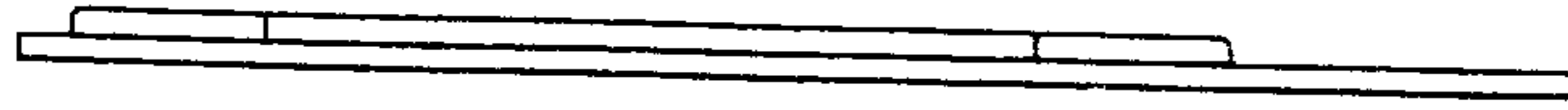


FIG. 2

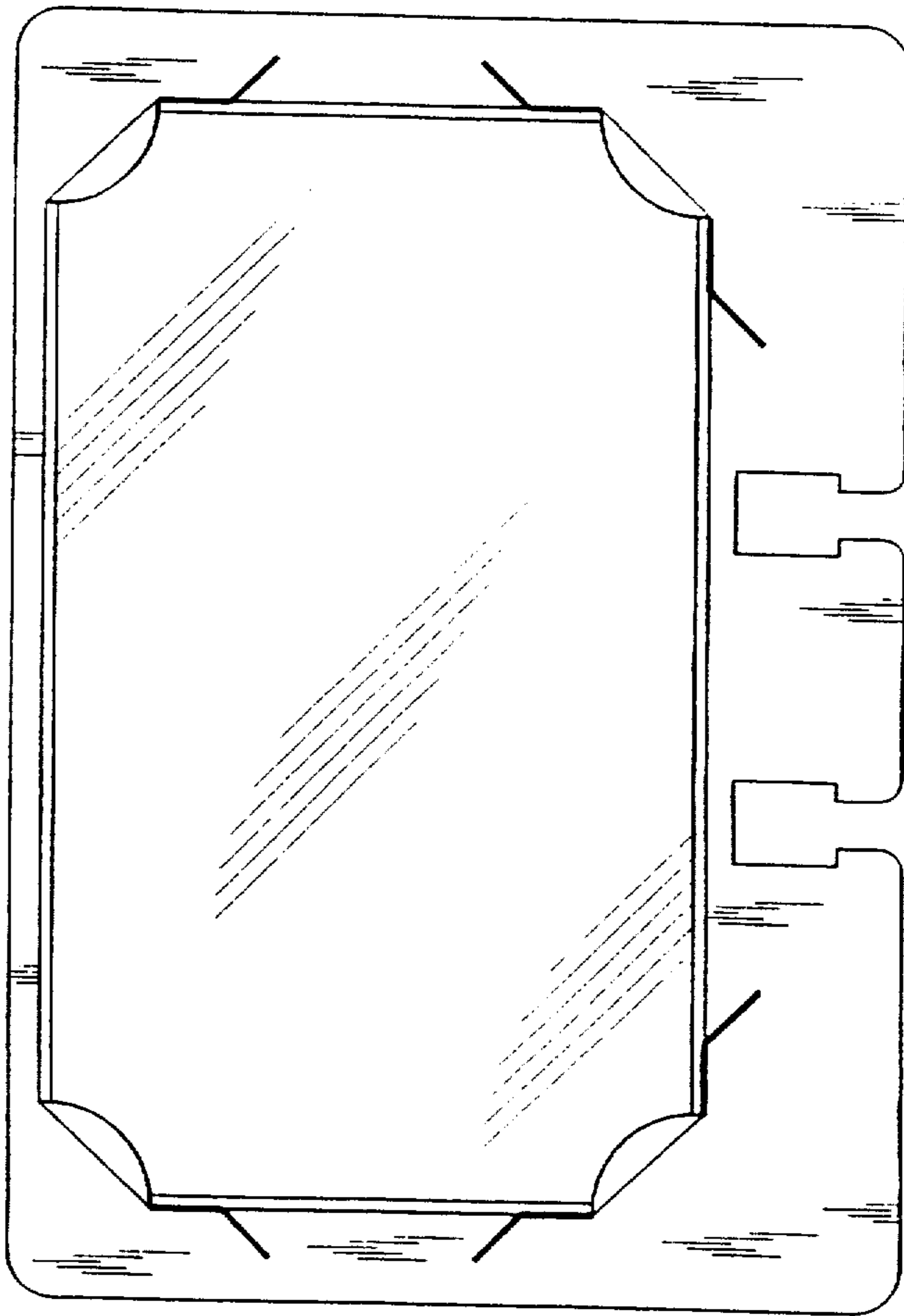




FIG. 4

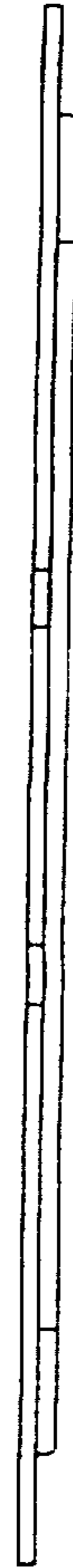


FIG. 5

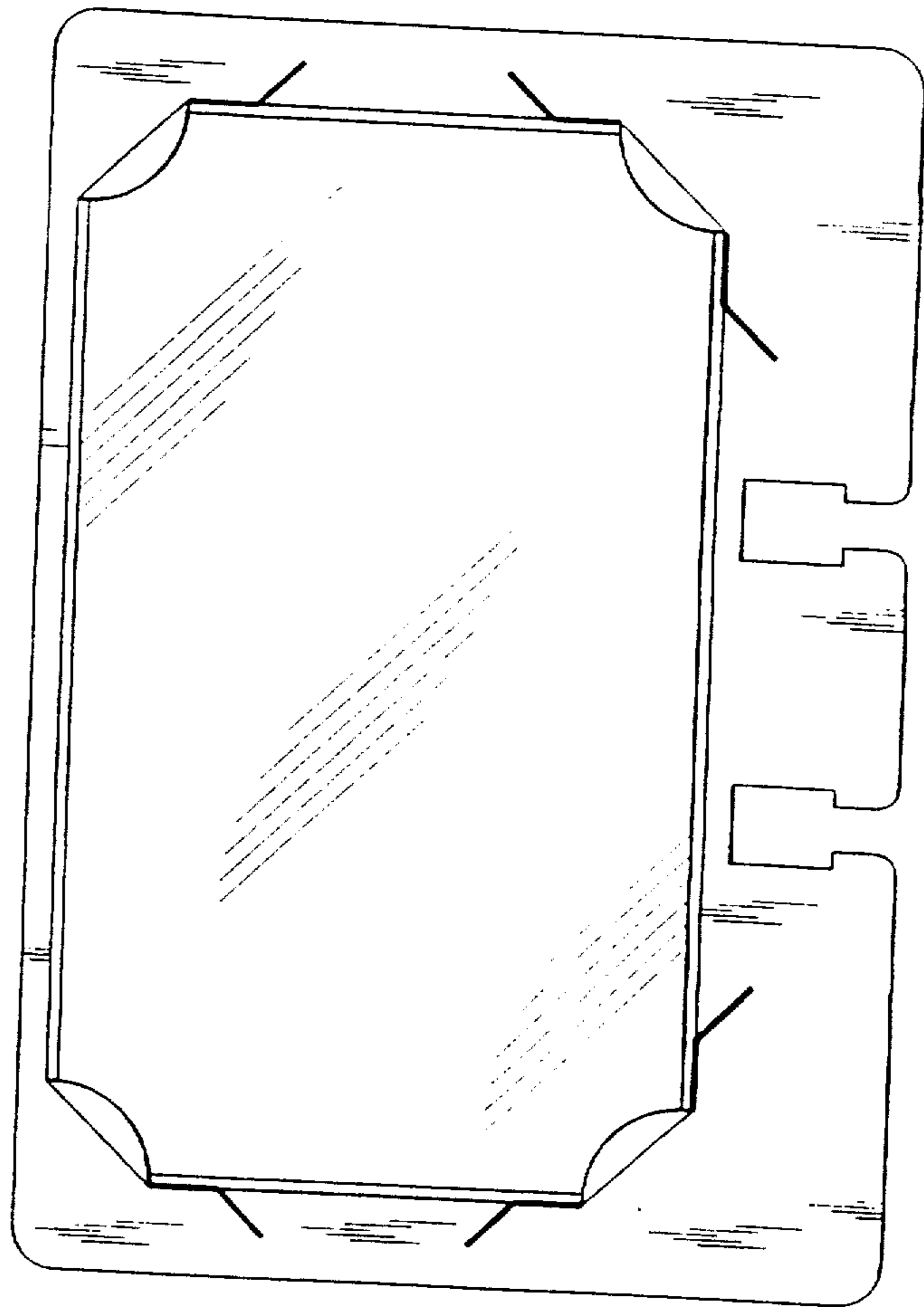


FIG. 6