



US00D343633S

# United States Patent [19]

[11] Patent Number: Des. 343,633

Guardala et al.

[45] Date of Patent: \*\* Jan. 25, 1994

[54] MOUTHPIECE FOR SINGLE REED  
MUSICAL INSTRUMENTS

[75] Inventors: David S. Guardala; Jeffrey S. Powell,  
both of Hicksville, N.Y.

[73] Assignee: Dave guardala Mouthpieces, Inc., Bay  
Shore, N.Y.

[\*\*] Term: 14 Years

[21] Appl. No.: 820,914

[22] Filed: Jan. 9, 1992

[52] U.S. Cl. .... D17/13

[58] Field of Search ..... 84/383; D15/29; D17/13

[56] **References Cited**

**U.S. PATENT DOCUMENTS**

D. 54,420	2/1920	Kasper .....	D17/13
D. 156,847	1/1950	Runyon, Jr. ....	D17/13
2,368,556	1/1945	Maccaferri .....	84/383
2,517,077	8/1950	Berry .....	84/383
2,525,523	10/1950	Chance .....	84/383

**OTHER PUBLICATIONS**

Music Trades, Oct. 1990 p. 119 (RIA Mouthpiece).

*Primary Examiner*—Melvin B. Feifer

*Assistant Examiner*—Adir Aronovich

*Attorney, Agent, or Firm*—Charles E. Temko

[57] **CLAIM**

The ornamental design for a mouthpiece for single reed musical instruments, as shown.

**DESCRIPTION**

FIG. 1 is a side elevational view of a mouthpiece showing our new design;

FIG. 2 is a bottom plan view thereof;

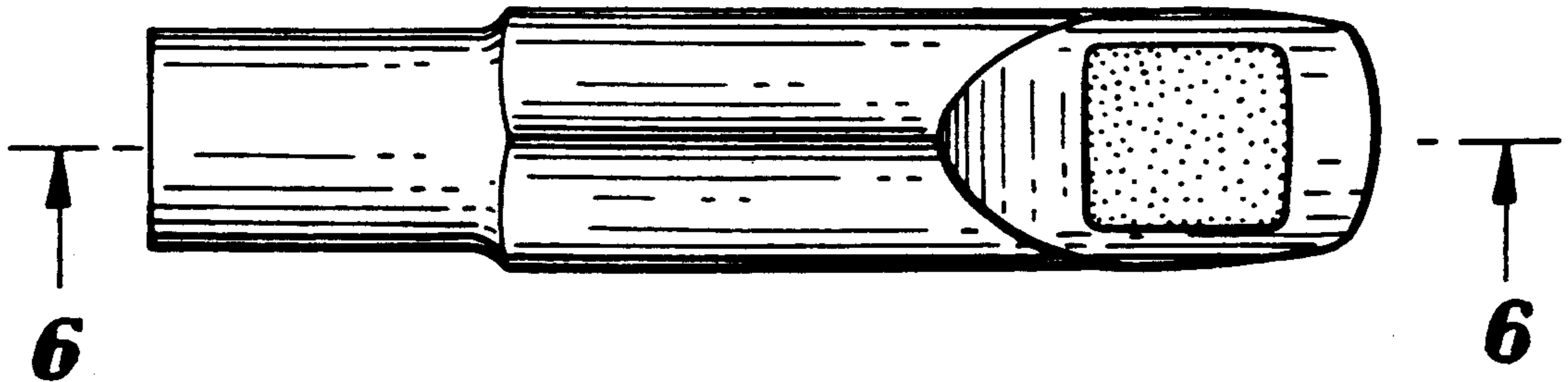
FIG. 3 is a top plan view thereof;

FIG. 4 is an end elevational view thereof;

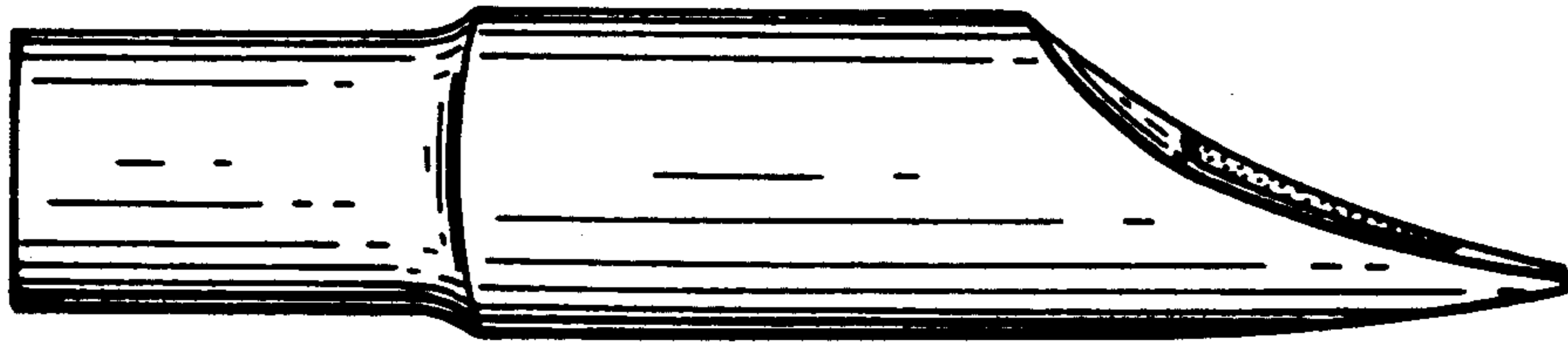
FIG. 5 is an end elevational view thereof showing the side opposite that seen in FIG. 4;

FIG. 6 is a transverse sectional view thereof as seen from the plane 6—6 in FIG. 2; and,

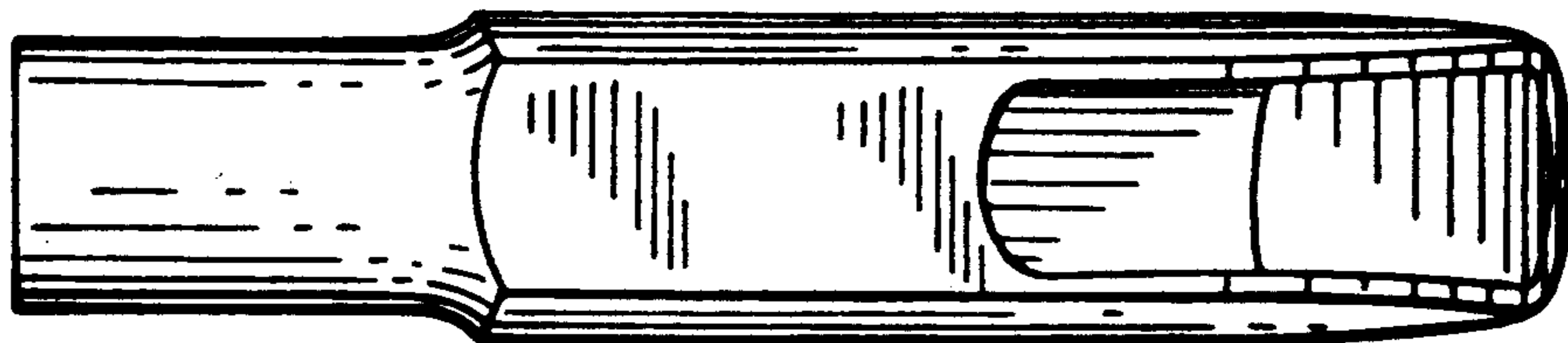
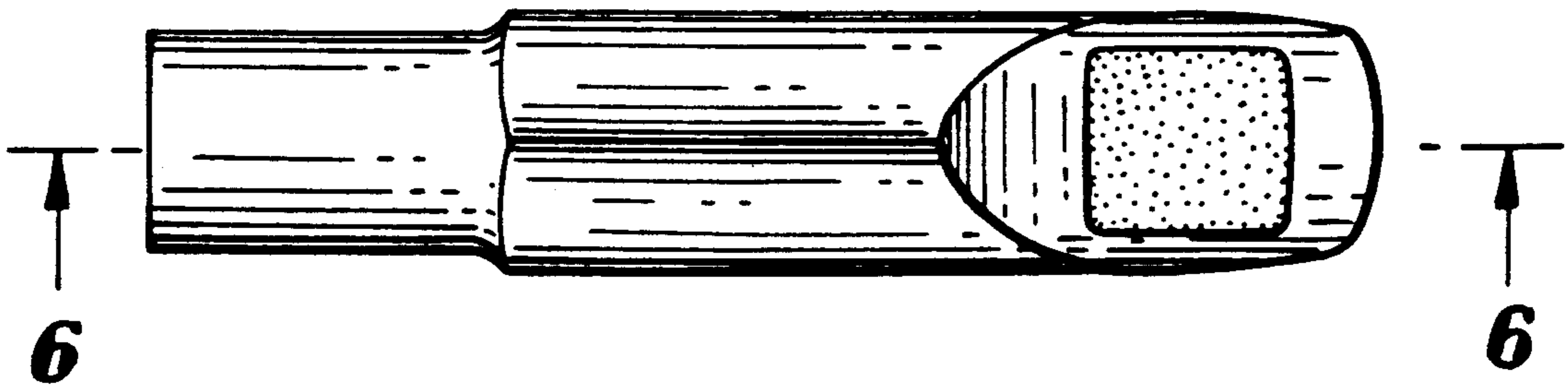
FIG. 7 is a vertical sectional view through the plane 7—7 in FIG. 6.



*FIG. 1*



*FIG. 2*

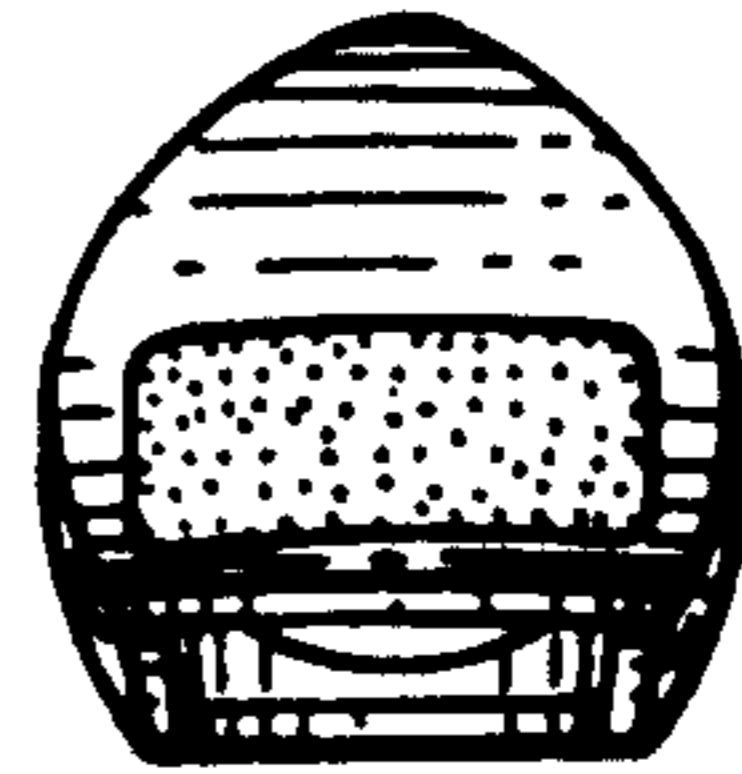


*FIG. 3*

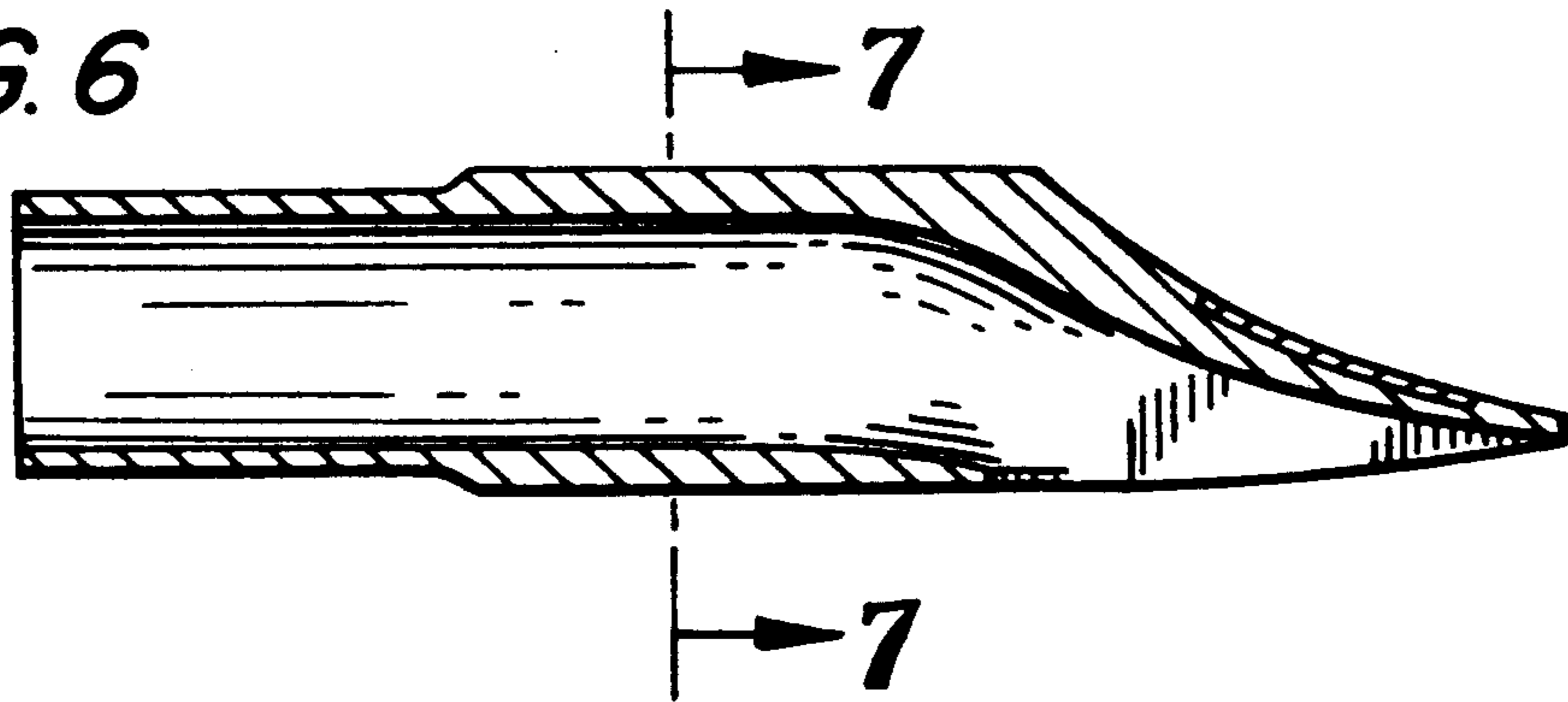
*FIG. 4*



*FIG. 5*



*FIG. 6*



*FIG. 7*

