



US00D343630S

# United States Patent [19]

Tomiyama et al.

[11] Patent Number: **Des. 343,630**

[45] Date of Patent: **\*\* Jan. 25, 1994**

[54] **INDUSTRIAL ROBOT**

[75] Inventors: **Katsuya Tomiyama; Makoto Omiya; Naoki Ozawa**, all of Tokyo, Japan

[73] Assignee: **NEC Corporation**, Tokyo, Japan

[\*\*] Term: **14 Years**

[21] Appl. No.: **850,772**

[22] Filed: **Mar. 13, 1992**

[30] **Foreign Application Priority Data**

Sep. 30, 1991 [JP] Japan ..... 3-29385

[52] U.S. Cl. .... **D15/199**

[58] Field of Search ..... 74/103, 89, 479 R, 640, 74/815, 816; 219/121.6; 310/56; 318/568.11; 418/744.5, 744.3, 733, 917, 789.6, 790.6, 792.9, 799, 902, 918; 901/21, 11, 13, 42, 43, 15, 9; **D15/199**

[56] **References Cited**

**U.S. PATENT DOCUMENTS**

- D. 292,000 9/1987 Shibayama et al. .... D15/199
- D. 293,449 12/1987 Kaufmann et al. .... D15/199
- 4,383,788 5/1983 Sylvander ..... 414/744.3 X
- 5,219,263 6/1993 Stuckmann et al. .... 414/744.3 X

**OTHER PUBLICATIONS**

Brochure on Epson Accusembler, publication date unknown, but assumed to be prior to the Japanese priority

application date of Sep. 30, 1991 of the present application.

Brochure on Yamaha YK540, YK640, YK740, YK840, publication date unknown, but assumed to be prior to the Japanese priority application date of Sep. 30, 1991 of the present application.

Brochure on SRX-4CH, publication date unknown, but assumed to be prior to the Japanese priority application date of Sep. 30, 1991 of the present application.

*Primary Examiner*—Nelson C. Holtje  
*Assistant Examiner*—Antoine D. Davis  
*Attorney, Agent, or Firm*—Sughrue, Mion, Zinn, Macpeak & Seas

[57] **CLAIM**

The ornamental design for an industrial robot, as shown and described.

**DESCRIPTION**

FIG. 1 is a front elevational view of an industrial robot showing our new design;

FIG. 2 is a rear elevational view thereof;

FIG. 3 is a top plan view thereof;

FIG. 4 is a bottom plan view thereof;

FIG. 5 is a left side elevational view thereof;

FIG. 6 is a right side elevational view thereof;

FIG. 7 is a front perspective view thereof;

FIG. 8 is a front perspective view thereof with an arm thereof rotated to the right; and,

FIG. 9 is a front, top and left side perspective view thereof with the arm thereof rotated to the left.

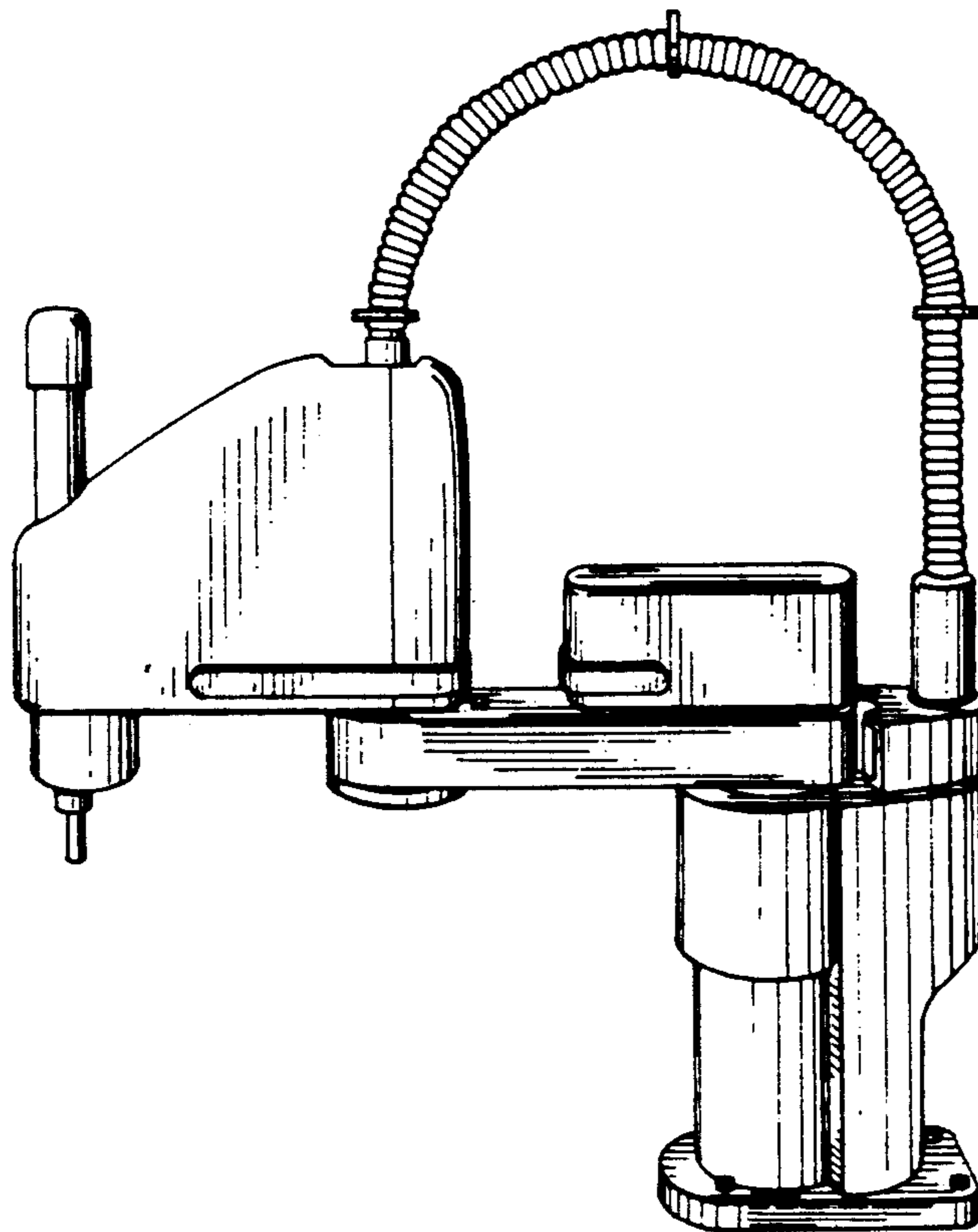


FIG. 1

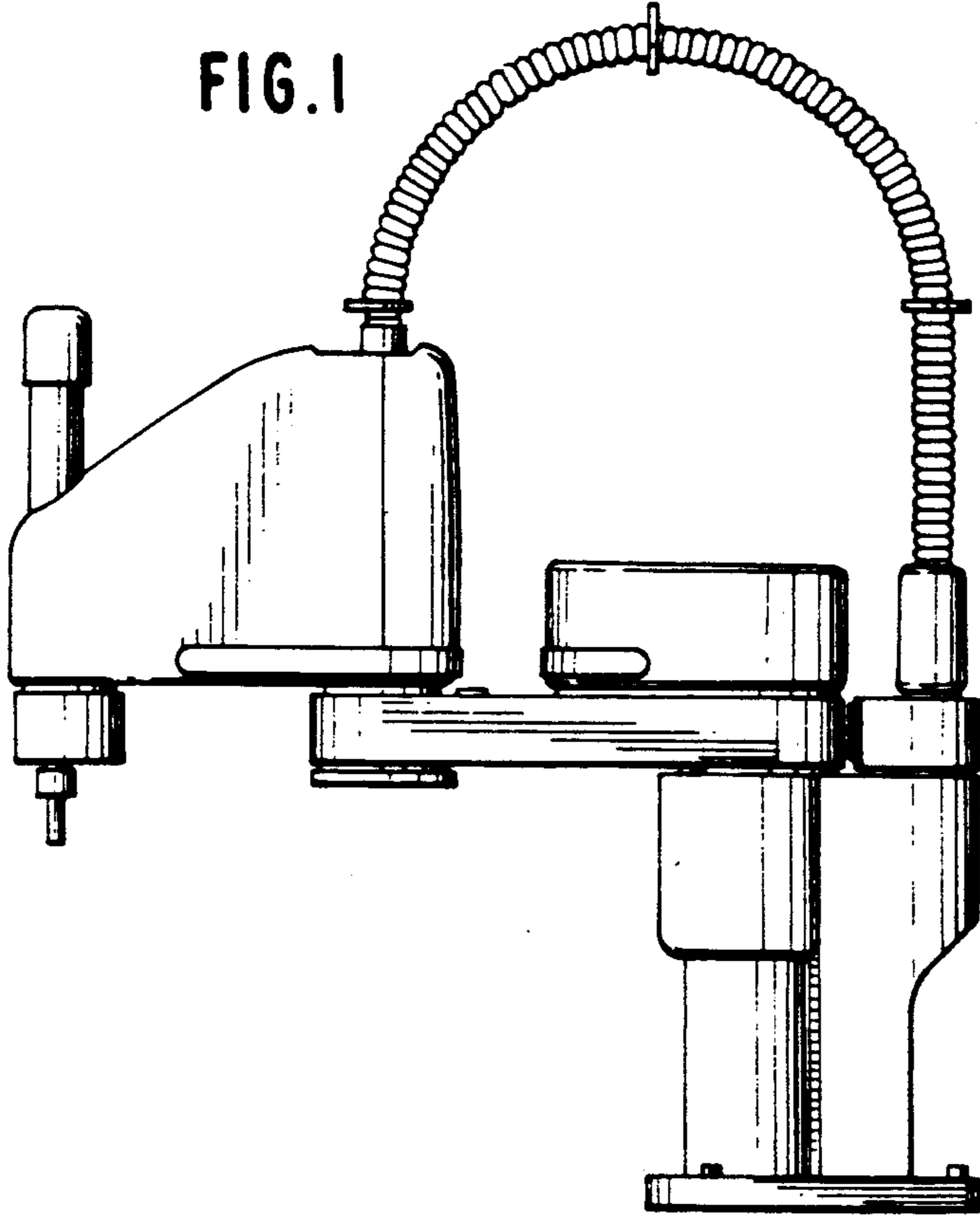


FIG. 5

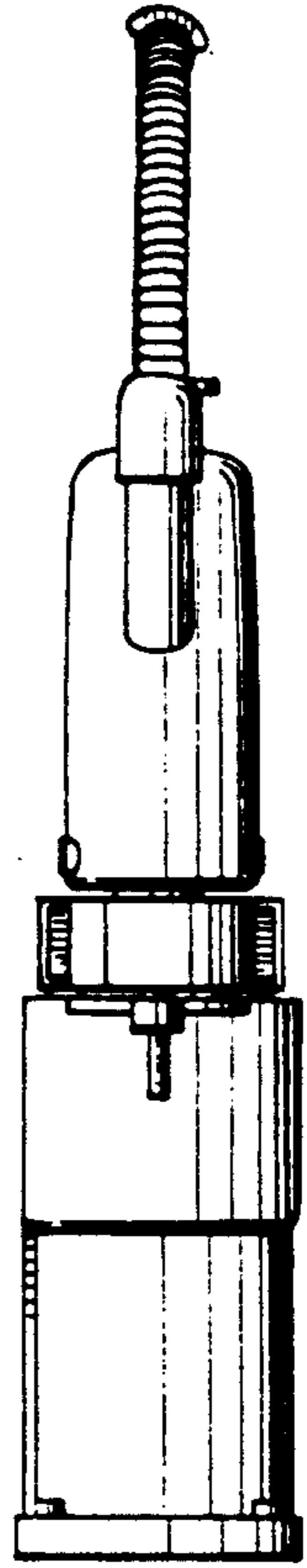


FIG. 2

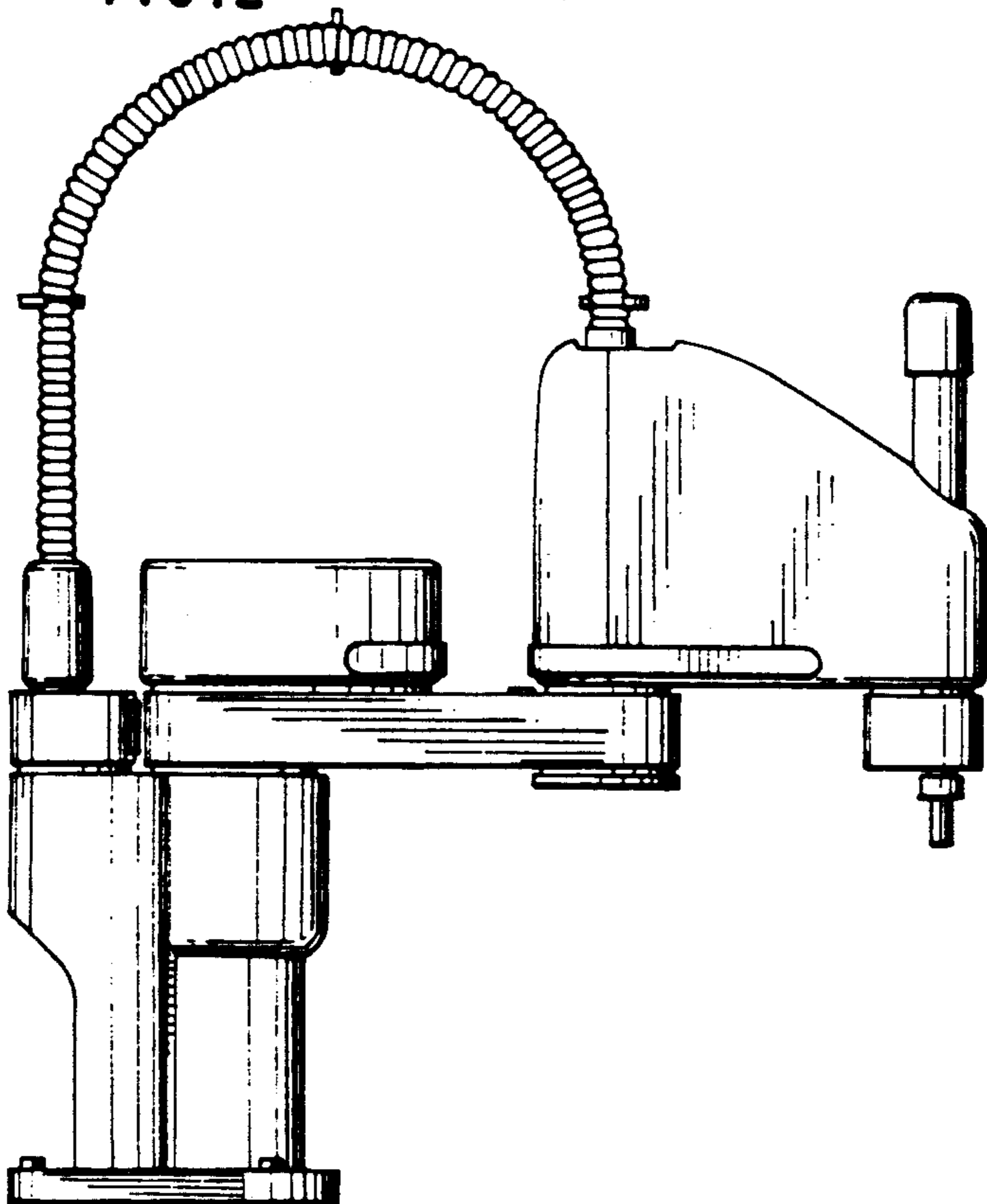


FIG. 6

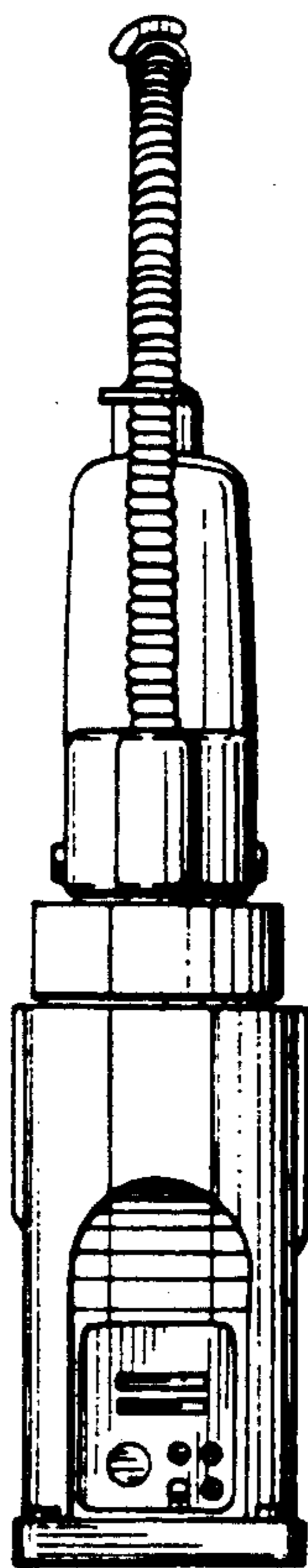


FIG. 3

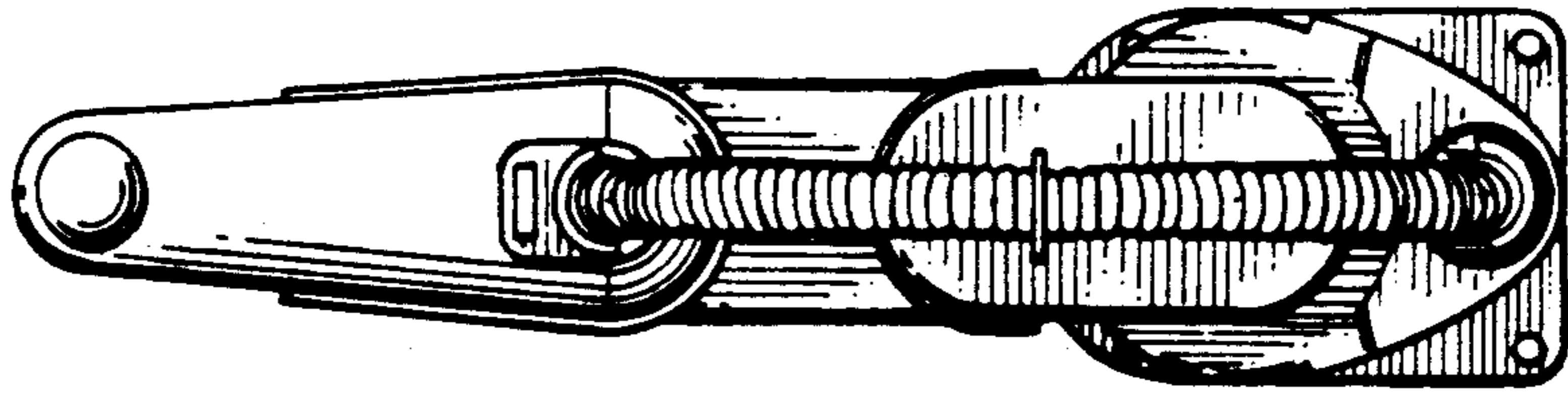


FIG. 4

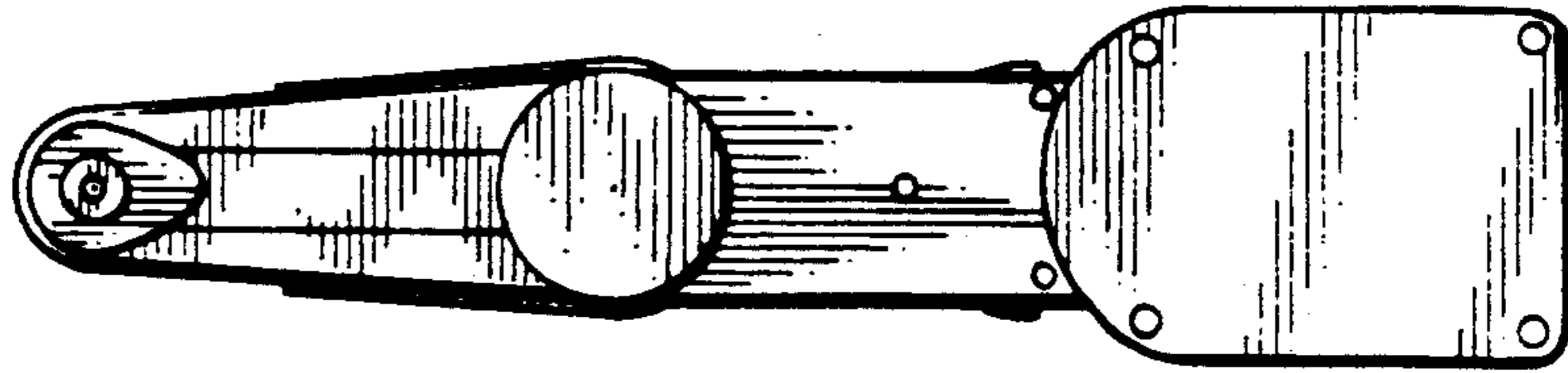
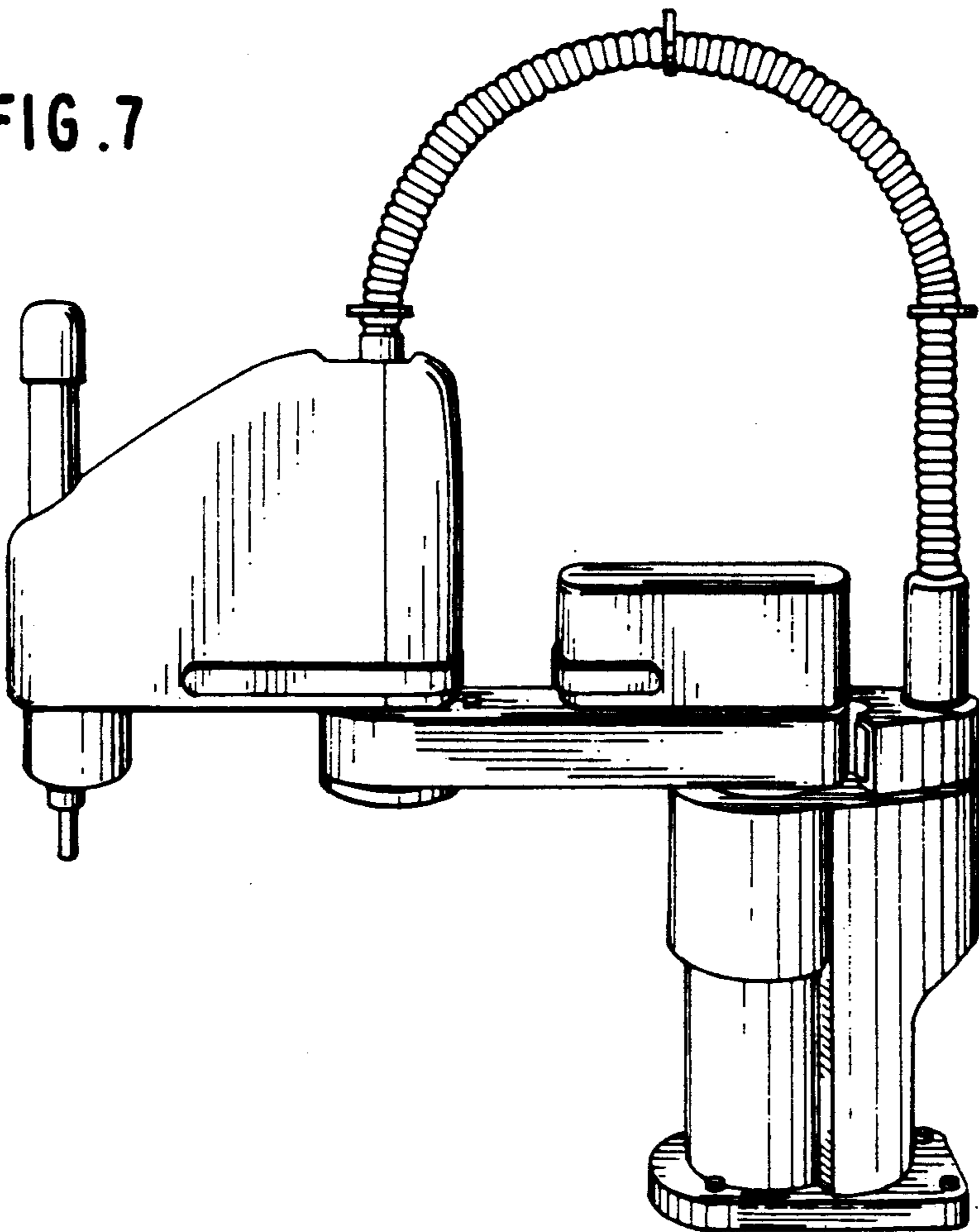


FIG. 7



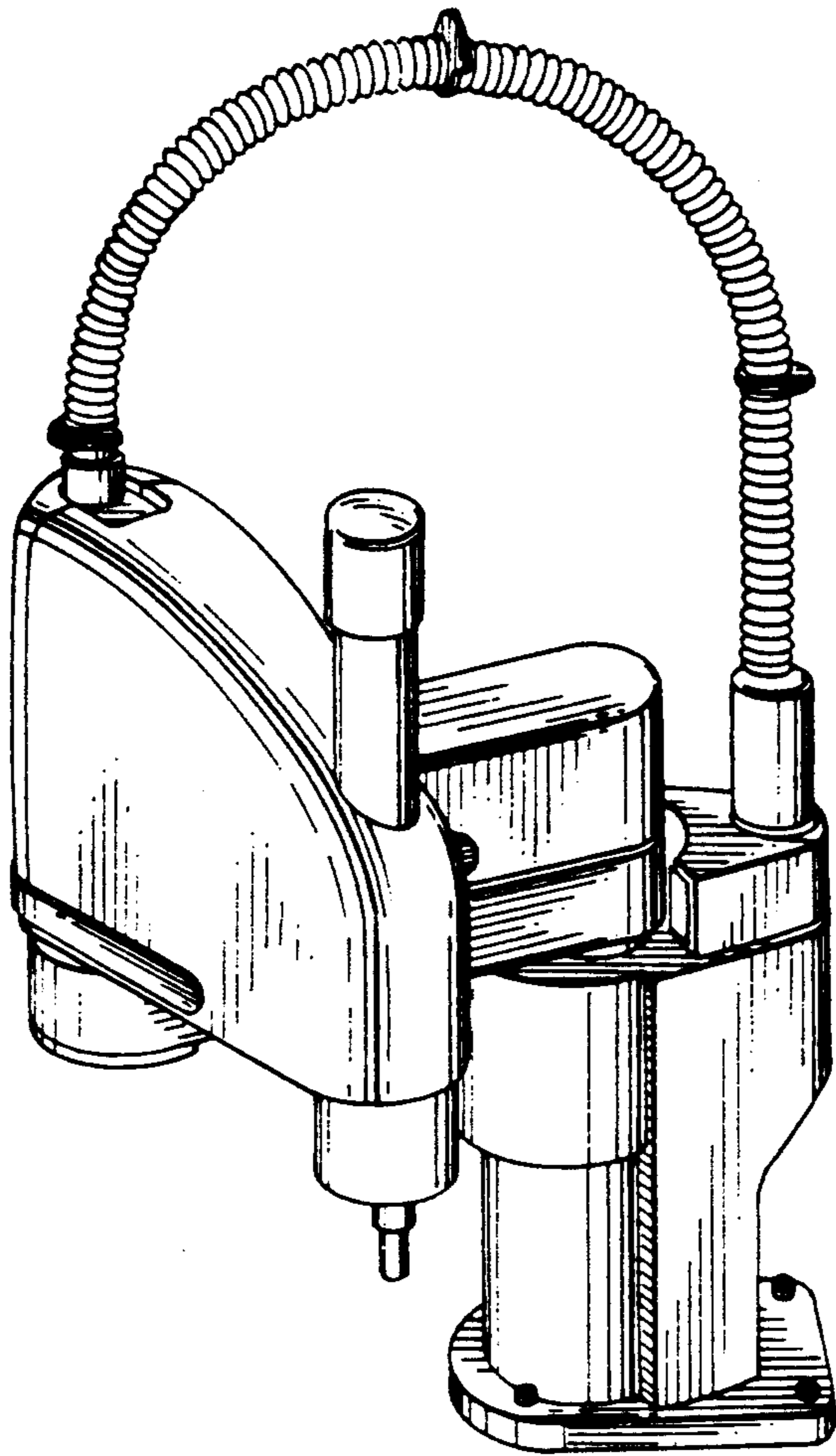


FIG. 8

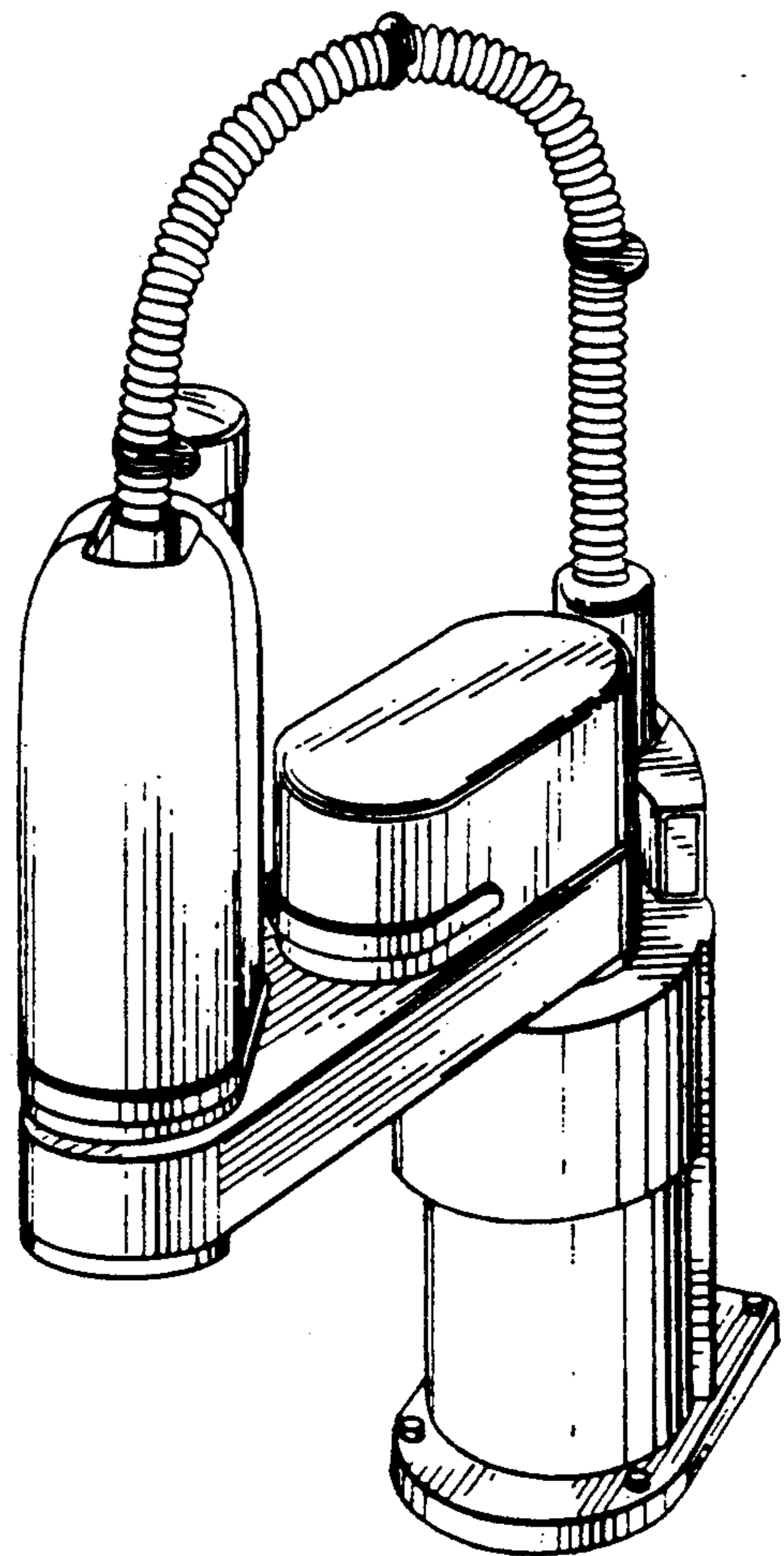


FIG. 9