



US00D343627S

# United States Patent [19]

[11] Patent Number: **Des. 343,627**

**Raio**

[45] Date of Patent: **\*\* Jan. 25, 1994**

[54] **PAR BRAKE AND FORM-IN-PAN MACHINE**

[75] Inventor: **Eugene L. Raio**, Huntington Beach, Calif.

[73] Assignee: **Proprocess Corporation**, Paramount, Calif.

[\*\*] Term: **14 Years**

[21] Appl. No.: **871,207**

[22] Filed: **Apr. 20, 1992**

[52] U.S. Cl. .... **D15/135**

[58] Field of Search ..... **425/406-423; D15/135-137**

Operating Manual DoughPro DP-1100 (ProProcess Corp).

Comtec Pizza Press (Component Tech Engineering Co).

Automatic Pie Machine (Colborne Manufacturing Co).

DoughPro Press-in Pie Pan 6000 Series (ProProcess Corp).

DoughPro Pizza Baking Pans (ProProcess Corp.).

Doughpro Model DP 1400 (ProProcess Corp.).

Doughpro Model DP 1800 (ProProcess Corp.).

Comtec Model 2200 (Component Tech Engineering Co).

*Primary Examiner*—Alan P. Douglas

*Assistant Examiner*—Antoine D. Davis

*Attorney, Agent, or Firm*—Stetina and Brunda

[56] **References Cited**

**U.S. PATENT DOCUMENTS**

4,354,819 10/1982 Wirz ..... 425/409  
4,559,002 12/1985 Atwood ..... 425/409

**OTHER PUBLICATIONS**

Every Pizza Parlor Needs A Doughpro (ProProcess Corp).

Doughpro Model DP 1300 (ProProcess Corp).

The Peronal Pizza Machine PPS-1 (ProProcess Corp).

[57] **CLAIM**

The ornamental design for a par bake and form-in-pan machine, as shown and described.

**DESCRIPTION**

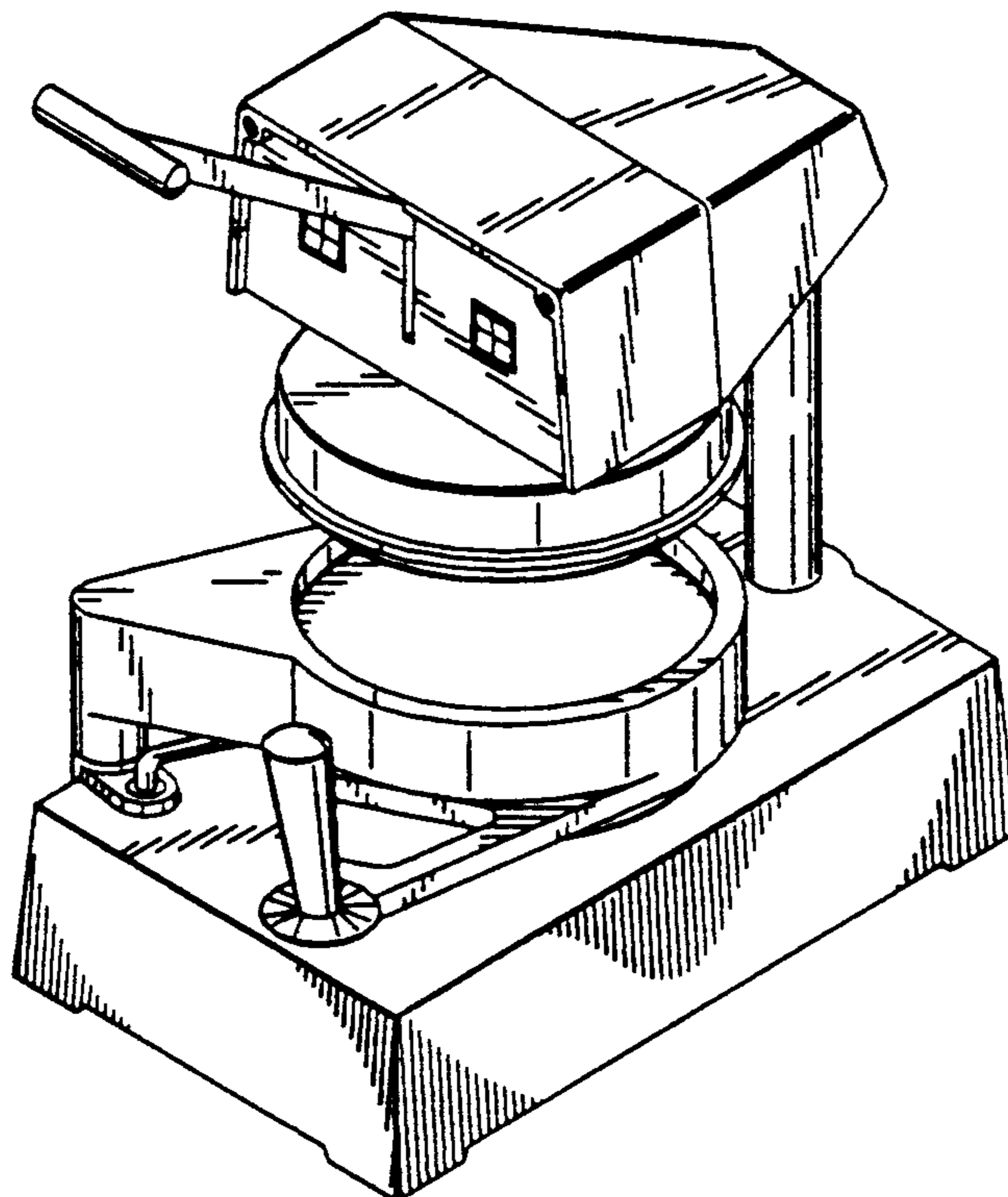
FIG. 1 is a top perspective view of the invention;

FIG. 2 is a front view of the invention;

FIG. 3 is a bottom perspective view of the invention;

and,

FIG. 4 is a side view of the invention.



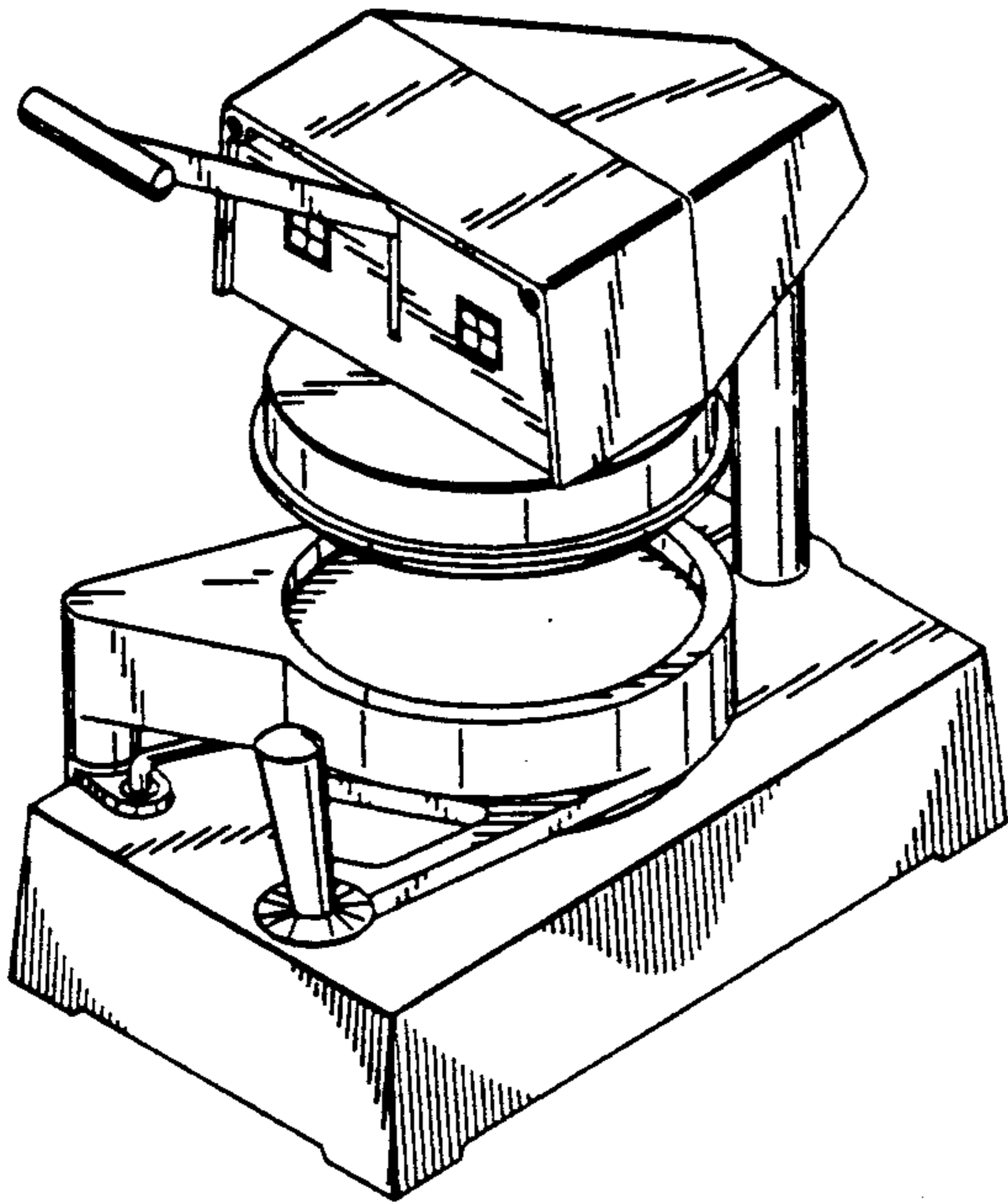


FIG. 1

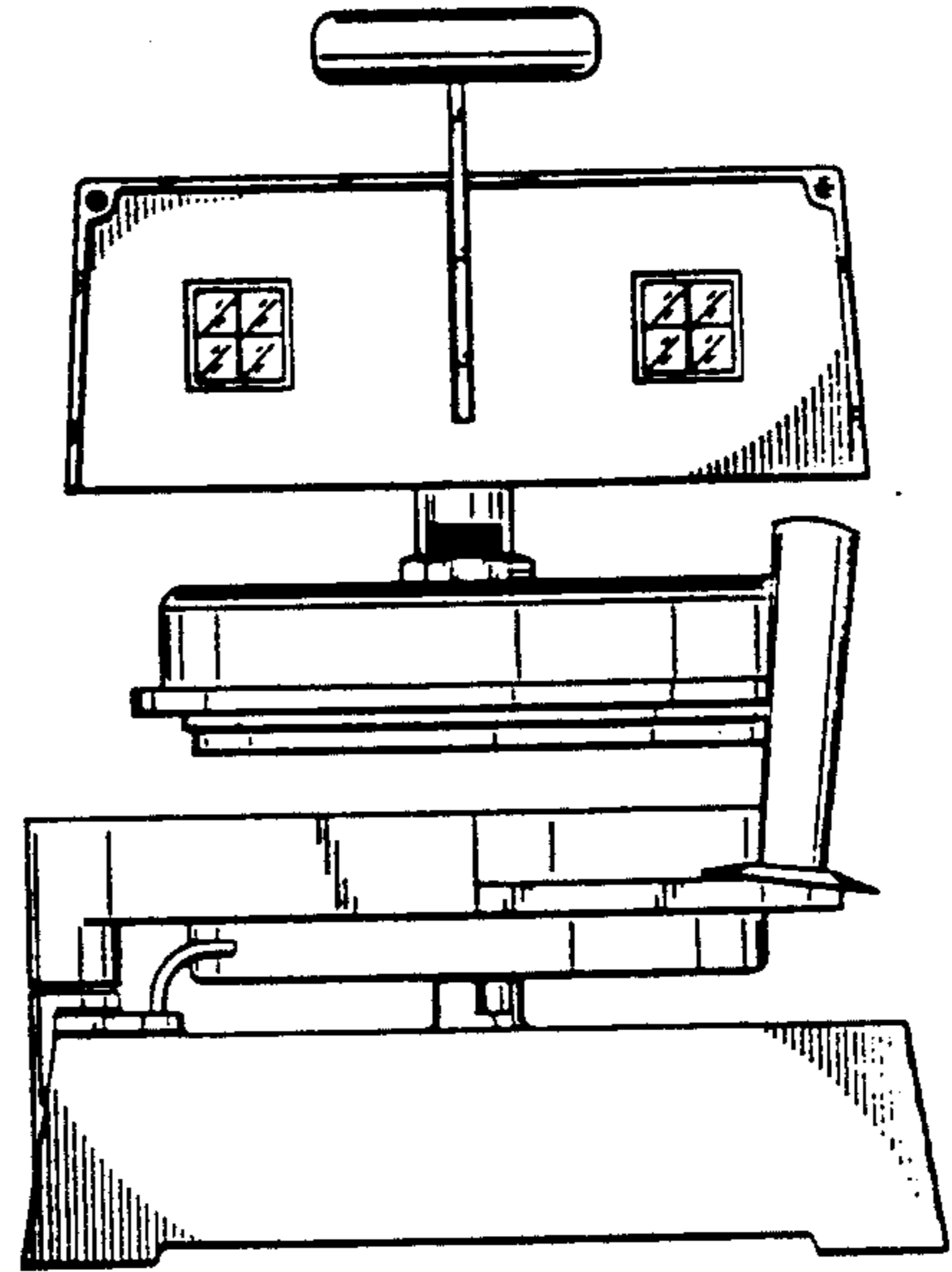


FIG. 2

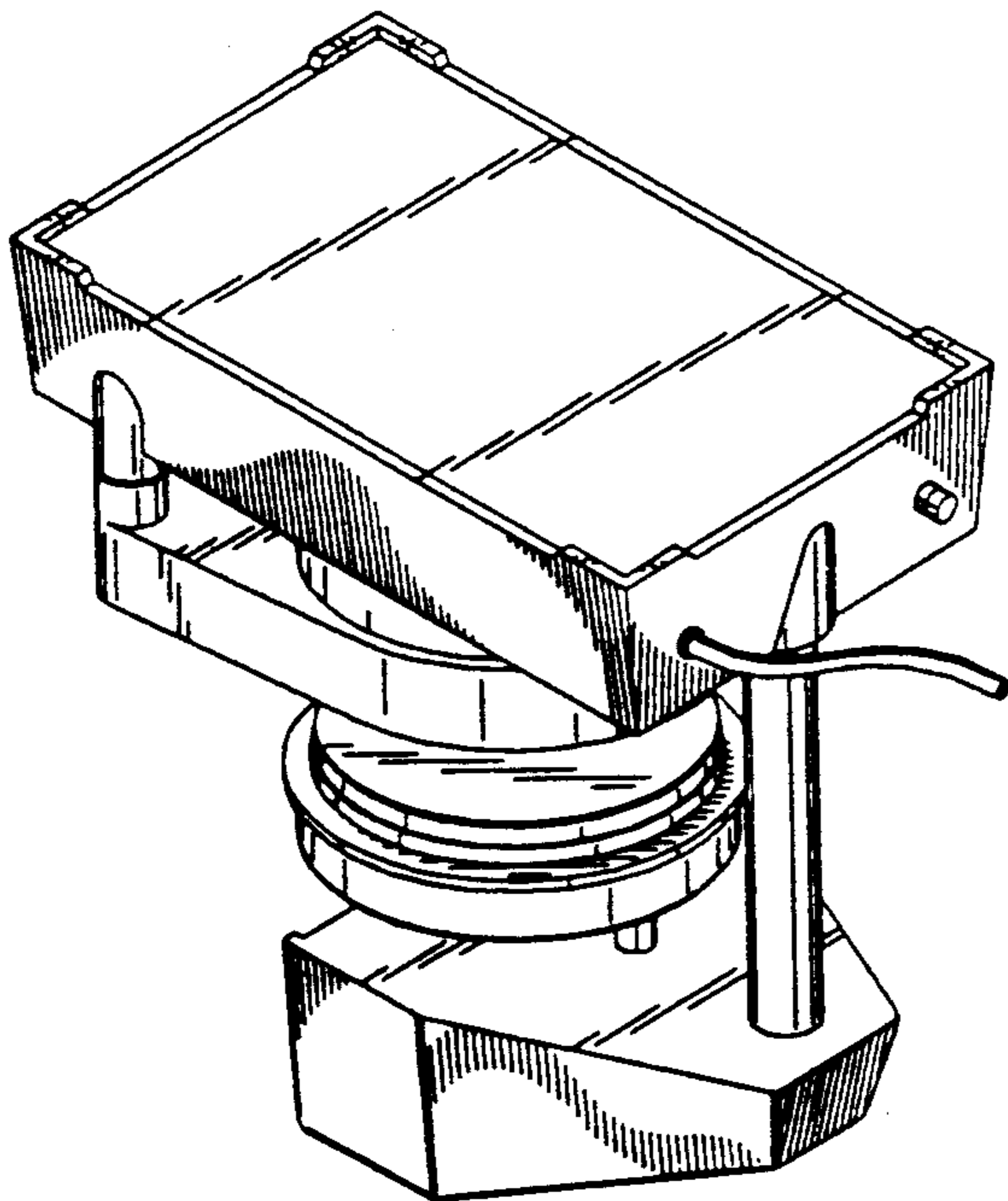


FIG. 3

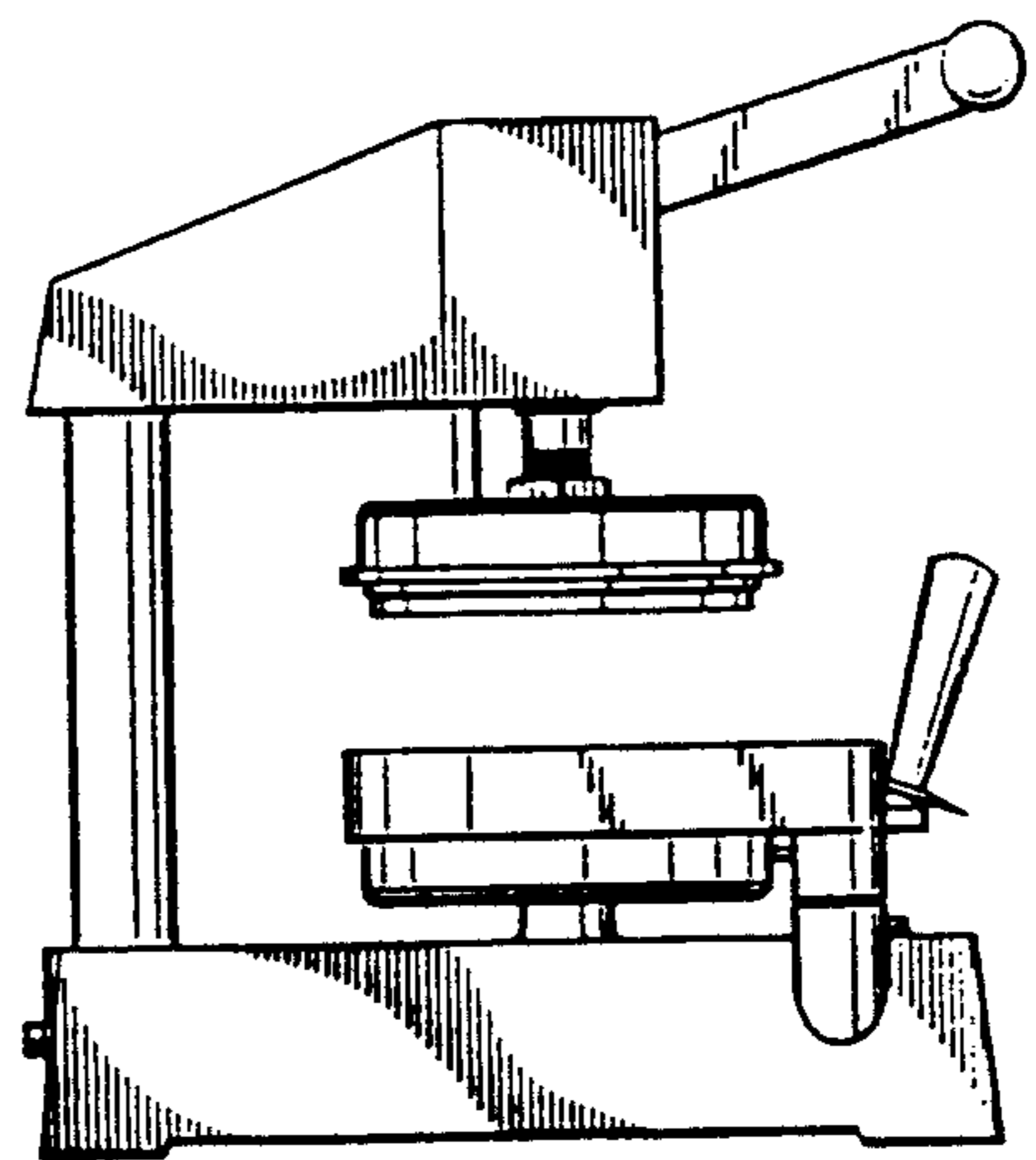


FIG. 4

UNITED STATES PATENT AND TRADEMARK OFFICE  
**CERTIFICATE OF CORRECTION**

PATENT NO. : Des. 343,627  
DATED : Jan. 25, 1994  
INVENTOR(S) : Eugene L. Raio

It is certified that error appears in the above-identified patent and that said Letters Patent is hereby corrected as shown below:

On title page, item [54] "PAR BRAKE AND FORM-IN-PAN MACHINE" should read  
--PAR BAKE AND FORM-IN-PAN MACHINE--

Signed and Sealed this  
Twenty-fourth Day of May, 1994

Attest:



**BRUCE LEHMAN**

*Attesting Officer*

*Commissioner of Patents and Trademarks*