



US00D343626S

United States Patent [19]

[11] Patent Number: **Des. 343,626**

Fan

[45] Date of Patent: ** Jan. 25, 1994

[54] **AUTOMATIC WIRE STRIPPING AND CUTTING MACHINE**

FOREIGN PATENT DOCUMENTS

[76] Inventor: **Kuan-Yun Fan, 18310 Bedford Cir., La Puente, Calif. 91744**

3-59649 9/1991 Japan .

[**] Term: **14 Years**

Primary Examiner—Nelson C. Holtje
Assistant Examiner—Antoine D. Davis
Attorney, Agent, or Firm—Cecilia L. Yu

[21] Appl. No.: **835,567**

[57] **CLAIM**

[22] Filed: **Feb. 12, 1992**

The ornamental design for an automatic wire stripping and cutting machine, as shown.

[52] U.S. Cl. **D15/127**

DESCRIPTION

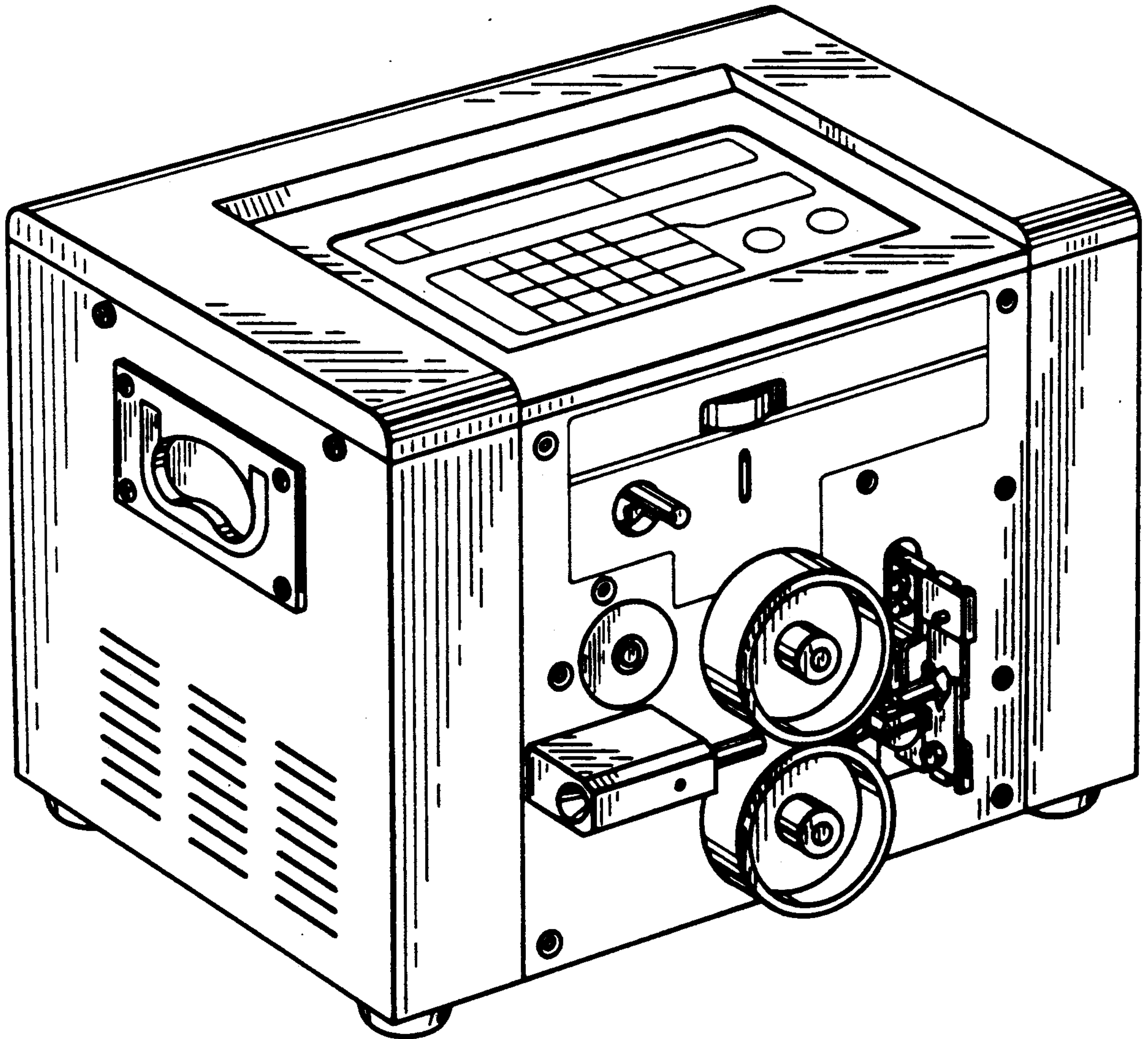
[58] Field of Search **81/9.51; D15/127-129**

FIG. 1 is a front perspective view of the ornamental design of the present invention;
FIG. 2 is a back perspective view of the ornamental design of the present invention;
FIG. 3 is a top view of the ornamental design of the present invention; and,
FIG. 4 is a front view of the ornamental design of the present invention.

[56] References Cited

U.S. PATENT DOCUMENTS

| | | | |
|------------|--------|-----------------------|-----------|
| D. 292,100 | 9/1987 | Goldsmith et al. | D15/127 |
| D. 325,388 | 4/1992 | Saito | D15/127 |
| 4,327,609 | 5/1982 | Resch | 81/9.51 |
| 4,999,910 | 3/1991 | Cross | 81/9.51 X |



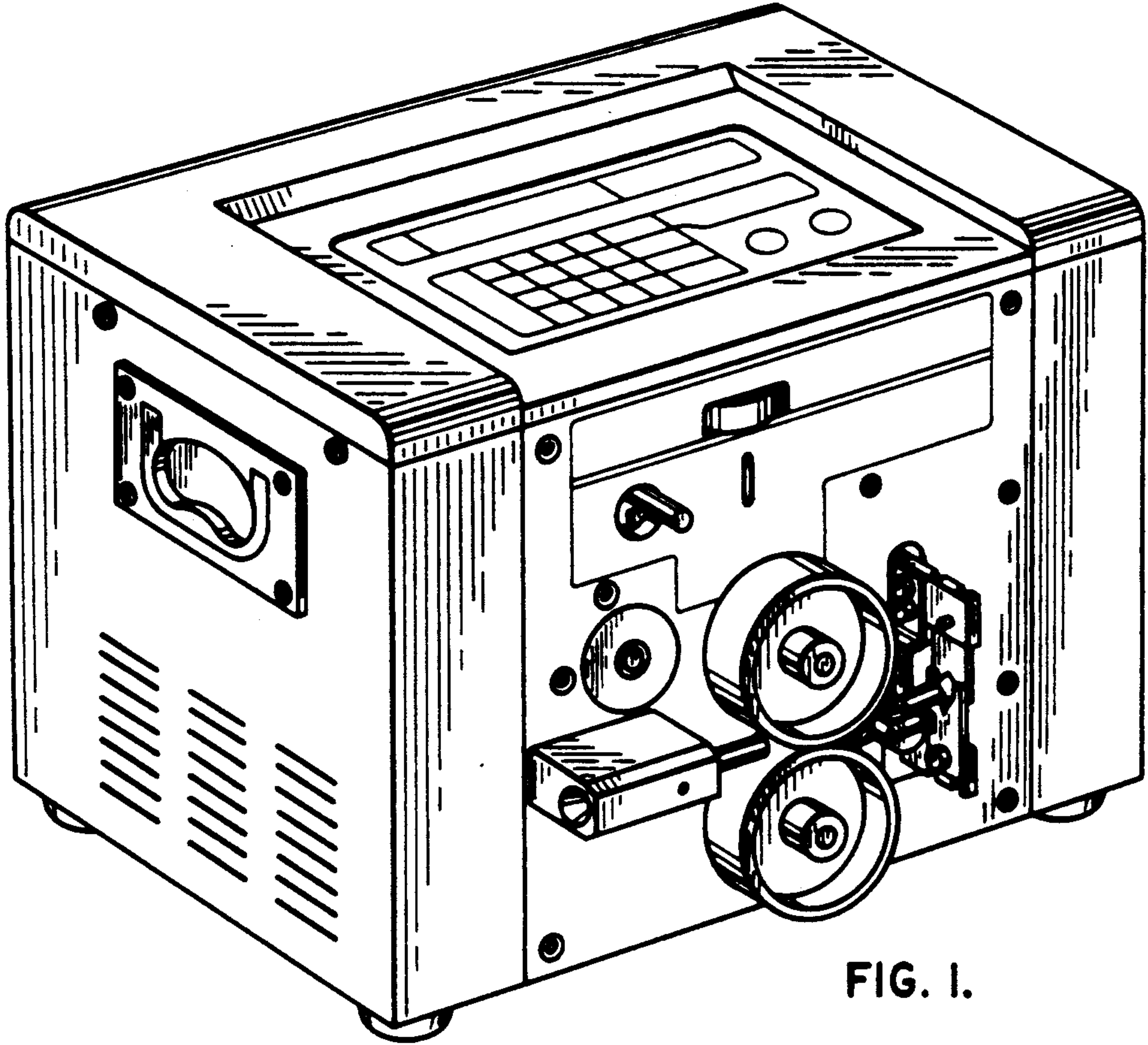


FIG. 1.

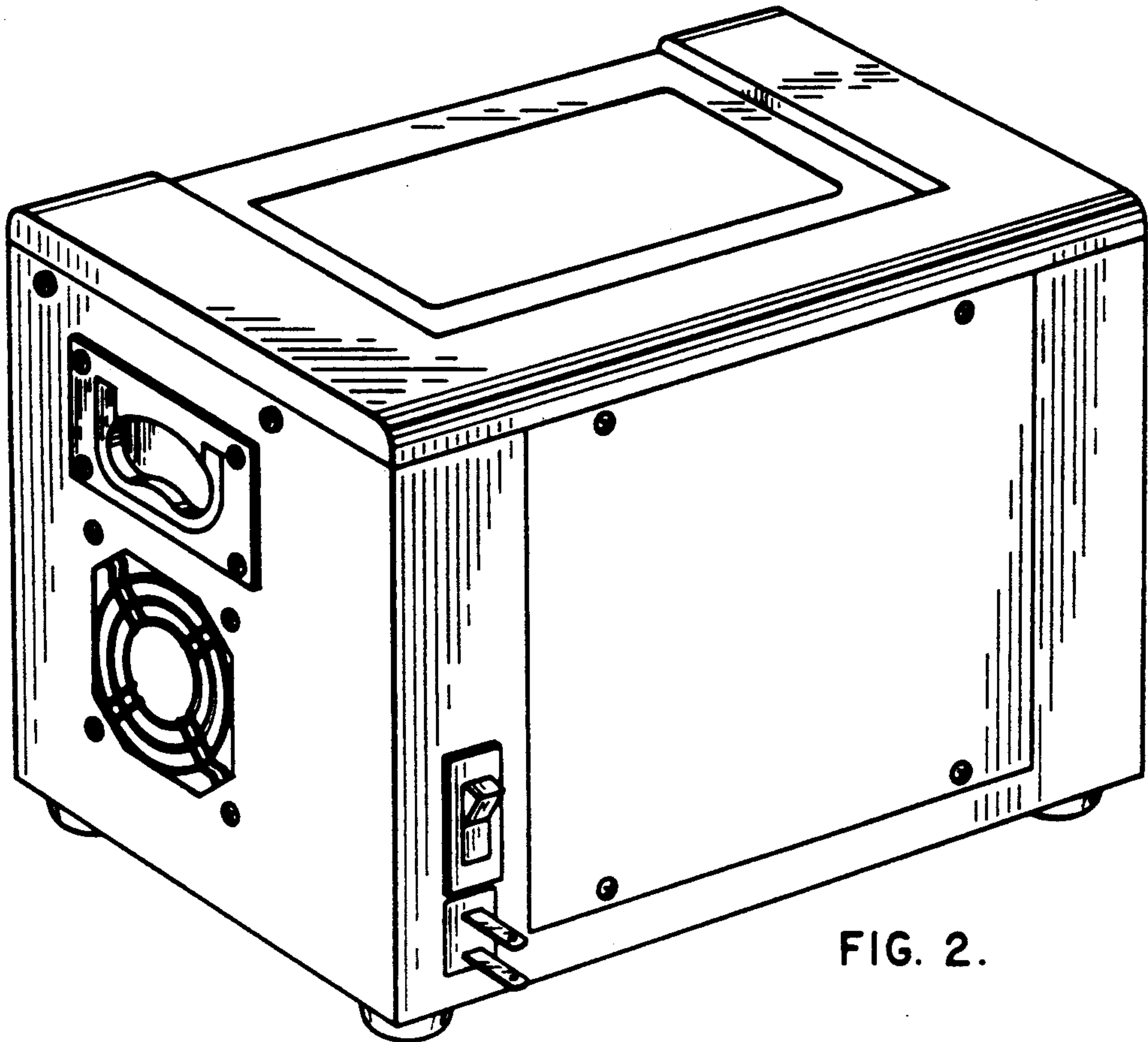


FIG. 2.

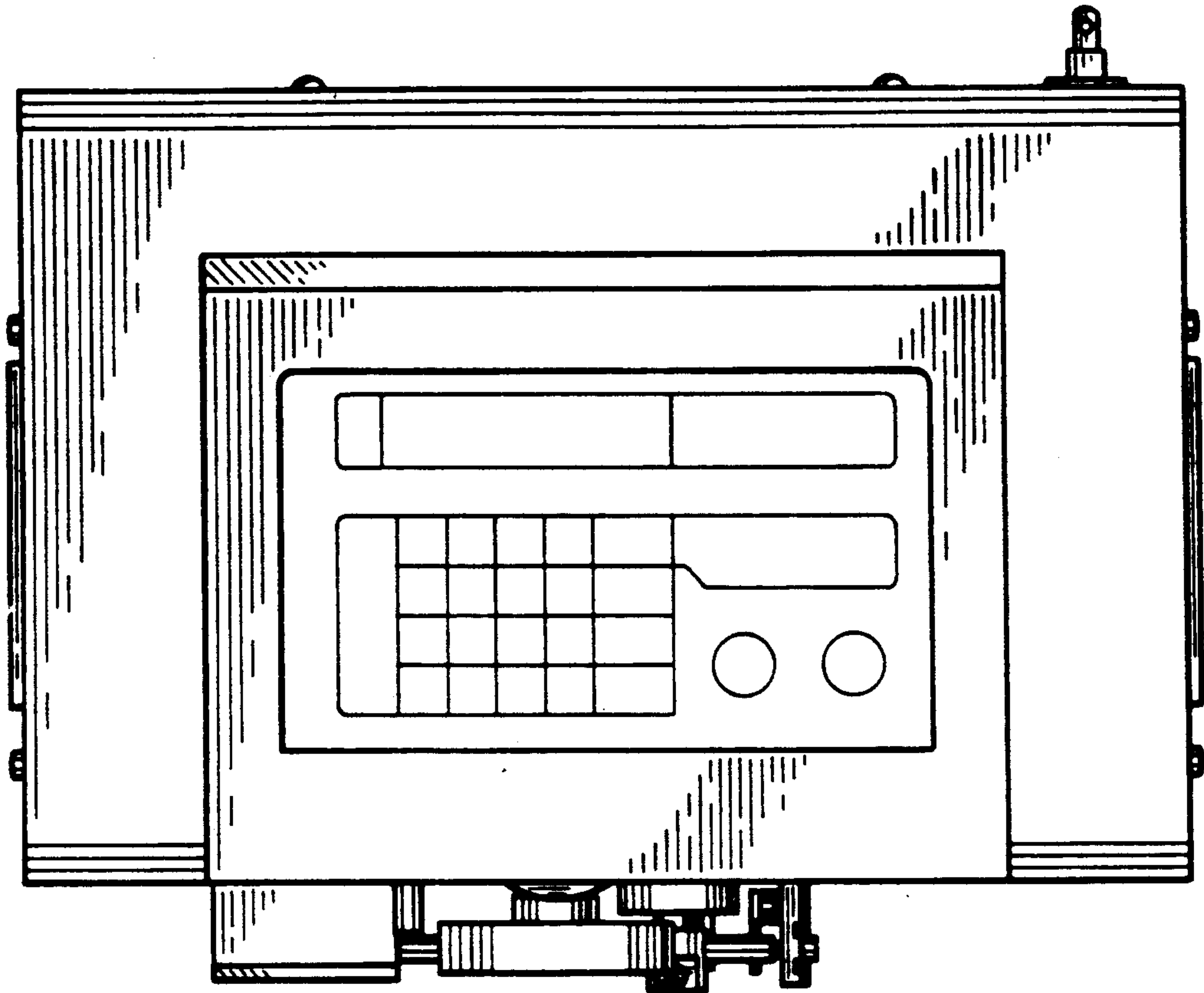


FIG. 3.

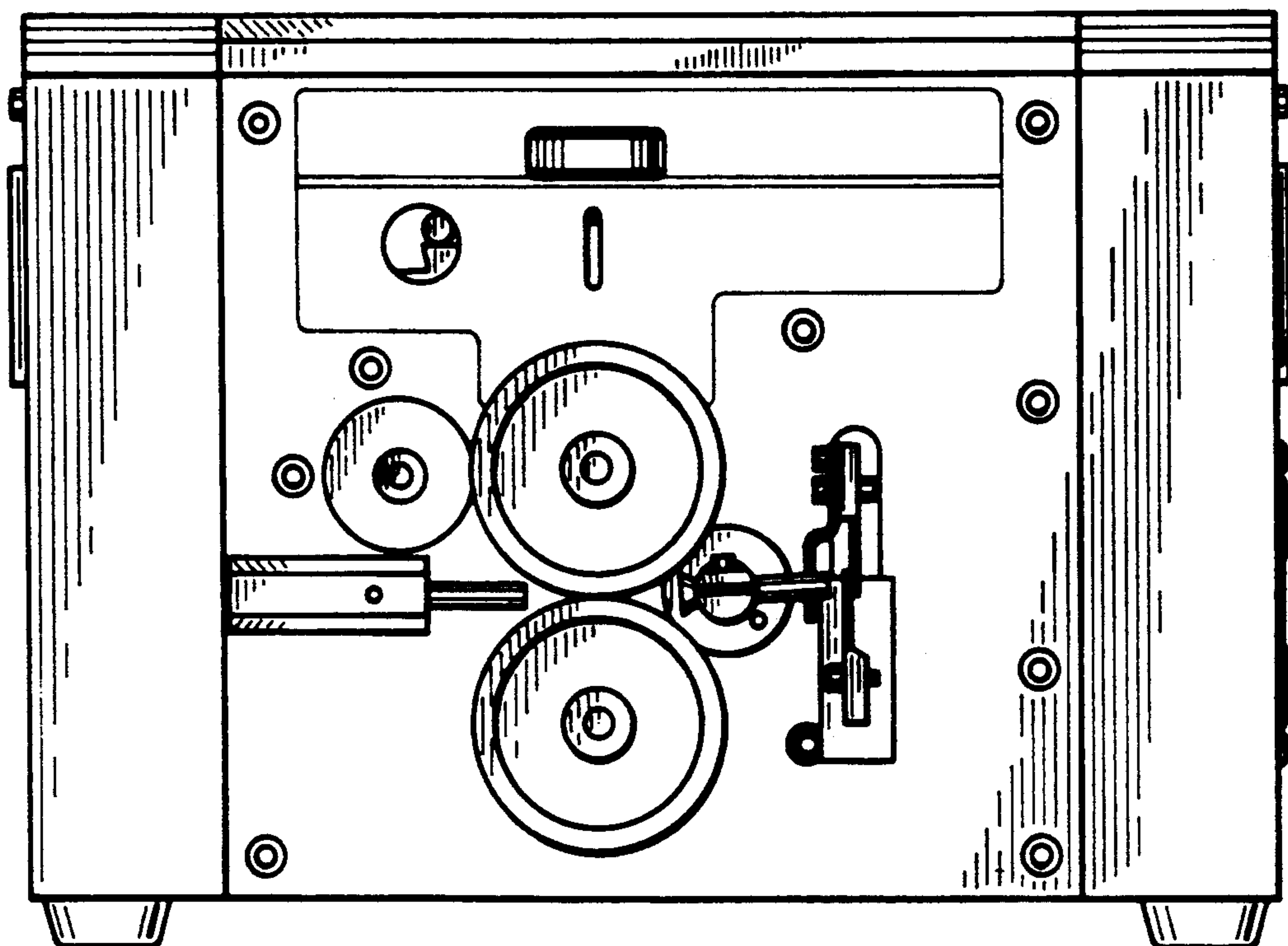


FIG. 4.