



US00D343625S

United States Patent [19]

[11] Patent Number: Des. 343,625

Walthall

[45] Date of Patent: ** Jan. 25, 1994

[54] **ELECTRIC TROLLING MOTOR CONTROL HANDLE**

4,706,592 11/1987 Walthall 440/7

[75] Inventor: **Kenneth W. Walthall**, Arlington, Tex.

Primary Examiner—A. Hugo Word
Assistant Examiner—R. Seifert
Attorney, Agent, or Firm—Harold H. Dutton, Jr.

[73] Assignee: **Molded Parts Specialists, Inc.**, Arlington, Tex.

[57] **CLAIM**

The ornamental design for an electric trolling motor control handle, as shown and described.

[**] Term: **14 Years**

DESCRIPTION

[21] Appl. No.: **838,088**

[22] Filed: **Feb. 18, 1992**

[52] U.S. Cl. **D15/4**

[58] Field of Search **440/6, 7, 21; 192/87.17; 74/606 R; D15/1-9.1; D12/317**

FIG. 1 is a top plan view of an electric trolling motor control handle showing my new design; FIG. 2 is a side elevation view thereof; FIG. 3 is a bottom view thereof; FIG. 4 is a left end view of the electric trolling motor control handle shown in FIG. 1; FIG. 5 is a side elevation view opposite to the side shown in FIG. 2; FIG. 6 is a right end view of the electric trolling motor control handle shown in FIG. 1; and, FIG. 7 is a perspective view thereof shown in an extended position.

[56] **References Cited**

U.S. PATENT DOCUMENTS

3,861,348	1/1975	Beierle	440/6
4,130,079	12/1978	Rhore et al.	440/7
4,624,206	11/1986	Frye et al.	440/6
4,698,032	10/1987	Hill	440/6

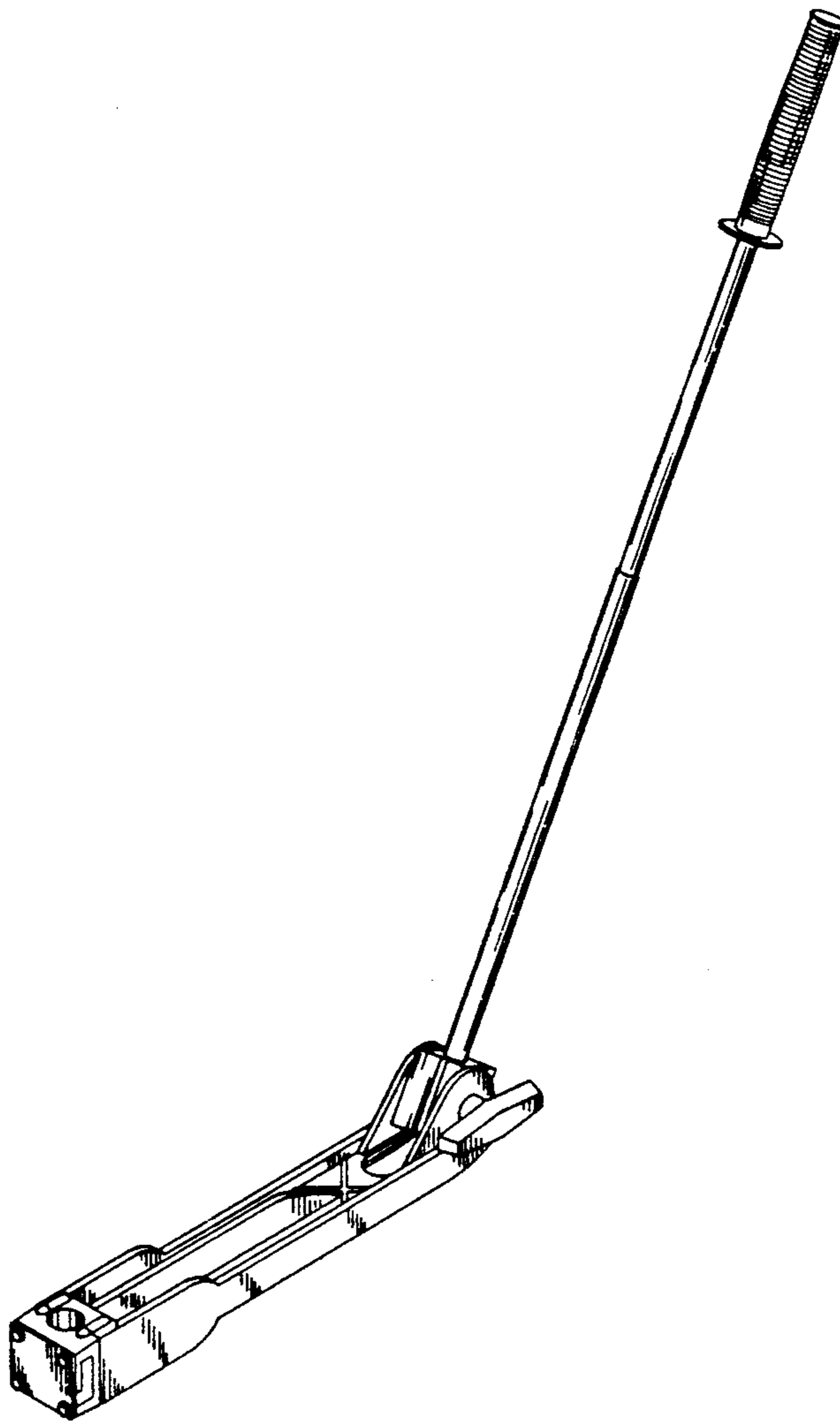


FIG. 1

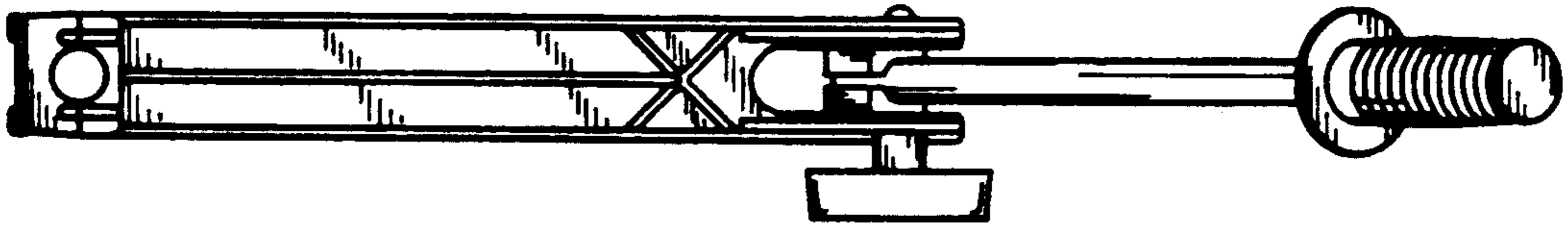


FIG. 2

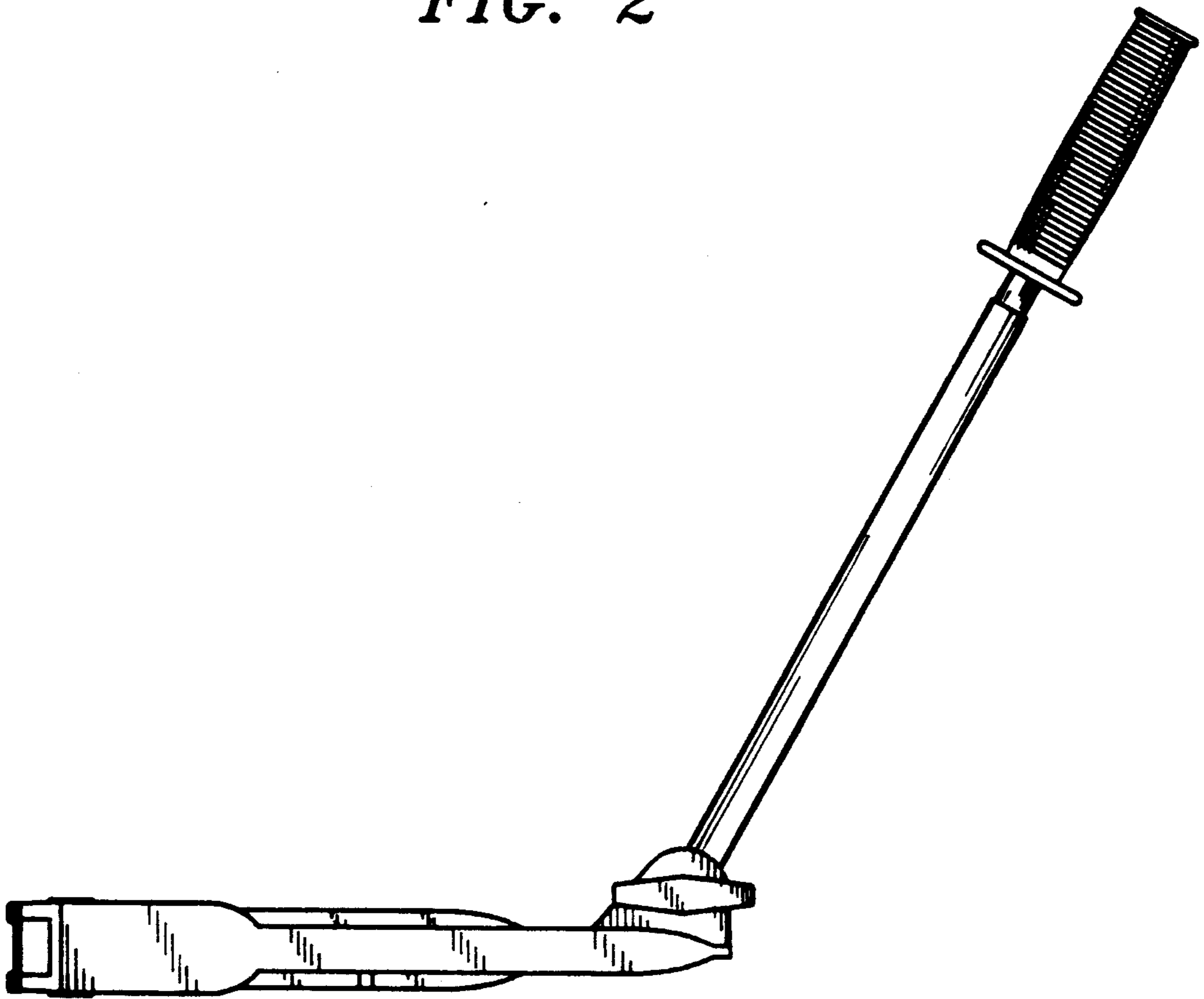


FIG. 3

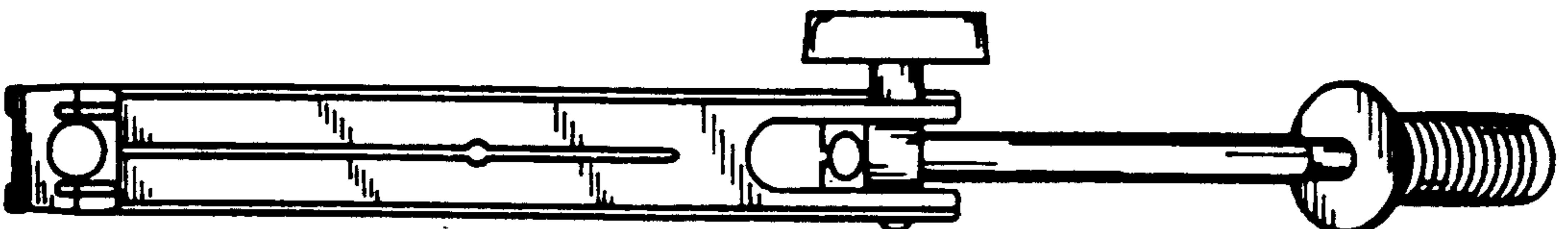


FIG. 6

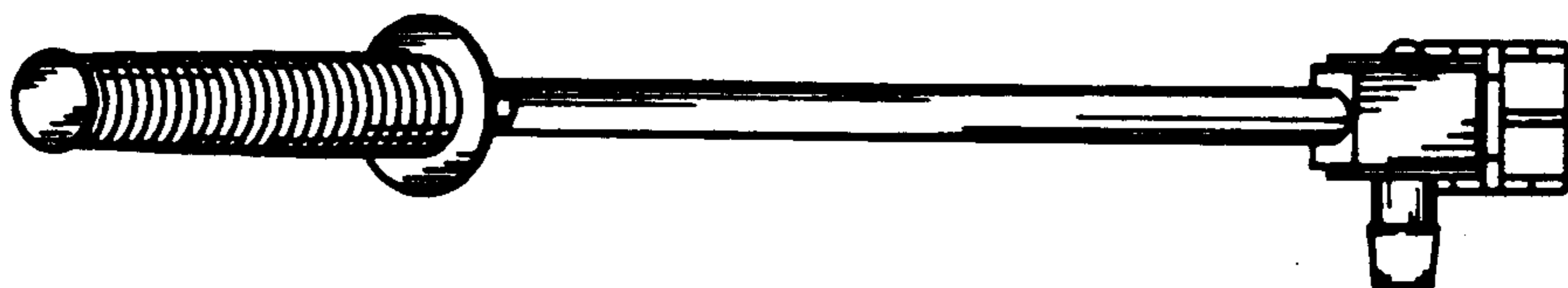


FIG. 5

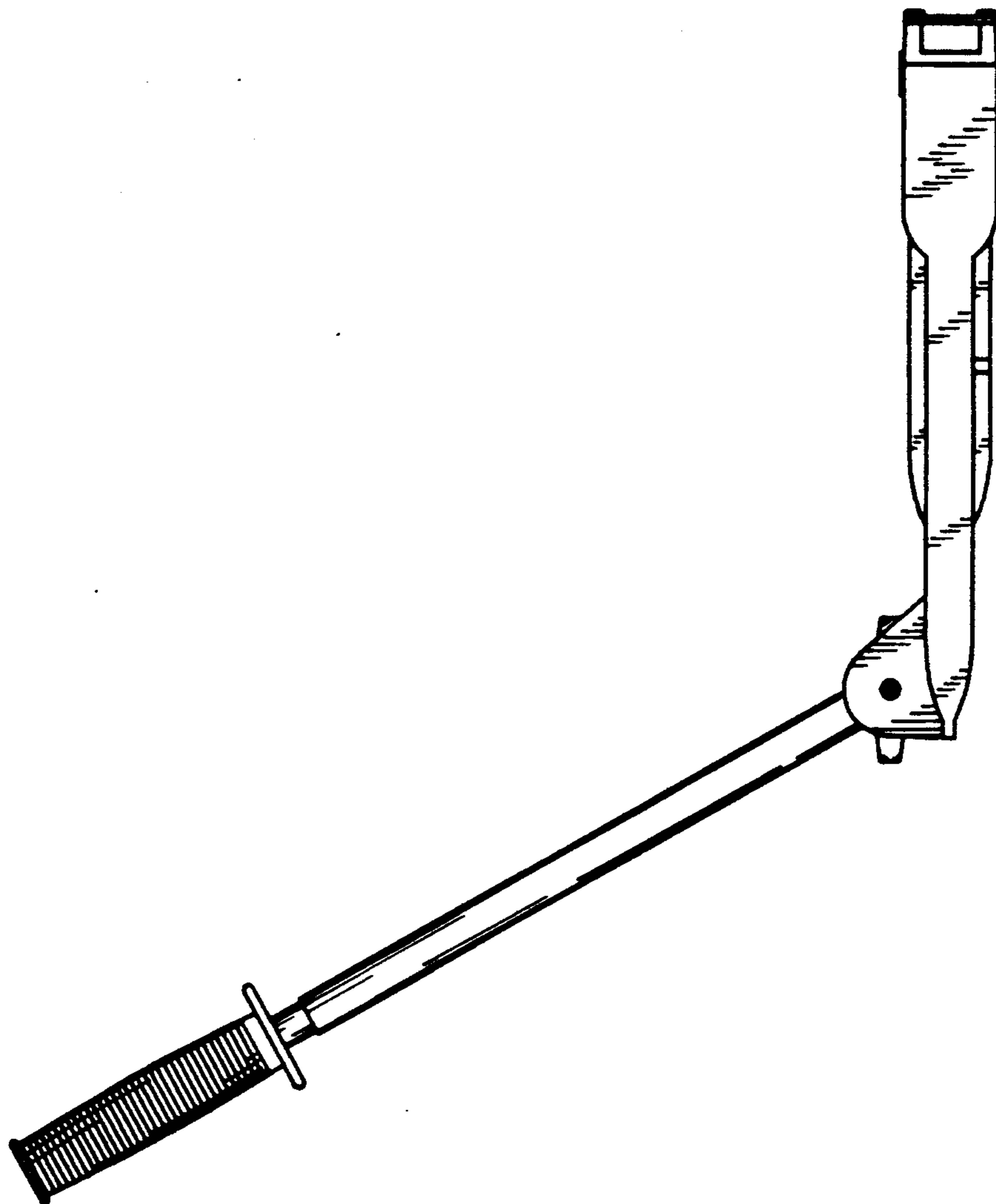


FIG. 4

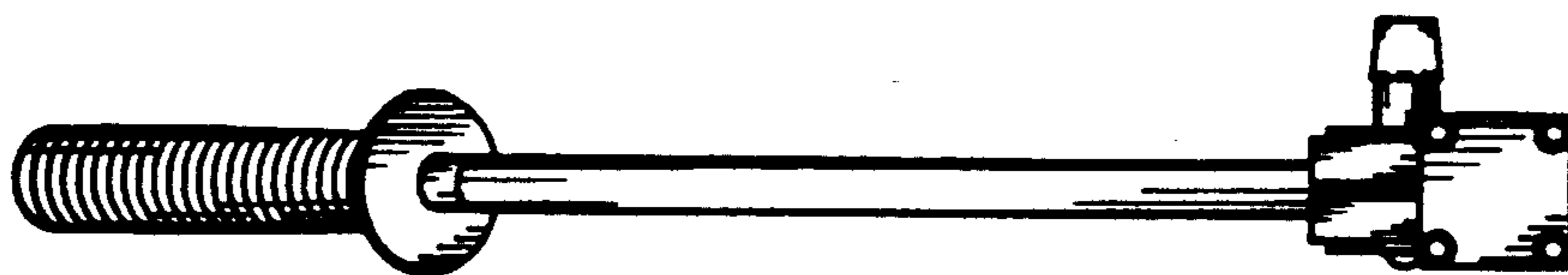


FIG. 7

