



US00D343611S

United States Patent [19]

Hubbard

[11] Patent Number: **Des. 343,611**

[45] Date of Patent: **** Jan. 25, 1994**

[54] **BELT CONVEYOR MATERIAL FLOW INDICATOR SWITCH**

[75] Inventor: **Brent F. Hubbard, Sacramento, Calif.**

[73] Assignee: **A. Teichert And Son, Inc., Sacramento, Calif.**

[**] Term: **14 Years**

[21] Appl. No.: **915,954**

[22] Filed: **Jul. 20, 1992**

[52] U.S. Cl. **D13/158; 34/29**

[58] Field of Search **73/861; 200/61.58 R, 200/61.09; 198/501.1, 502.4; D13/158, 171; D34/29**

[56] **References Cited**

U.S. PATENT DOCUMENTS

Re. 30,551	3/1981	Hurt et al.	198/502.4
D. 247,289	2/1978	Christiansen	D34/29
1,793,190	2/1931	Philips	D34/29

FOREIGN PATENT DOCUMENTS

0226853	9/1985	Fed. Rep. of Germany ...	198/502.1
3629489	3/1988	Fed. Rep. of Germany ...	198/502.1
0269595	7/1989	Fed. Rep. of Germany ...	198/502.1

OTHER PUBLICATIONS

Conveyer idler on p. 16 of *Continental Conveyer & Equipment Company Engineering Book 641*.

Primary Examiner—Wallace R. Burke
Assistant Examiner—Joel Sincavage
Attorney, Agent, or Firm—Lothrop & West

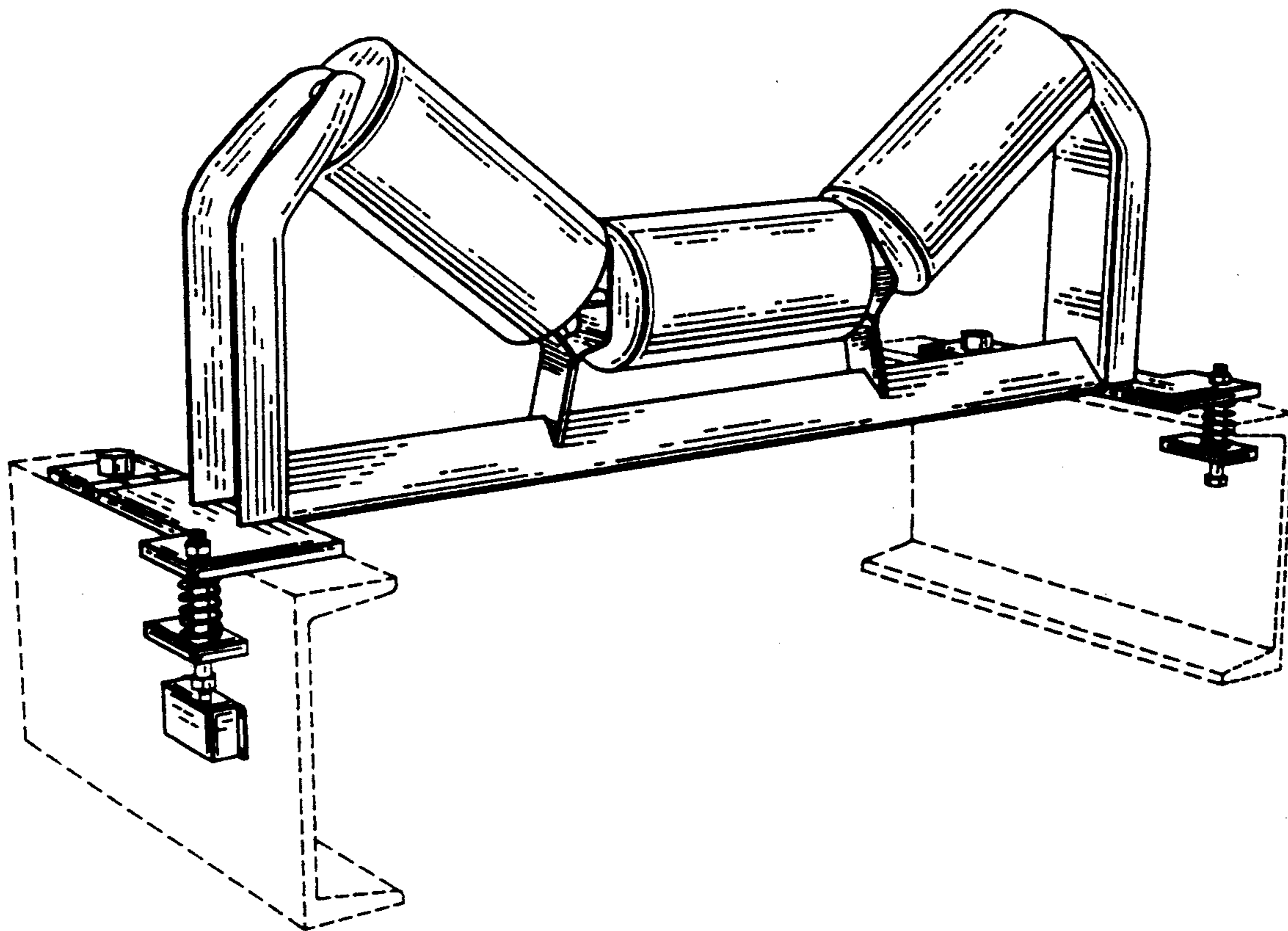
[57] **CLAIM**

The ornamental design for a belt conveyor material flow indicator switch, as shown and described.

DESCRIPTION

FIG. 1 is a rear perspective view of a belt conveyor material flow indicator switch, showing my new design; FIG. 2 is a front elevational view thereof, the rear elevational view being a mirror image of the figure shown; FIG. 3 is a top plan view thereof; FIG. 4 is a bottom plan view thereof; FIG. 5 is a right side elevational view thereof; FIG. 6 is a left side elevational view thereof; and, FIG. 7 is a right side elevational view thereof, similar to FIG. 5 but with the hinge plates and plungers in slightly angularly elevated position under upwardly urgency of the expansion springs in unloaded condition of the belt conveyor and with resultant separation of the right hand plunger from the microswitch.

The broken lines in FIGS. 1, 2, 5, 6 and 7 illustrate the environment and form no part of the design.



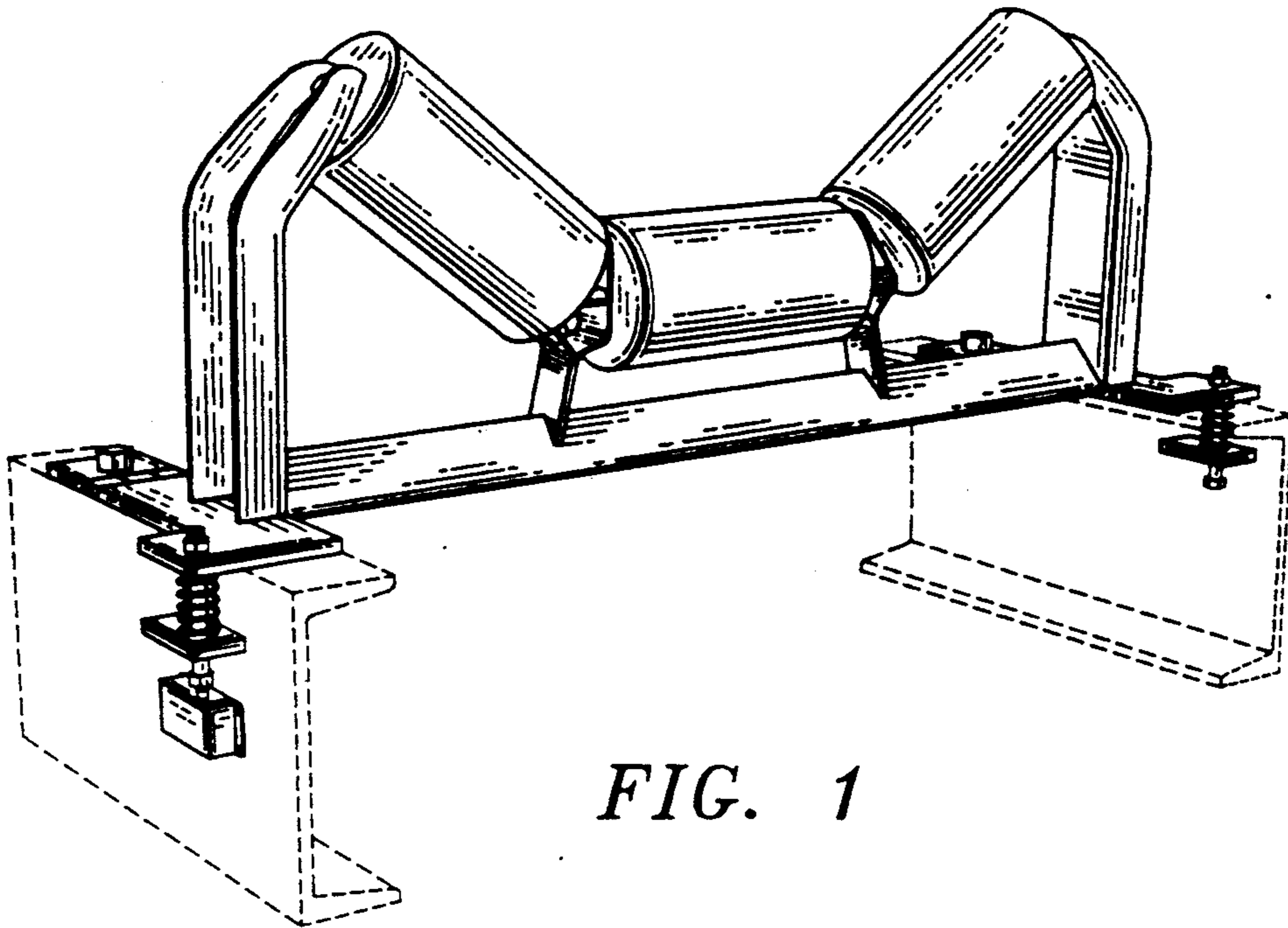


FIG. 1

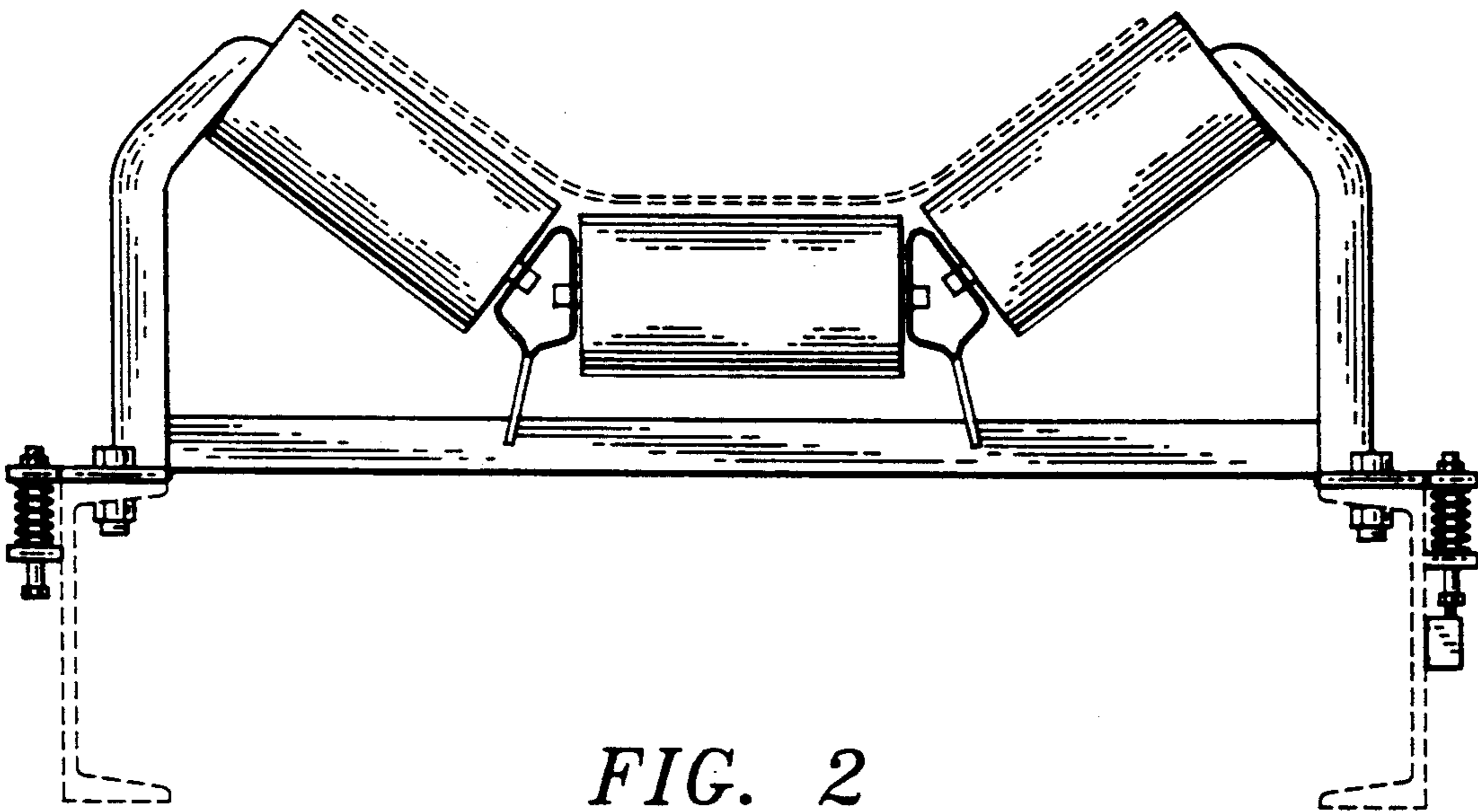


FIG. 2

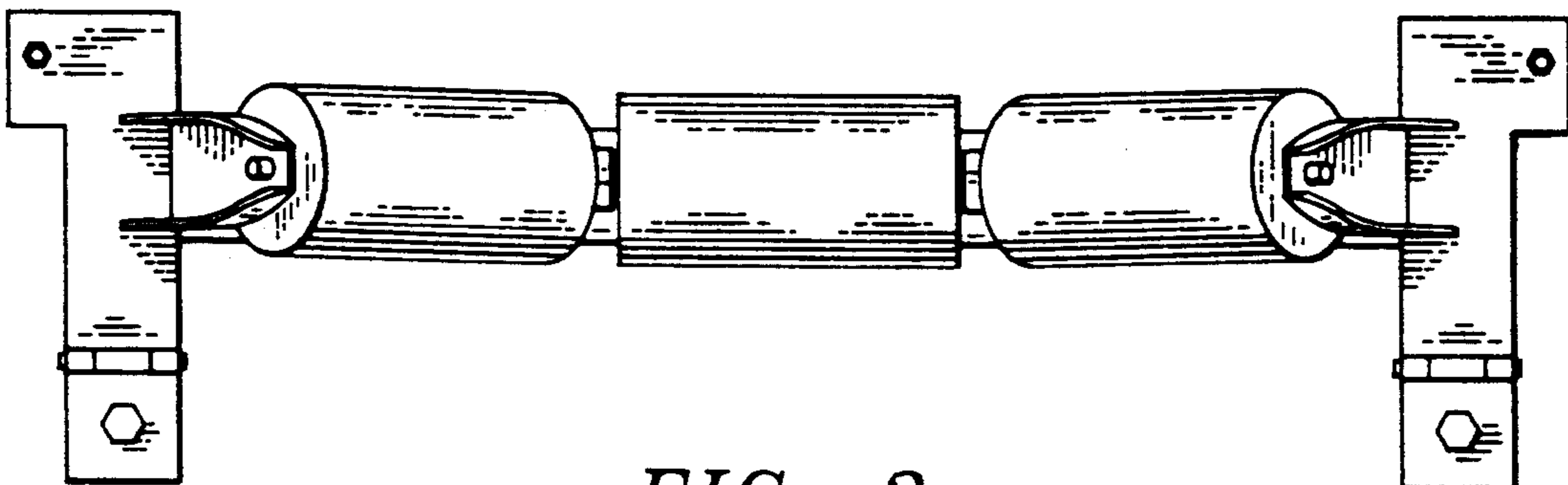


FIG. 3

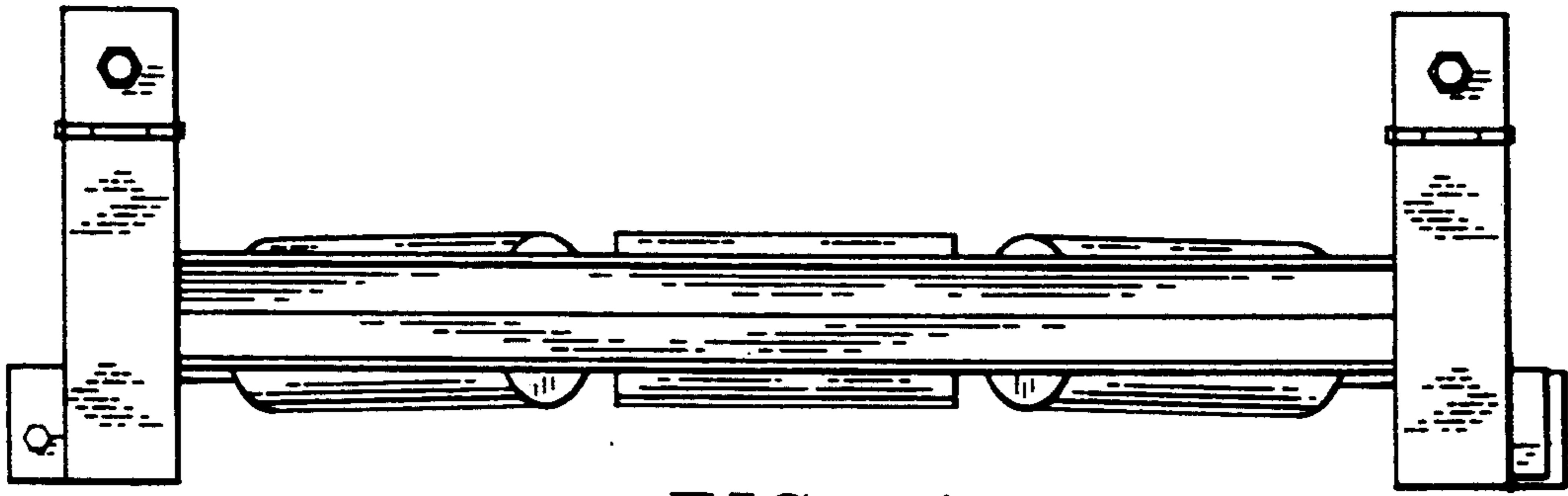


FIG. 4

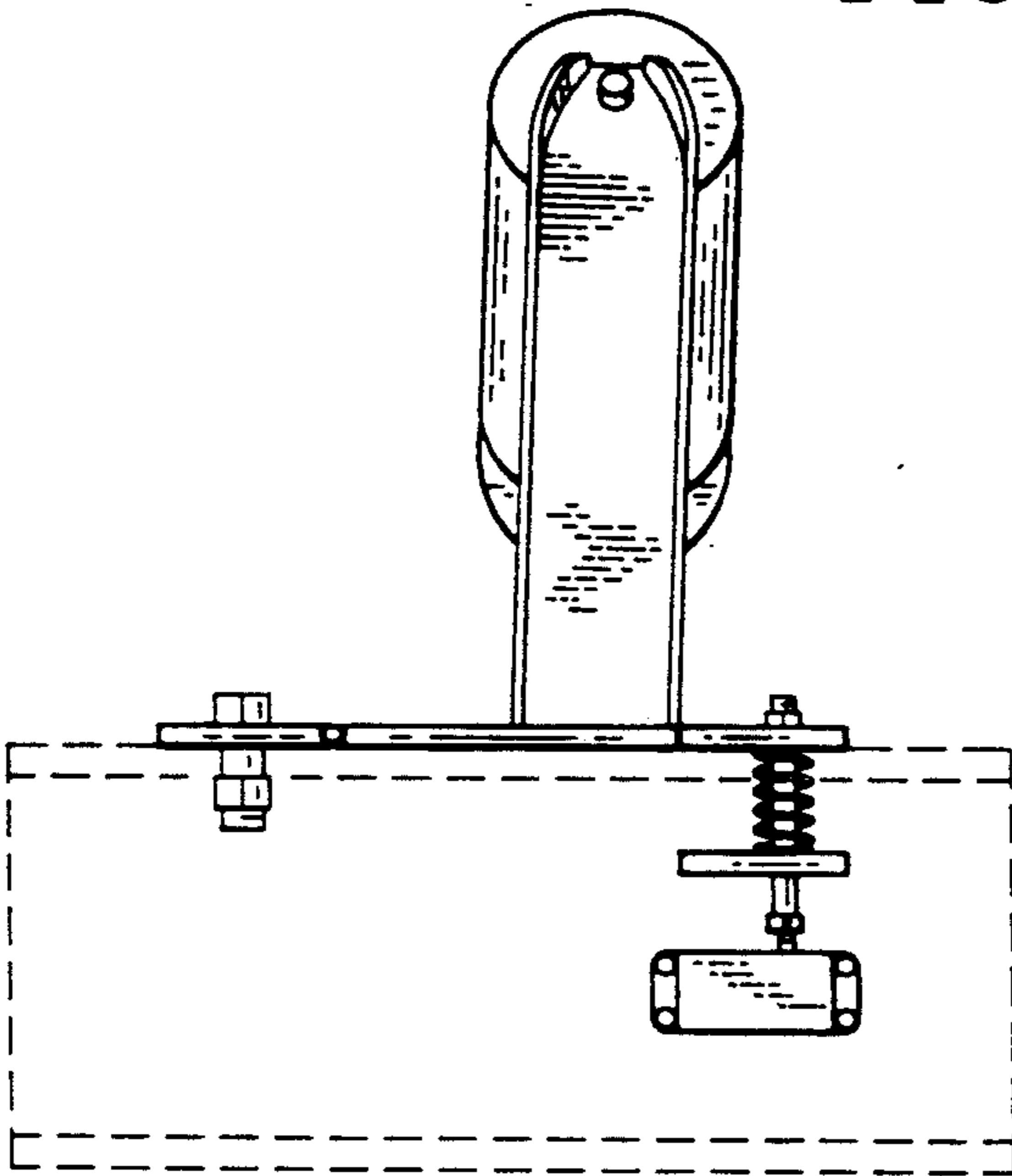


FIG. 5

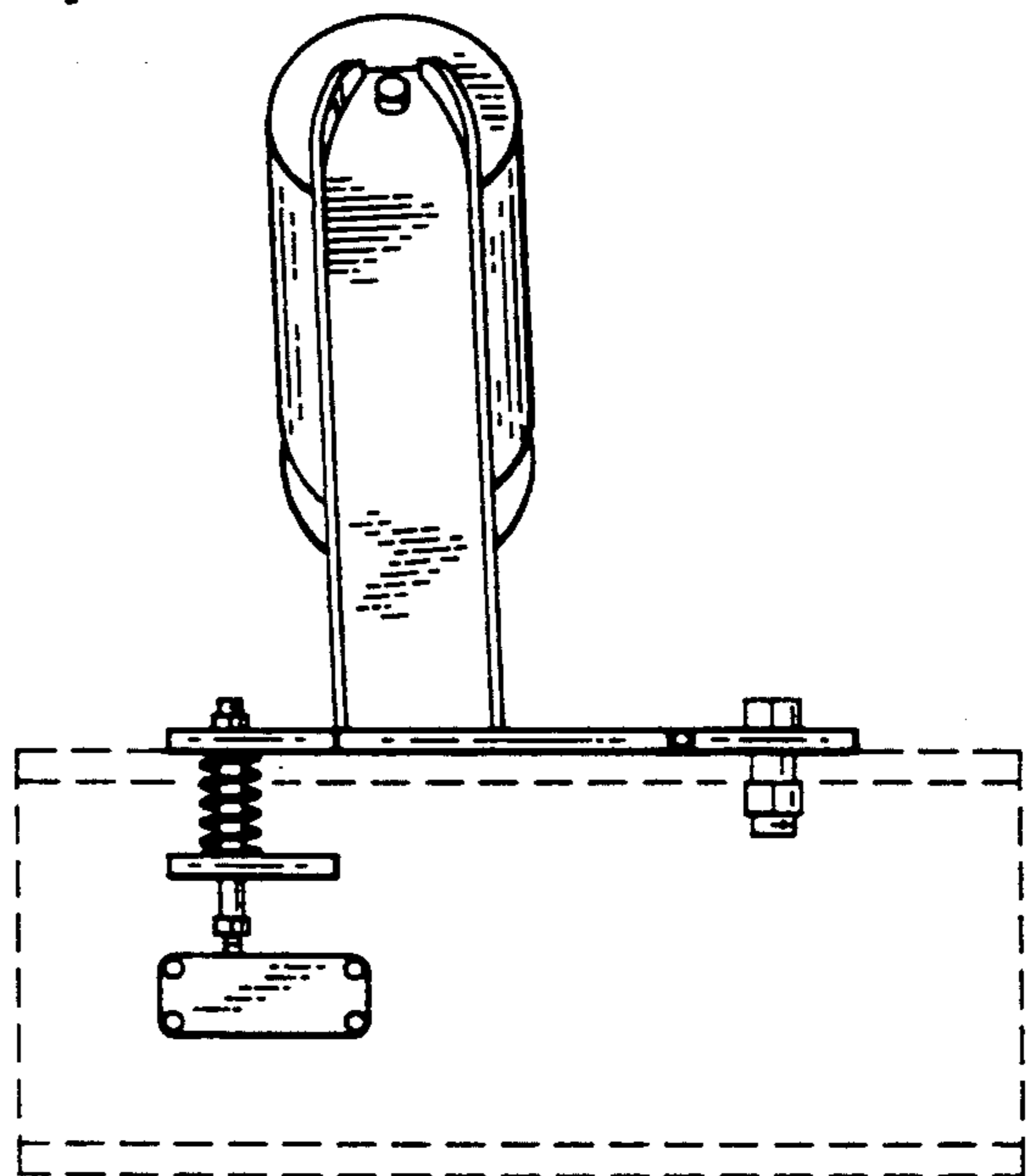


FIG. 6

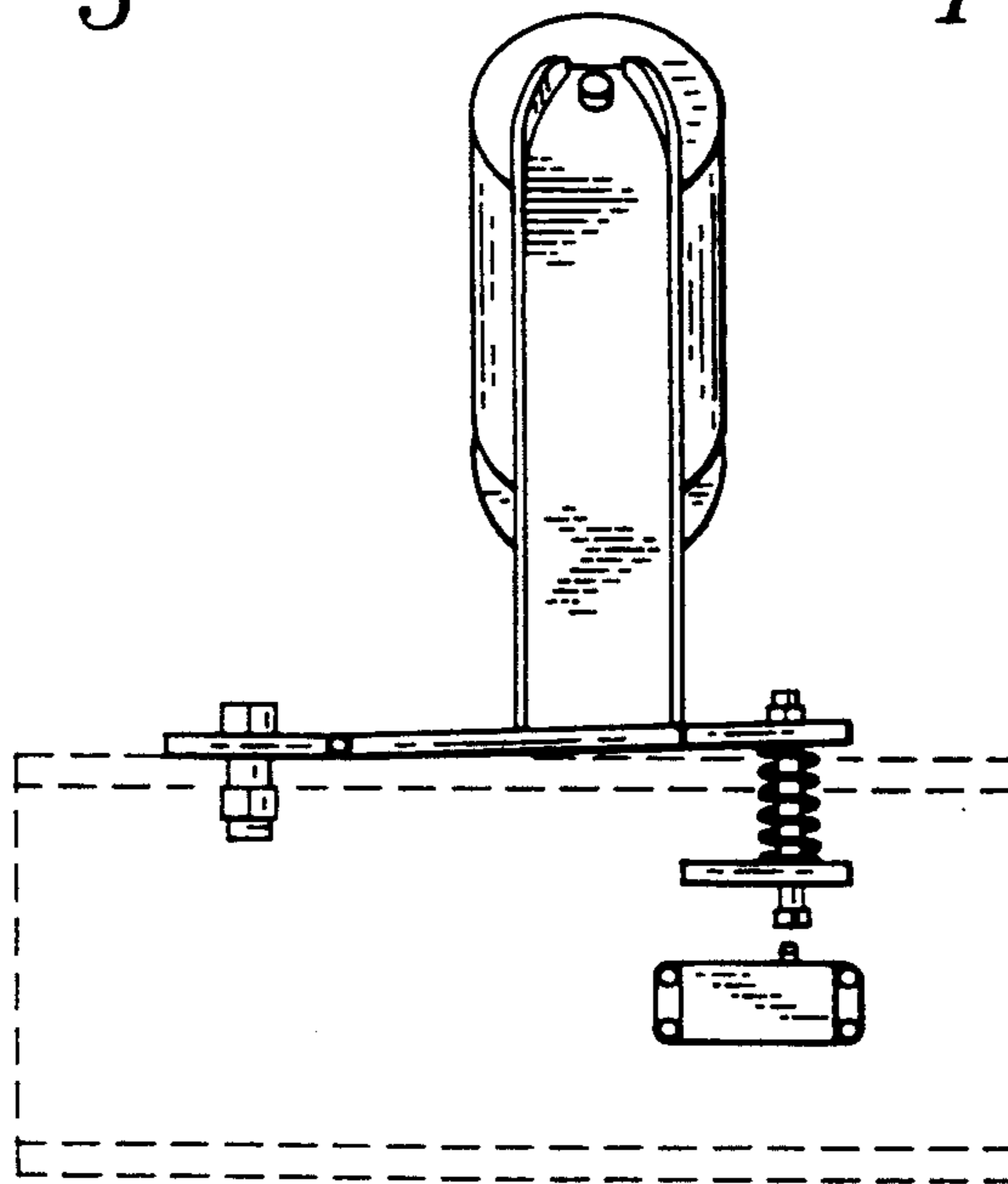


FIG. 7