



US00D343609S

United States Patent [19]

[11] Patent Number: **Des. 343,609**

Lane

[45] Date of Patent: **** Jan. 25, 1994**

[54] MANUALLY POWERED SKI

[76] Inventor: **Anthony J. Lane**, 7 Newbold Close, Thirroul, New South Wales, 2515, Australia

[**] Term: **14 Years**

[21] Appl. No.: **891,477**

[22] Filed: **Jun. 2, 1992**

[30] Foreign Application Priority Data

Dec. 2, 1991 [AU] Australia	3718/91
[52] U.S. Cl.	D12/304; D12/306; D21/236
[58] Field of Search	114/61, 63; 440/27, 440/35; D12/300, 306, 304

[56] References Cited

U.S. PATENT DOCUMENTS

D. 187,357	3/1960	Silva	D12/306
D. 299,123	12/1988	Olafsen	D12/300
3,352,276	11/1967	Zimmerman	114/61
3,809,003	5/1974	Foldvari	D12/306

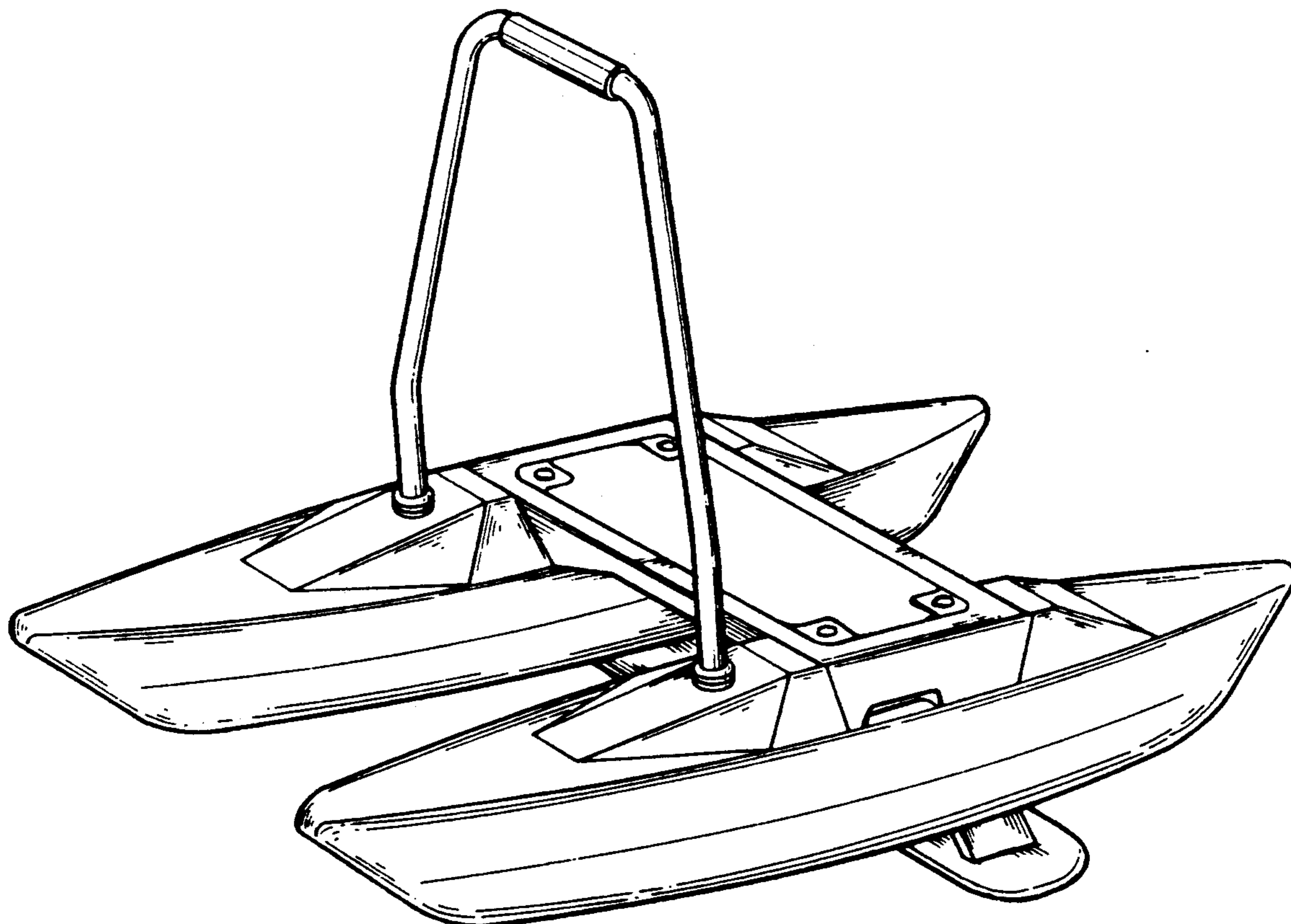
Primary Examiner—Kay H. Chin

[57] CLAIM

The ornamental design for a manually powered ski, as shown and described.

DESCRIPTION

FIG. 1 is a perspective view of a manually powered ski showing my new design;
 FIG. 2 is a view of one side thereof;
 FIG. 3 is a view of the other side thereof;
 FIG. 4 is a plan view thereof;
 FIG. 5 is a rear view thereof; and,
 FIG. 6 is a front view thereof.



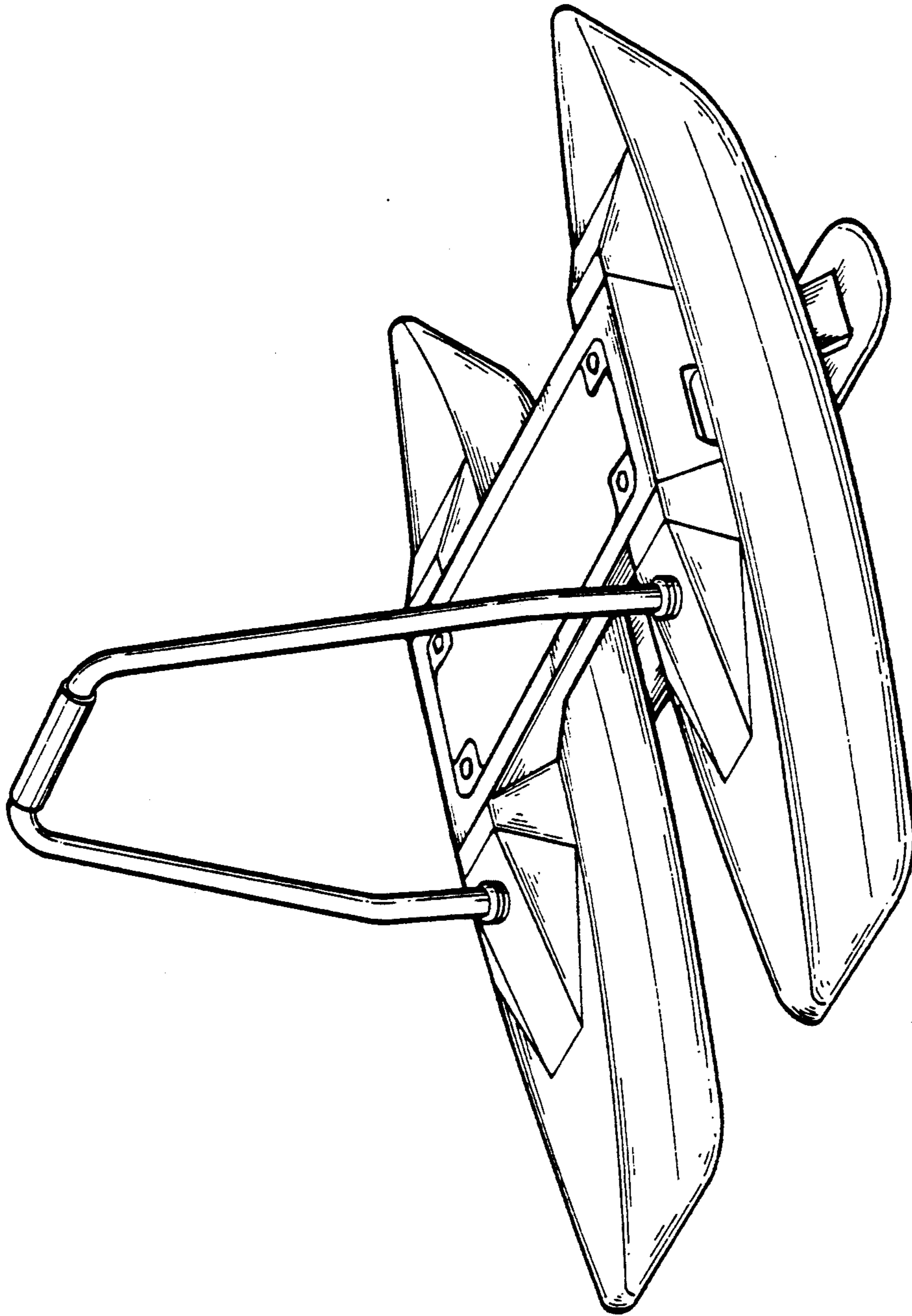


FIGURE 1

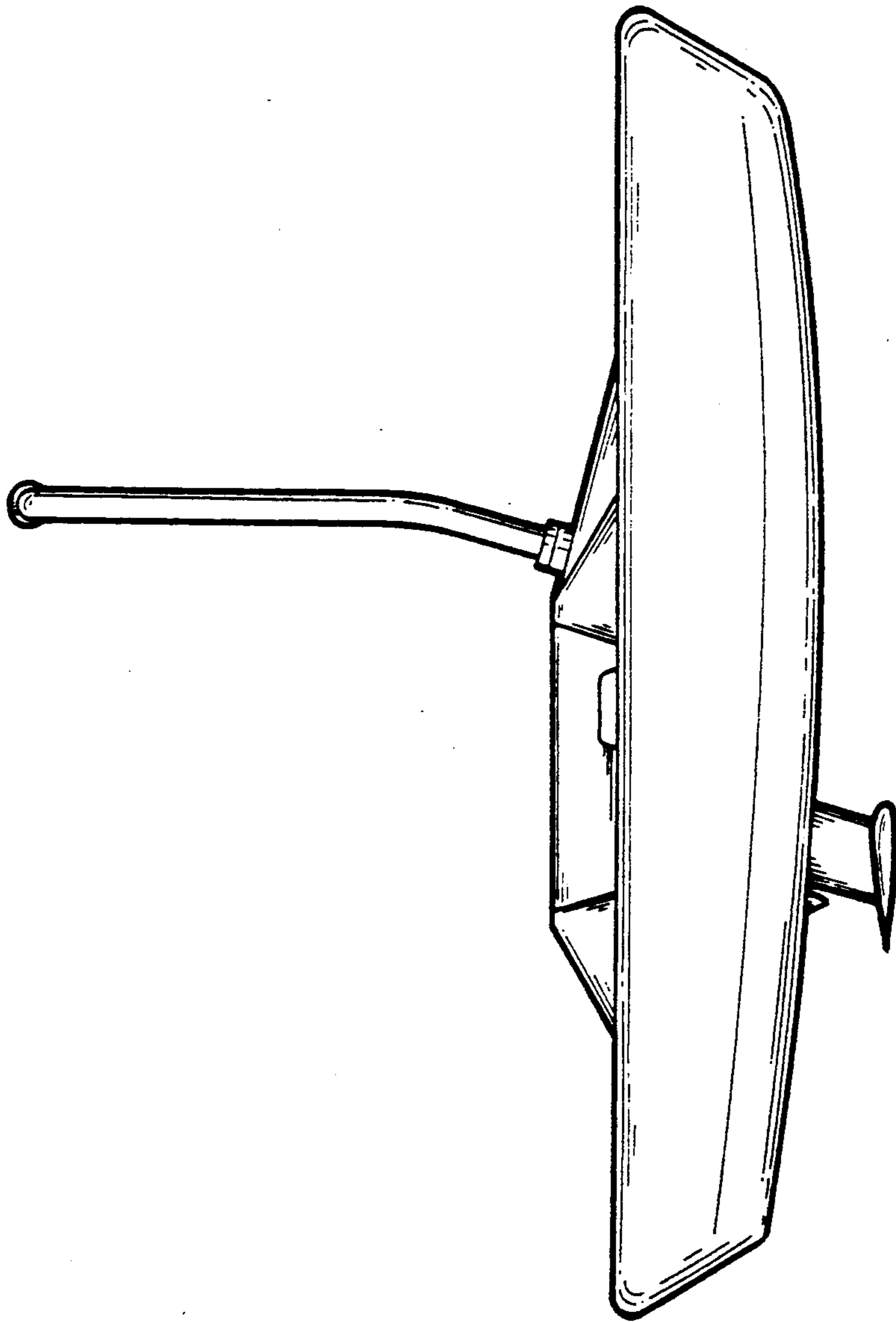


FIGURE 2

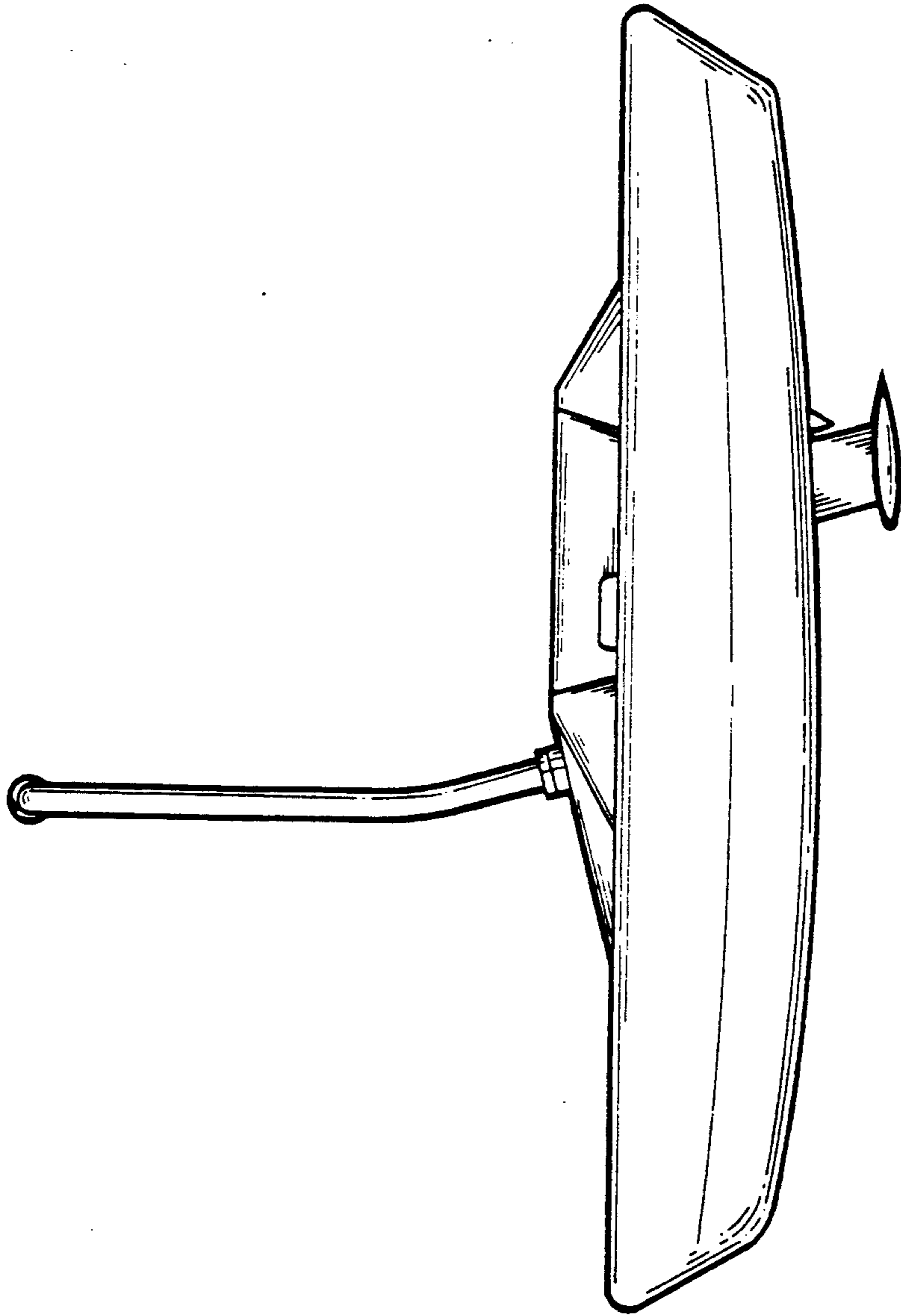


FIGURE 3

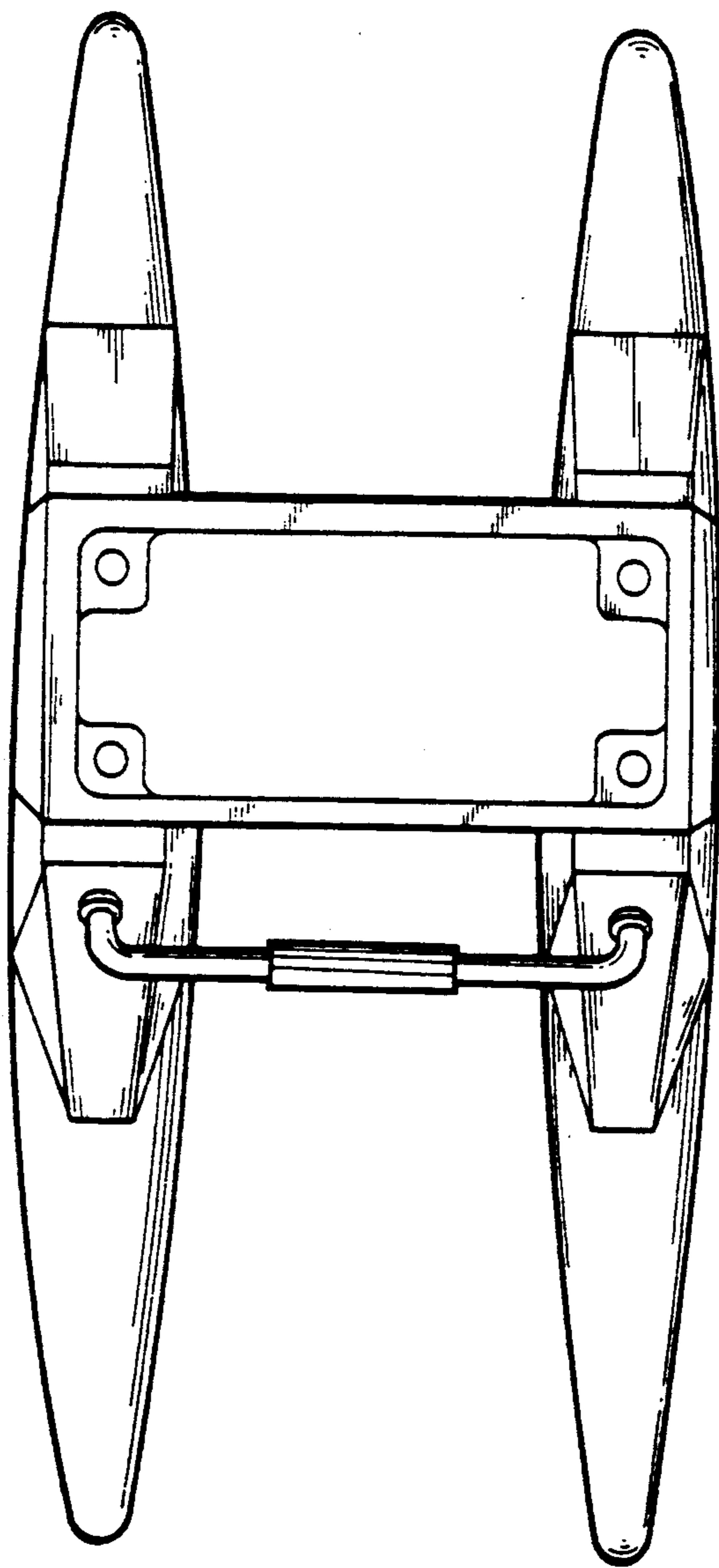


FIGURE 4

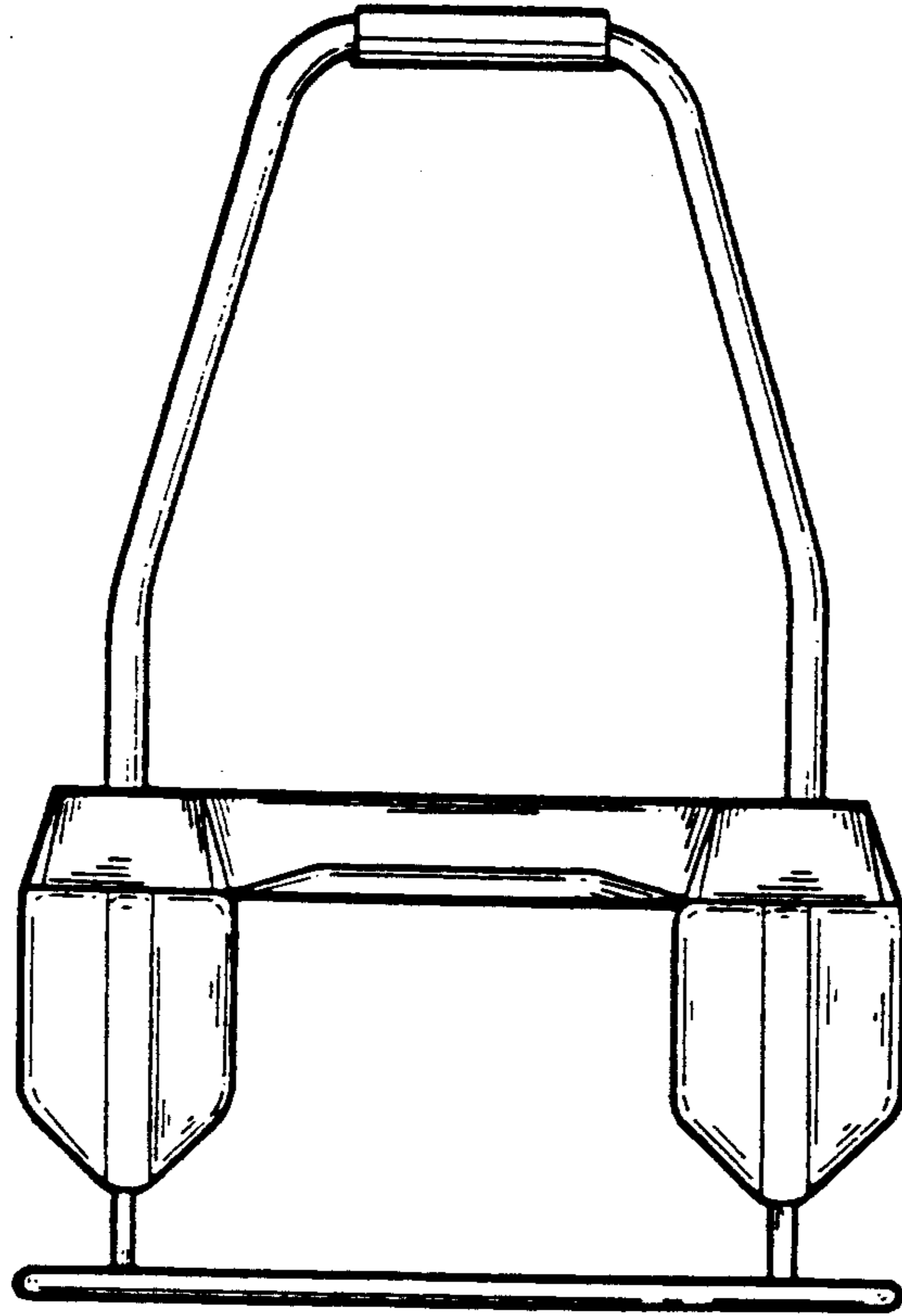


FIGURE 5

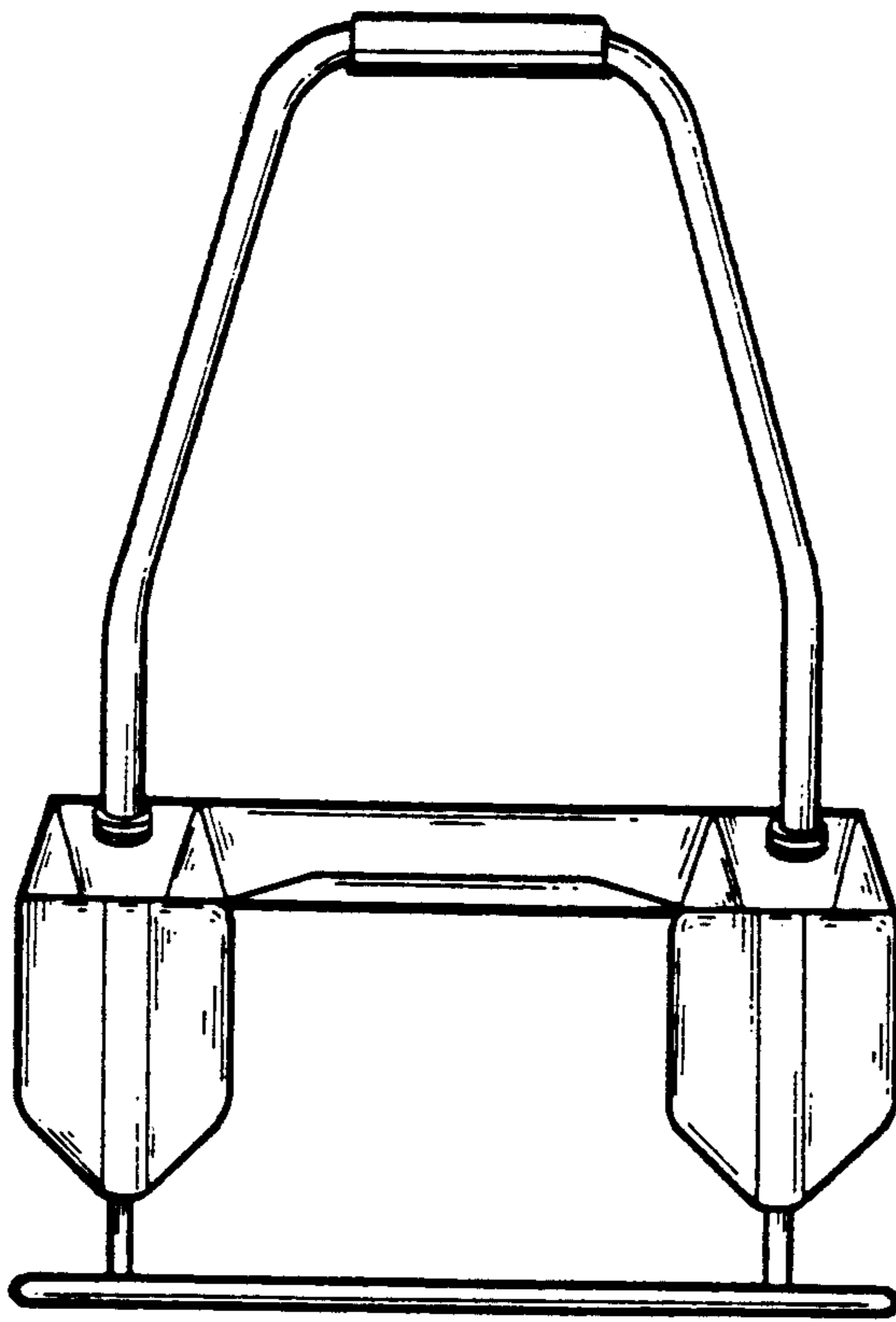


FIGURE 6