



US00D343602S

United States Patent [19]

[11] Patent Number: Des. 343,602

Brown

[45] Date of Patent: ** Jan. 25, 1994

[54] PICKUP TRUCK BOX COVER EXTERIOR SURFACE

3,012,814 12/1961 Penner 296/100

[75] Inventor: Martin Brown, Drinkwater, Canada

Primary Examiner—James M. Gandy
Attorney, Agent, or Firm—Murray E. Thrift; Stanley G. Ade; Adrian D. Battison

[73] Assignee: Brown Industries (1976) Ltd.,
Drinkwater, Canada

[**] Term: 14 Years

[21] Appl. No.: 822,567

[22] Filed: Jan. 17, 1992

[57] CLAIM

The ornamental design for a pickup truck box cover exterior surface, as shown and described.

Related U.S. Application Data

[62] Division of Ser. No. 729,623, Jul. 15, 1991, abandoned.

[52] U.S. Cl. D12/156

[58] Field of Search 296/99.1, 100; D12/156

DESCRIPTION

FIG. 1 is a top plan view of a pickup truck box cover exterior surface showing my new design;

FIG. 2 is a right side elevational view thereof, the left side elevation being a mirror image of the right side elevation;

FIG. 3 is a rear elevational view thereof;

FIG. 4 is a front elevational view thereof; and,

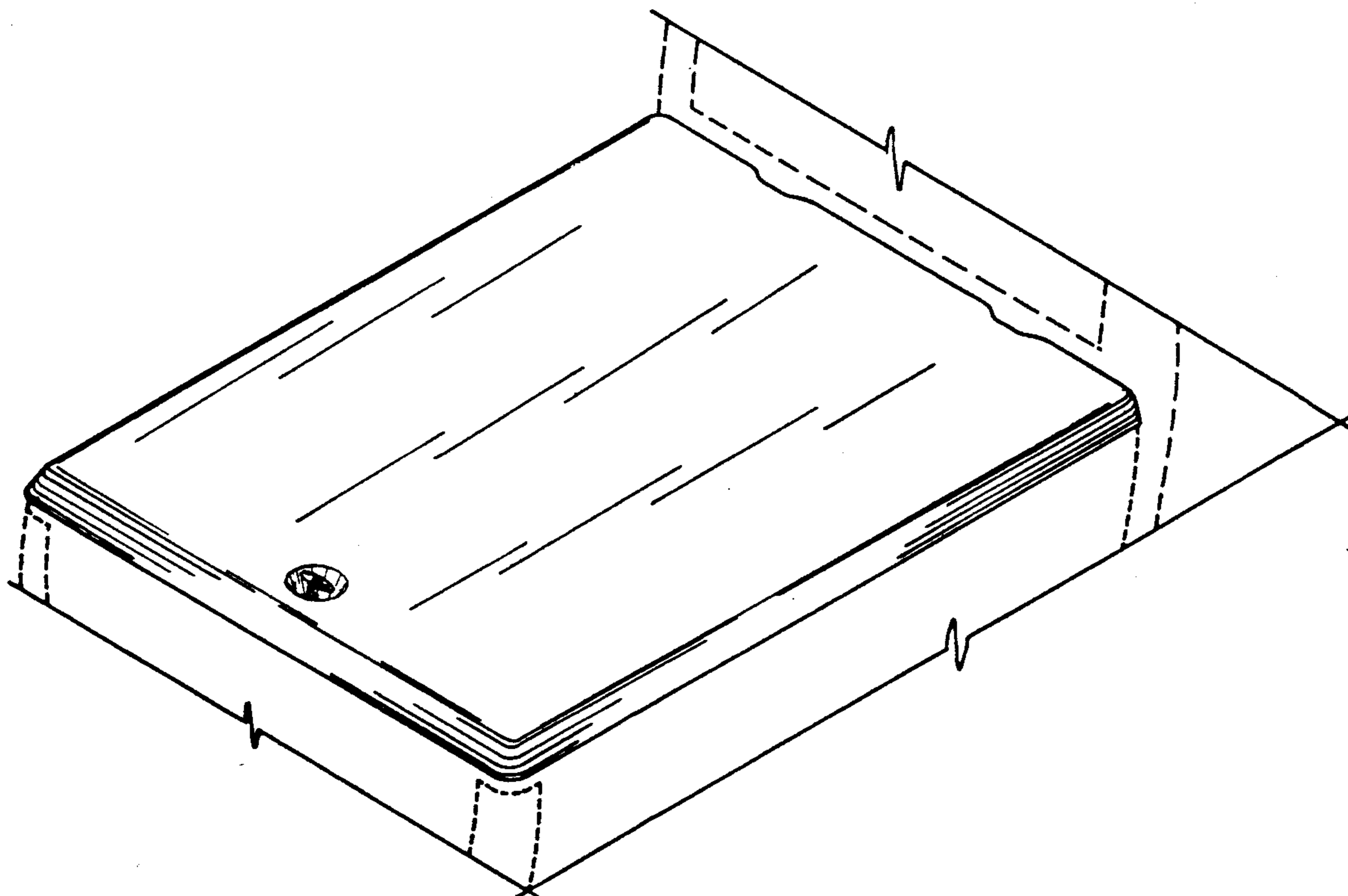
FIG. 5 is a perspective view thereof with broken lines indicating adjacent portions of a truck box and a truck cab being for illustrative purposes only and forming no part of the claimed design.

[56] References Cited

U.S. PATENT DOCUMENTS

D. 181,736 12/1957 Lee D12/156

D. 310,987 10/1990 Law et al. D12/156



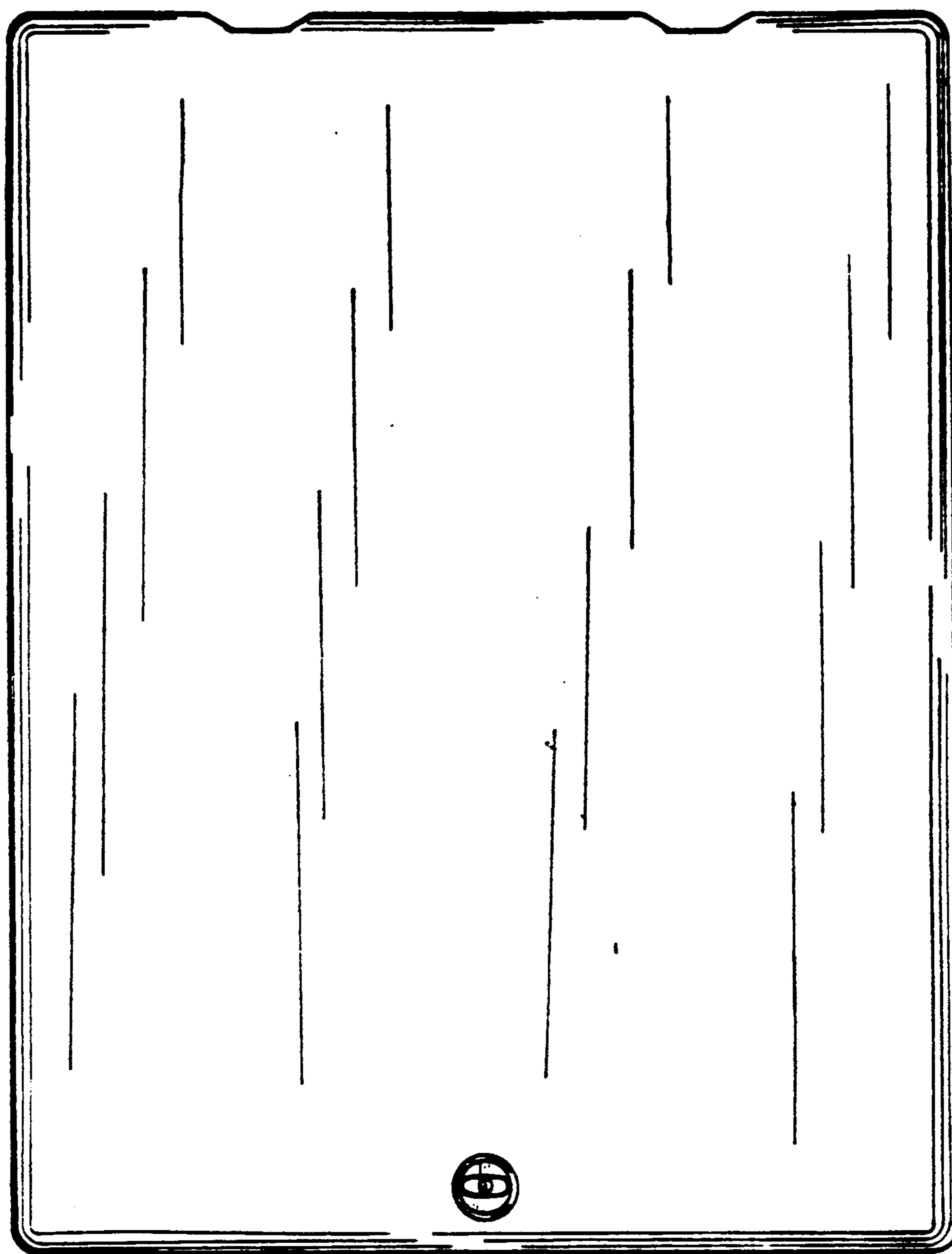


FIG. 1



FIG. 2



FIG. 3



FIG. 4

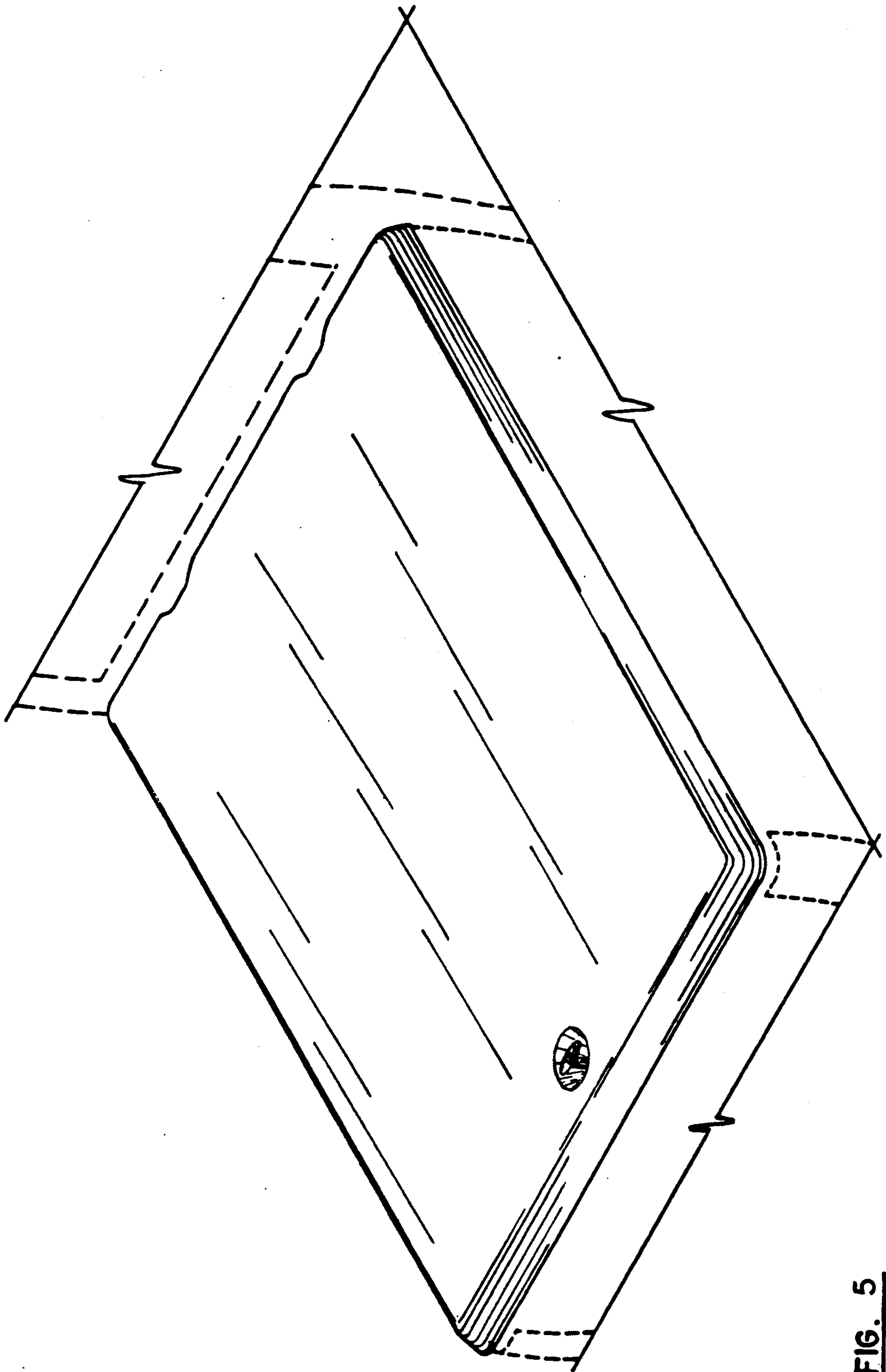


FIG. 5