



US00D343601S

# United States Patent [19]

[11] Patent Number: **Des. 343,601**

**Brady**

[45] Date of Patent: **\*\* Jan. 25, 1994**

## [54] VEHICLE MOUNTABLE TOOL HOLDER

[76] Inventor: **Niles R. Brady, 3611 NE. 143rd Ave., Vancouver, Wash. 98682**

[\*\*] Term: **14 Years**

[21] Appl. No.: **854,961**

[22] Filed: **Mar. 20, 1992**

[52] U.S. Cl. .... **D12/155**

[58] Field of Search ..... **D3/40; D7/550, 553; 296/37.1, 37.13; 224/273, 42.42, 42.45 R, 42.46 R, 42.11; 108/46, 47; D12/155, 157**

### [56] References Cited

#### U.S. PATENT DOCUMENTS

D. 327,200	6/1992	Szablak et al. ....	D7/550
2,179,273	11/1939	Ponten et al. ....	108/46
4,756,500	7/1988	Baker .....	248/240
4,762,258	8/1988	Murphy .....	224/273
4,911,083	3/1990	Considine .....	100/44

## FOREIGN PATENT DOCUMENTS

2113540 8/1983 United Kingdom ..... 108/46

*Primary Examiner*—James M. Gandy

*Attorney, Agent, or Firm*—Terry M. Gernstein

## [57] CLAIM

The ornamental design for a vehicle mountable tool holder, as shown and described.

## DESCRIPTION

FIG. 1 is a perspective view of the vehicle mountable tool holder embodying the design of the present invention;

FIG. 2 is a front end elevational view thereof;

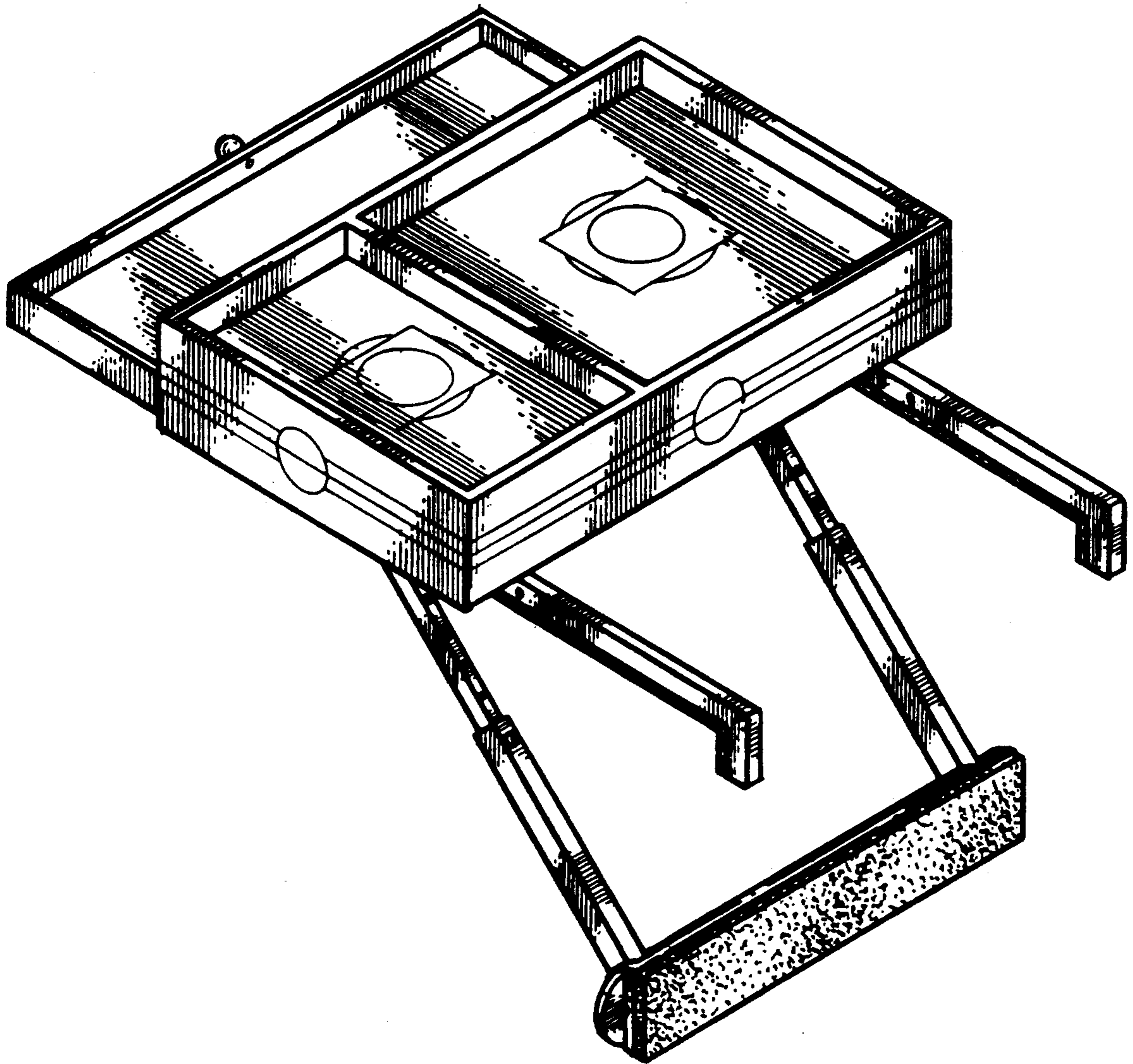
FIG. 3 is a rear end elevational view thereof;

FIG. 4 is a side elevational view thereof;

FIG. 5 is a side elevational view thereof;

FIG. 6 is a top plan view thereof; and,

FIG. 7 is a bottom view thereof.



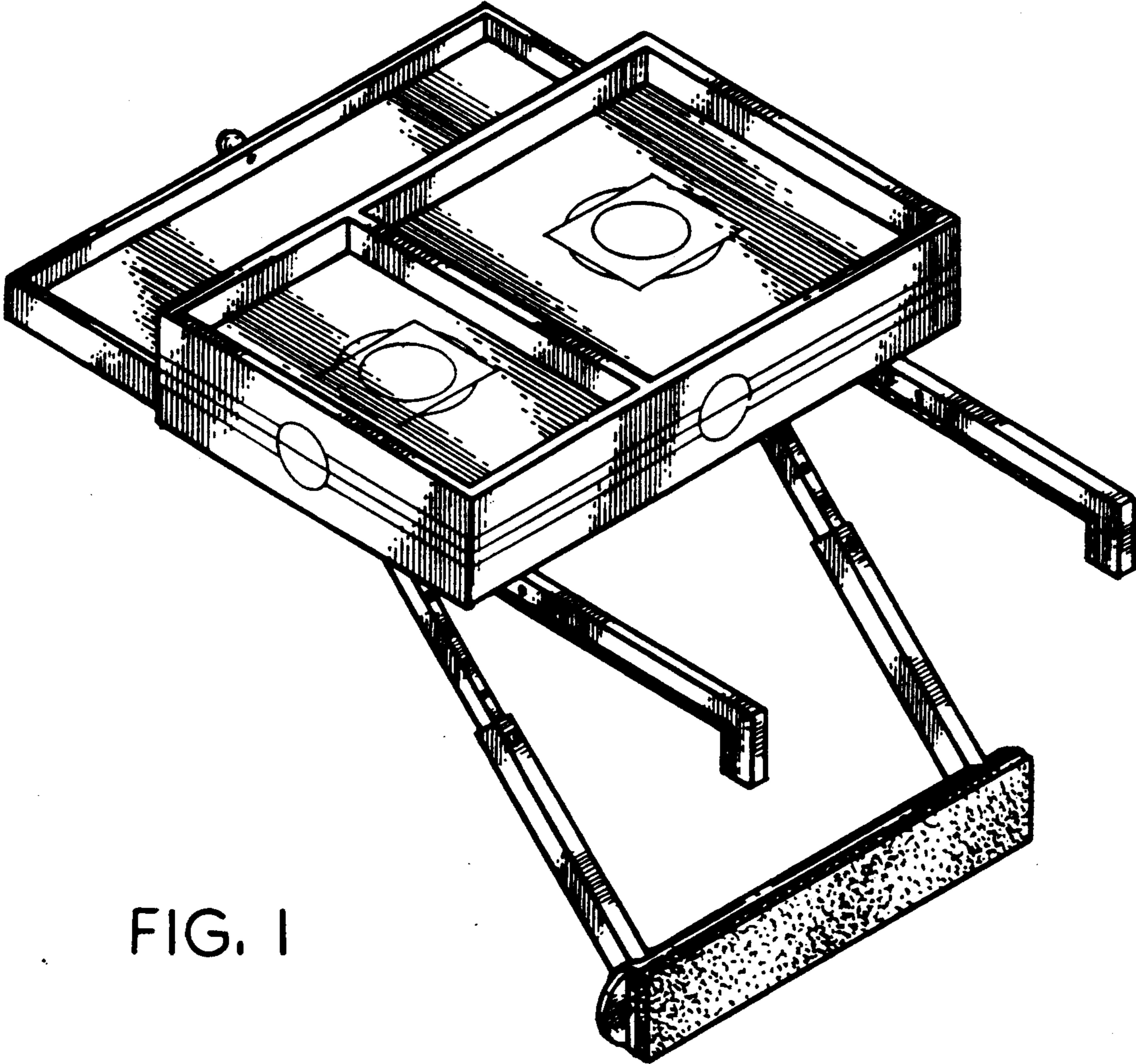


FIG. 1

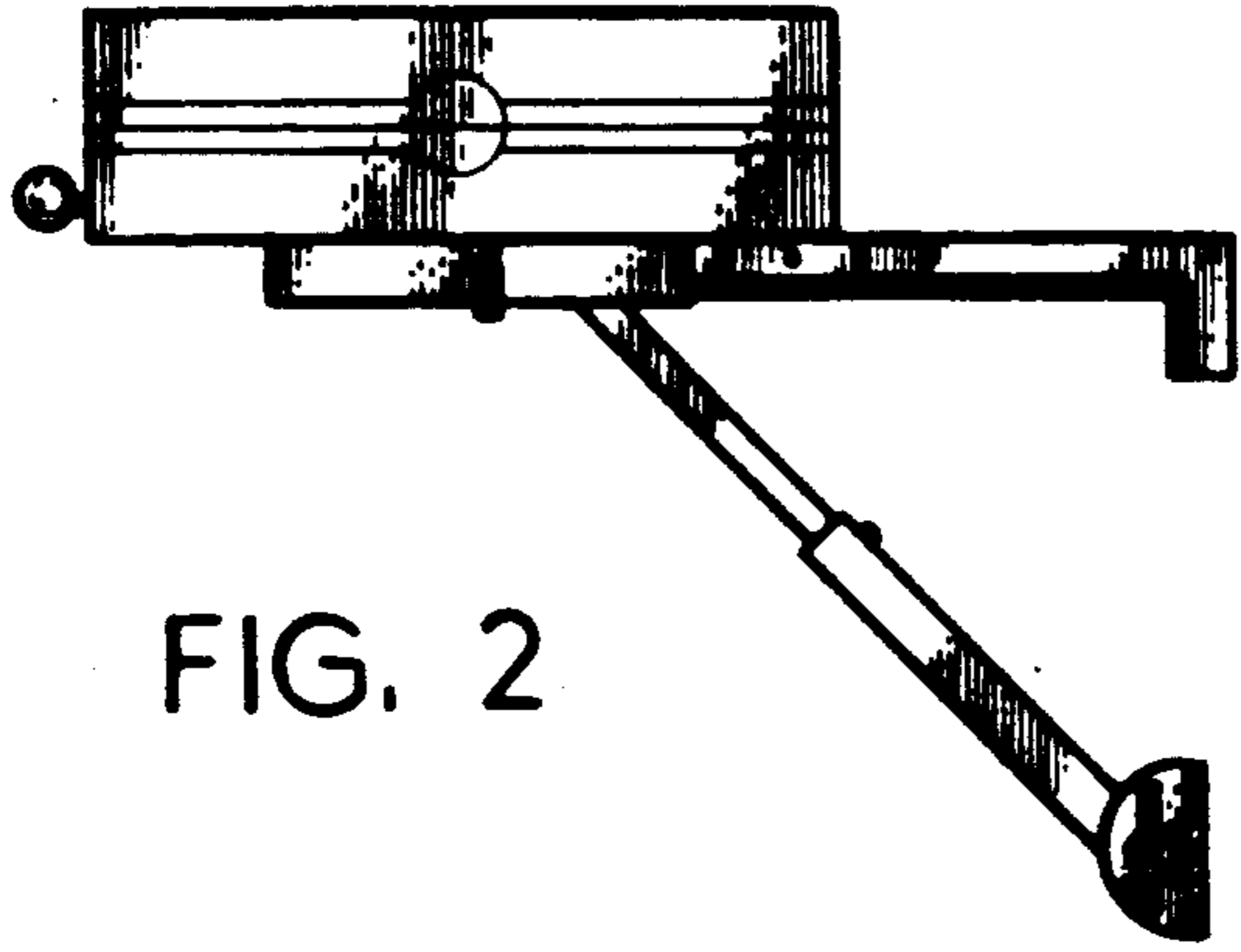


FIG. 2

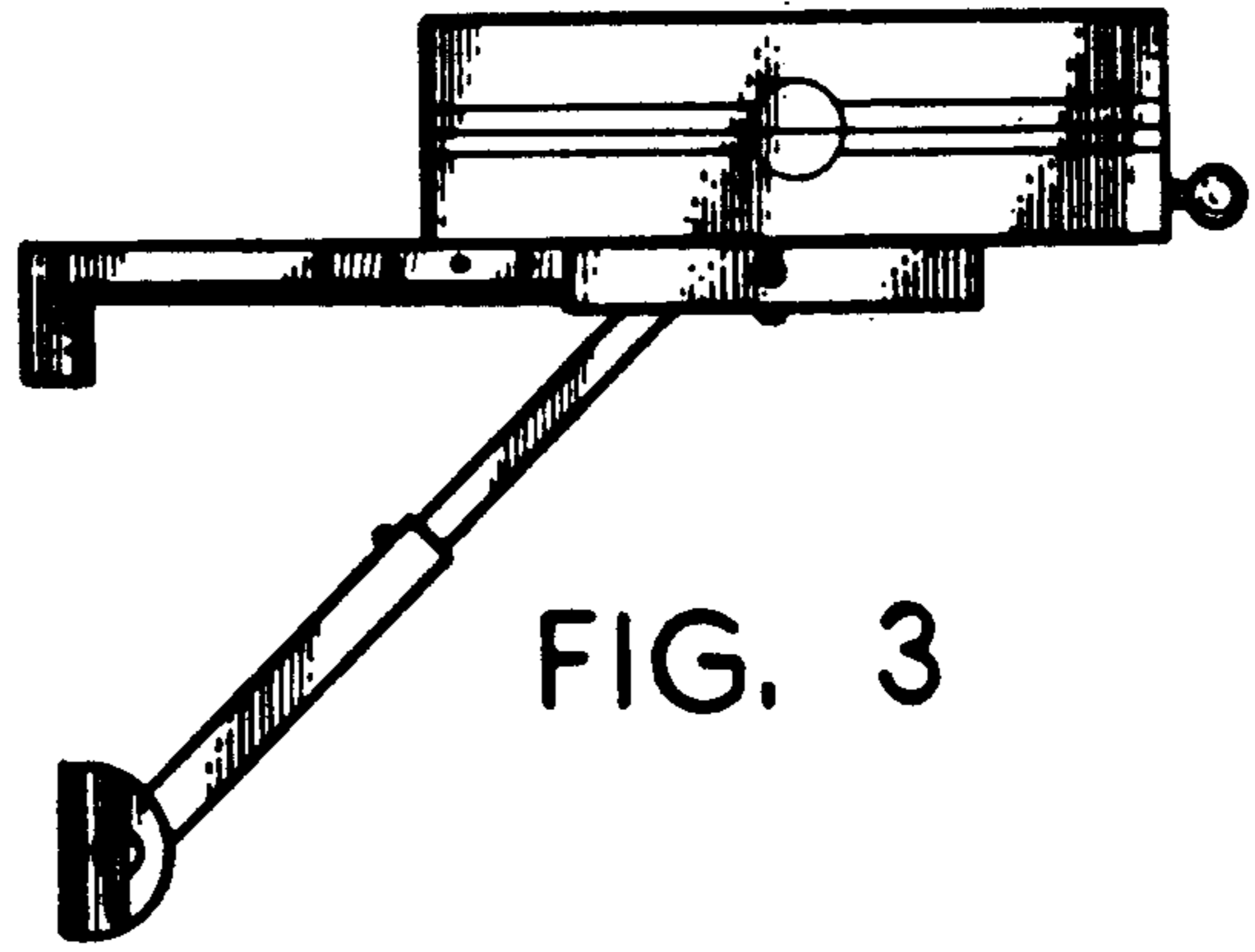


FIG. 3

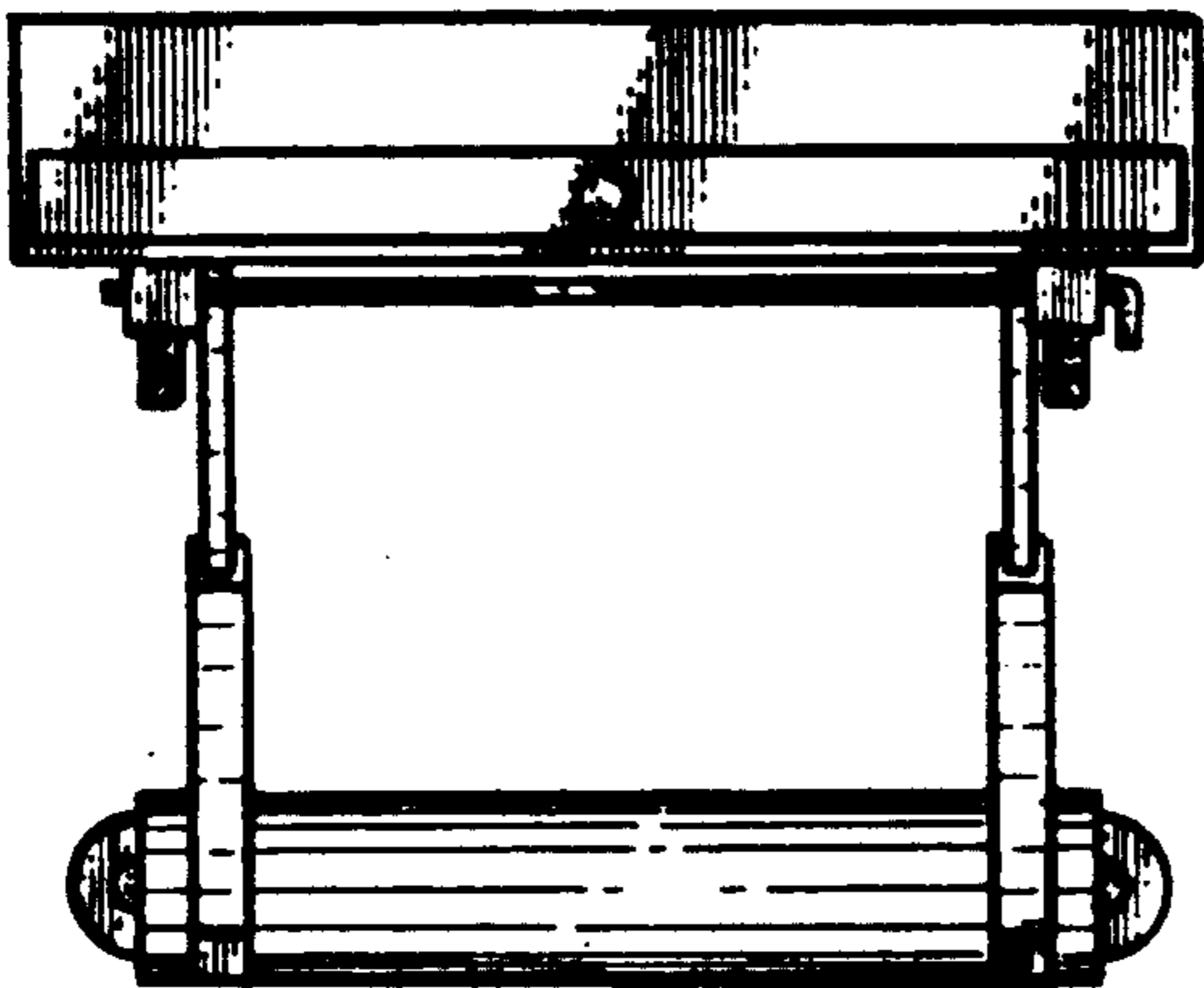


FIG. 4

FIG. 6

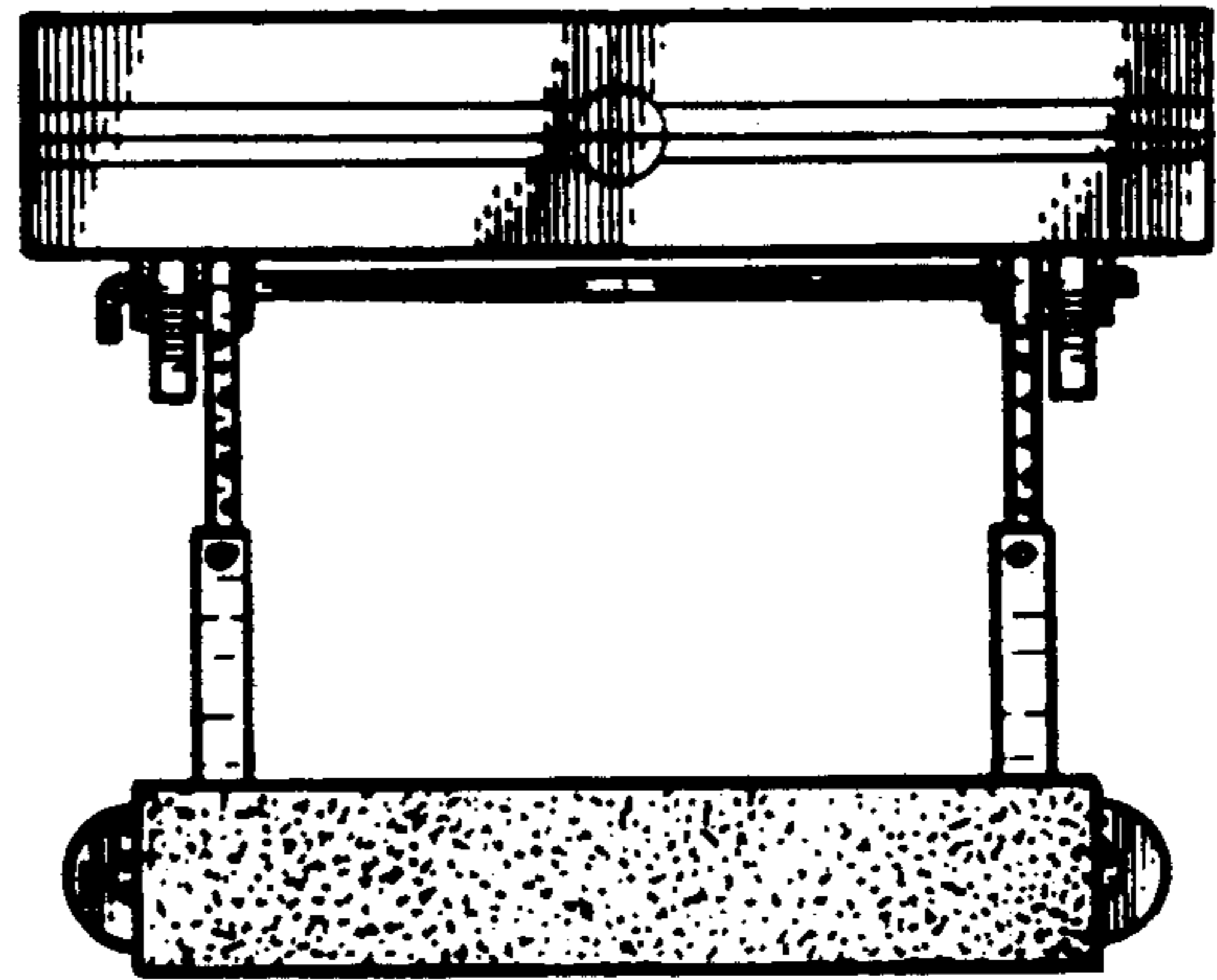


FIG. 5

FIG. 7

