



US00D343600S

# United States Patent [19]

[11] Patent Number: **Des. 343,600**

Moore

[45] Date of Patent: **\*\* Jan. 25, 1994**

[54] **BICYCLE FRAME**

[76] Inventor: **James D. Moore**, 1823 Border Ave., Torrance, Calif. 90501

[\*\*] Term: **14 Years**

[21] Appl. No.: **925,714**

[22] Filed: **Aug. 3, 1992**

[52] U.S. Cl. .... **D12/111**

[58] Field of Search ..... 280/281.1, 288.1, 288.2, 280/288.3; D12/111

[56] **References Cited**

**U.S. PATENT DOCUMENTS**

- D. 301,130 5/1989 Brummer ..... D12/111
- D. 311,508 11/1990 Rieger et al. .... D12/111
- D. 320,962 10/1991 Savage ..... D12/111
- 5,011,172 4/1991 Bellanca et al. .... 280/288.3

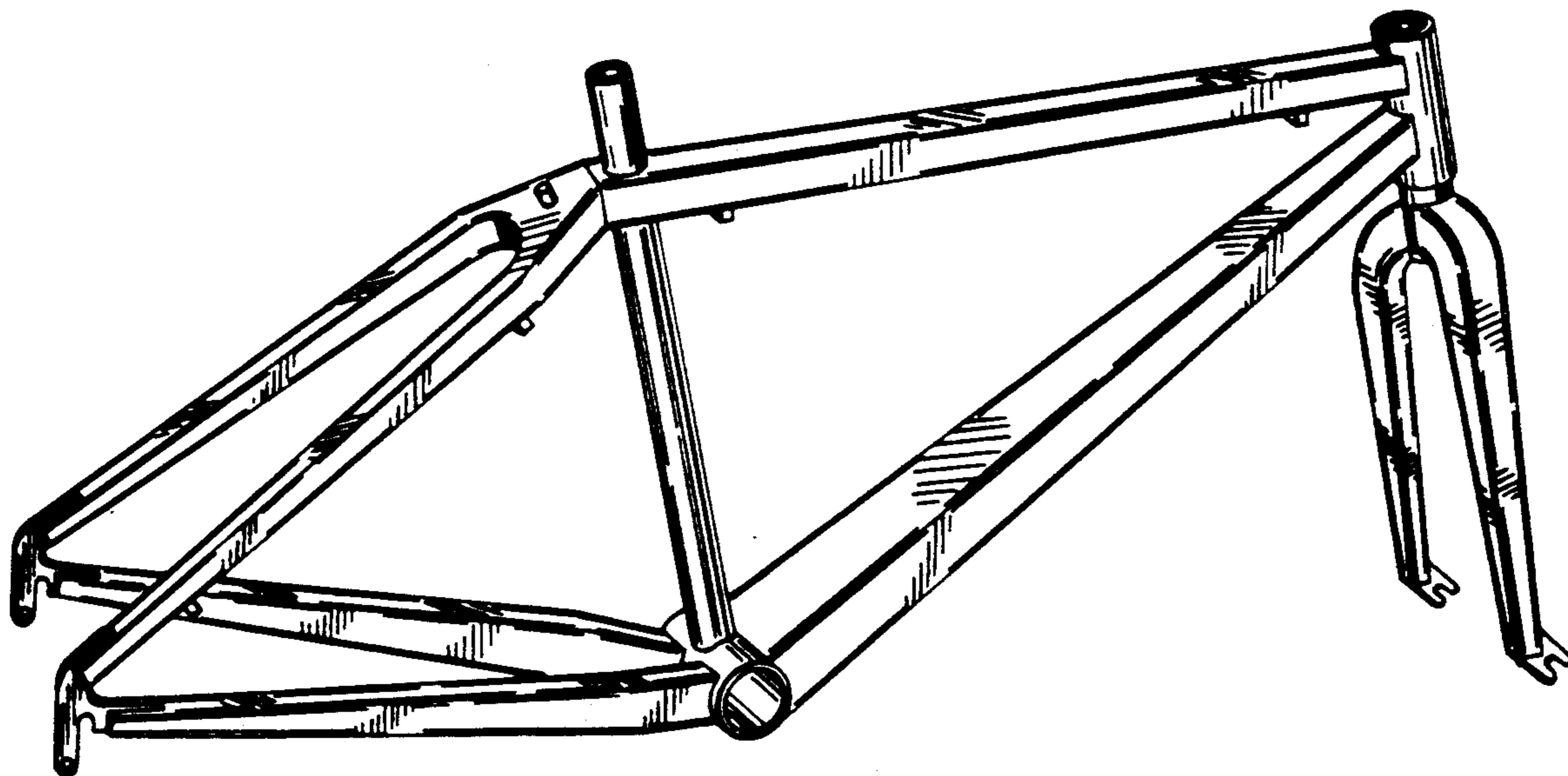
*Primary Examiner*—Wallace R. Burke  
*Assistant Examiner*—Melody Brown  
*Attorney, Agent, or Firm*—Lee W. Tower

[57] **CLAIM**

The ornamental design for a bicycle frame, as shown and described.

**DESCRIPTION**

FIG. 1 is a perspective view of a bicycle frame showing my new design according to the present invention; FIG. 2 is a side elevation view of the bicycle frame having rectangular and tapered rectangular members according to the present invention. The opposite side elevation view is a mirror image of FIG. 2; FIG. 3 is a top view of the bicycle frame according to the present invention; FIG. 4 is a bottom view of the bicycle frame according to the present invention; FIG. 5 is a rear elevational view of the bicycle frame according to the present invention; FIG. 6 is a front elevational view of the bicycle frame according to the present invention; and, FIG. 7 is an alternate side elevation view of the bicycle frame according to the present invention. The opposite alternate side elevation view is a mirror image of FIG. 7.



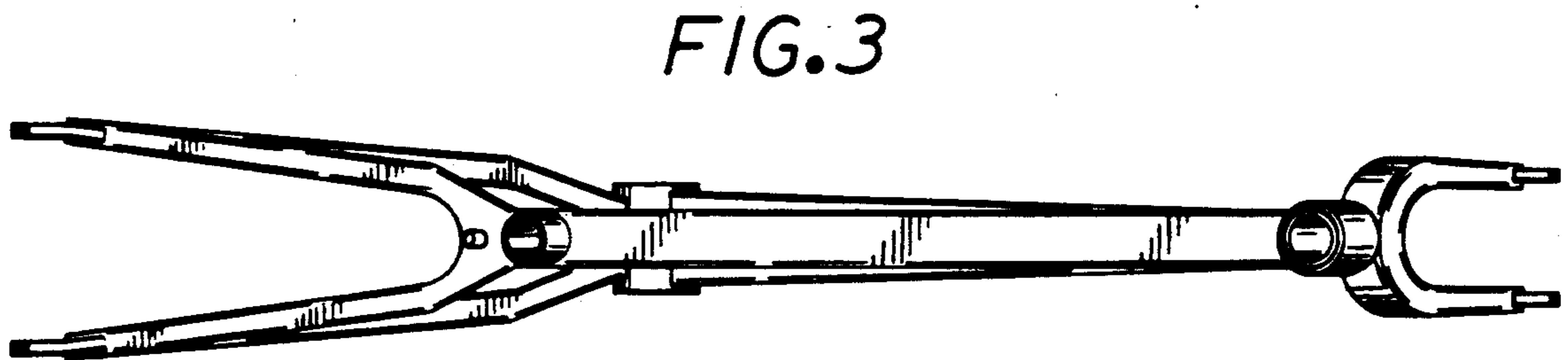
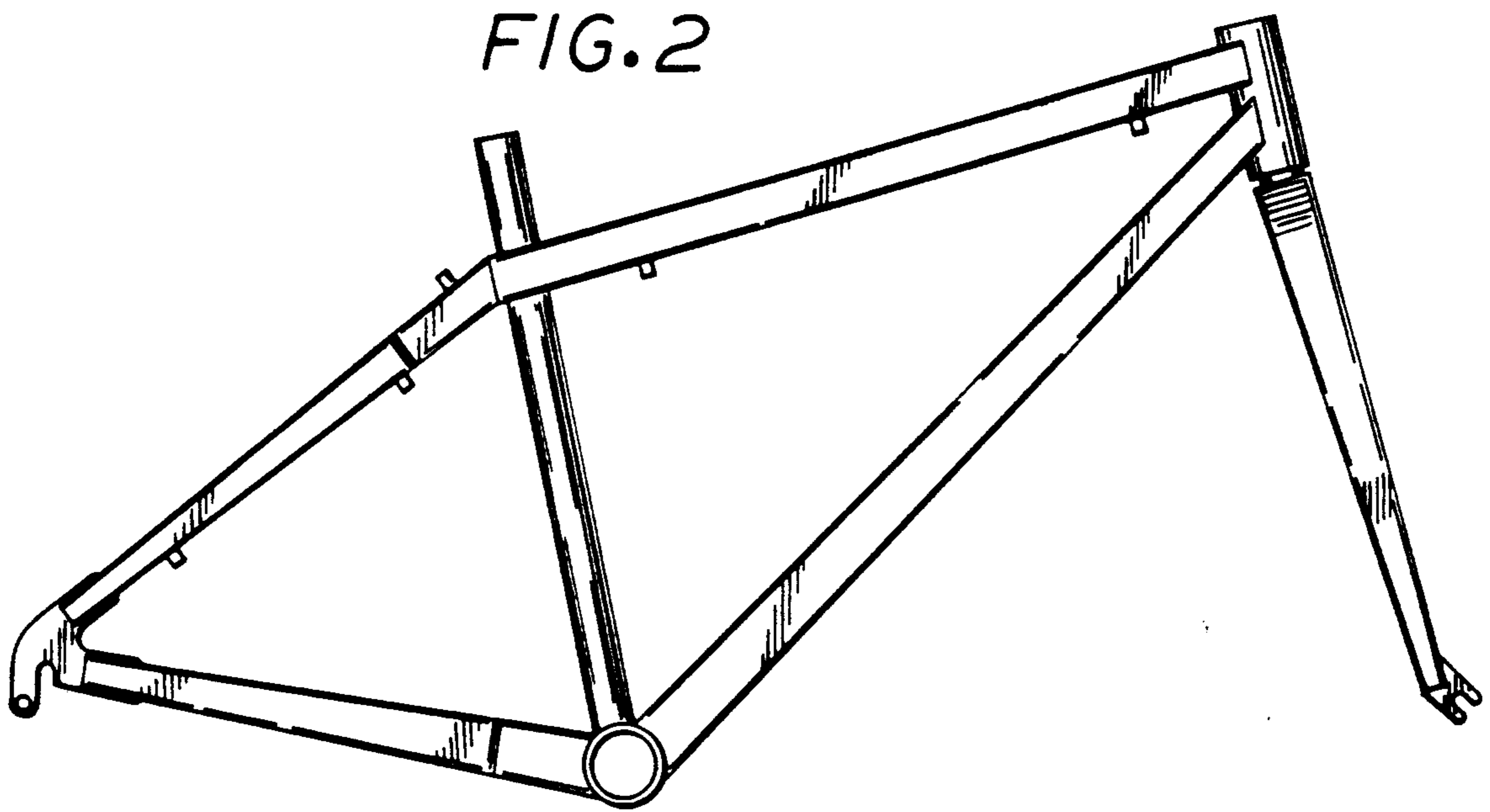
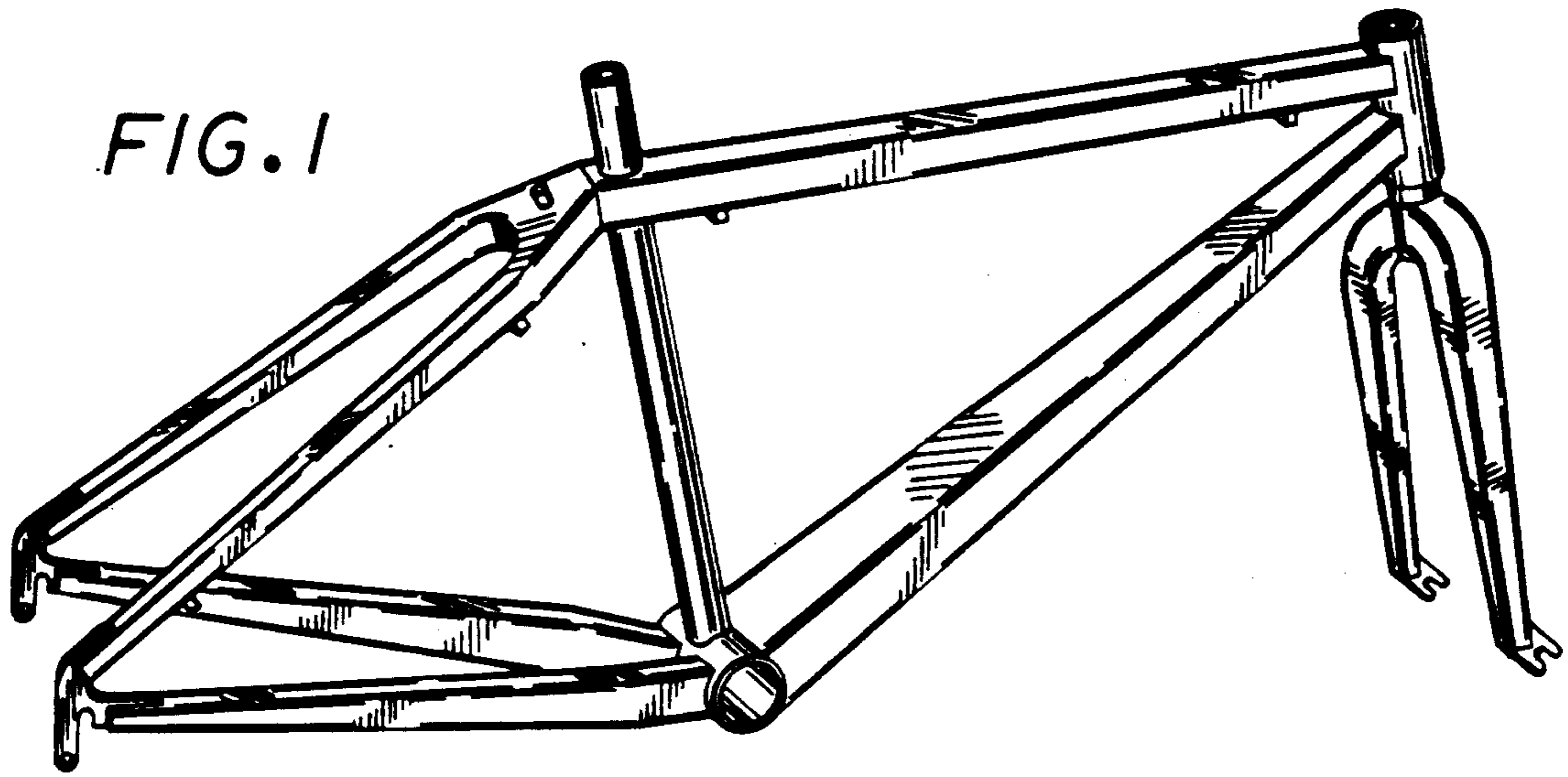


FIG. 4

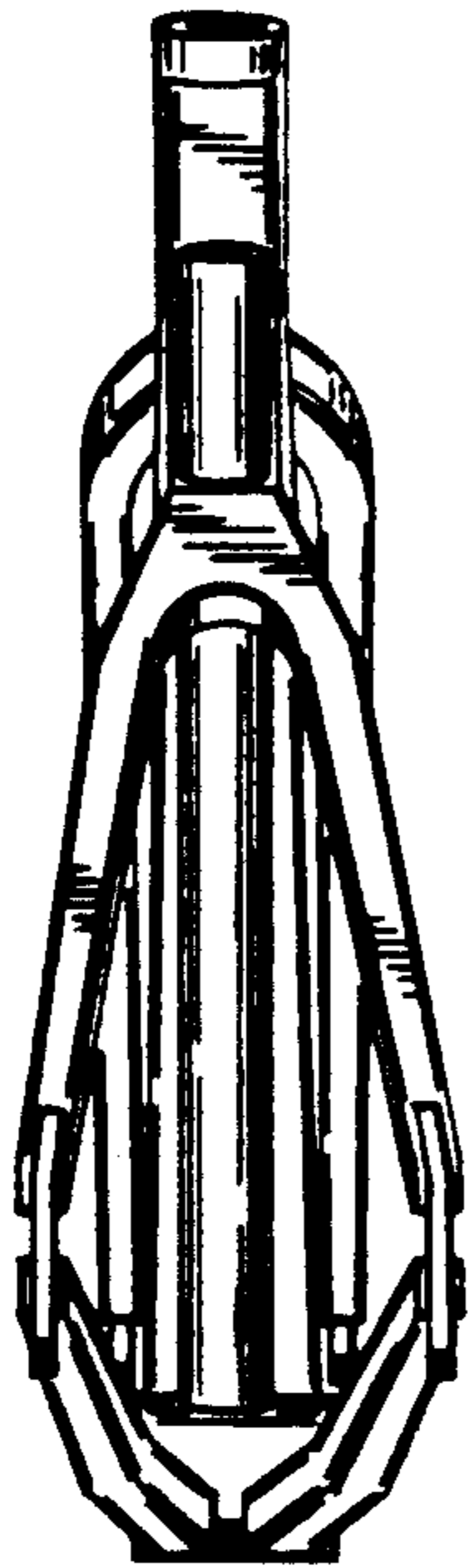
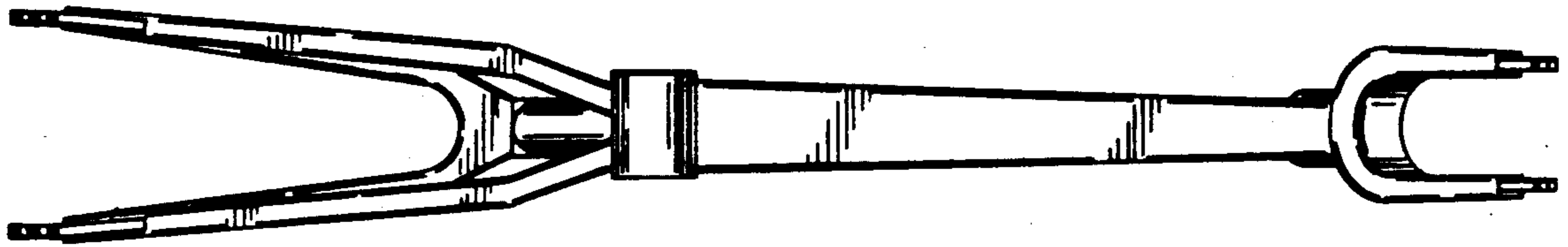


FIG. 5

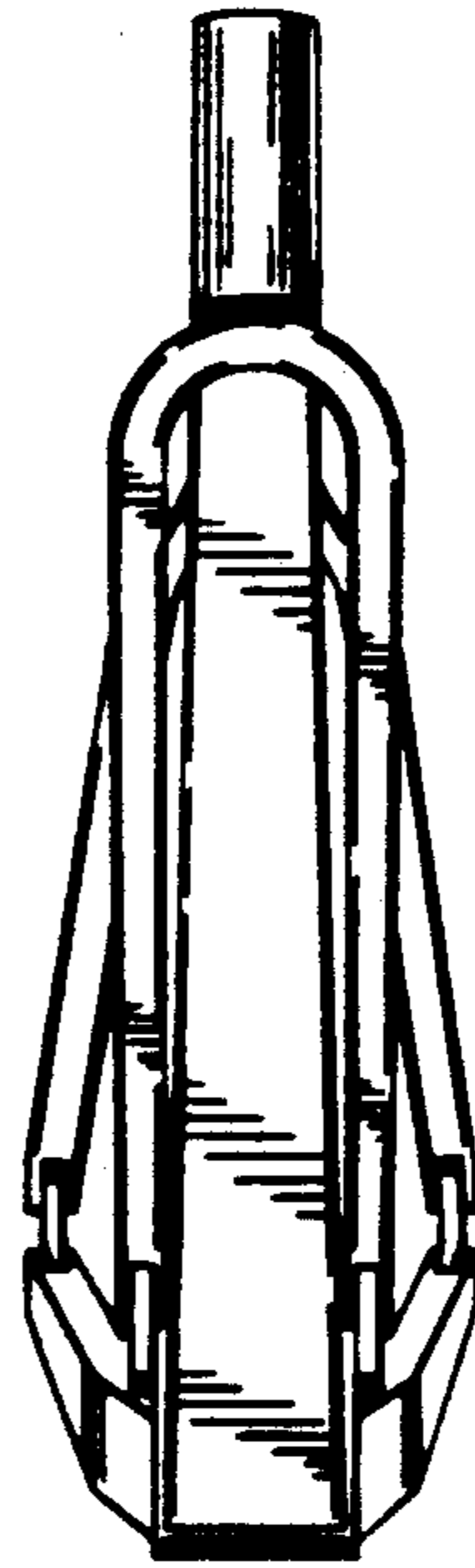


FIG. 6