



US00D343596S

# United States Patent [19]

Writt, Jr. et al.

[11] Patent Number: **Des. 343,596**

[45] Date of Patent: **Jan. 25, 1994**

## [54] MOBILE REFRESHMENT CART

[76] Inventors: **Michael R. Writt, Jr.**, 1907 E. Rhea, Tempe, Ariz. 85284; **Robert R. Giles**, 19011 E. Chandler Heights, Higley, Ariz. 85236

[\*\*] Term: **14 Years**

[21] Appl. No.: **709,442**

[22] Filed: **Jun. 3, 1991**

[52] U.S. Cl. .... **D12/1; D12/96**

[58] Field of Search ..... **296/22, 1.1, 183; D12/1, 16, 93, 96**

## [56] References Cited

### U.S. PATENT DOCUMENTS

- D. 292,899 11/1987 Samuelson et al. .... D12/16
- D. 311,883 11/1990 Ollerman ..... D12/96
- D. 318,443 7/1991 Writt, Jr. et al. .... D12/1

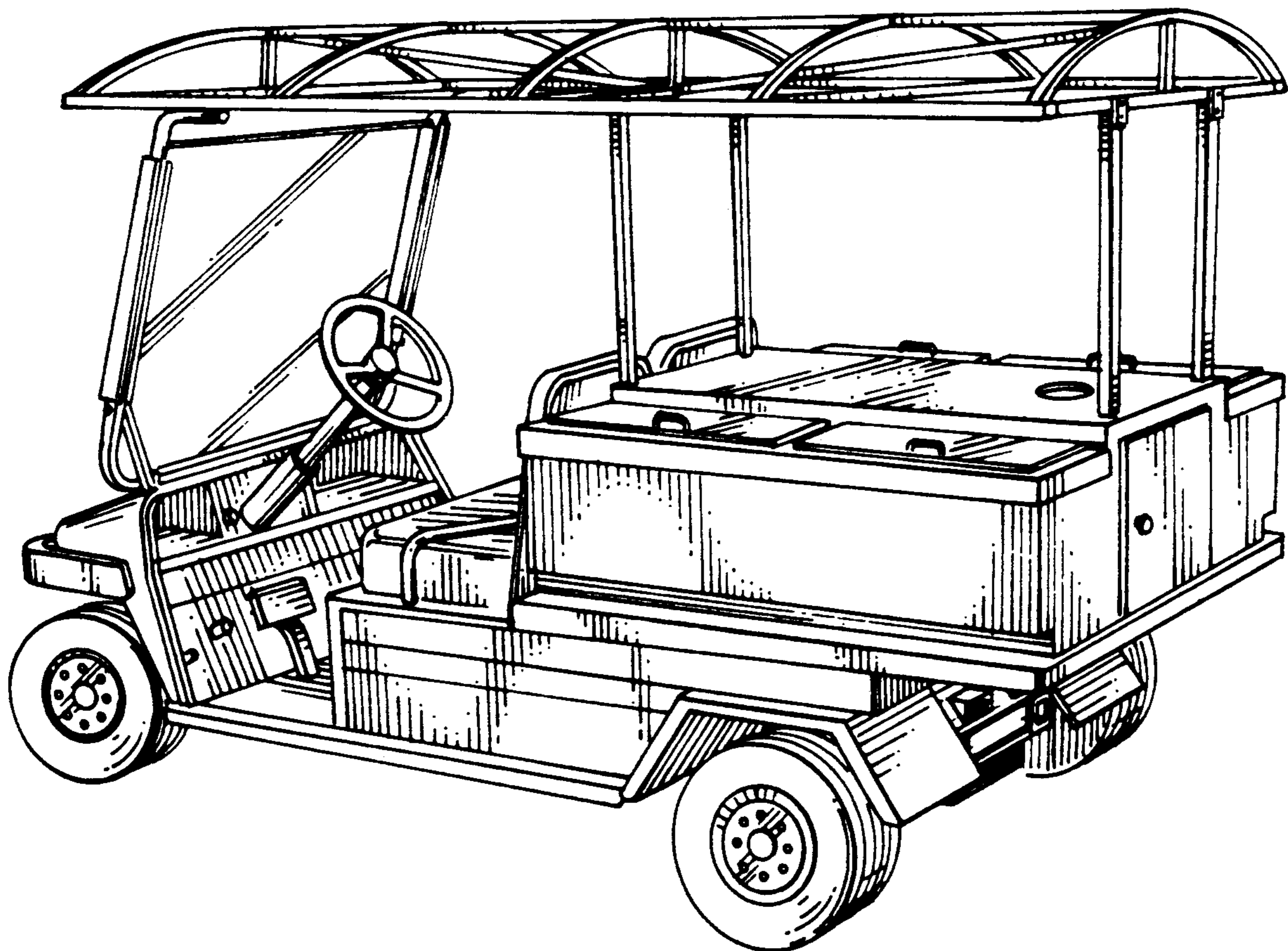
*Primary Examiner*—James M. Gandy  
*Attorney, Agent, or Firm*—Harry M. Weiss

## [57] CLAIM

The ornamental design for a mobile refreshment cart, as shown.

## DESCRIPTION

FIG. 1 is a perspective view of the rear and one side of a mobile refreshment cart showing our new design; FIG. 2 is a rear elevation view thereof; FIG. 3 is a front elevation view thereof; FIG. 4 is a side elevation view thereof opposite to that shown in FIG. 1; and, FIG. 5 is a top plan view thereof.



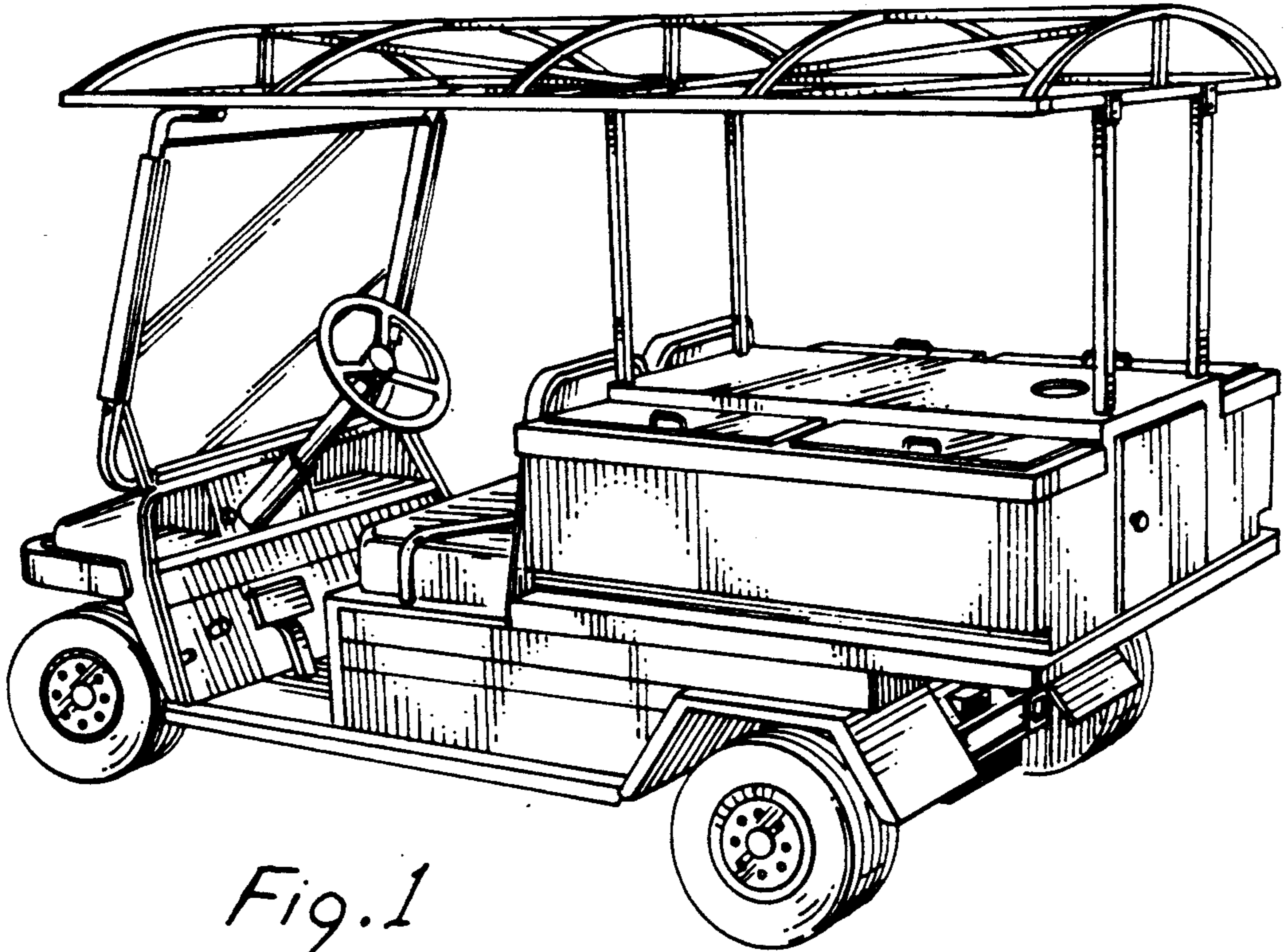


Fig. 1

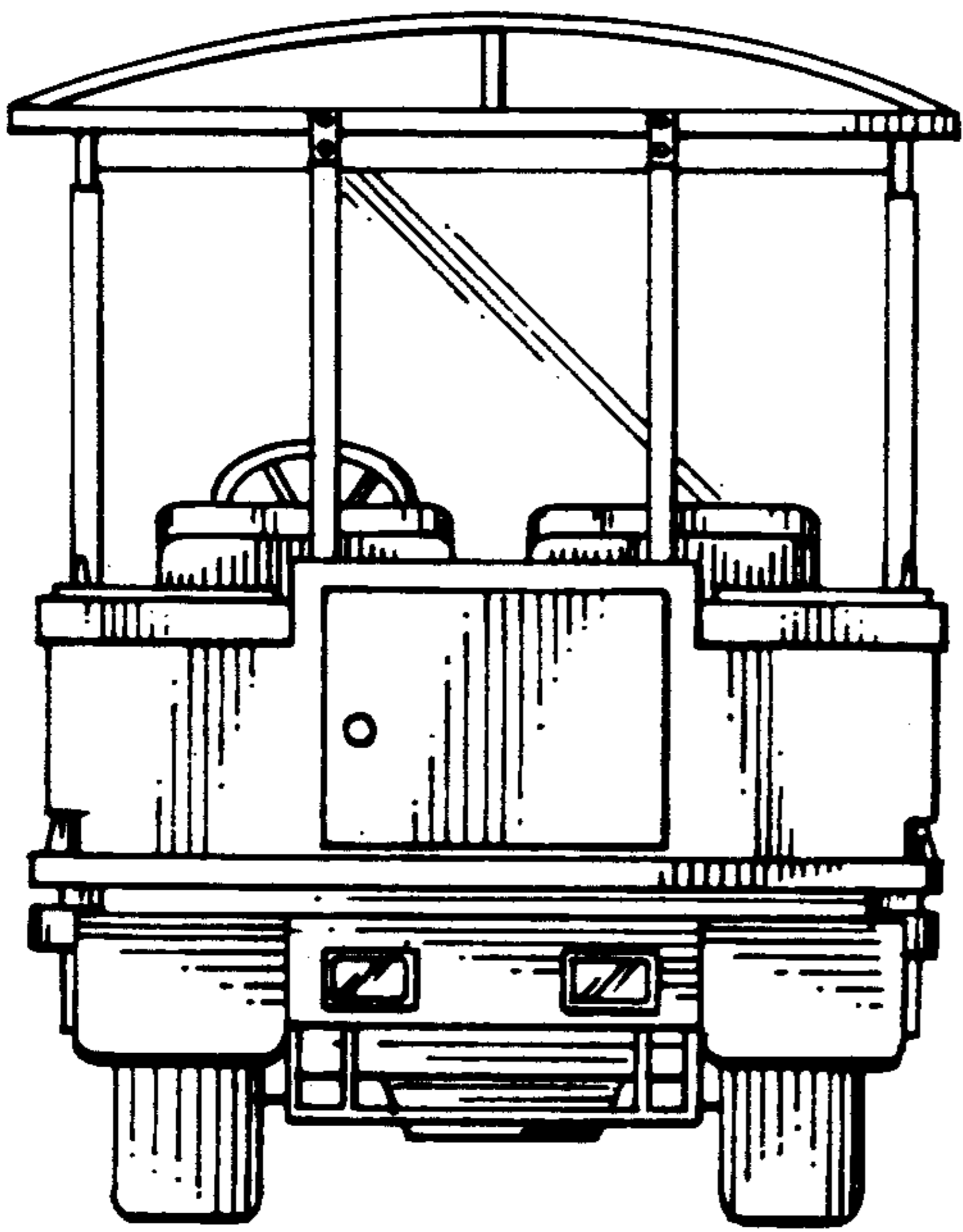


Fig. 2

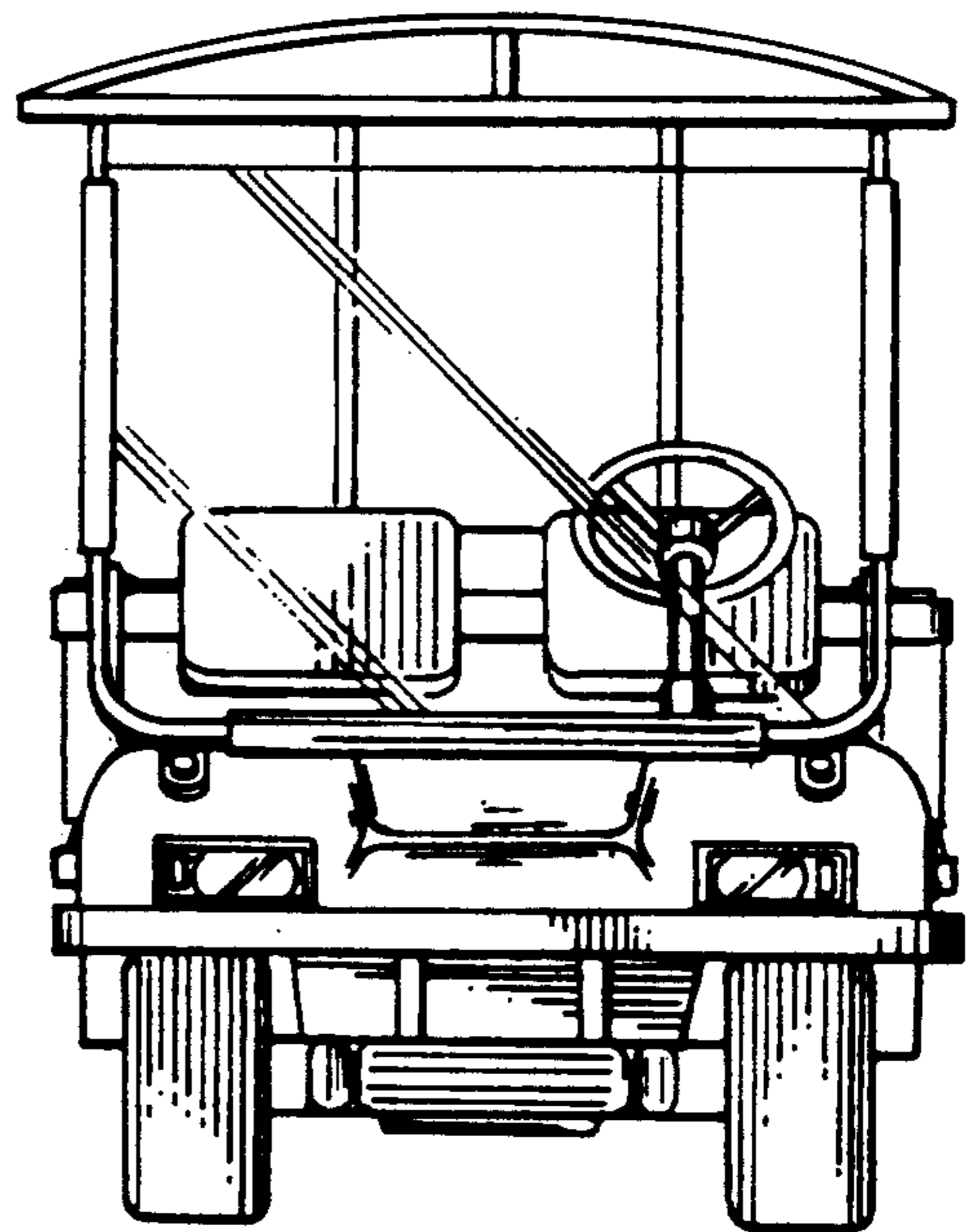


Fig. 3

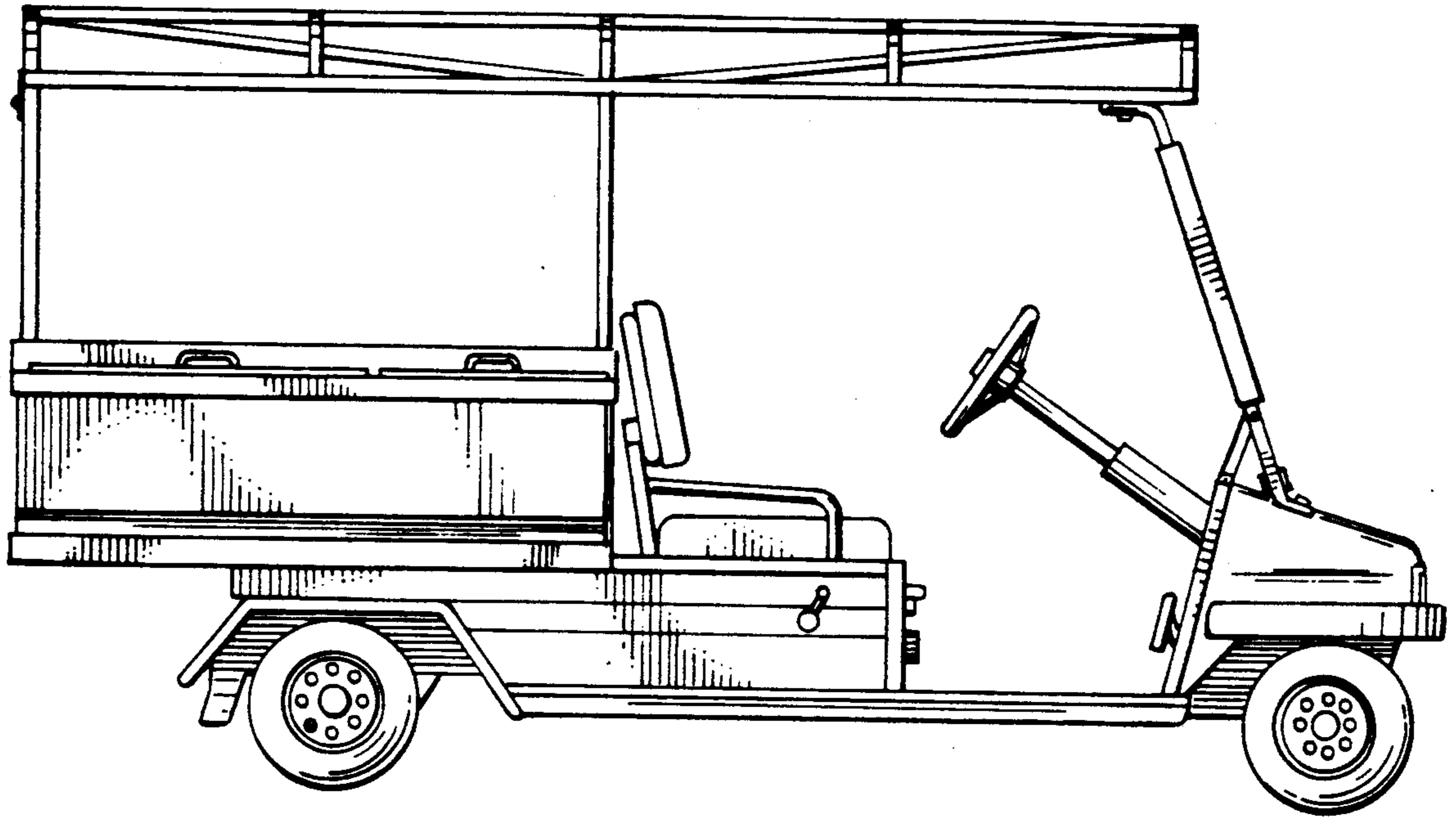


Fig. 4

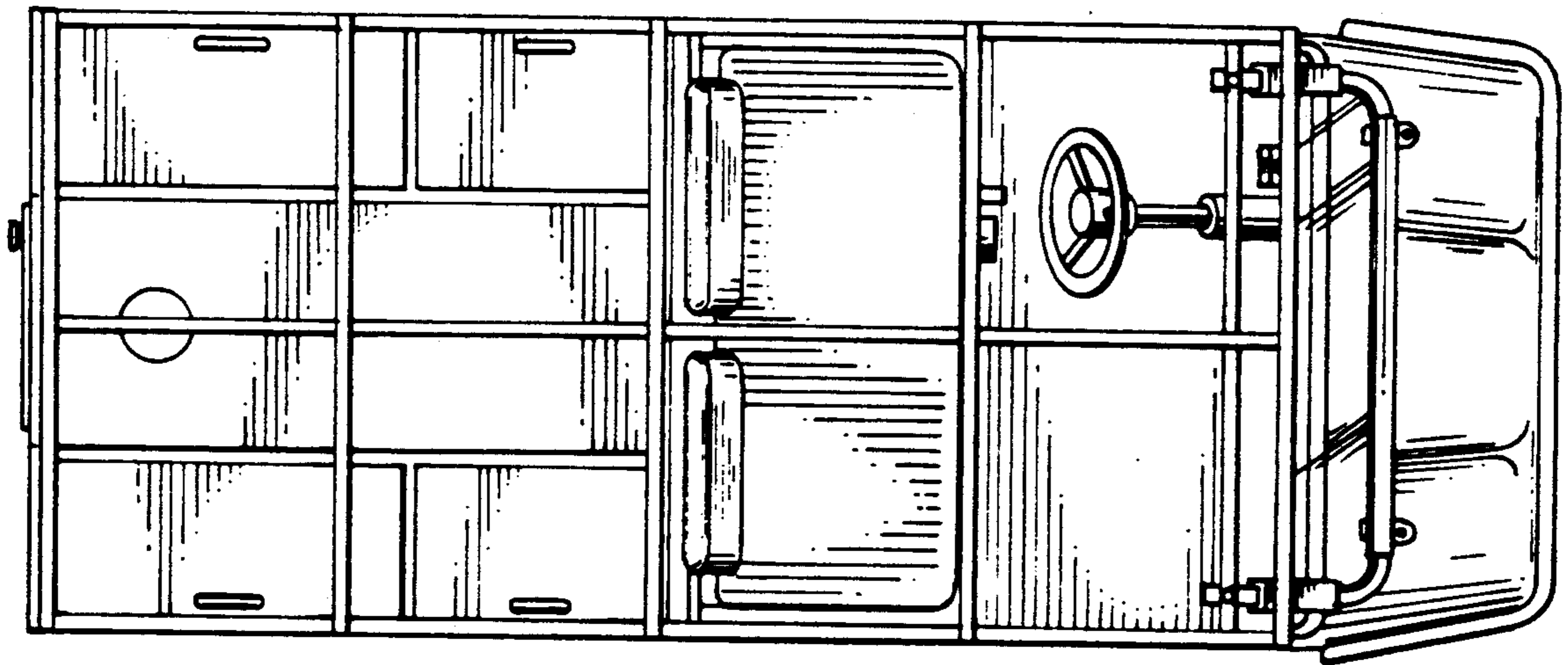


Fig. 5