



US00D343593S

United States Patent [19]

[11] Patent Number: **Des. 343,593**

Lawrence et al.

[45] Date of Patent: **Jan. 25, 1994**

[54] **TREE STAND**

[76] Inventors: **Anthony J. Lawrence**, 3640 Maple Forge La.; **Eugene A. Lawrence**, 4999 Ponderosa Dr., both of Gainesville, Ga. 30504

[**] Term: **14 Years**

[21] Appl. No.: **3,243**

[22] Filed: **Dec. 31, 1992**

[52] U.S. Cl. **D11/130.1**

[58] Field of Search **47/40.5; 248/511, 519, 248/523; D11/130.1**

1,642,231 9/1927 Dover .
2,500,215 3/1950 Swearingen .
2,821,353 1/1958 Hasenohrl .
5,000,414 3/1991 Rosato .

Primary Examiner—Bernard Ansher
Assistant Examiner—Dominic Simone
Attorney, Agent, or Firm—Richard C. Litman

[57] CLAIM

The ornamental design for a tree stand, as shown and described.

DESCRIPTION

FIG. 1 is a perspective view of a tree stand showing my new design;
FIG. 2 is a front elevational view thereof;
FIG. 3 is a rear elevational view thereof;
FIG. 4 is a top view thereof;
FIG. 5 is a left side elevational view with the right side being a mirror image thereof; and,
FIG. 6 is a bottom view thereof.
The broken line showing of a spike attached to the tree receiving portion of the device in FIG. 4 is for illustrative purposes only and forms no part of the claimed design.

[56] References Cited

U.S. PATENT DOCUMENTS

- D. 100,808 8/1936 Wolf .
- D. 117,038 10/1939 Evans .
- D. 166,892 5/1952 Vigna D11/130.1
- D. 189,100 10/1960 Bening et al. D11/130.1
- D. 217,274 4/1970 Long D11/130.1
- D. 221,969 9/1971 De Vries D11/130.1
- D. 308,028 5/1990 Moriarty .
- 1,575,488 3/1926 Jakobey D11/130.1 X

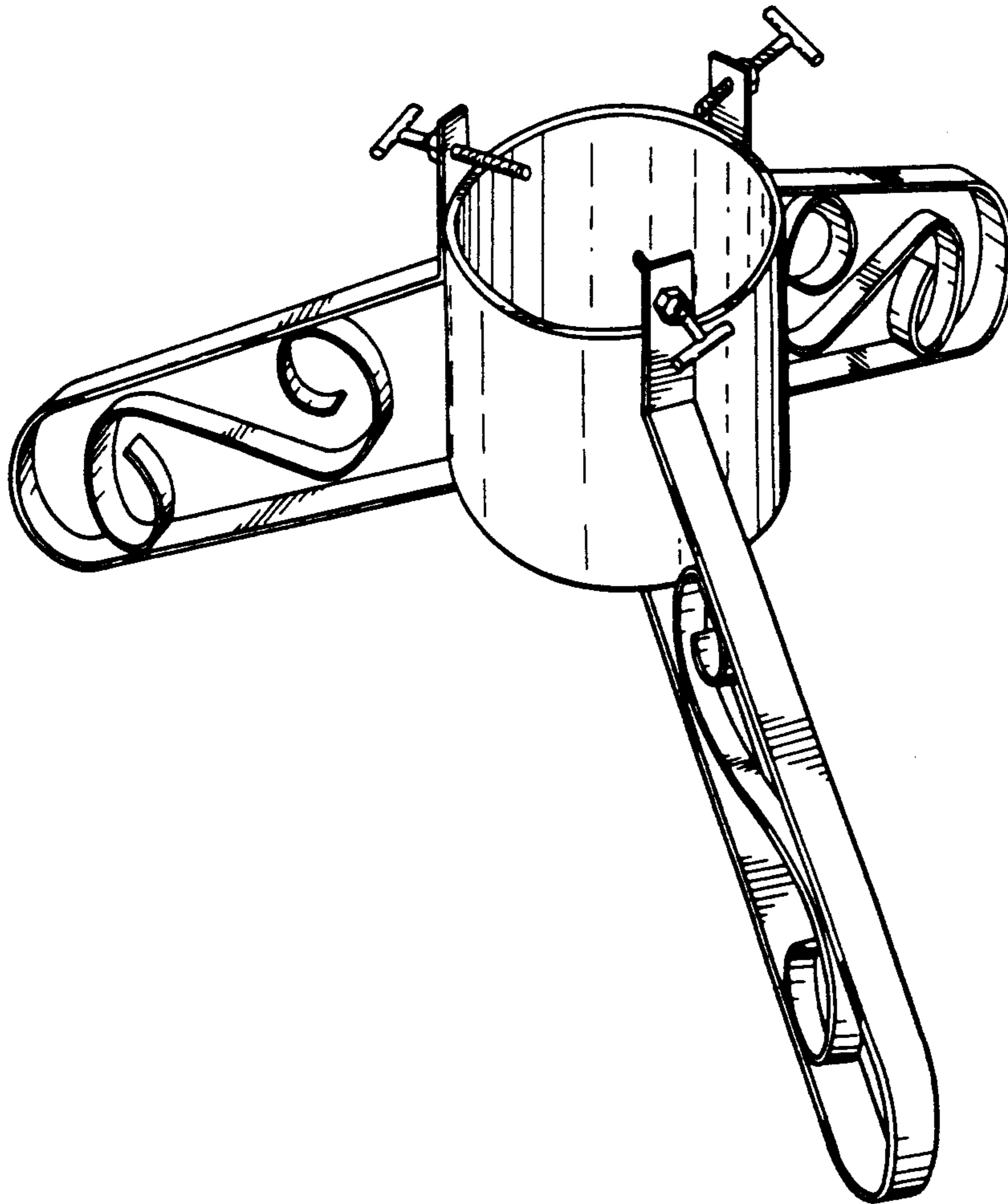


FIG. 1

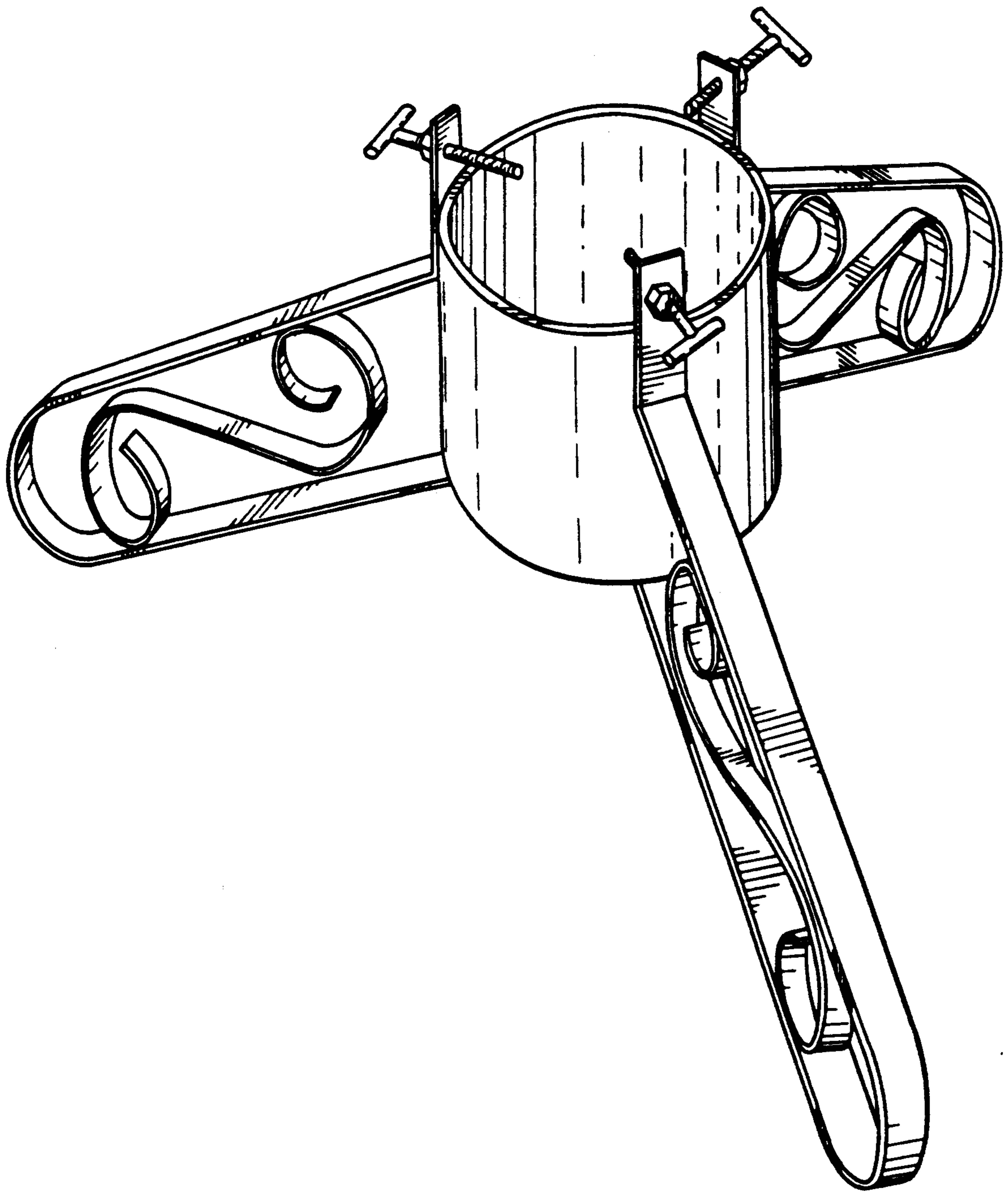


FIG. 2

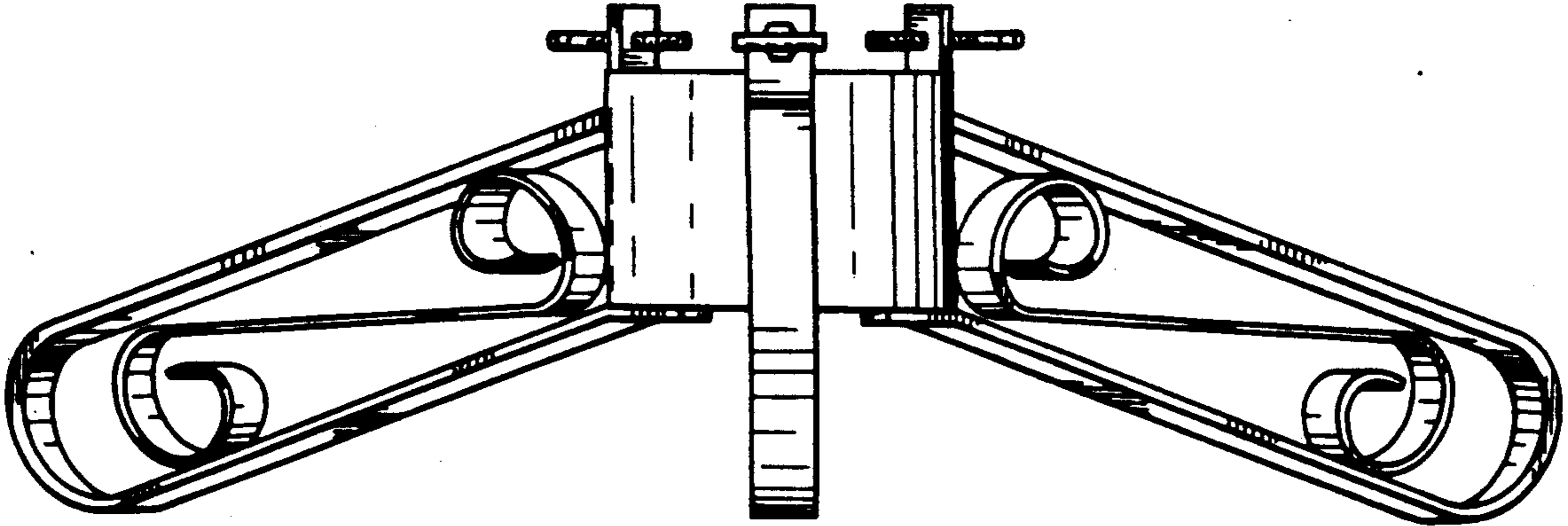


FIG. 3

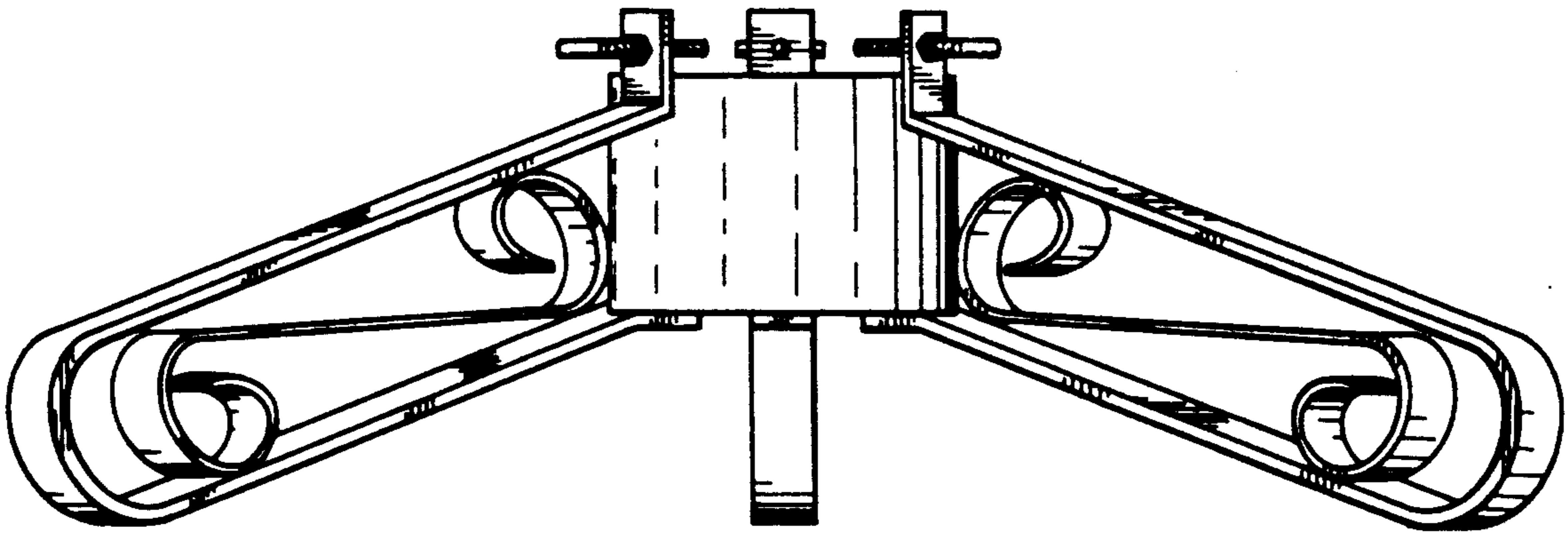


FIG. 5

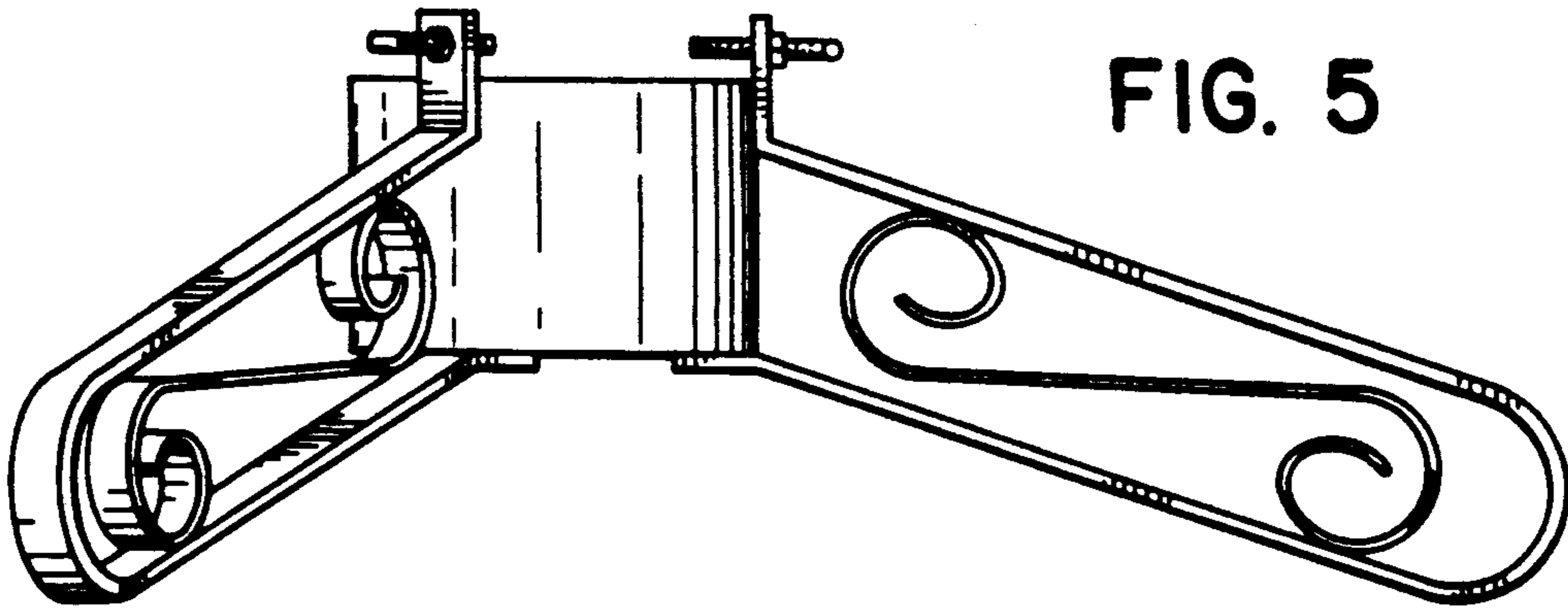


FIG. 4

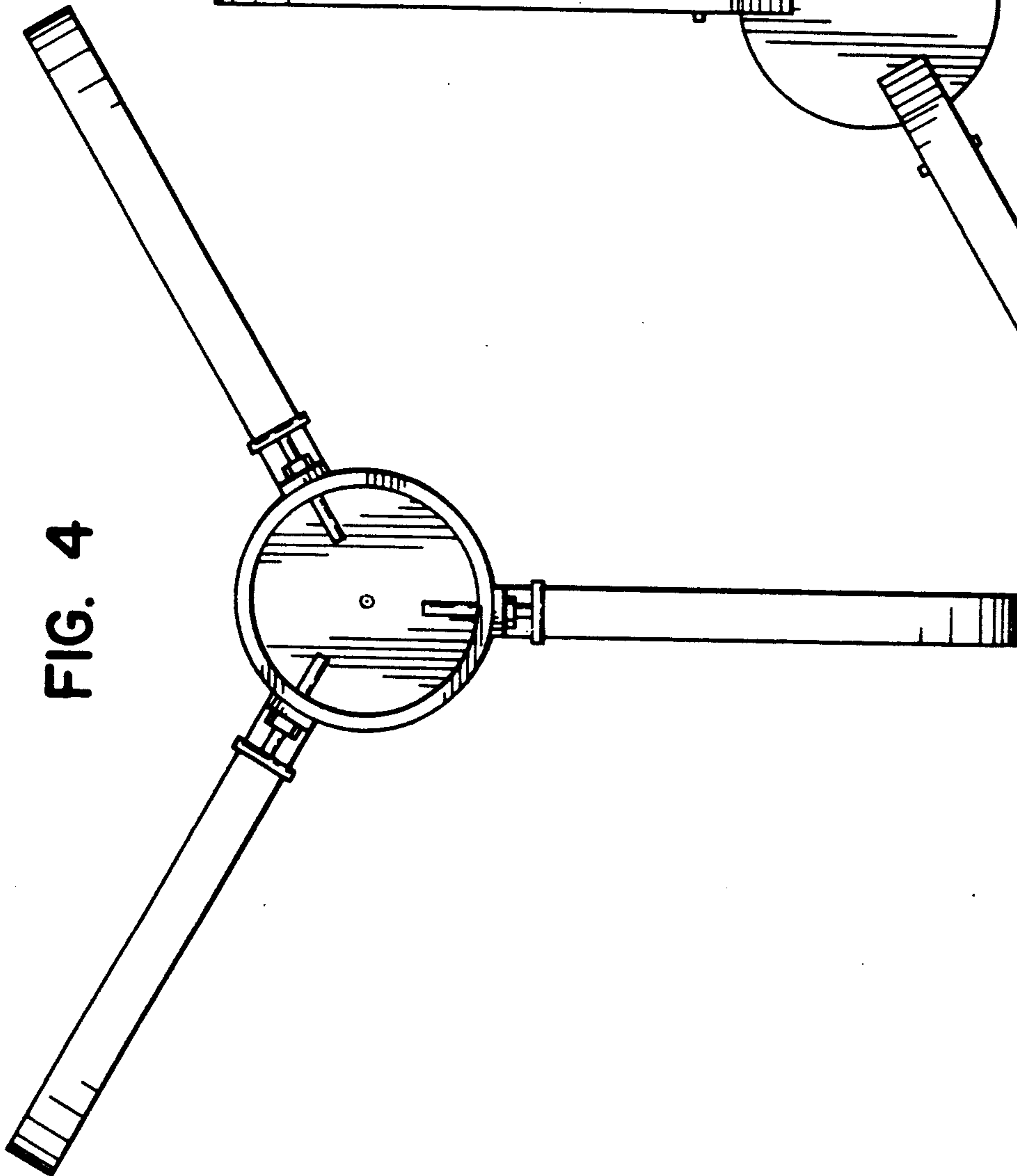


FIG. 6

