



US00D343591S

United States Patent [19]

[11] Patent Number: **Des. 343,591**

Lovato

[45] Date of Patent: **** Jan. 25, 1994**

[54] **TERMINAL ELEMENT FOR STRING MATERIAL**

[75] Inventor: **Attilio Lovato, Pino Torinese, Italy**

[73] Assignee: **ITW Fastex Italia S.p.A., Turin, Italy**

[**] Term: **14 Years**

[21] Appl. No.: **758,953**

[22] Filed: **Sep. 13, 1991**

[30] **Foreign Application Priority Data**

Mar. 15, 1991 [IT] Italy T0910000078

[52] U.S. Cl. D11/87; D3/30.1; D9/420

[58] Field of Search D3/30.1, 39, 51, 77; D2/316; D8/383; D9/504, 529, 433, 434, 420, 381, 390, 446; 63/18, 2, 1.1; 229/125.22; 24/616, 712-712.1; D11/2, 7, 8, 87; D22/144

[56] **References Cited**

U.S. PATENT DOCUMENTS

- D. 175,012 6/1955 Bordner D3/51
- D. 187,757 4/1960 Mart D9/446
- D. 262,497 1/1982 Chan D3/30.1
- D. 267,635 1/1983 Barr D11/87

- D. 284,176 6/1986 Battersby D11/87
- 1,419,370 6/1922 Genaille 24/712
- 4,866,952 9/1989 Hight et al. 63/18
- 5,123,199 6/1992 Lysohir et al. D22/144

Primary Examiner—A. Hugo Word
Assistant Examiner—R. Seifert
Attorney, Agent, or Firm—Schwartz & Weinrieb

[57] **CLAIM**

The ornamental design for a terminal element for string material, as shown and described.

DESCRIPTION

FIG. 1 is a front elevational view of a terminal element for string material showing my new design in the open position;

FIG. 2 is a top plan view thereof;

FIG. 3 is a bottom plan view thereof;

FIG. 4 is a right side elevational view thereof;

FIG. 5 is a rear elevational view thereof;

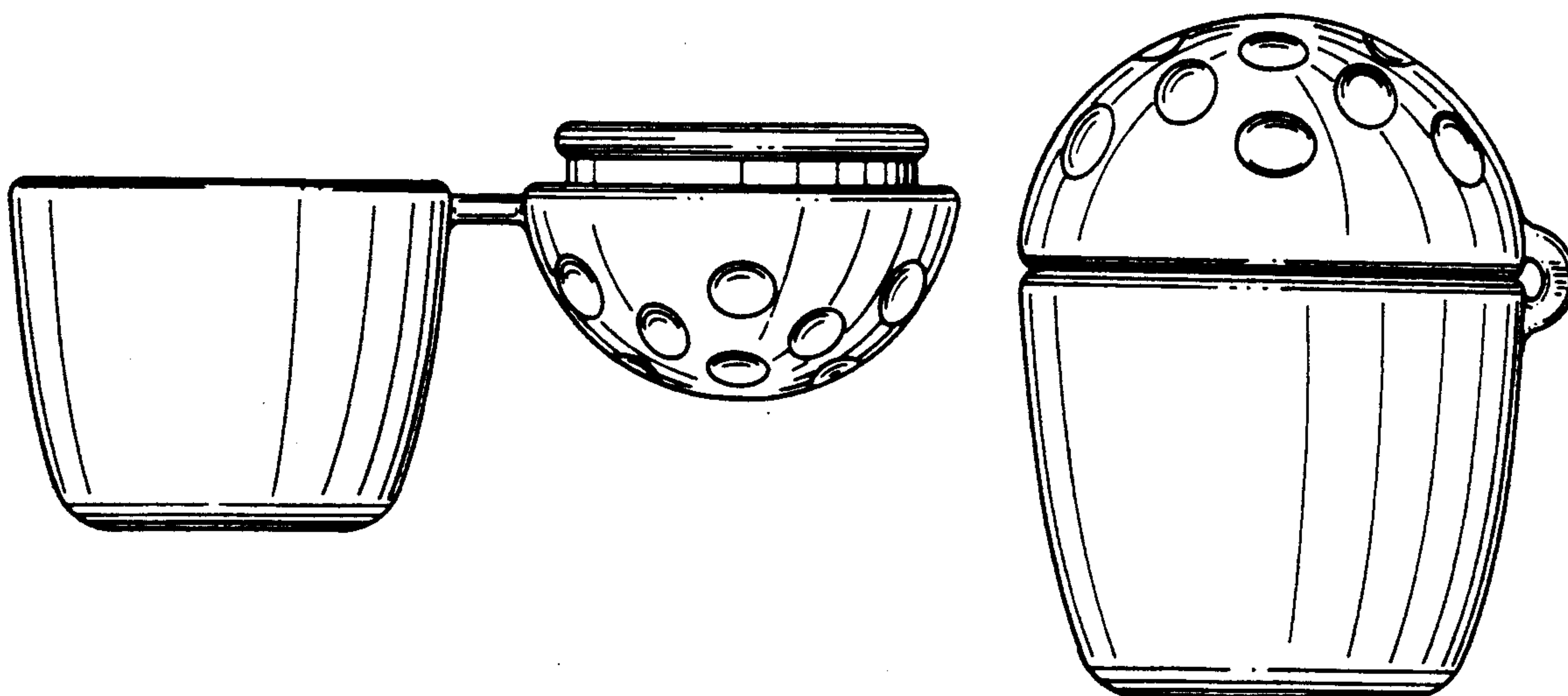
FIG. 6 is a left side elevational view thereof;

FIG. 7 is a top plan view thereof with the terminal element being shown in the closed position;

FIG. 8 is a bottom plan view thereof;

FIG. 9 is a right side elevational view thereof; and,

FIG. 10 is a front elevational view thereof.



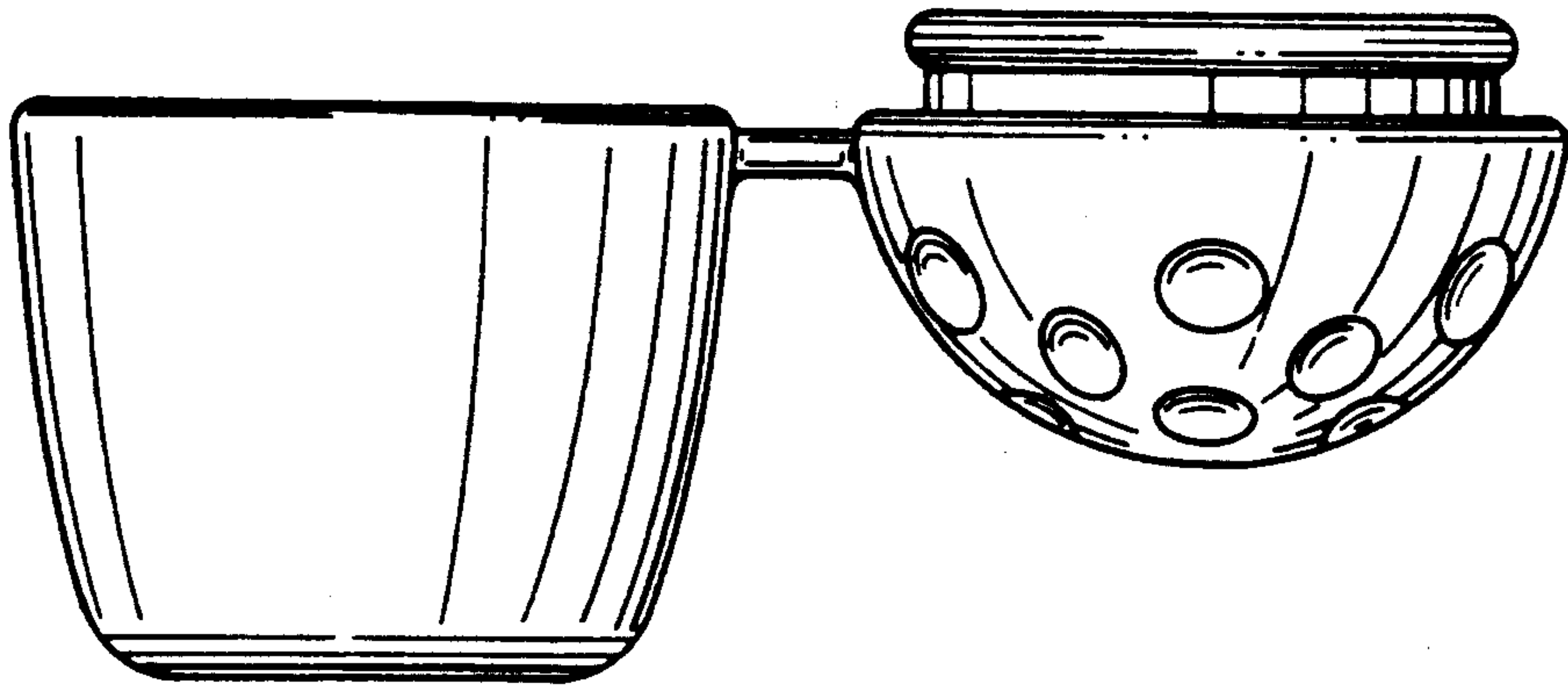


FIG. 1

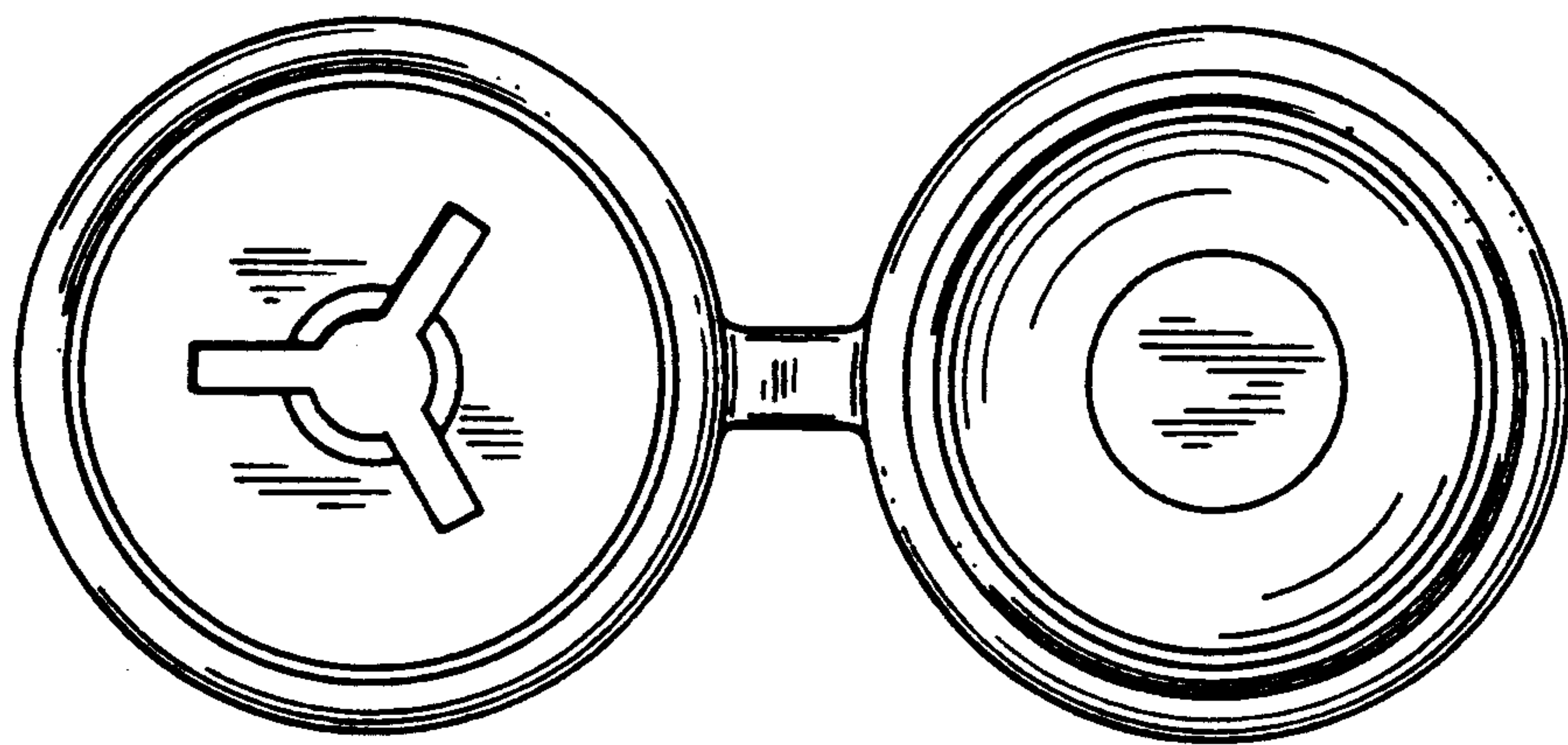


FIG. 2

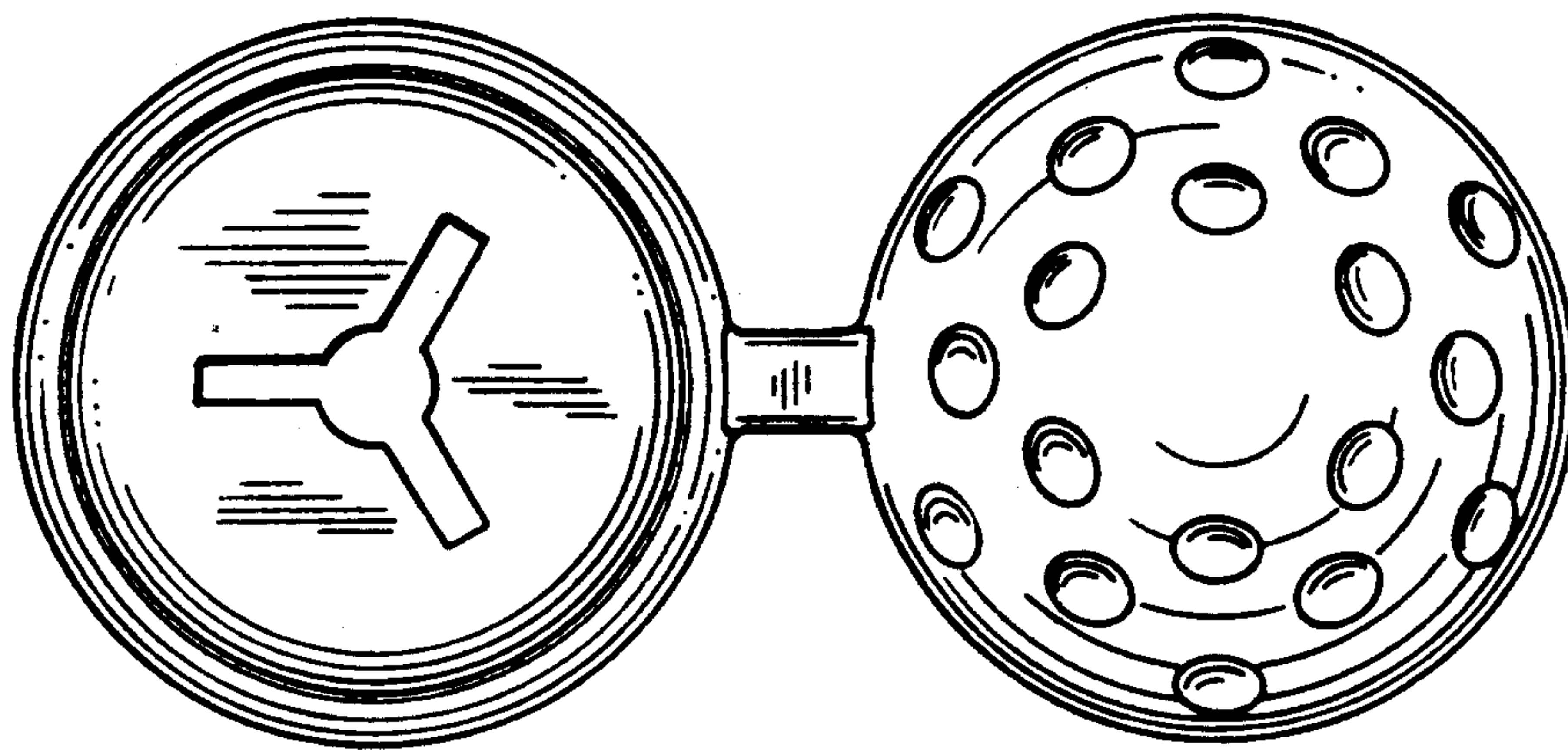


FIG. 3

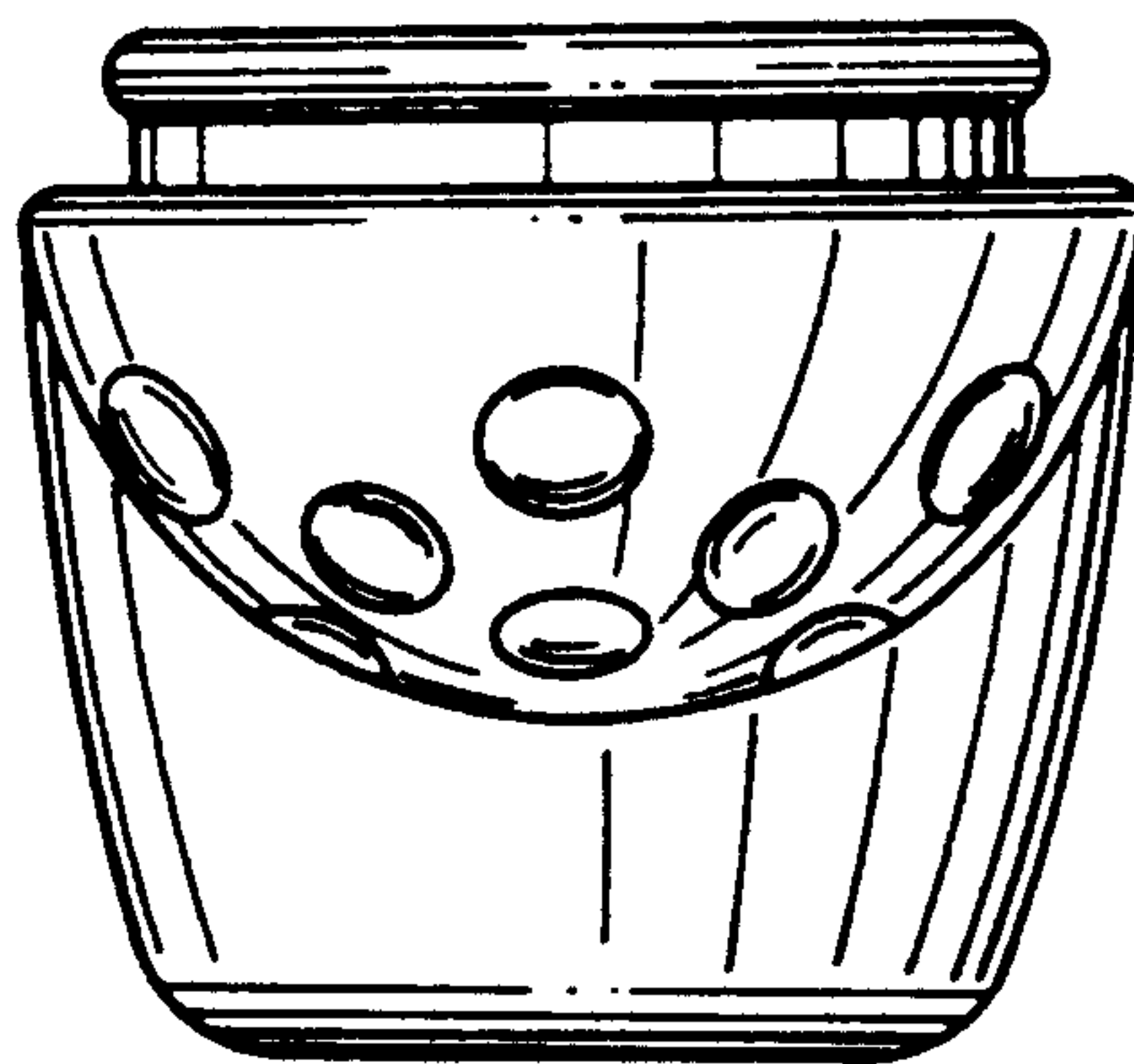


FIG. 4

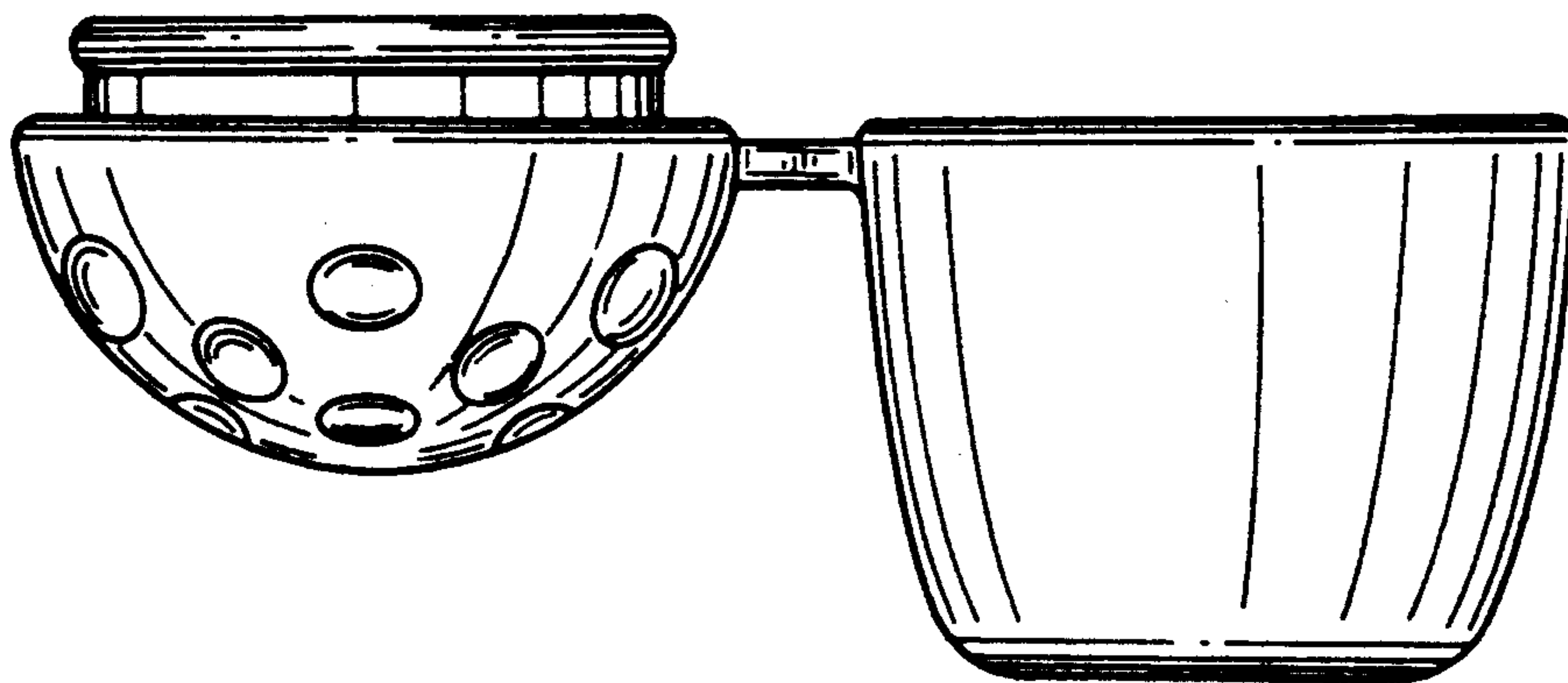


FIG. 5

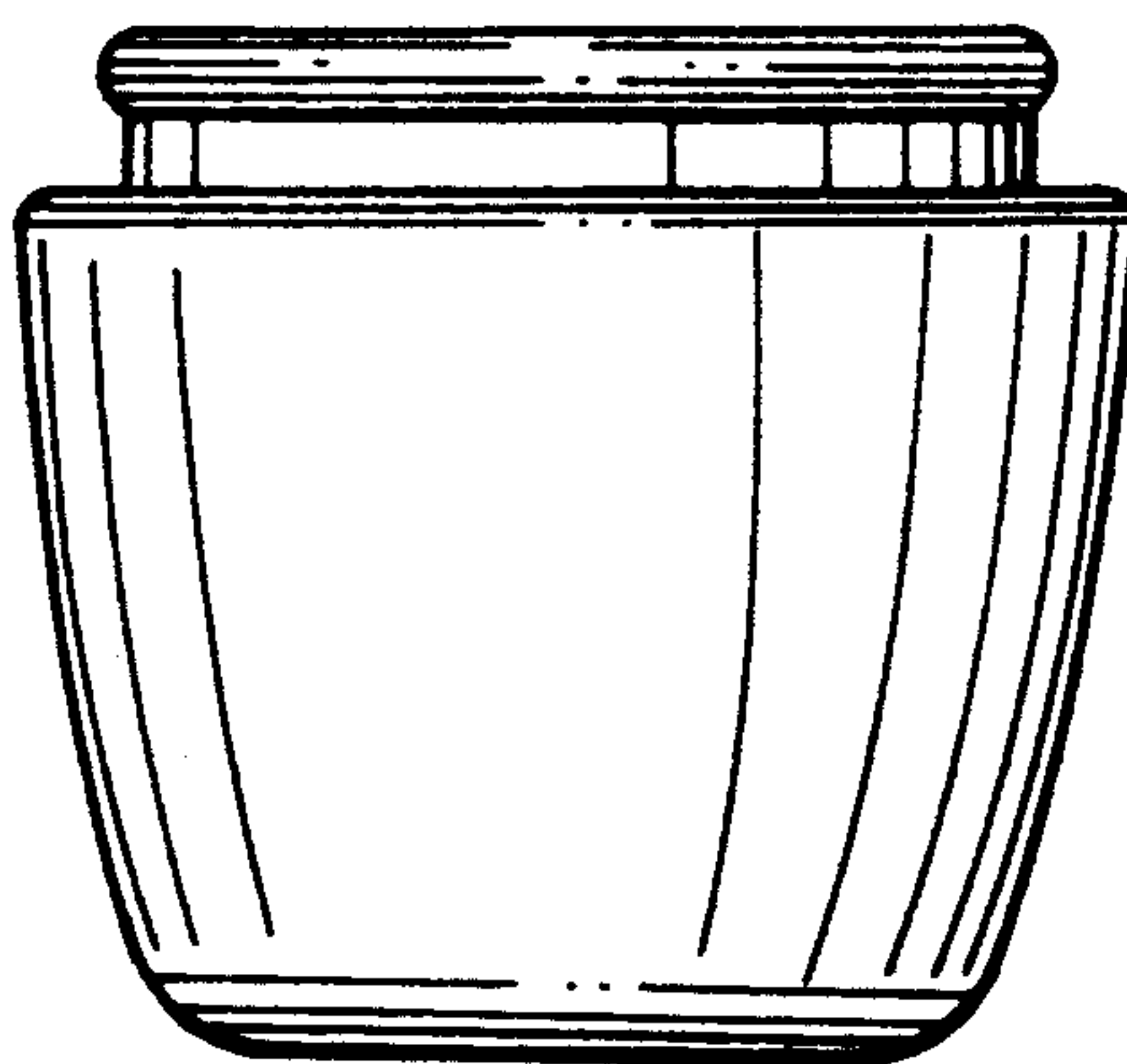


FIG. 6

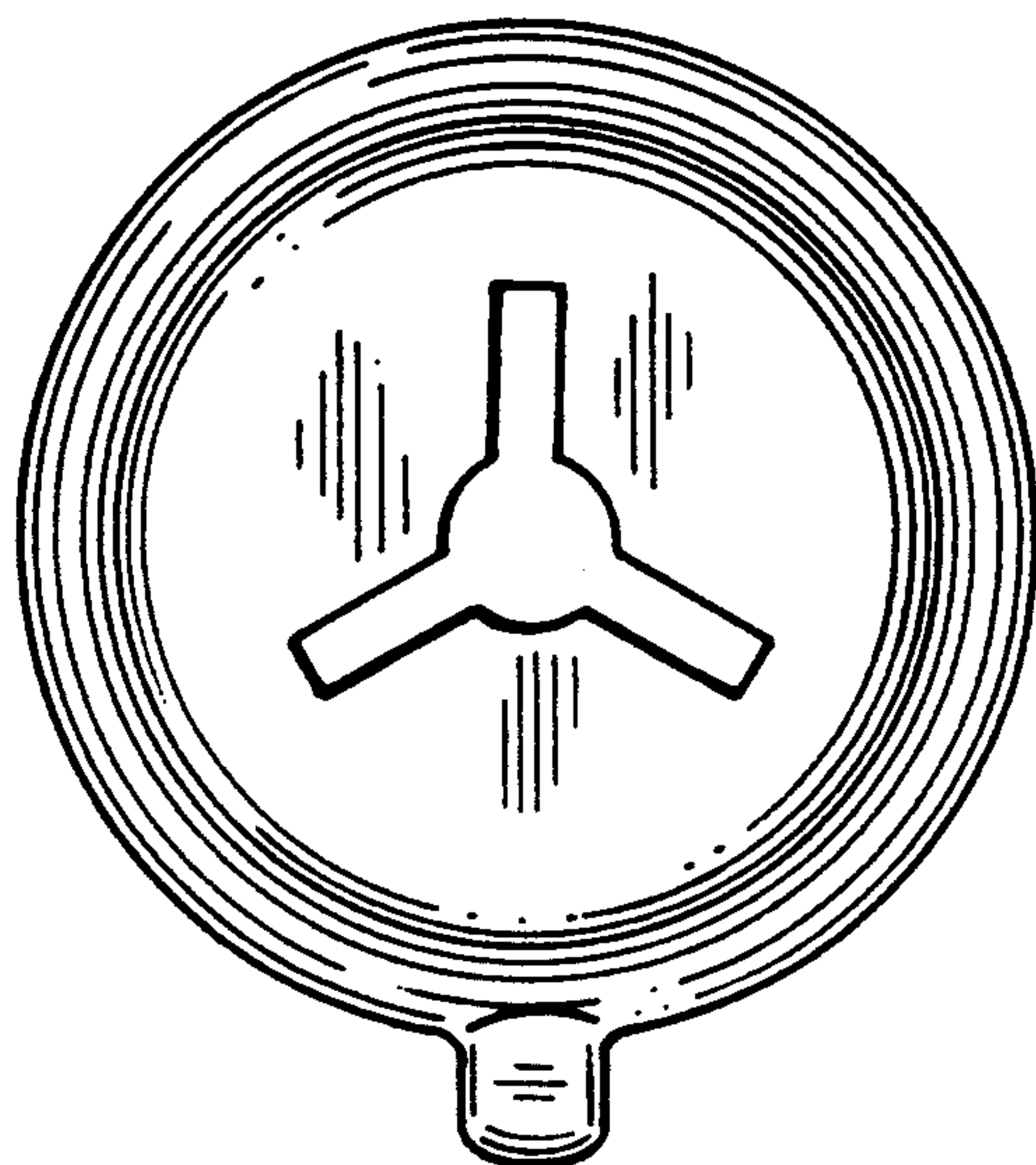


FIG. 8

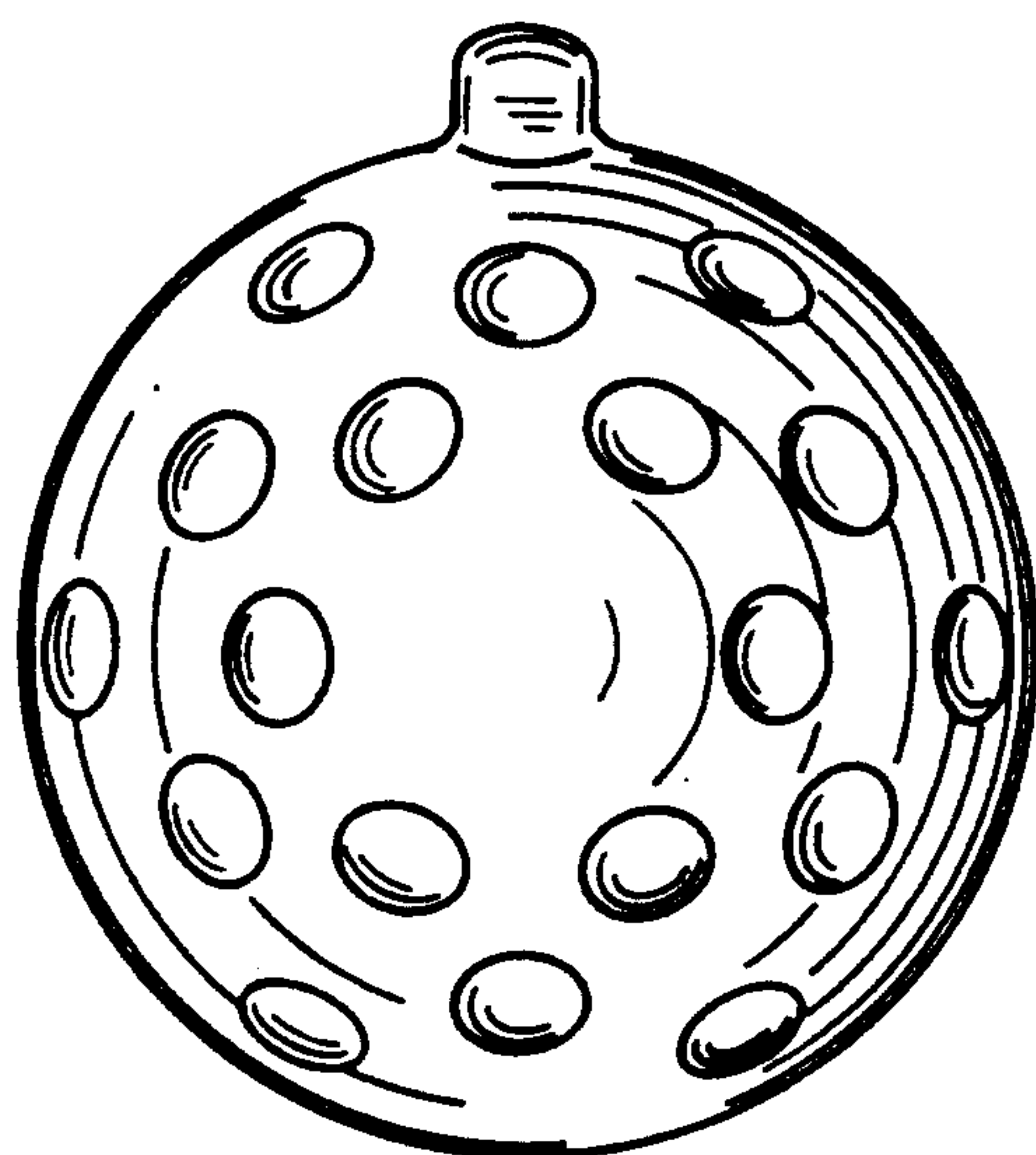


FIG. 7

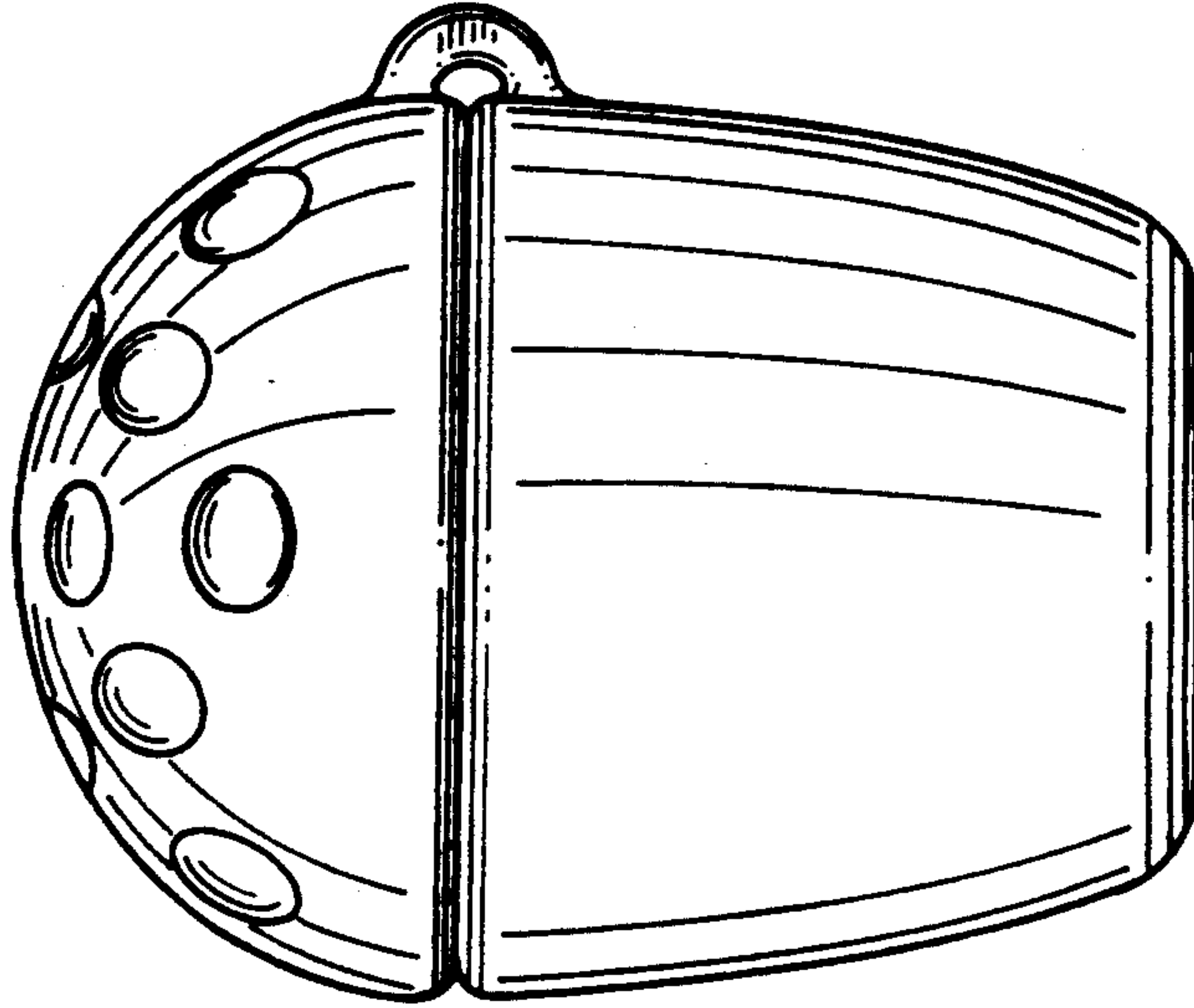


FIG. 10

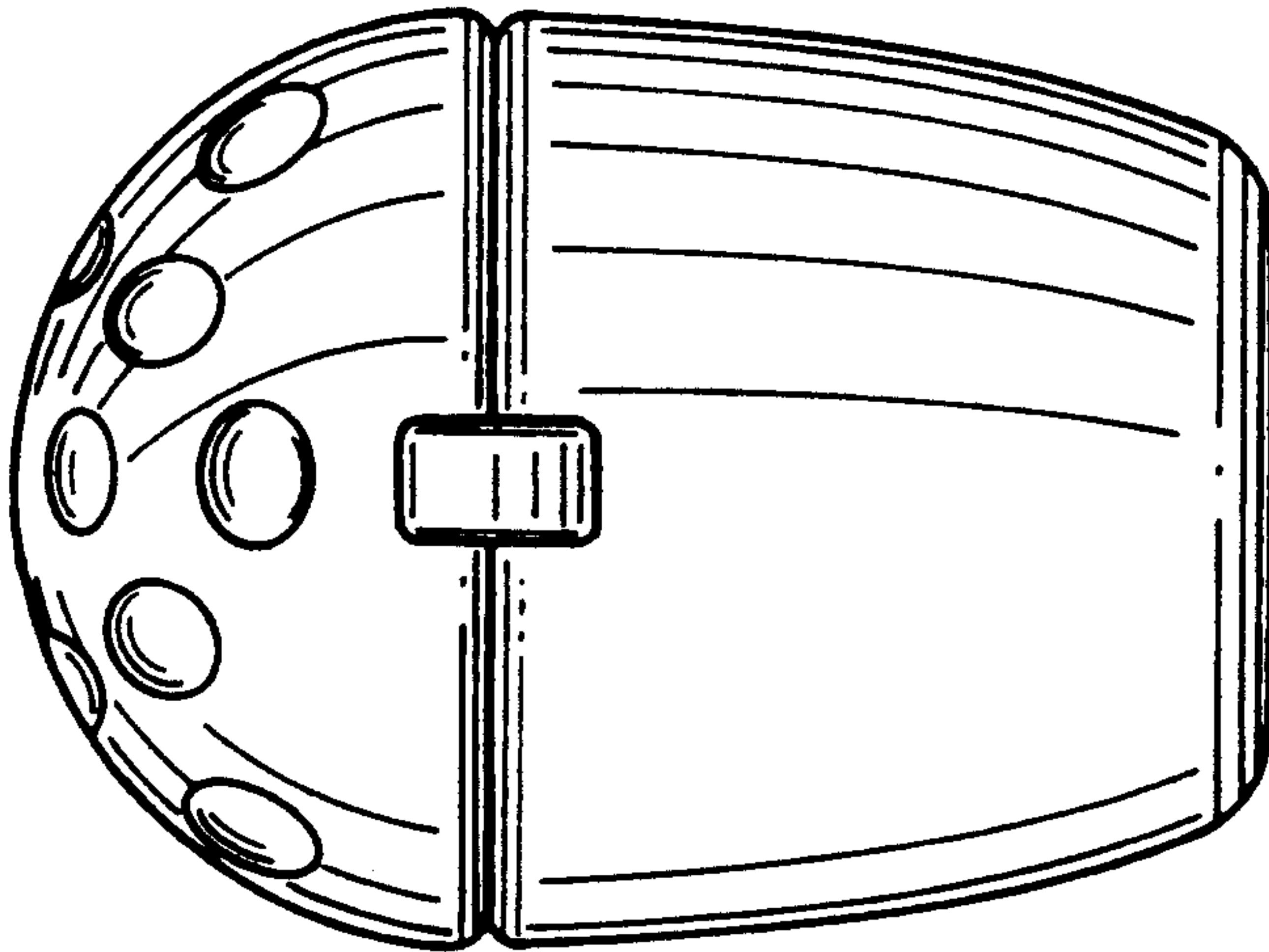


FIG. 9