



US00D343590S

United States Patent [19]

[11] Patent Number: **Des. 343,590**

Dubs

[45] Date of Patent: **** Jan. 25, 1994**

[54] FINGER RING

2,738,616 3/1956 Windle D11/2

[75] Inventor: **Jakob U. Dubs**, Basserdorf, Switzerland

Primary Examiner—A. Hugo Word

Assistant Examiner—R. Seifert

Attorney, Agent, or Firm—Cushman, Darby & Cushman

[73] Assignee: **Angelika Dubs**, Creativ Forum, Bassersdorf, Switzerland

[57] CLAIM

[**] Term: **14 Years**

The ornamental design for a finger ring, as shown and described.

[21] Appl. No.: **888,108**

DESCRIPTION

[22] Filed: **May 26, 1992**

[30] Foreign Application Priority Data

Nov. 25, 1991 [XH] Hague DM/021.216

[52] U.S. Cl. D11/26; D11/29

[58] Field of Search 63/1.1, 2, 3, 15-15.8; D11/1-5, 26-39; D21/104, 107

FIG. 1 is a top front perspective view of a finger ring showing my new design;

FIG. 2 is a top side perspective view;

FIG. 3 is a top rear perspective view;

FIG. 4 is a bottom front perspective view;

FIG. 5 is a bottom perspective view showing the side opposite FIG. 2;

FIG. 6 is a bottom rear perspective view;

FIG. 7 is a perspective view shown in a slightly opened position;

FIG. 8 is a perspective view shown in an alternate open position to that shown in FIG. 7; and,

FIG. 9 is a perspective view shown in alternate position to that shown in FIGS. 7 and 8.

[56] References Cited

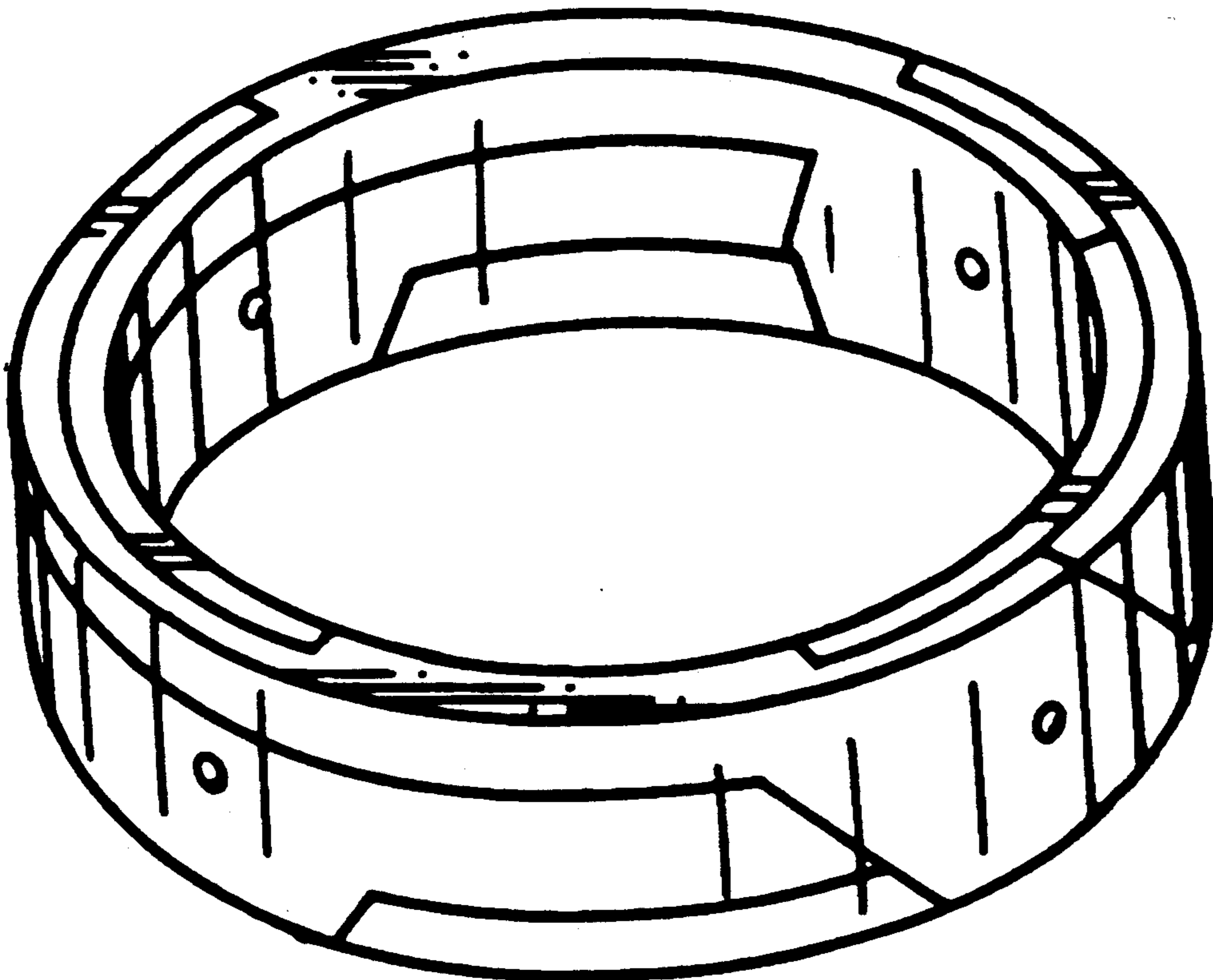
U.S. PATENT DOCUMENTS

448,974 3/1891 Lyon D21/104

927,499 7/1909 Davis D21/107

1,972,128 9/1934 Bobbroff D11/2

2,182,876 12/1939 Moldenhauer D11/34



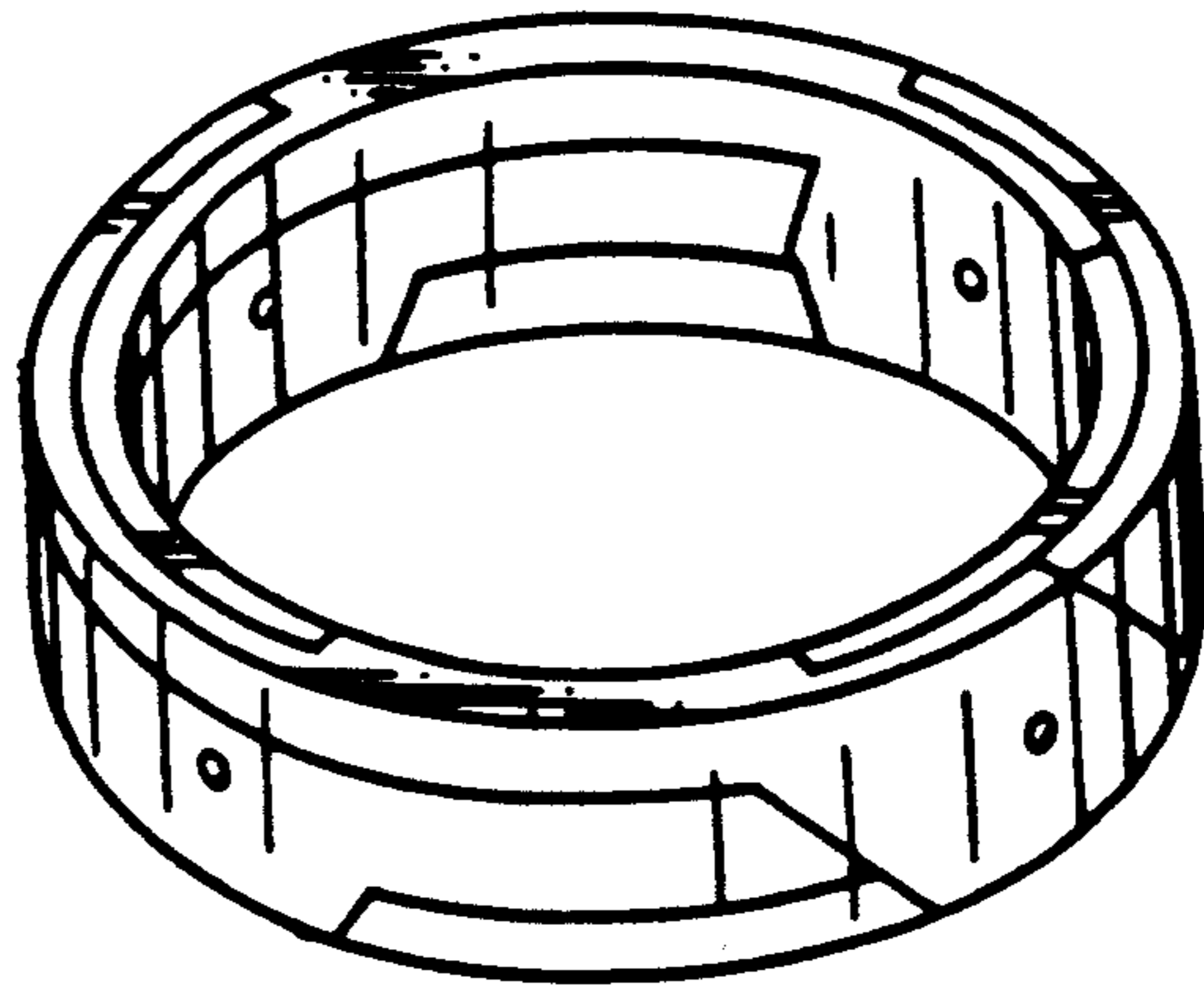


FIG. 1

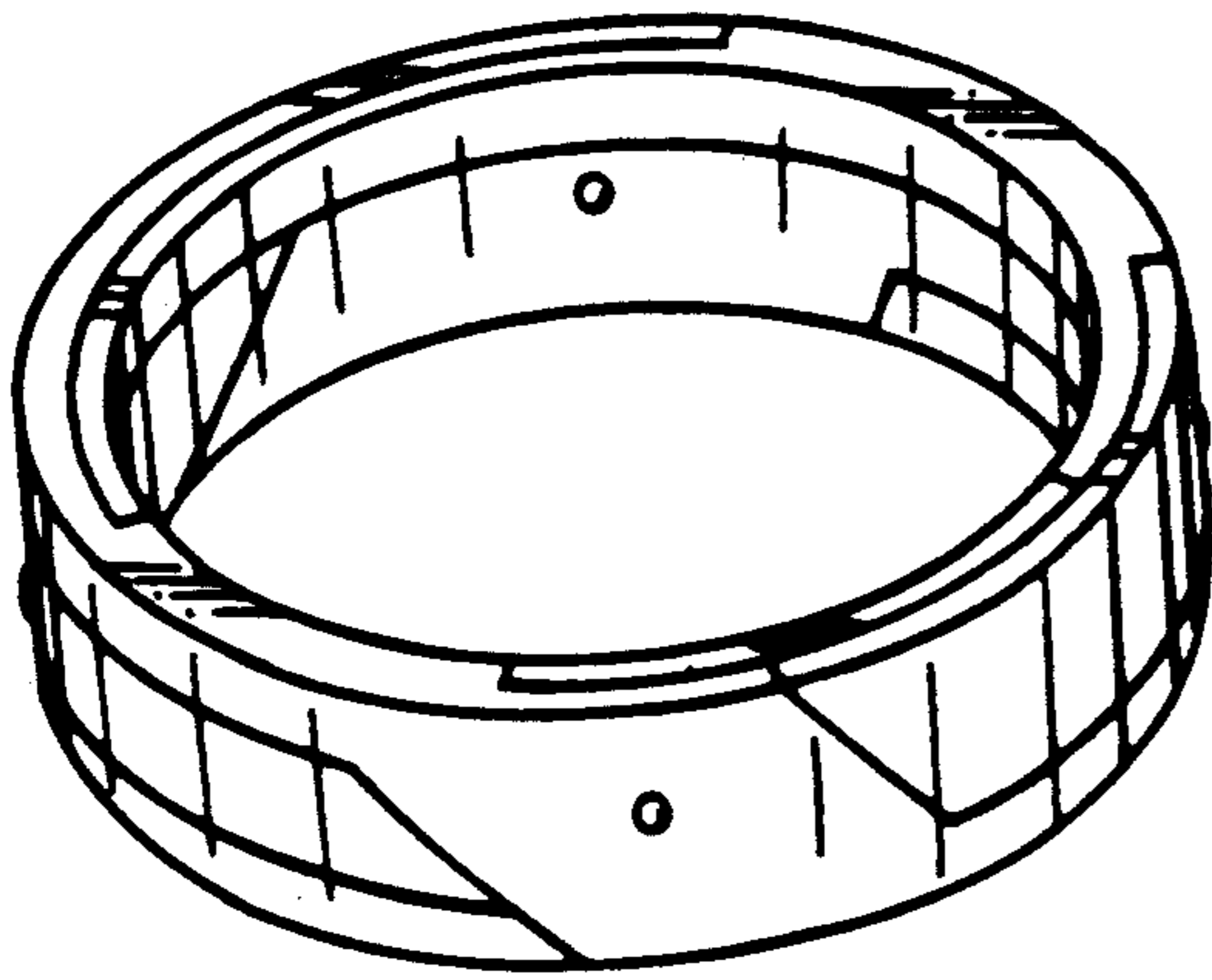
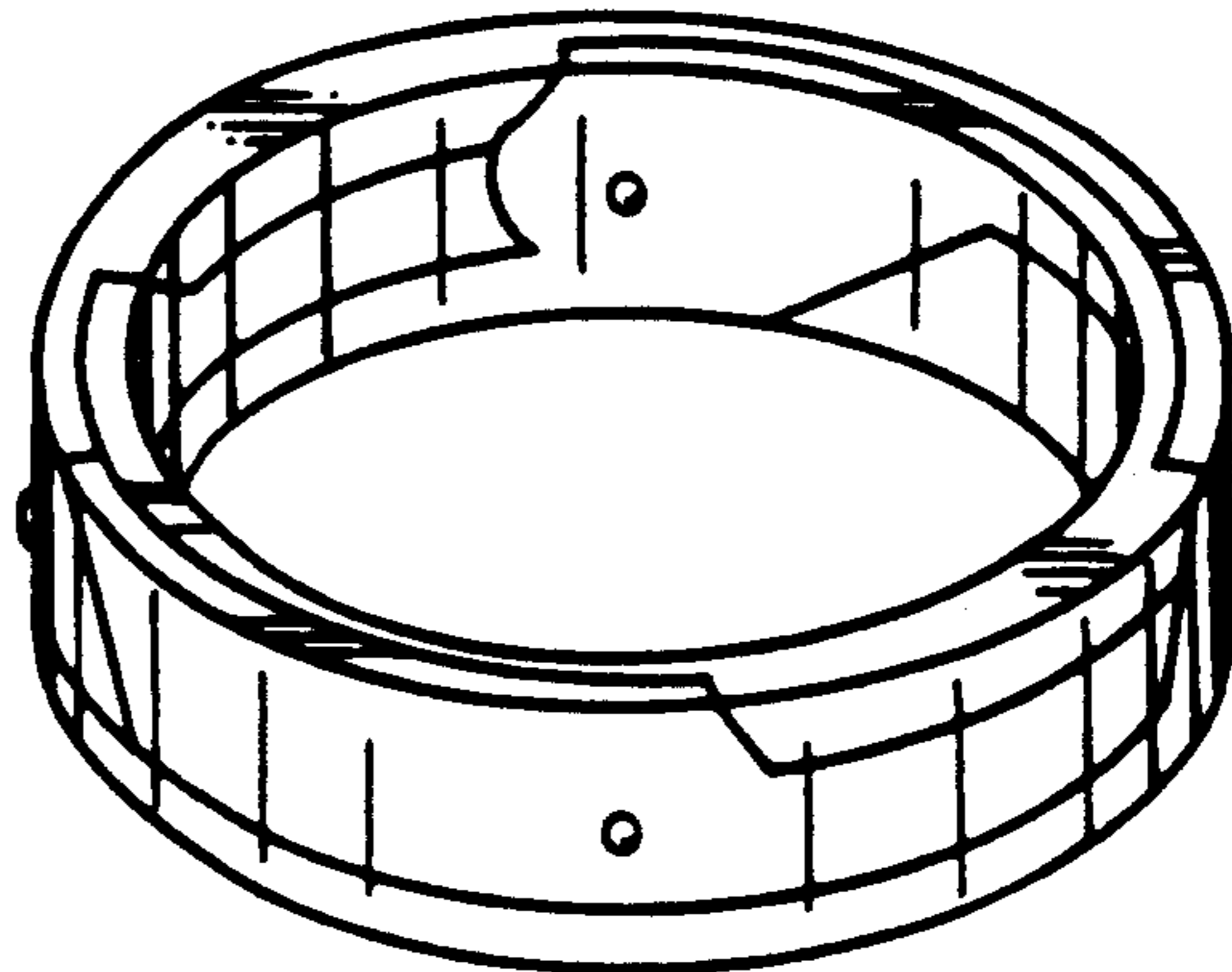


FIG. 2

FIG. 3



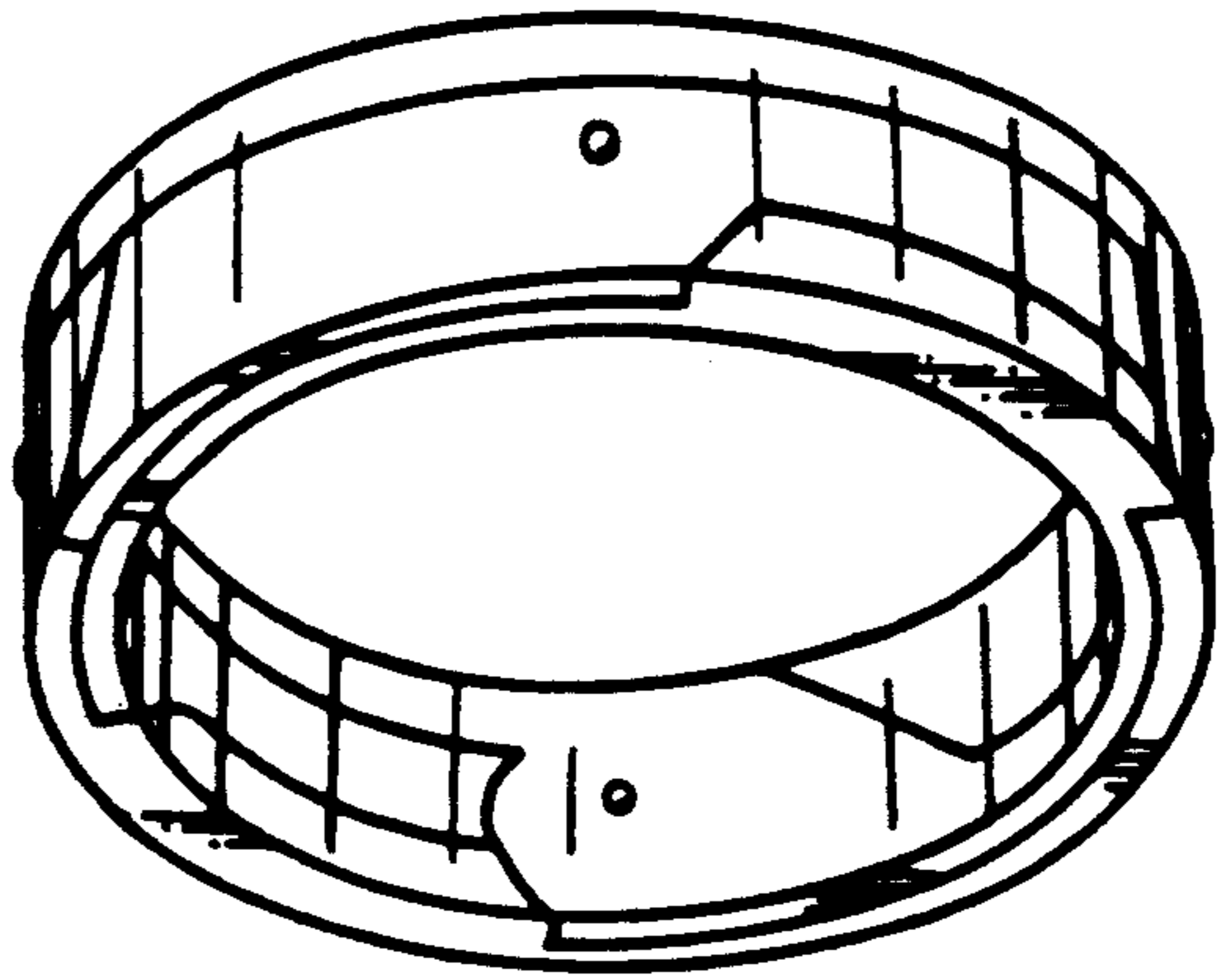


FIG. 4

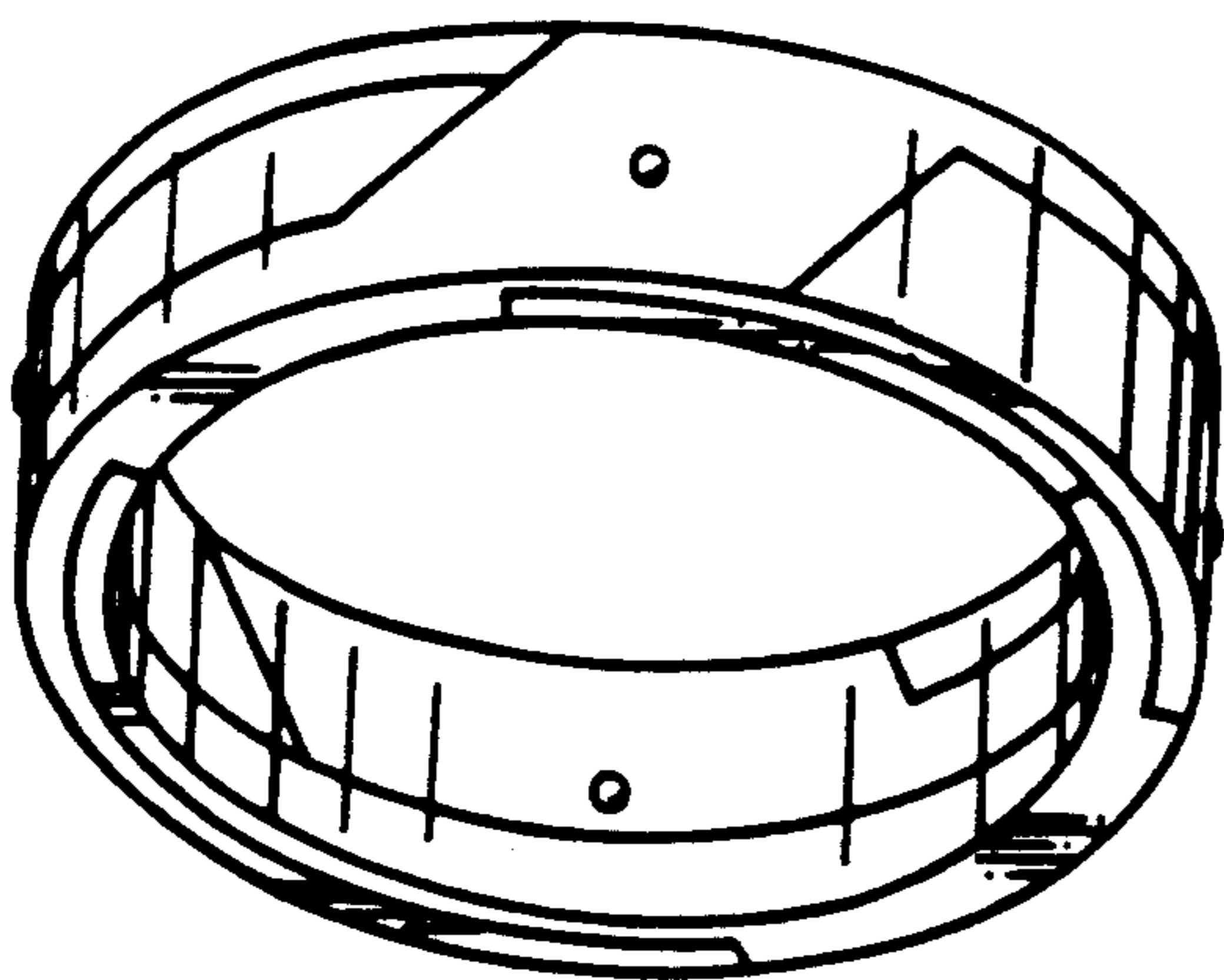
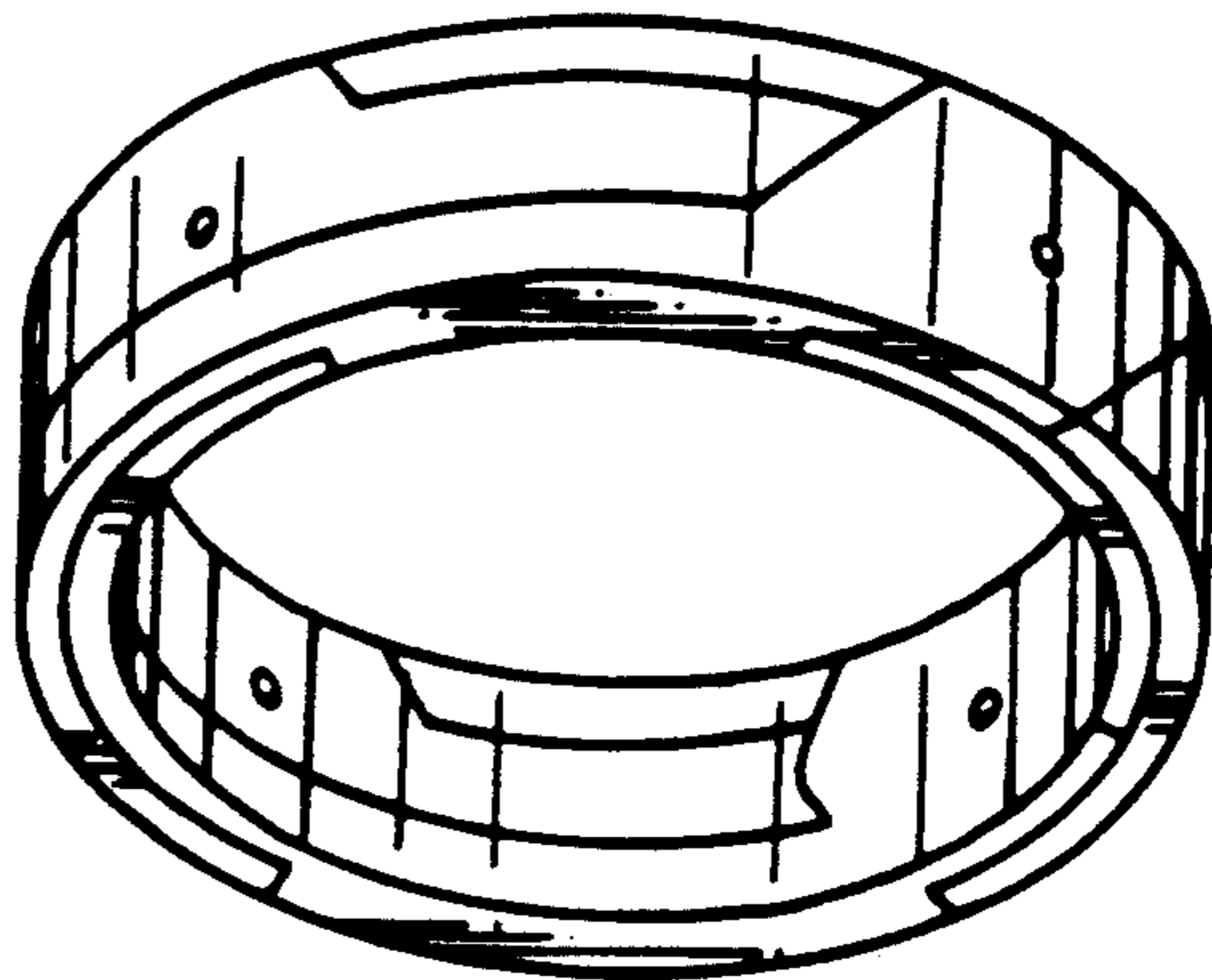


FIG. 5

FIG. 6



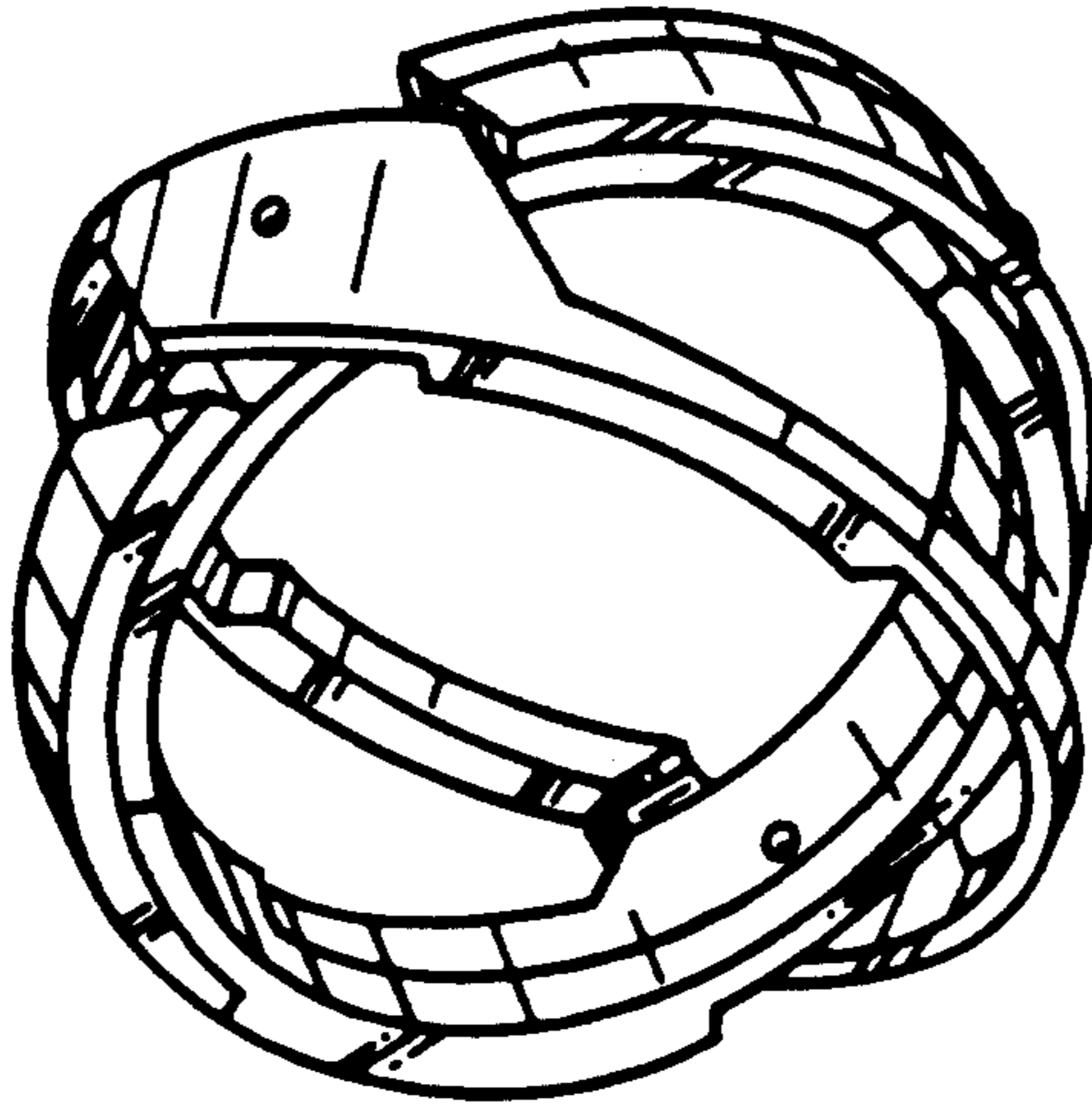


FIG. 7

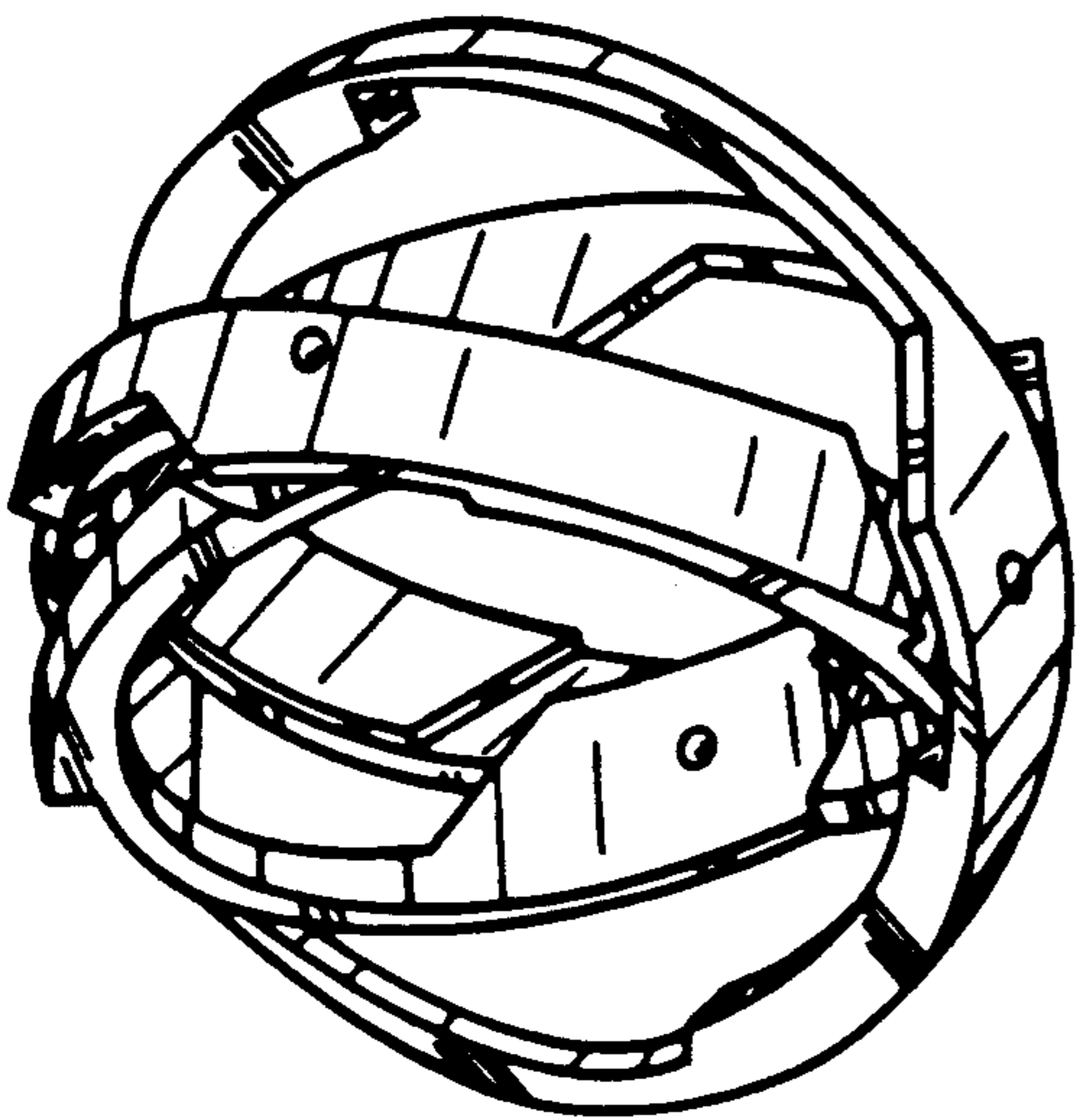


FIG. 8

FIG. 9

