



US00D343578S

# United States Patent [19]

[11] Patent Number: **Des. 343,578**

**Dinand**

[45] Date of Patent: **\*\* Jan. 25, 1994**

[54] **COMBINED PERFUME BOTTLE AND CLOSURE**

[75] Inventor: **Pierre Dinand, Levallois Perret, France**

[73] Assignee: **Florbath Profumi di parma SPA, Parma, Italy**

[\*\*] Term: **14 Years**

[21] Appl. No.: **722,233**

[22] Filed: **Jun. 20, 1991**

[30] **Foreign Application Priority Data**

Dec. 21, 1990 [FR] France ..... 908032

[52] U.S. Cl. .... **D9/520; D9/300; D9/516; D9/529**

[58] Field of Search ..... **D9/520, 516, 529, 523, D9/300, 526, 575, 544; 215/1 R, 1 C; D28/91.1**

[56] **References Cited**

**U.S. PATENT DOCUMENTS**

- D. 54,053 11/1919 Bruns ..... D9/520 X
- D. 60,563 3/1922 Morrison ..... D9/520
- D. 173,880 1/1955 Olifiers ..... D9/529

- D. 189,460 12/1960 Richter ..... D9/529
- D. 217,058 3/1970 Marsh ..... D9/529 X
- D. 268,330 3/1983 Aldrich, III ..... D9/544
- D. 322,217 12/1991 Dinand ..... D9/575

**OTHER PUBLICATIONS**

Beauty Fashion, Sep. 1980, p. 23, "Michelle" perfume bottle.

Estee Lauder Brochure, Fall-Winter 1985, "Beautiful" perfume bottle.

*Primary Examiner*—Bernard Ansher

*Assistant Examiner*—Lucy Lieberman

*Attorney, Agent, or Firm*—Curtis, Morris & Safford

[57] **CLAIM**

The ornamental design for a combined perfume bottle and closure, as shown and described.

**DESCRIPTION**

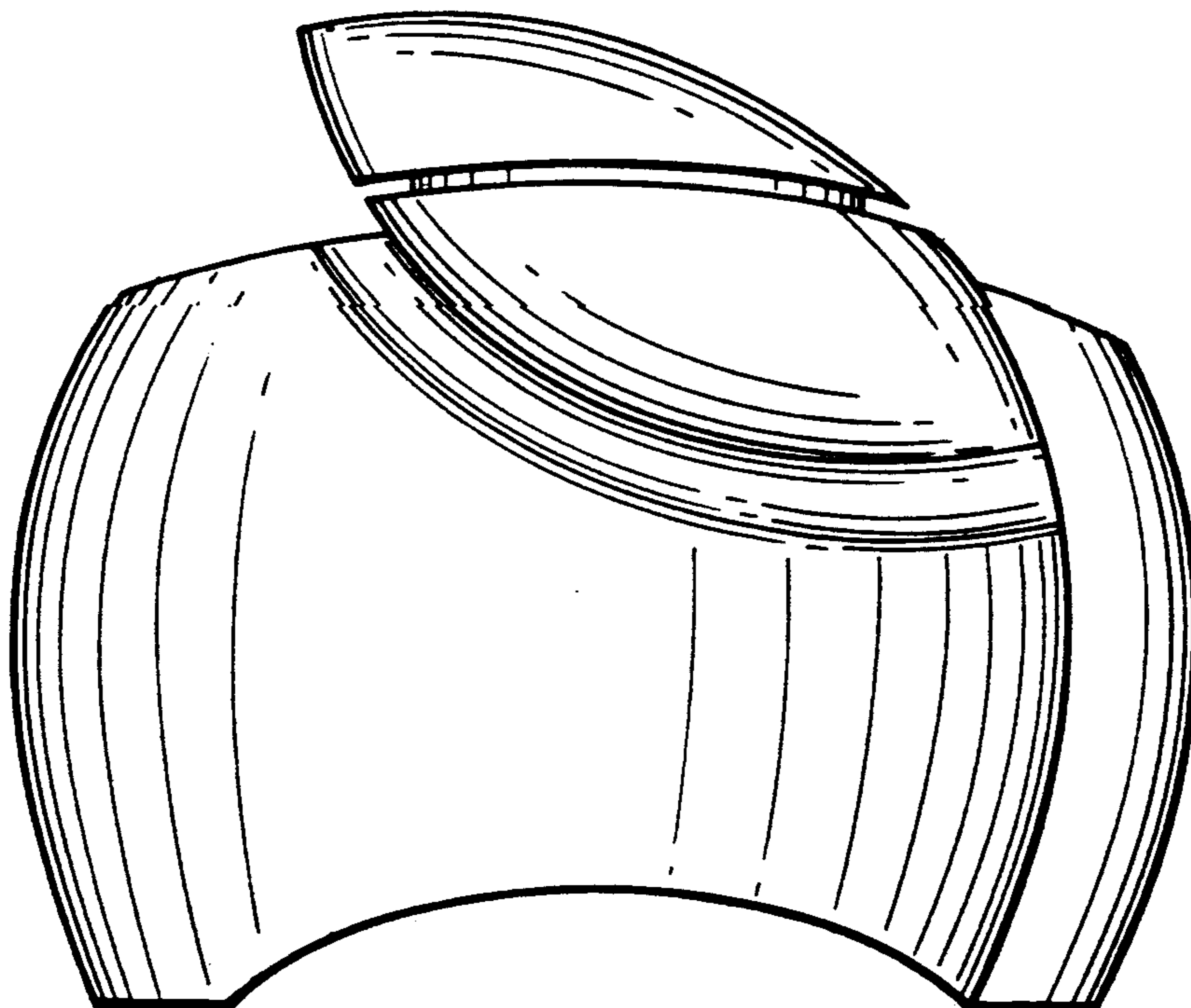
FIG. 1 is a front elevational view of a combined perfume bottle and closure showing my new design, the rear elevational view is a mirror image thereof;

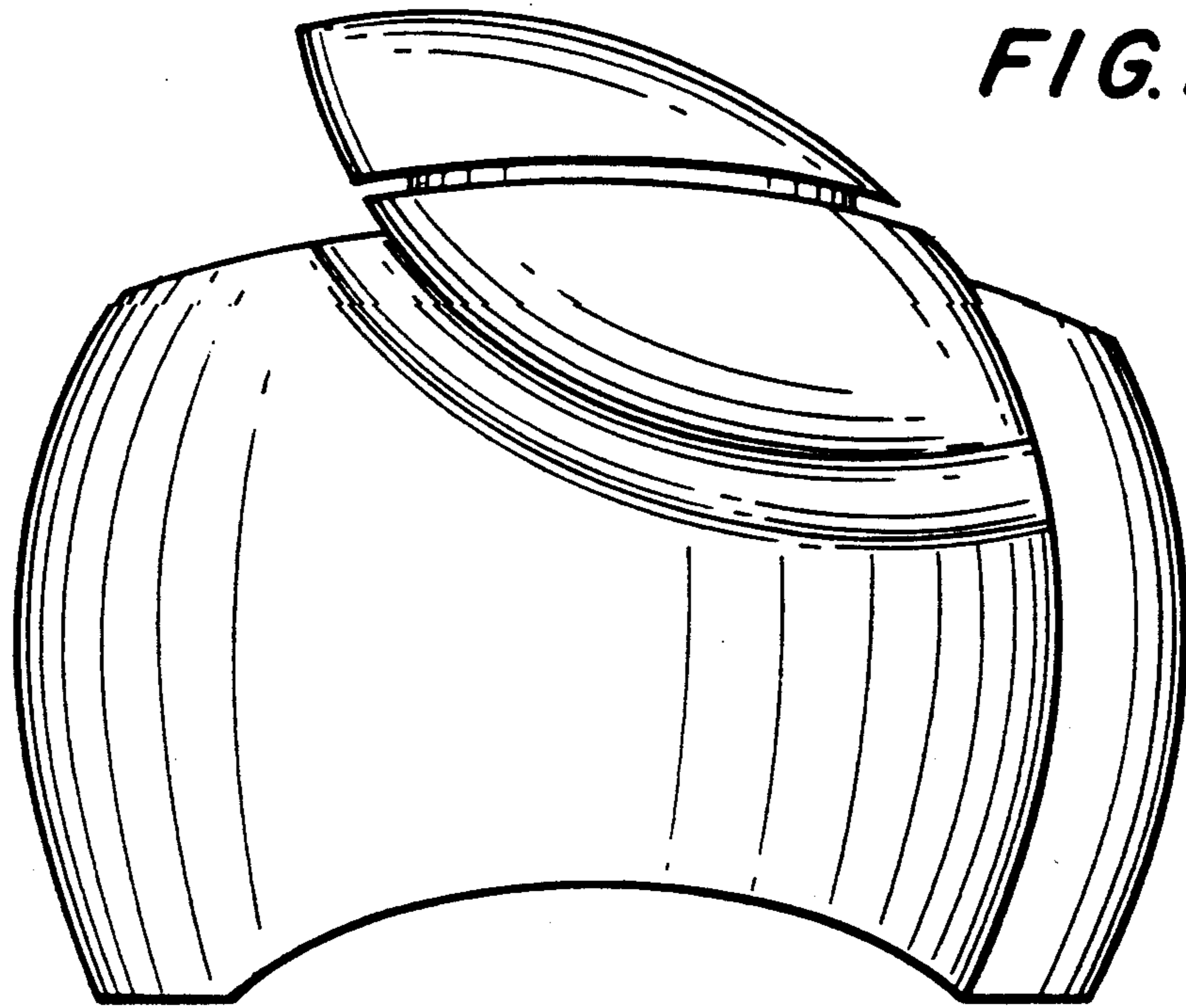
FIG. 2 is a right side view thereof;

FIG. 3 is a left side view thereof;

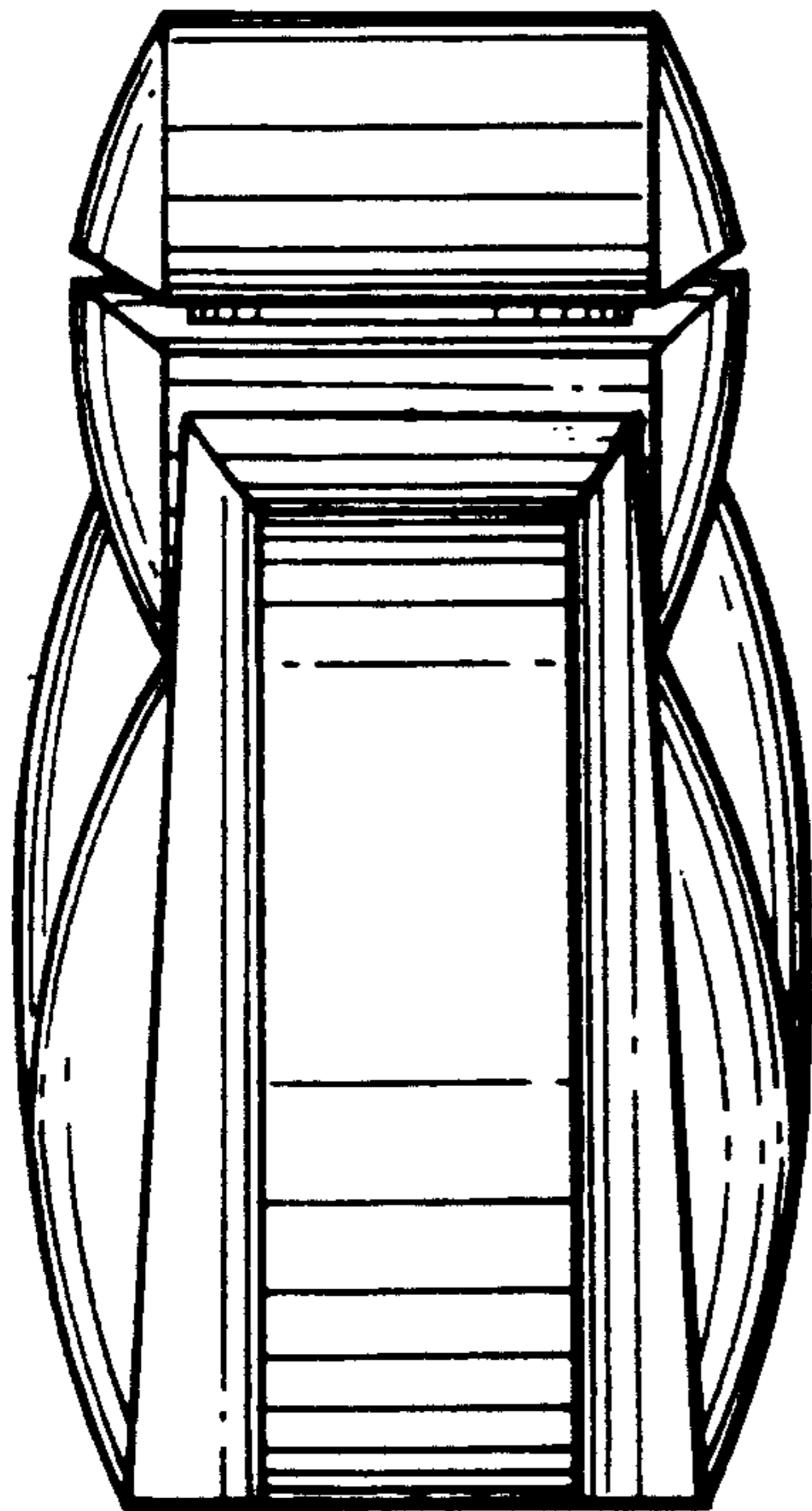
FIG. 4 is a bottom view thereof; and,

FIG. 5 is a top view thereof.

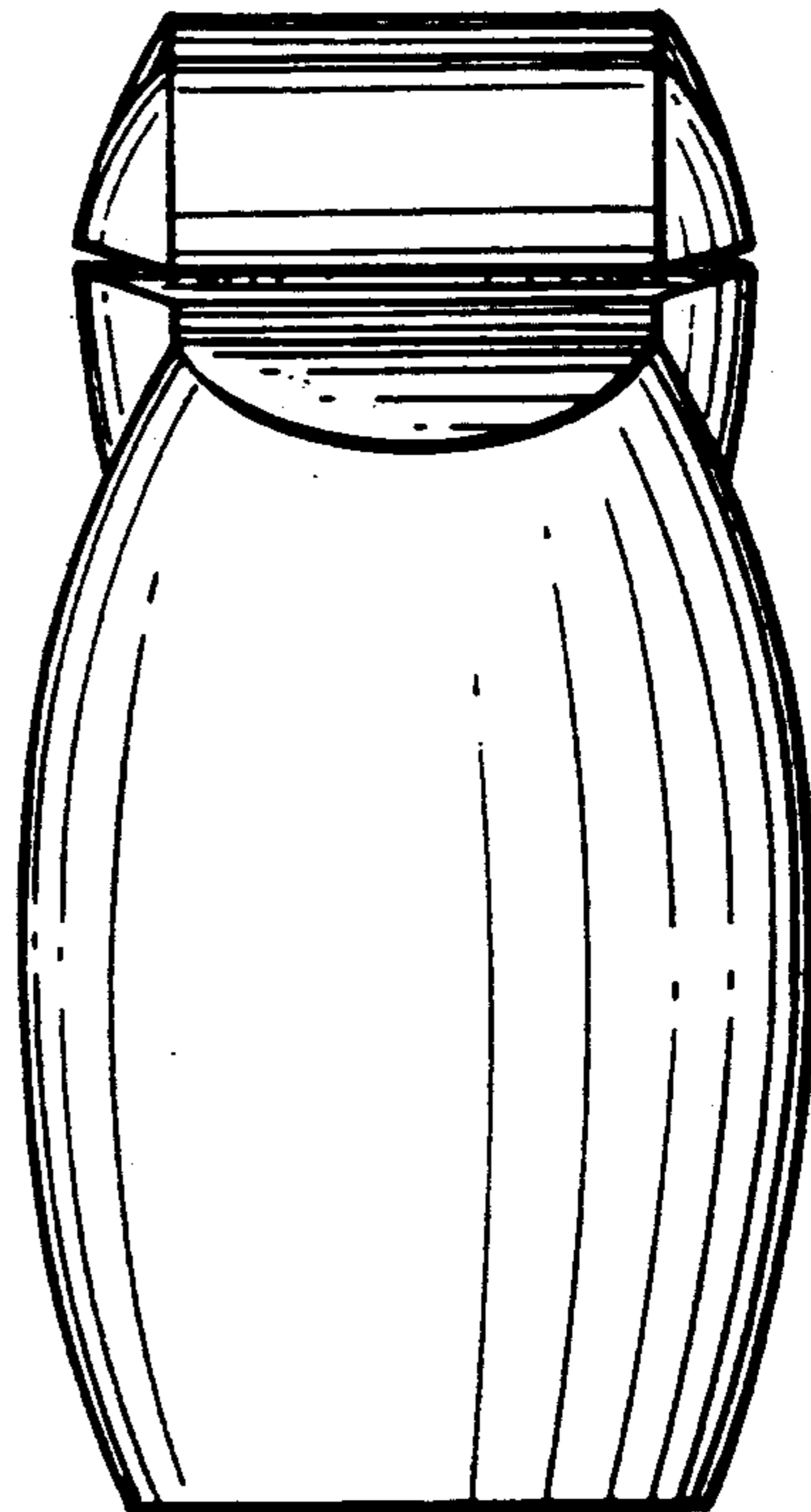




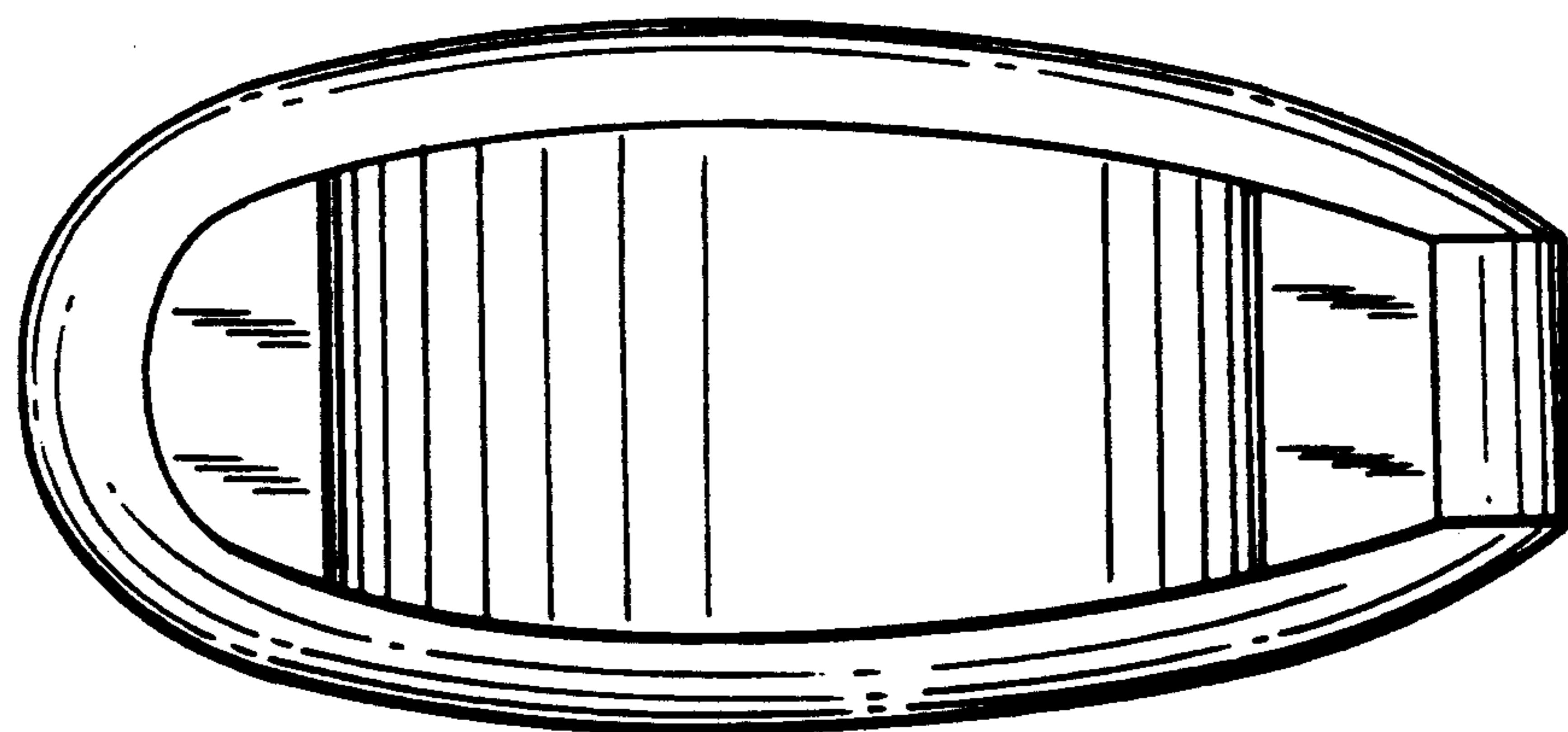
*FIG. 1*



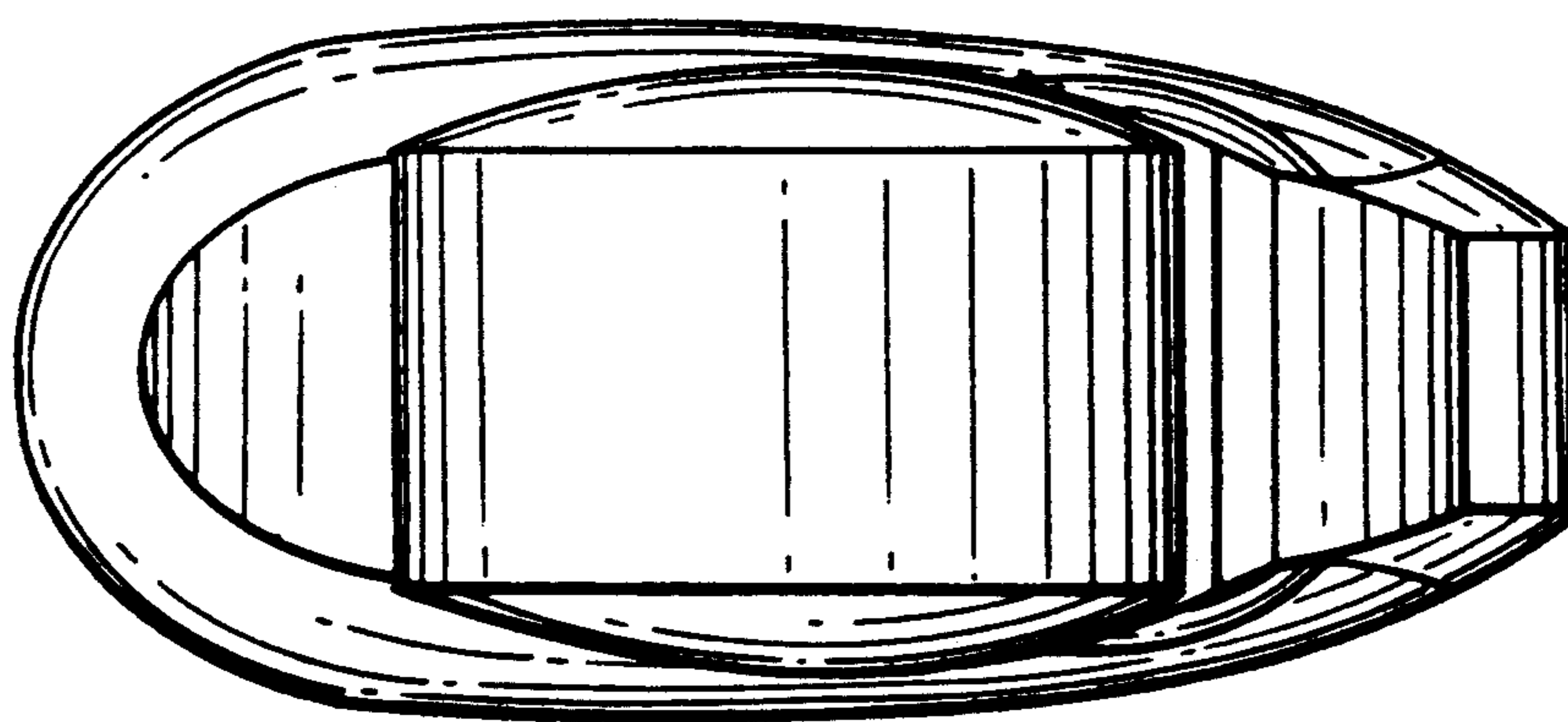
*FIG. 2*



*FIG. 3*



*FIG. 4*



*FIG. 5*