



US00D343569S

United States Patent [19]

[11] Patent Number: **Des. 343,569**

Jeng

[45] Date of Patent: **** Jan. 25, 1994**

[54] **PIVOTAL SUPPORT FOR SHELVES, BOOKCASES, OR CLOTHING**

2,643,000	6/1953	Morrison	211/100
3,966,056	6/1976	Larson	248/247
4,333,575	6/1982	Wong	211/100

[76] Inventor: **Chi-Tsun Jeng**, No. 9, Alley 30, Lane 122, Sec. 2 HS IH Wan Rd, Hsi Chih Chen, Taipei, Taiwan

Primary Examiner—B. J. Bullock
Attorney, Agent, or Firm—Bacon & Thomas

[**] Term: **14 Years**

[57] **CLAIM**

[21] Appl. No.: **717,128**

The ornamental design for a pivotal support for shelves, bookcases, or clothing, as shown and described.

[22] Filed: **Jun. 18, 1991**

DESCRIPTION

[52] U.S. Cl. **D8/381; D6/324; D8/366; D8/373; D19/34.1**

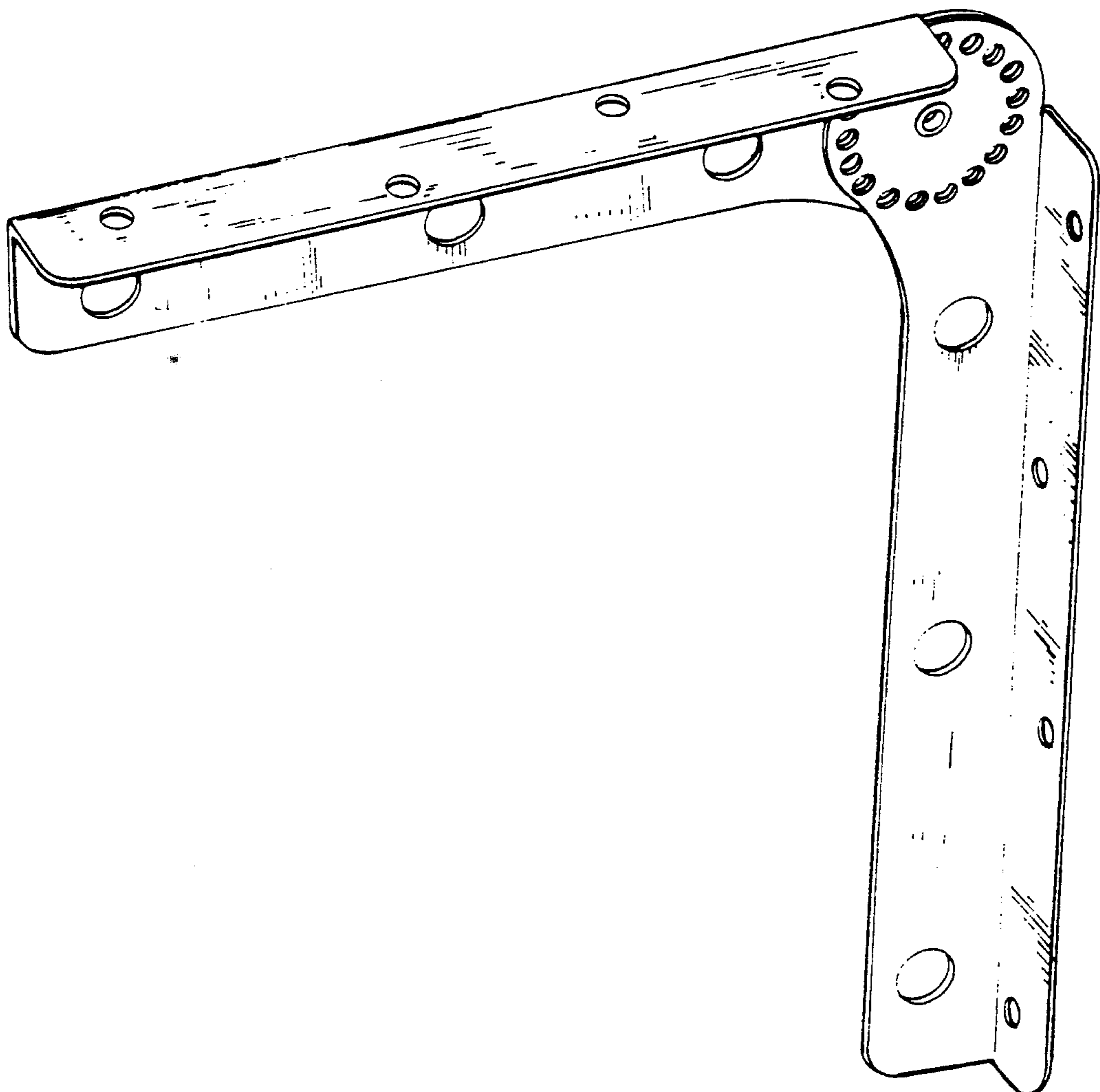
[58] **Field of Search** **D6/320, 324; D8/373, D8/380, 381, 363, 366; 248/240, 240.4, 241, 247, 289.1, 291, 300; 211/97, 100, 104; D19/34.1**

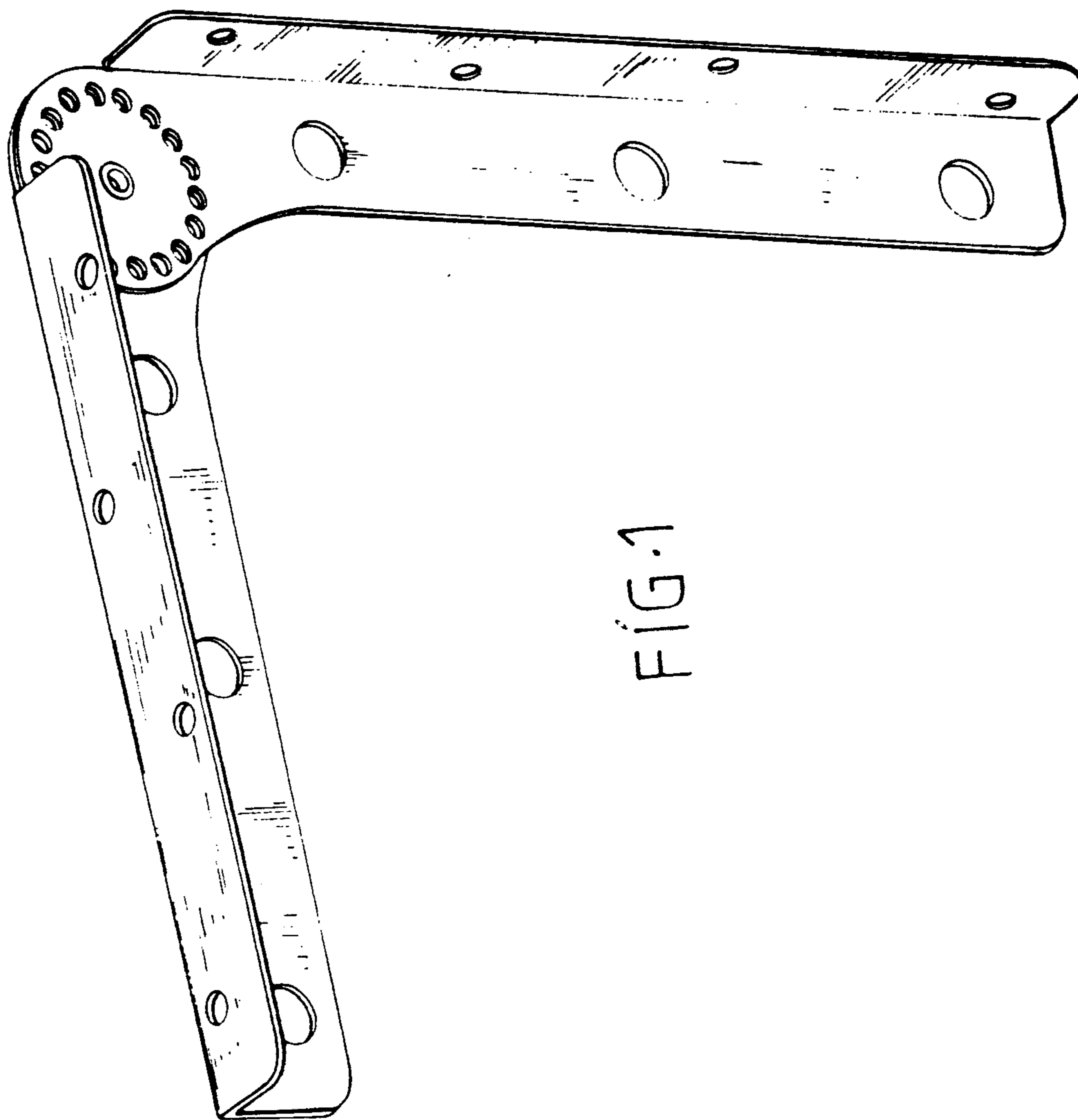
FIG. 1 is a perspective view of pivotal support for shelves, bookcases, or clothing showing my new design; FIG. 2 is a reduced front elevational view thereof; FIG. 3 is a reduced rear elevational view thereof; FIG. 4 is a reduced left side elevational view thereof; FIG. 5 is a reduced right side elevational view thereof; FIG. 6 is a reduced top plan view thereof; FIG. 7 is a reduced bottom plan view thereof; FIG. 8 is a perspective view thereof in its folded condition; and, FIG. 9 is a perspective view thereof in its fully extended condition.

[56] **References Cited**

U.S. PATENT DOCUMENTS

577,977	3/1897	Corscaden	248/247
1,347,116	7/1920	Morgan	248/247
2,570,731	10/1951	Susnow	248/247





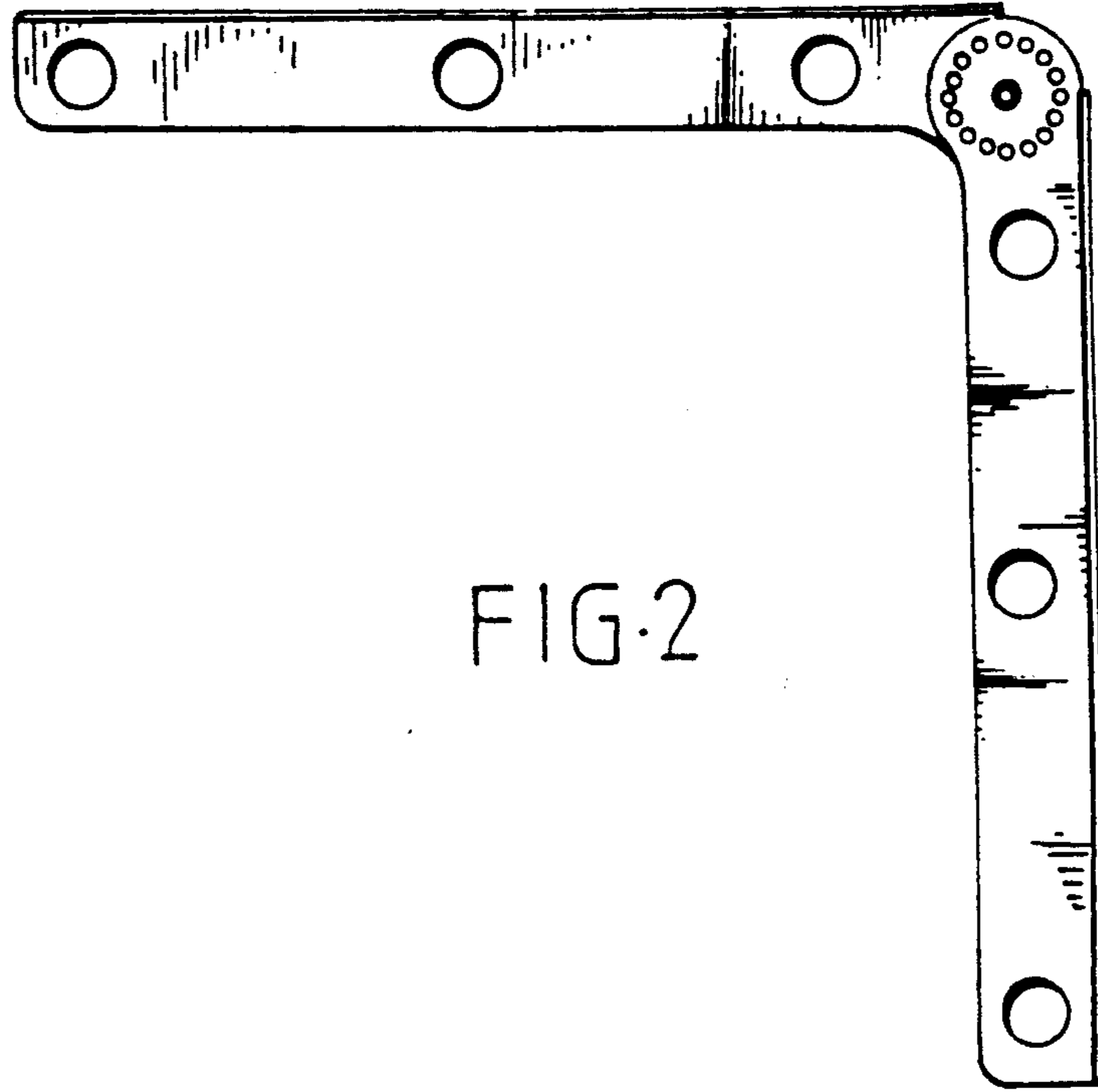


FIG. 2

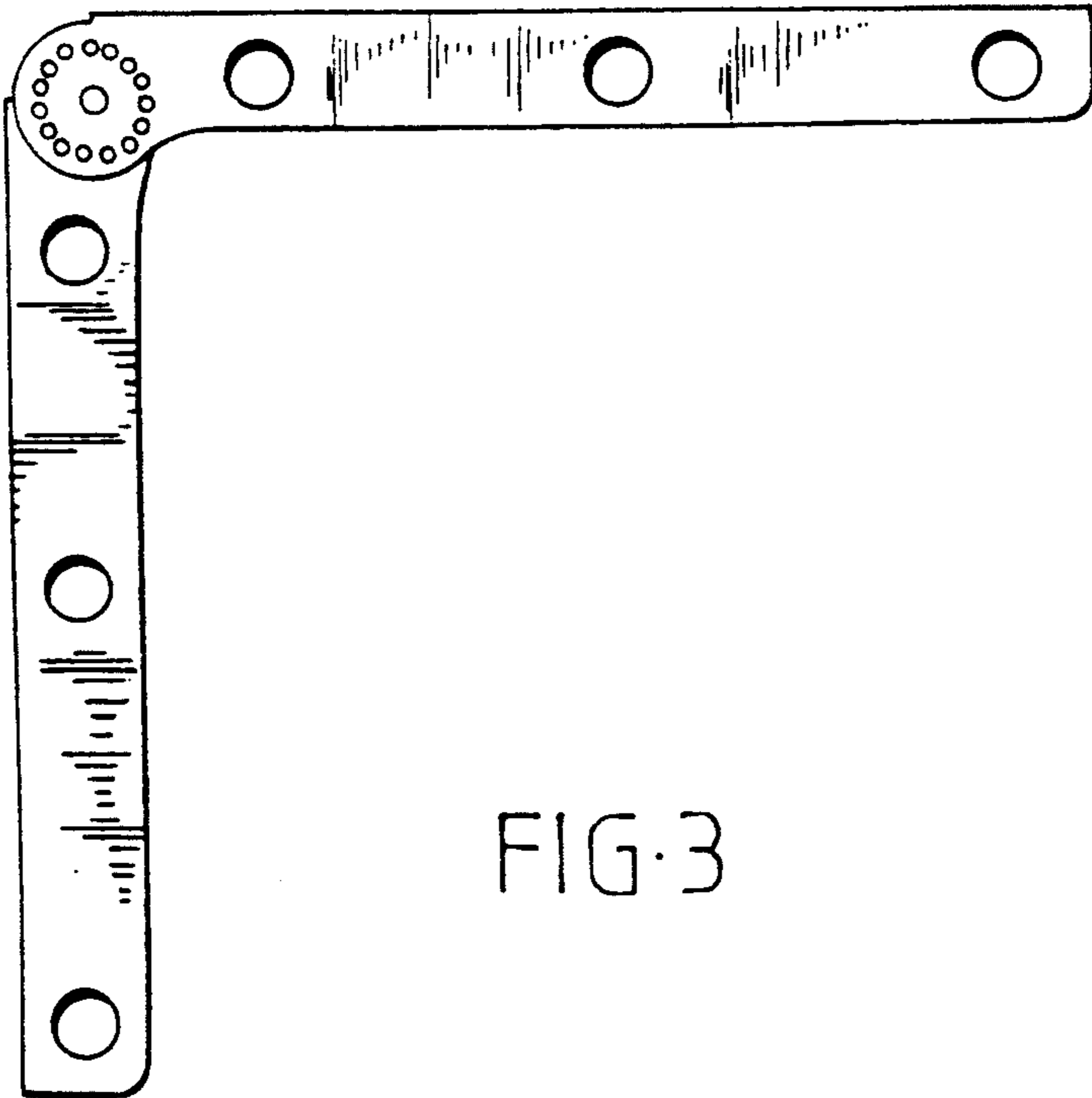


FIG. 3

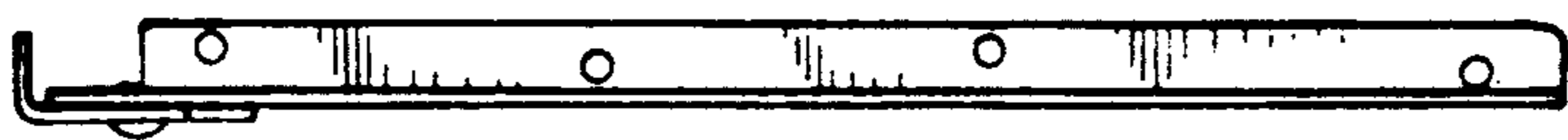


FIG. 4

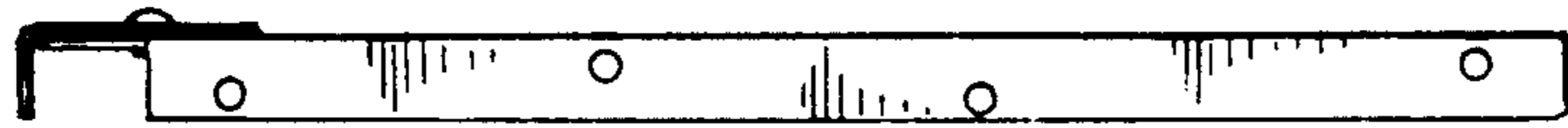


FIG. 5



FIG. 6

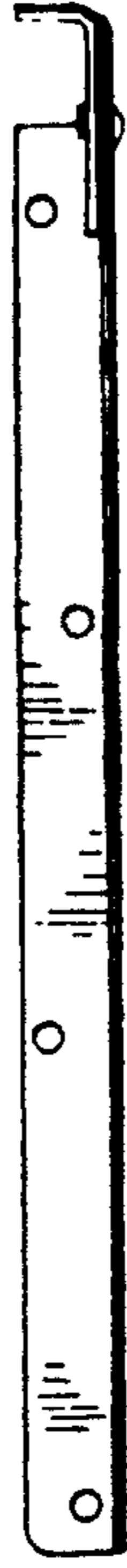


FIG. 7

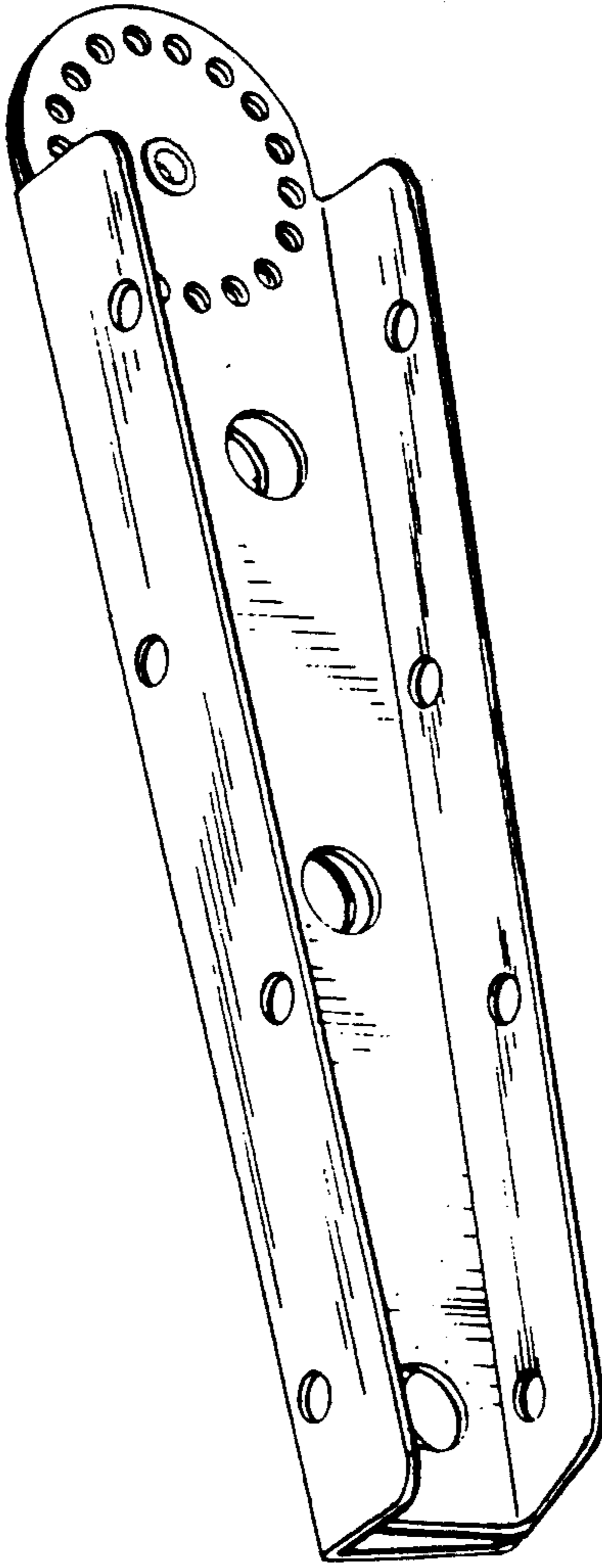


FIG. 8

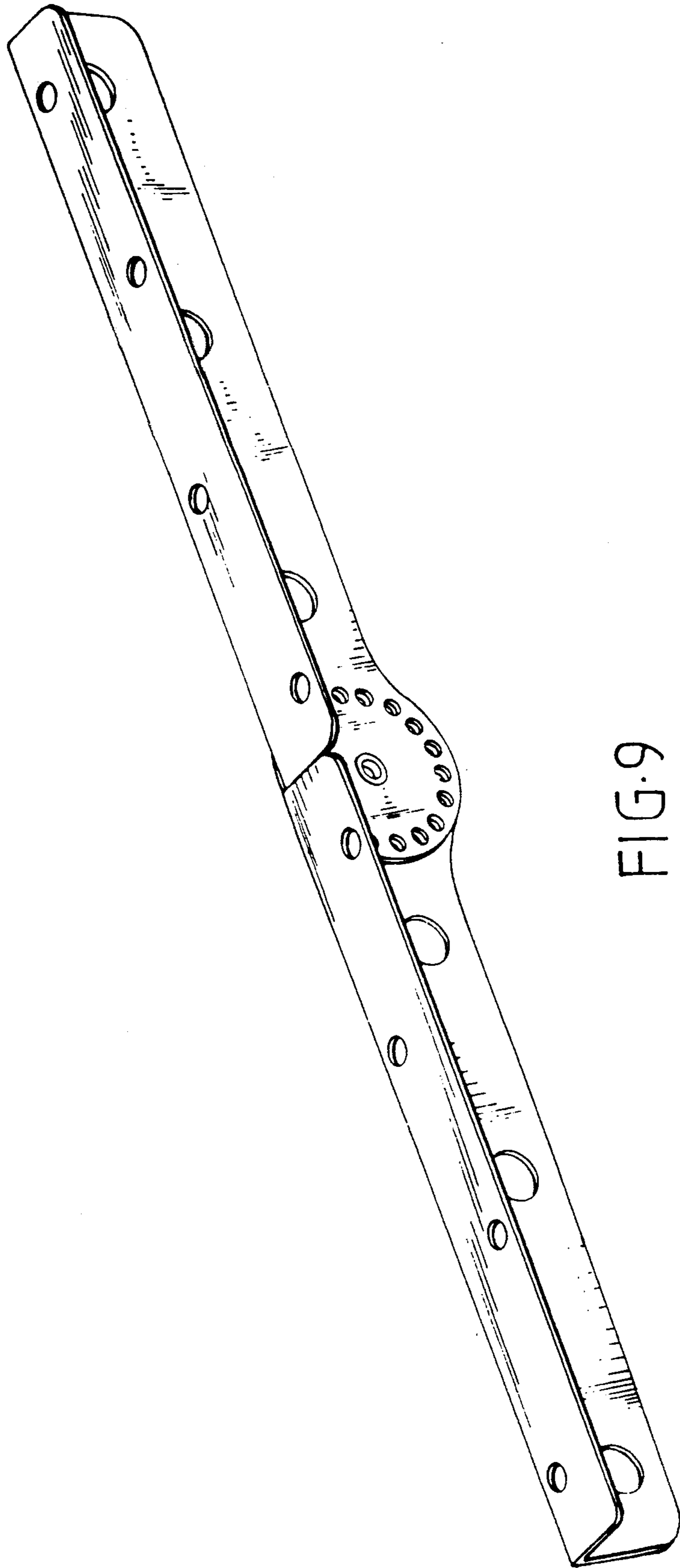


FIG. 9