



US00D343567S

# United States Patent [19]

[11] Patent Number: **Des. 343,567**

**Okumura**

[45] Date of Patent: **\*\* Jan. 25, 1994**

[54] DRIVER DRILL

[56] References Cited

[75] Inventor: **Michio Okumura, Okazaki, Japan**

### U.S. PATENT DOCUMENTS

D. 300,503 4/1989 Schultz ..... D8/68  
D. 301,114 5/1989 Fushiya et al. .... D8/68

[73] Assignee: **Makita Corporation, Anjo, Japan**

*Primary Examiner*—Nelson C. Holtje  
*Assistant Examiner*—Jeff Musgrove  
*Attorney, Agent, or Firm*—Lahive & Cockfield

[\*\*] Term: **14 Years**

[57] CLAIM

[21] Appl. No.: **821,467**

The ornamental design for a driver drill, as shown and described.

[22] Filed: **Jan. 15, 1992**

### DESCRIPTION

[30] Foreign Application Priority Data

FIG. 1 is a perspective view of a driver drill showing my new design;  
FIG. 2 is a front elevational view thereof;  
FIG. 3 is a rear elevational view thereof;  
FIG. 4 is a left hand elevational view thereof;  
FIG. 5 is a right hand elevational view thereof;  
FIG. 6 is a top plan view thereof; and,  
FIG. 7 is a bottom plan view thereof.

Nov. 19, 1991 [JP] Japan ..... 3-34910

[52] U.S. Cl. .... D8/68

[58] Field of Search ..... D8/61, 68; 81/57.11,  
81/57.13; 173/170, 93.7, 90; 408/124, 125

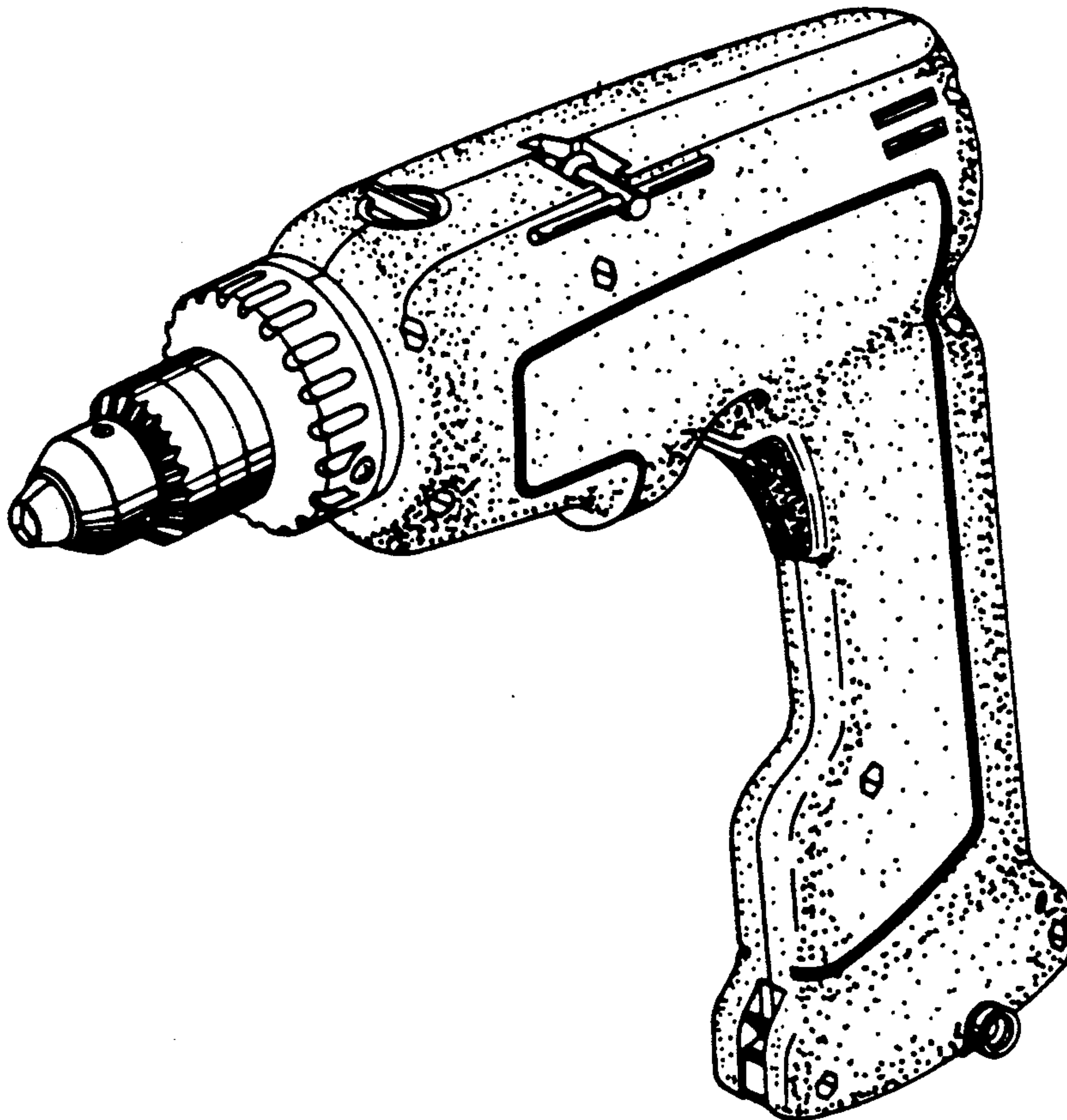


FIG. 1

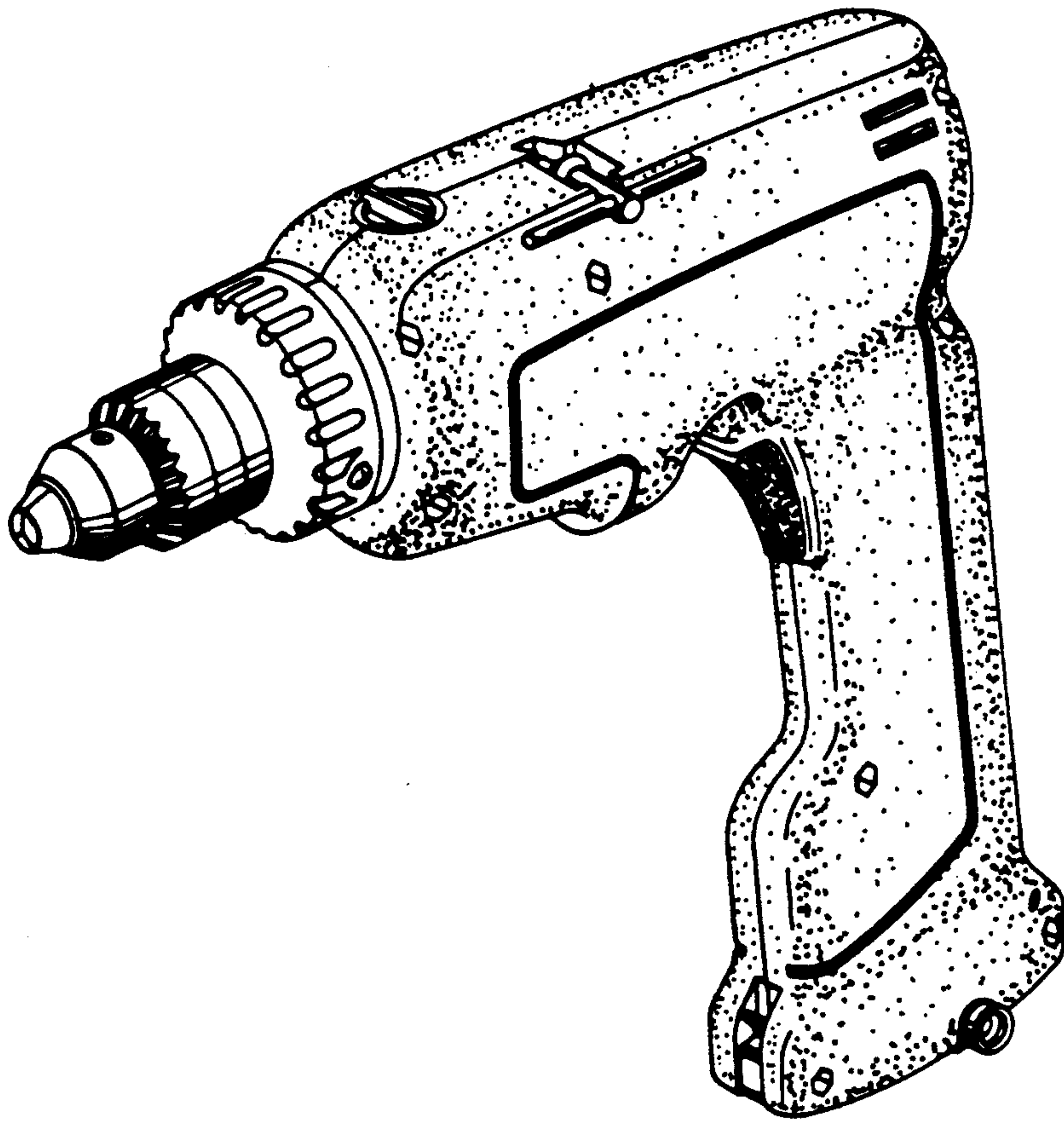


FIG. 2

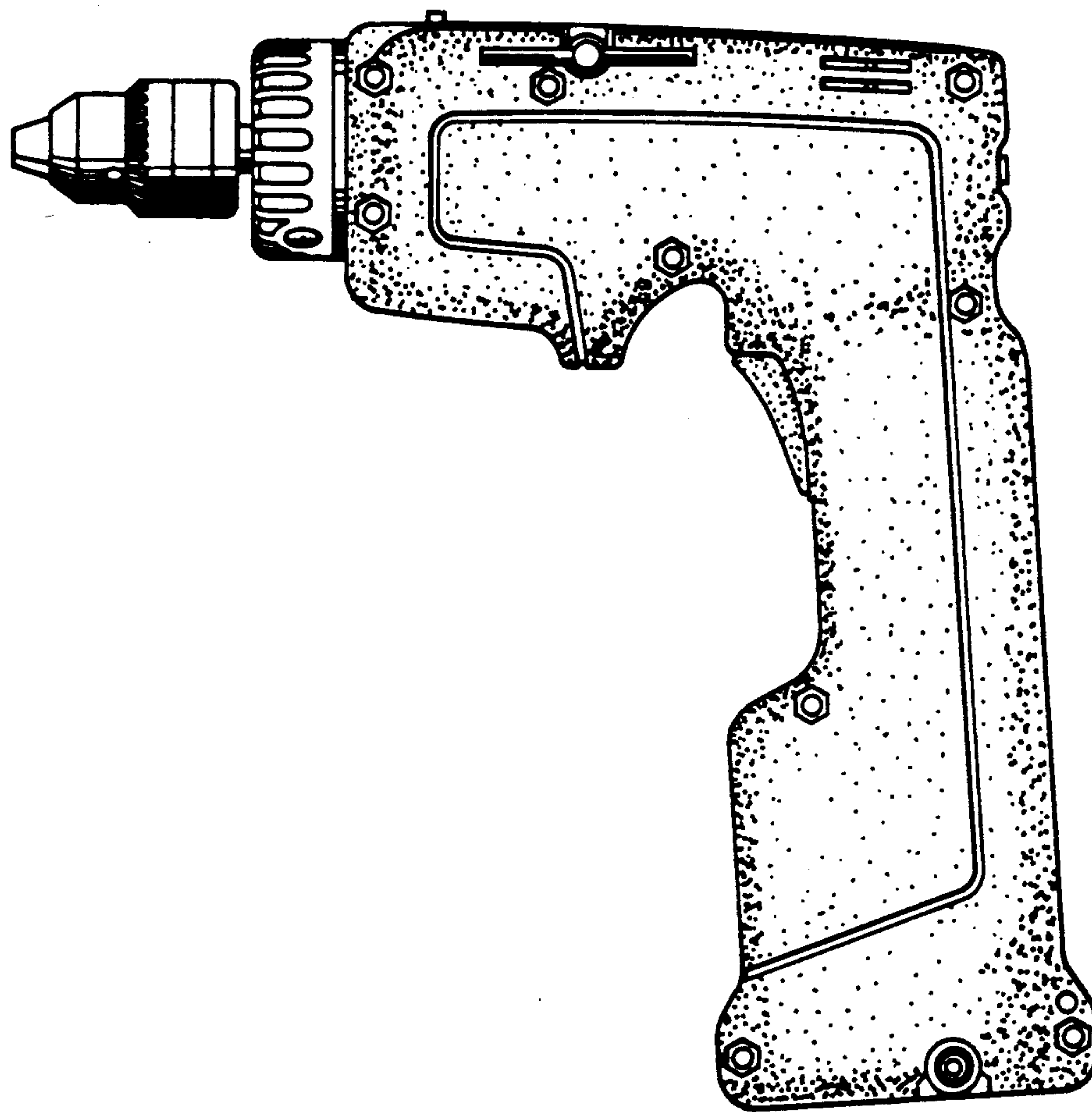


FIG. 3

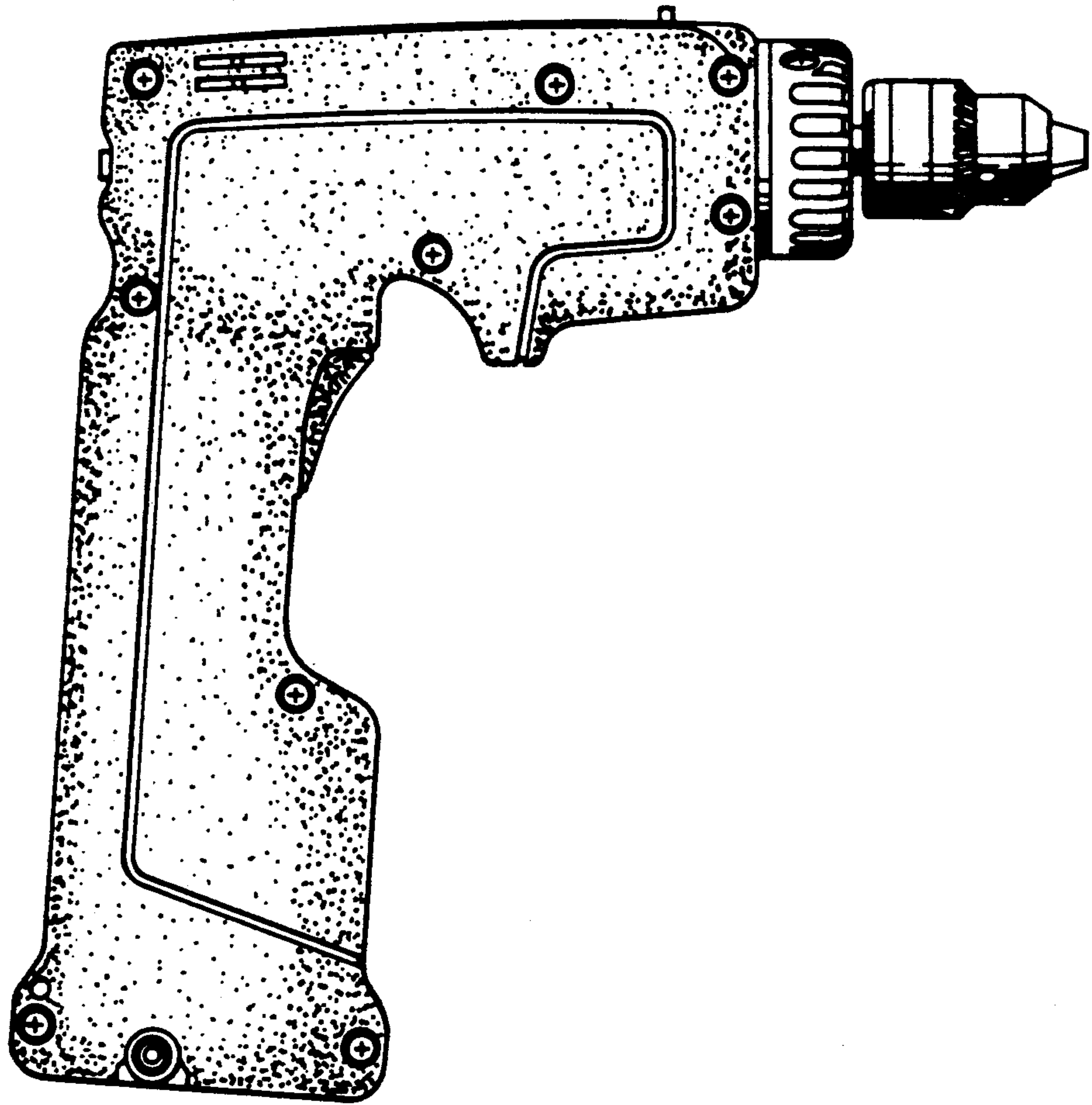


FIG. 4

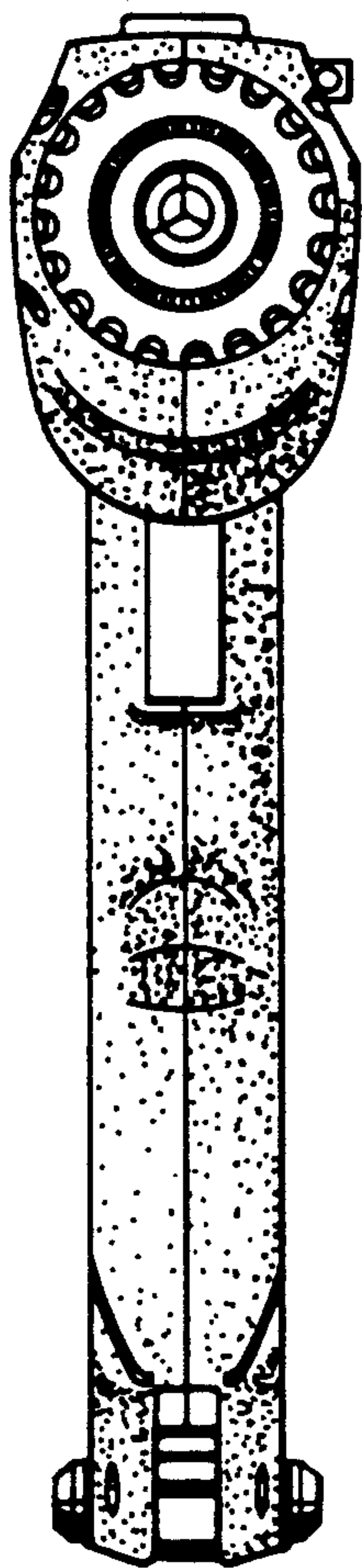


FIG. 5

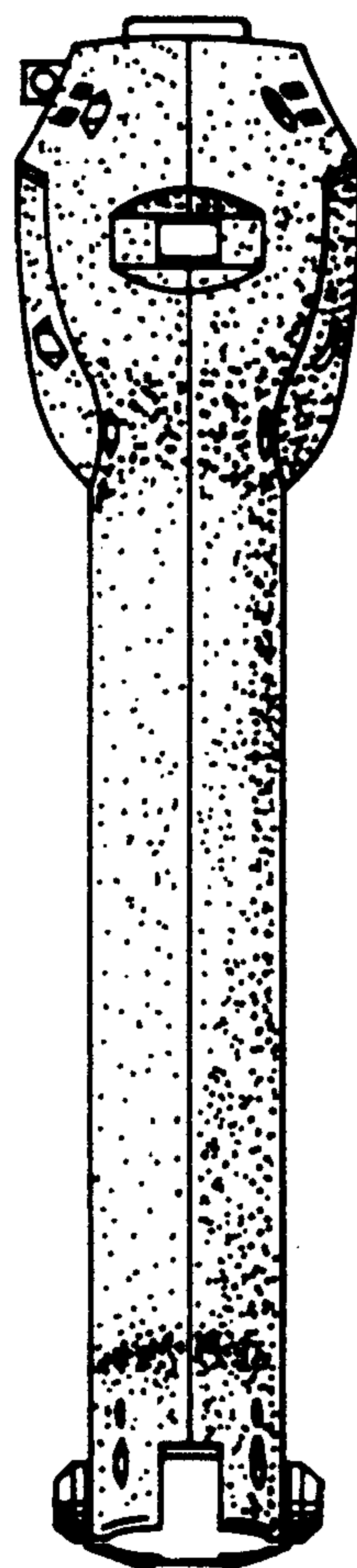




FIG. 6

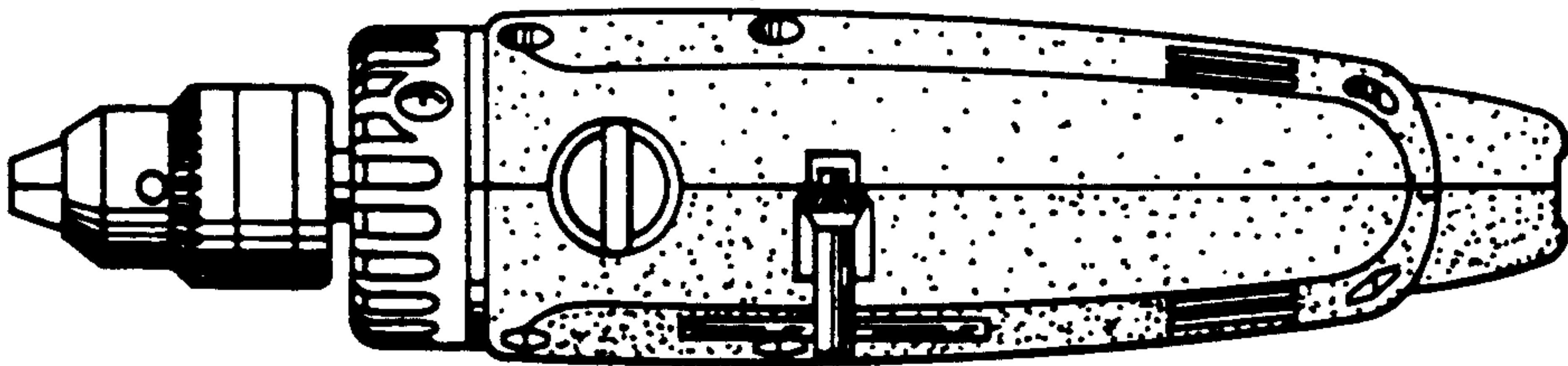


FIG. 7

