



US00D343564S

# United States Patent [19]

Donofrio

[11] Patent Number: Des. 343,564

[45] Date of Patent: \*\* Jan. 25, 1994

[54] DOOR HANDLE ADAPTER

[75] Inventor: Philip J. Donofrio, Oxford, Conn.

[73] Assignee: Leeverall, Inc., Ansonia, Conn.

[\*\*] Term: 14 Years

[21] Appl. No.: 2,952

[22] Filed: Dec. 23, 1992

[52] U.S. Cl. .... D8/308; D8/321

[58] Field of Search ..... D8/307, 308, 321;  
16/110 R, 114 R; 292/336.3, DIG. 2, 347

[56] References Cited

U.S. PATENT DOCUMENTS

D. 219,861	2/1971	Coffman	.....	D8/308
D. 268,984	5/1983	Bergen	.....	D8/308
D. 289,369	4/1987	Foshee	.....	D8/321
4,285,536	8/1981	McCoy et al.	.....	292/336.3

4,502,719 3/1985 Perry ..... 292/347  
4,971,375 11/1990 Grecco ..... 292/336.3

Primary Examiner—B. J. Bullock

Attorney, Agent, or Firm—Bachman & LaPointe

[57] CLAIM

The ornamental design for a door handle adapter, as shown and described.

DESCRIPTION

FIG. 1 is a top plan view of a door handle adapter embodying my new design;

FIG. 2 is a side elevational view taken from the bottom of FIG. 1, the side opposite being a mirror image;

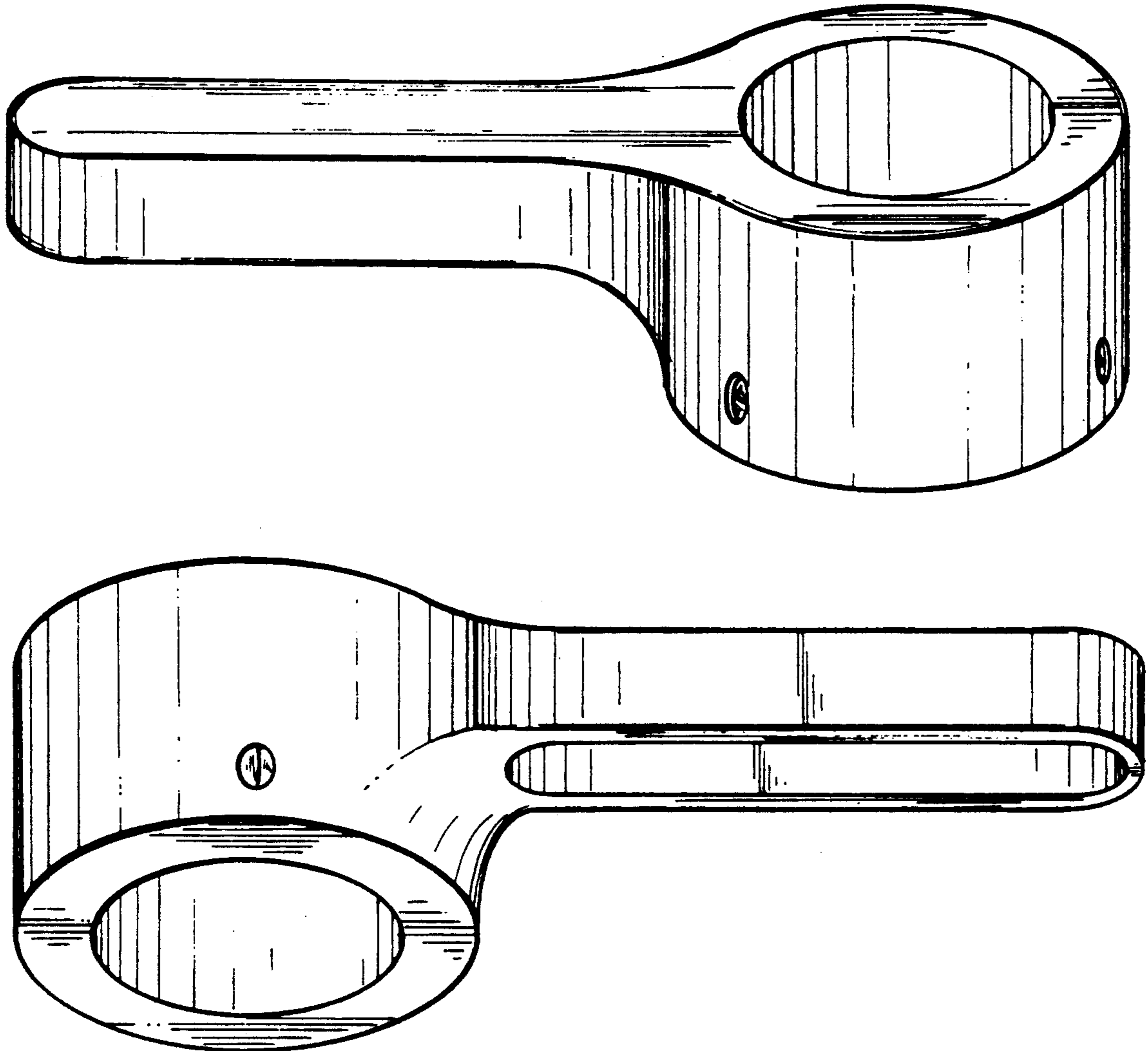
FIG. 3 is a bottom plan view thereof;

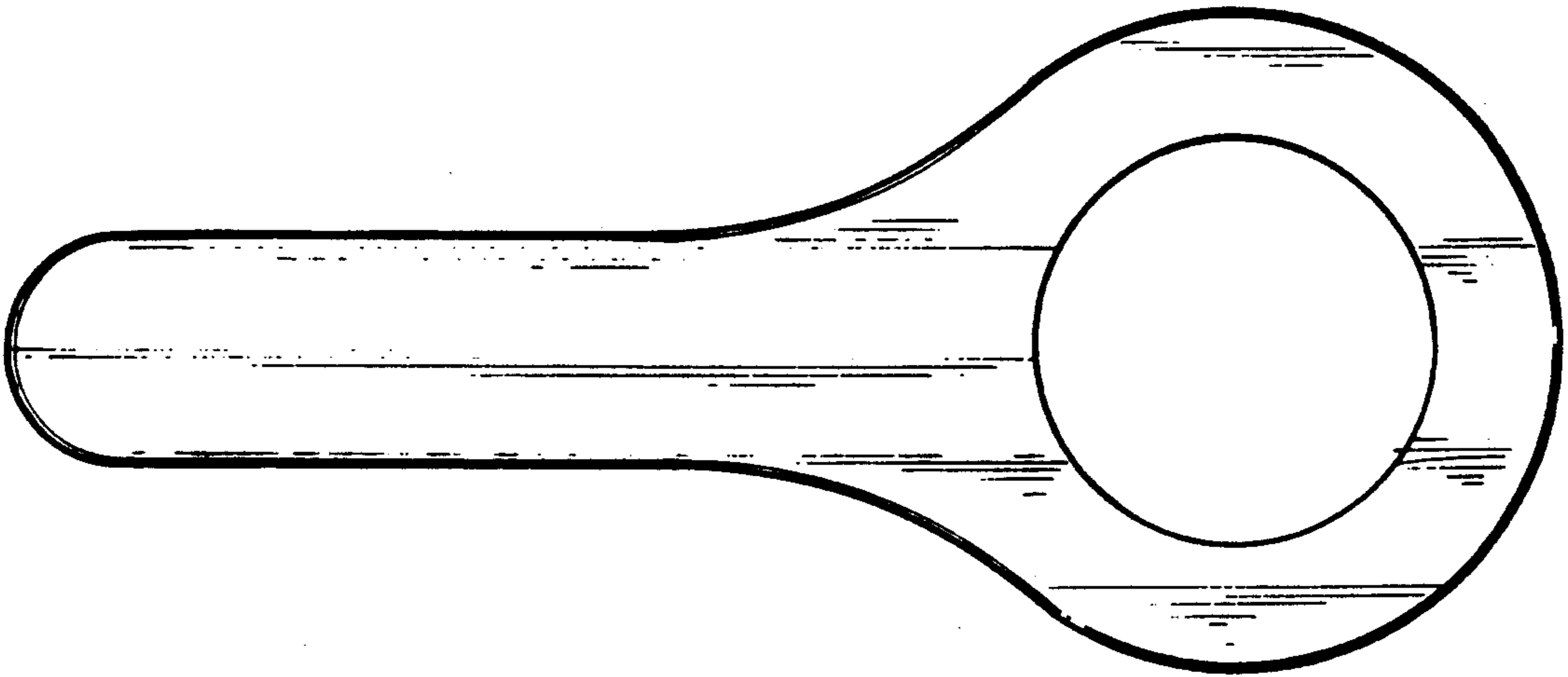
FIG. 4 is a top perspective view thereof;

FIG. 5 is a bottom perspective view thereof;

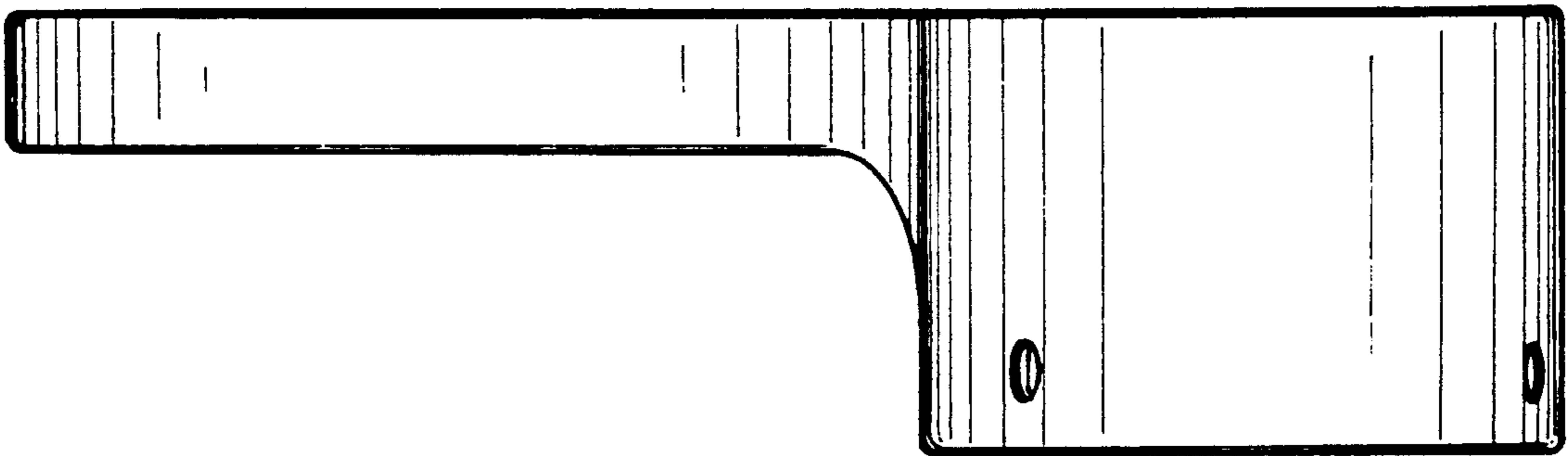
FIG. 6 is a left end elevational view thereof; and,

FIG. 7 is a right end elevational view thereof.

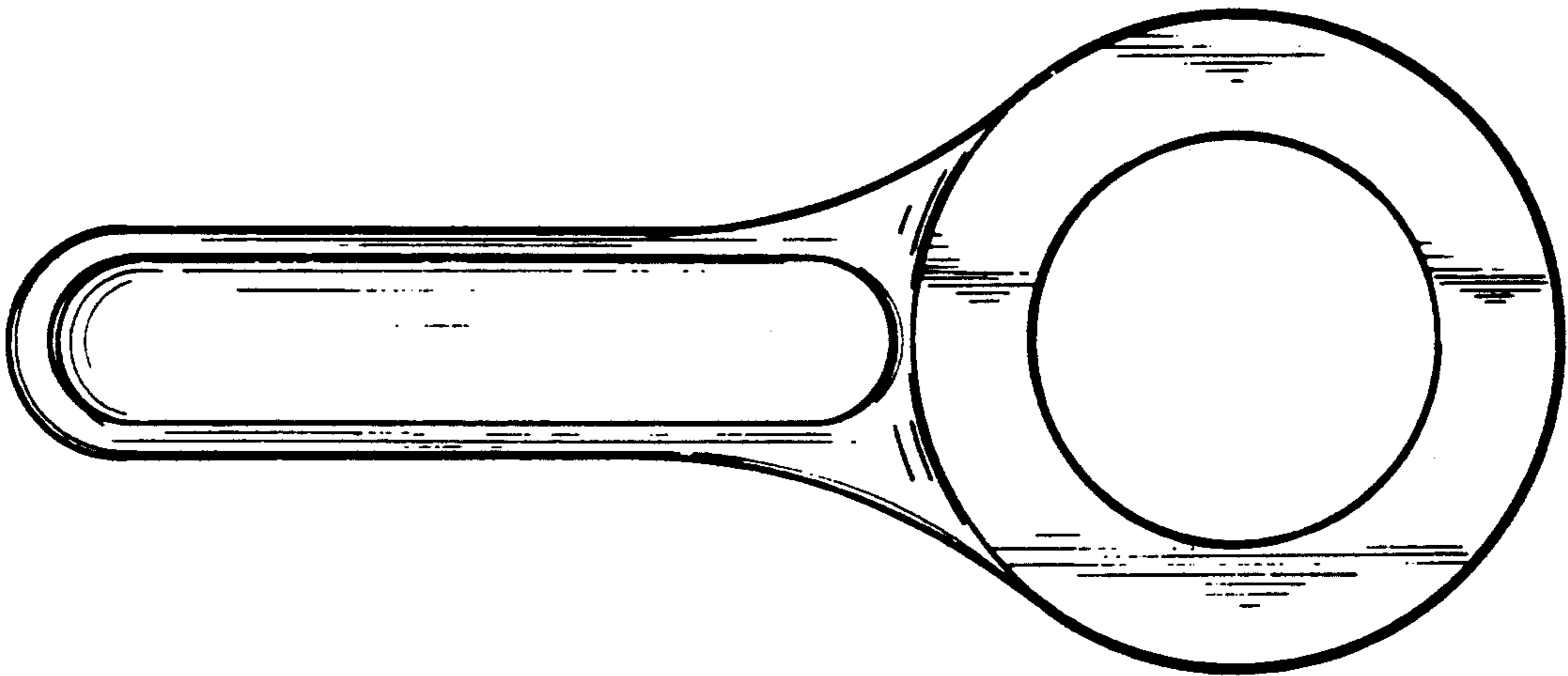




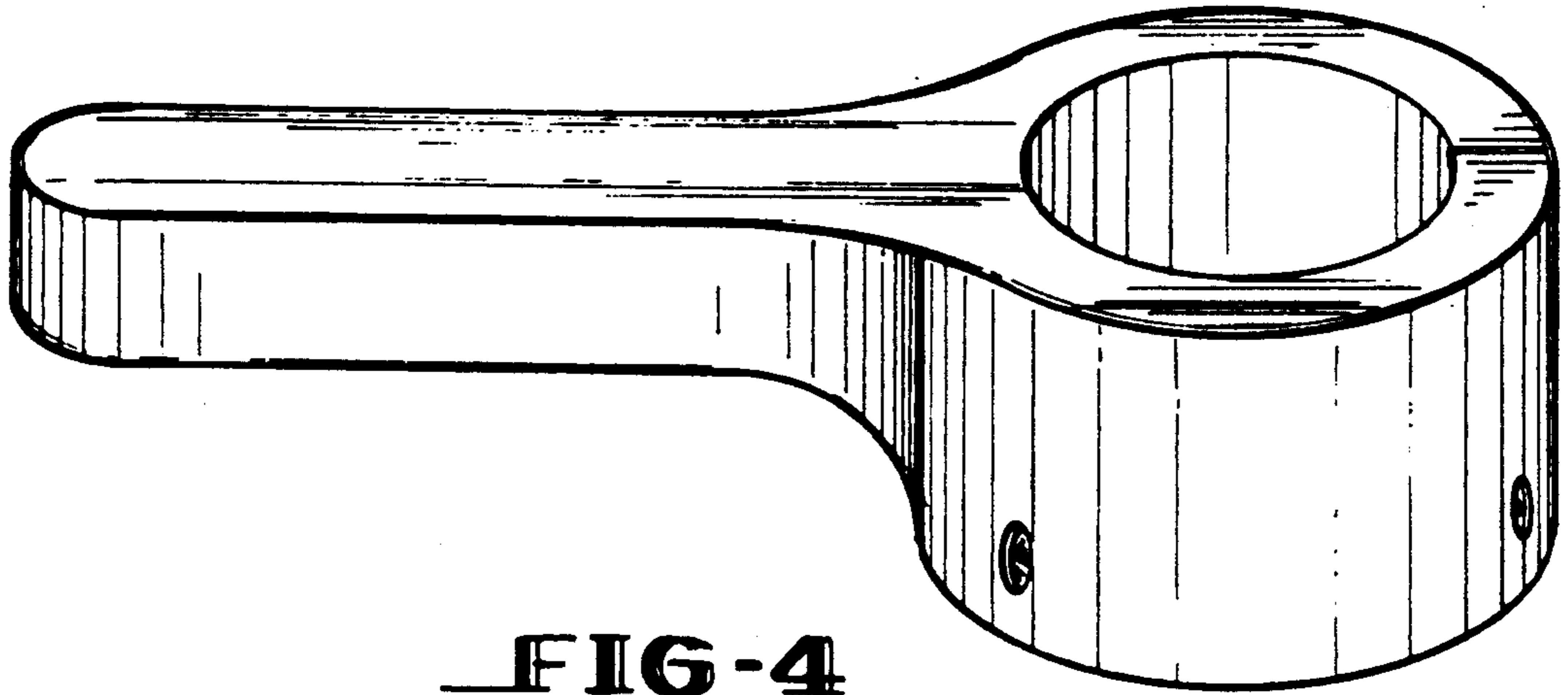
**FIG-1**



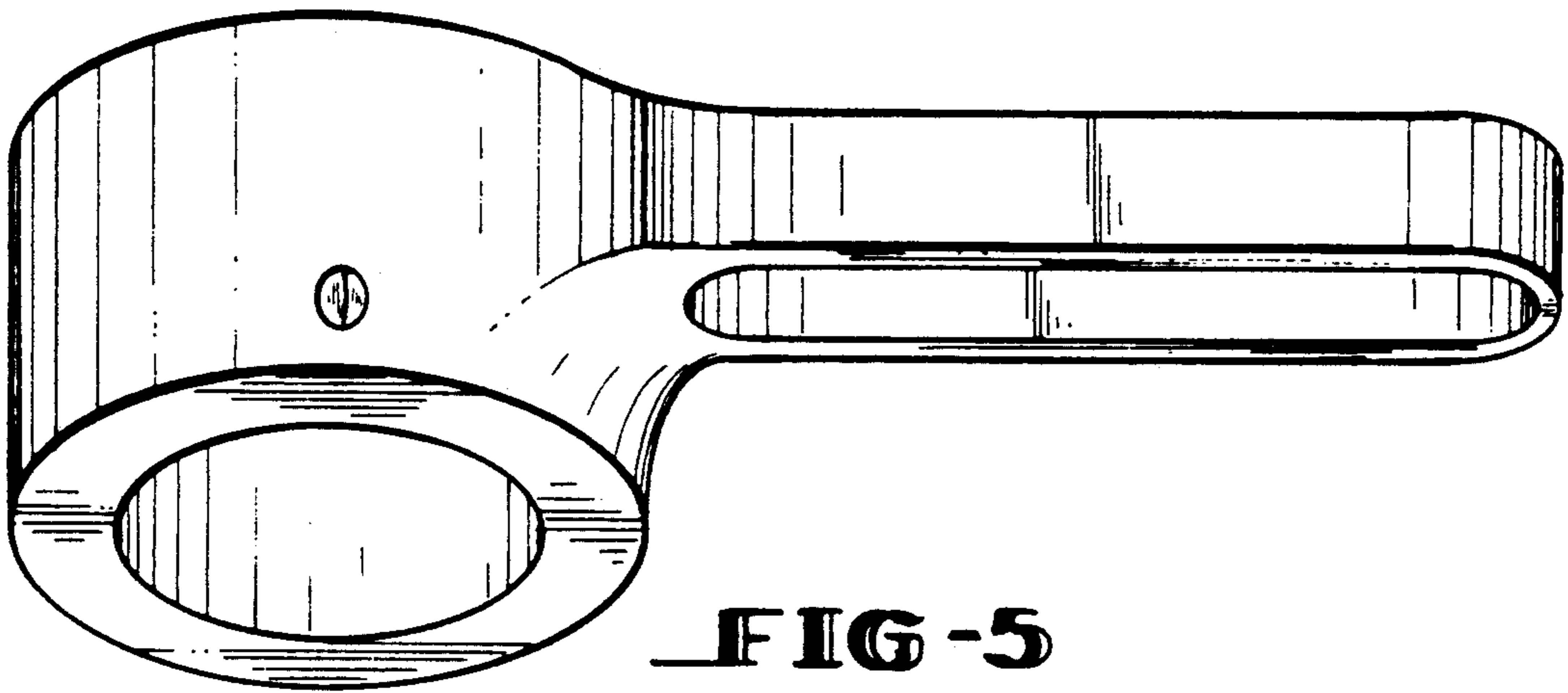
**FIG-2**



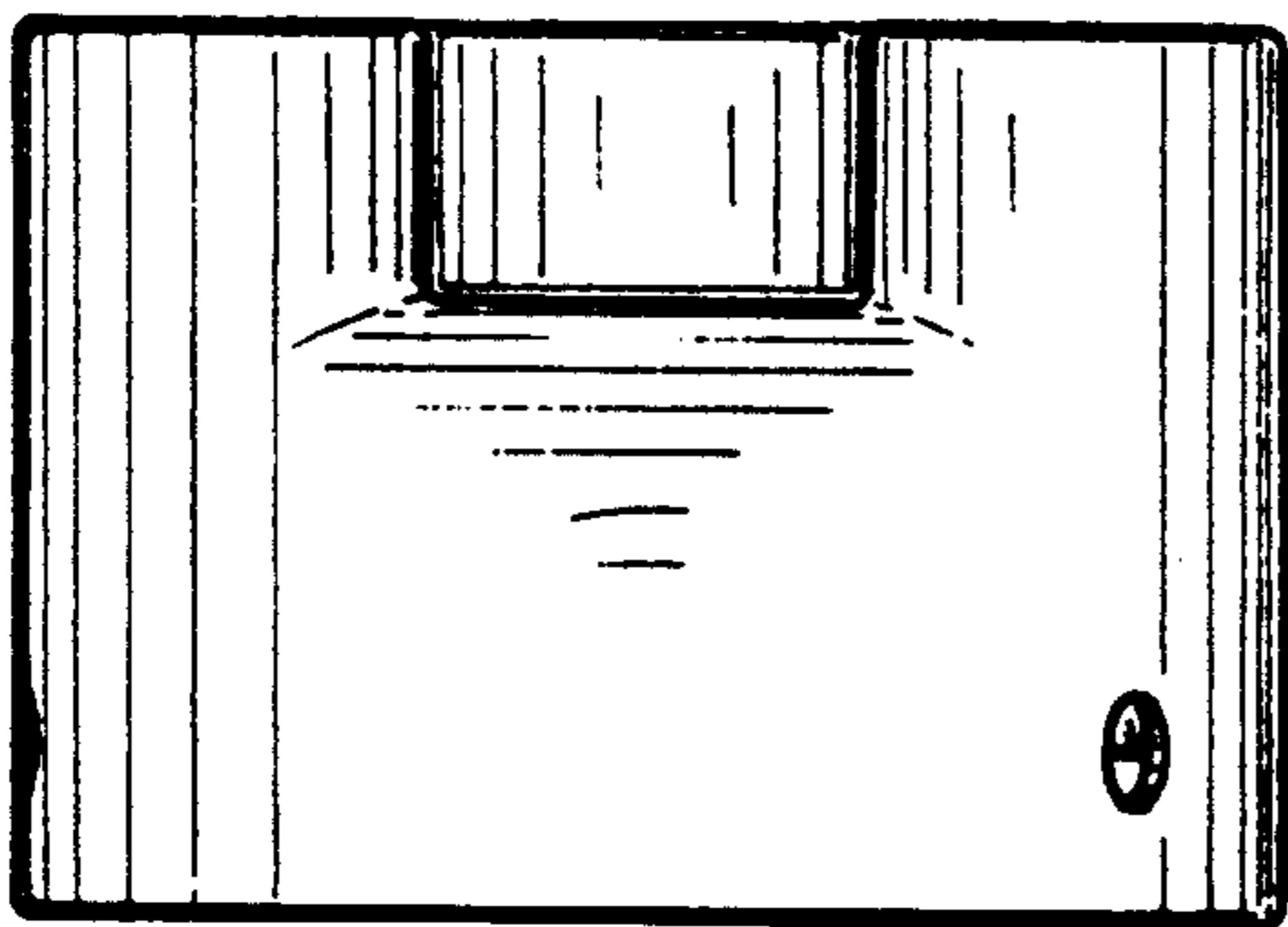
**FIG-3**



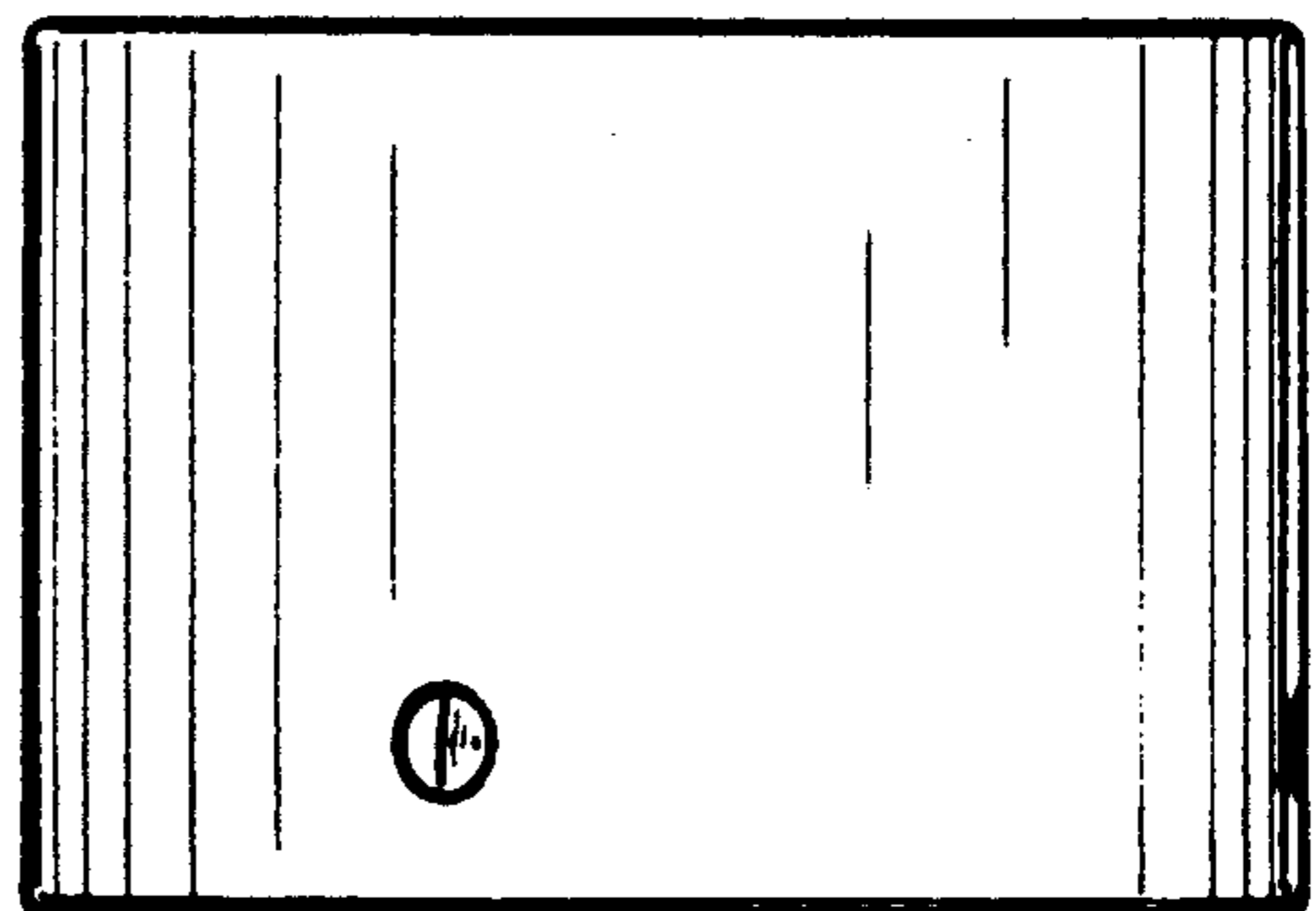
**FIG-4**



**FIG-5**



**FIG-6**



**FIG-7**