



US00D343562S

United States Patent [19]

[11] Patent Number: **Des. 343,562**

Wilson

[45] Date of Patent: **** Jan. 25, 1994**

[54] **FLEXIBLE SANDER**

D. 326,042 5/1992 Kriaski et al. D8/62

[76] Inventor: **Lawrence S. Wilson, Rte. 1 Box 1,
Richmond, Mo. 64085**

Primary Examiner—Alan P. Douglas
Assistant Examiner—J. H. Musgrove
Attorney, Agent, or Firm—S. Michael Bender

[**] Term: **14 Years**

[21] Appl. No.: **873,563**

[57] **CLAIM**

[22] Filed: **Apr. 27, 1992**

The ornamental design for a flexible sander, as shown and described.

[52] U.S. Cl. **D8/62**

[58] Field of Search **D8/61, 62, 63; 173/170;
51/170, 170 R, 170 MT, 170 T, 170 PT, 170 TL**

DESCRIPTION

[56] **References Cited**

U.S. PATENT DOCUMENTS

- D. 308,931 7/1990 Greenlee et al. D8/62
- D. 314,125 1/1991 Ogawa et al. D8/62
- D. 314,900 2/1991 Hoffman D8/62

FIG. 1 is a front elevational view of the flexible sander showing my new design;
 FIG. 2 is a rear elevational view thereof;
 FIG. 3 is a left side elevational view thereof;
 FIG. 4 is a right side elevational view thereof;
 FIG. 5 is a top plan view thereof; and,
 FIG. 6 is a bottom plan view thereof.

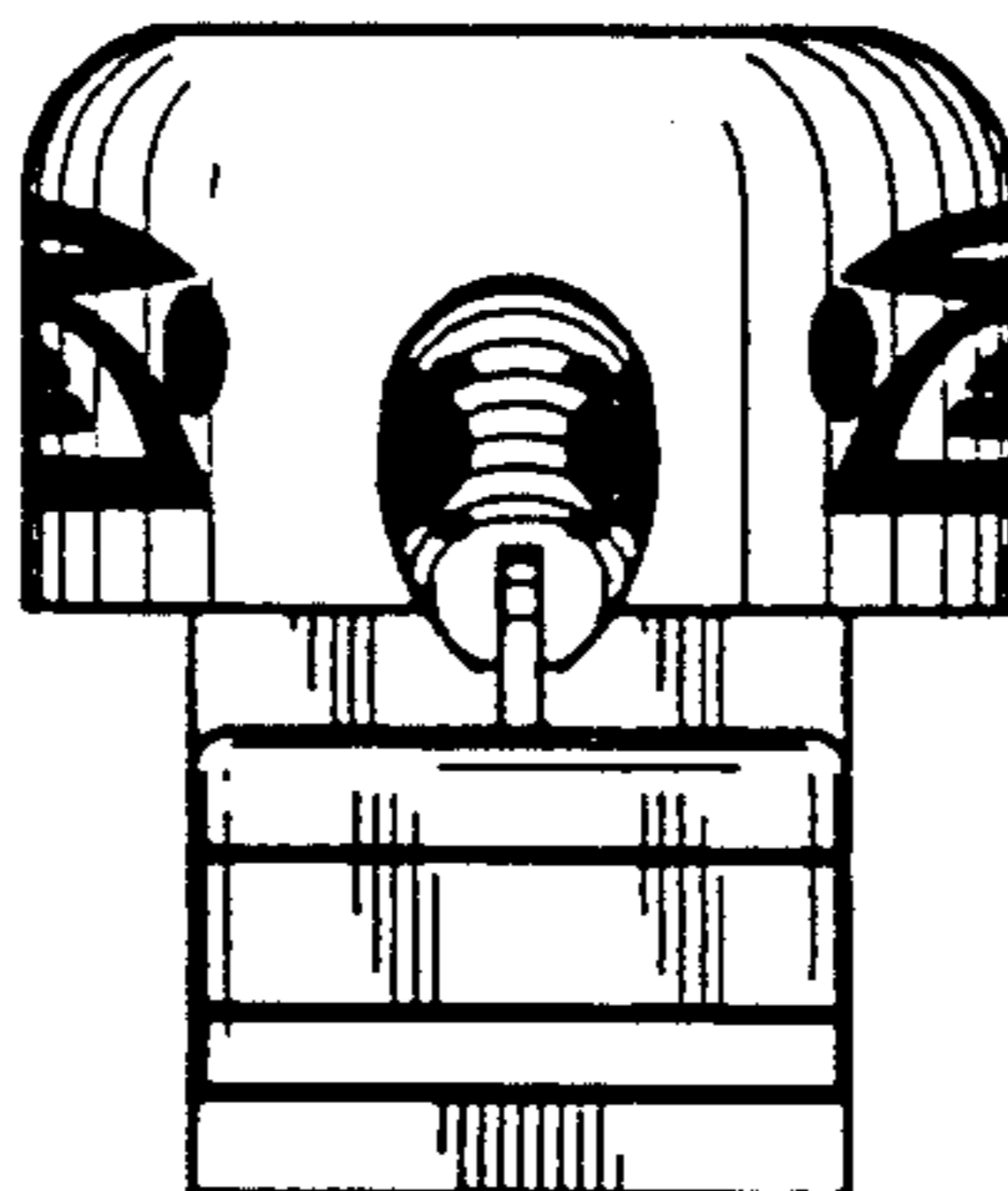
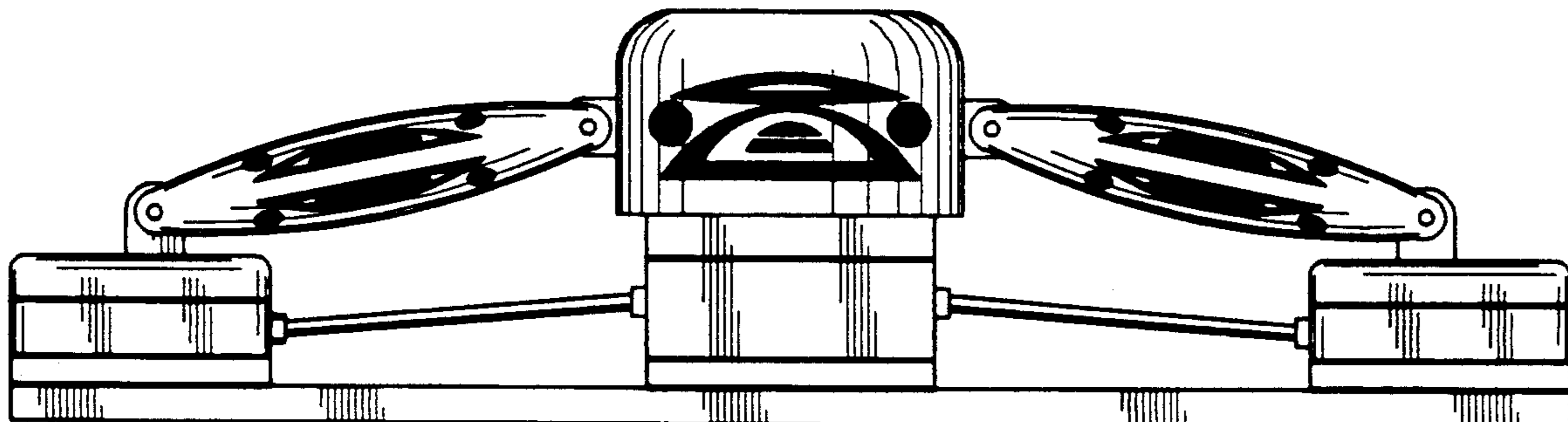


FIG. 1

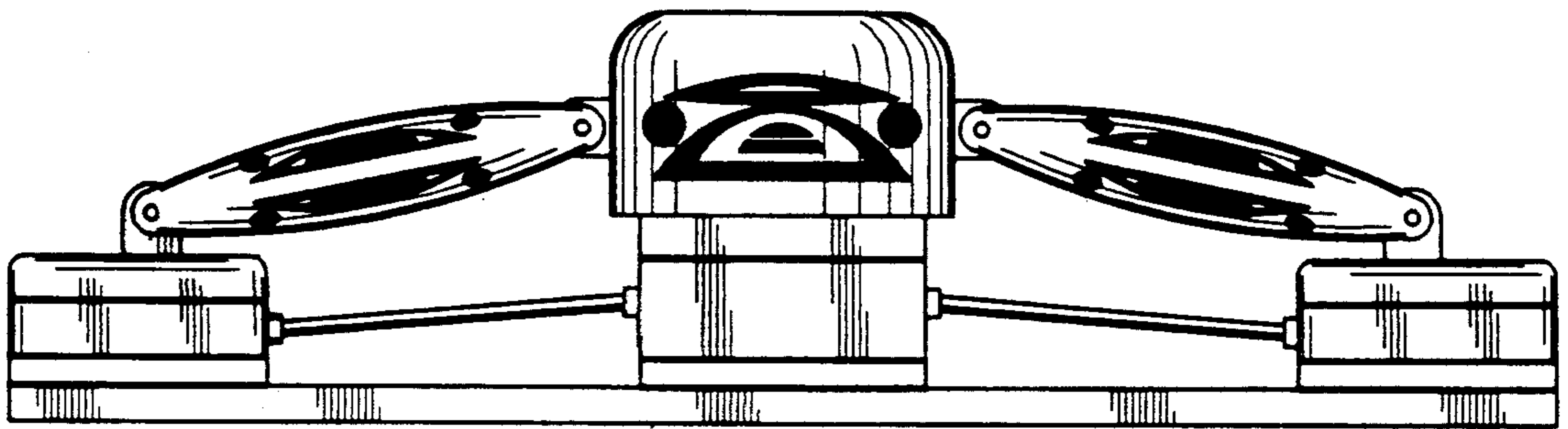


FIG. 2

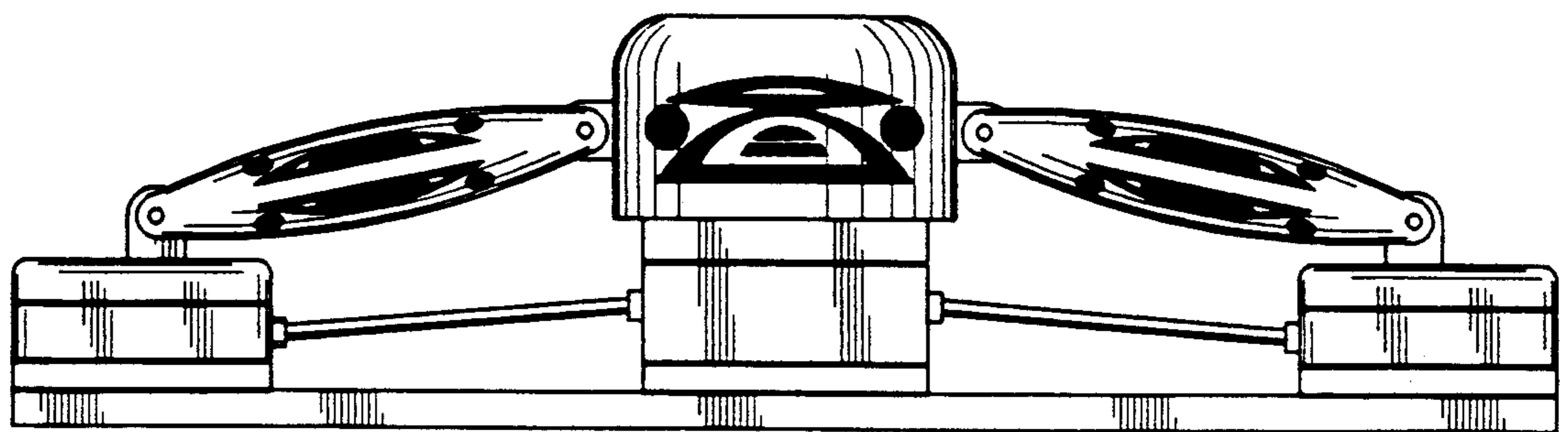


FIG. 3

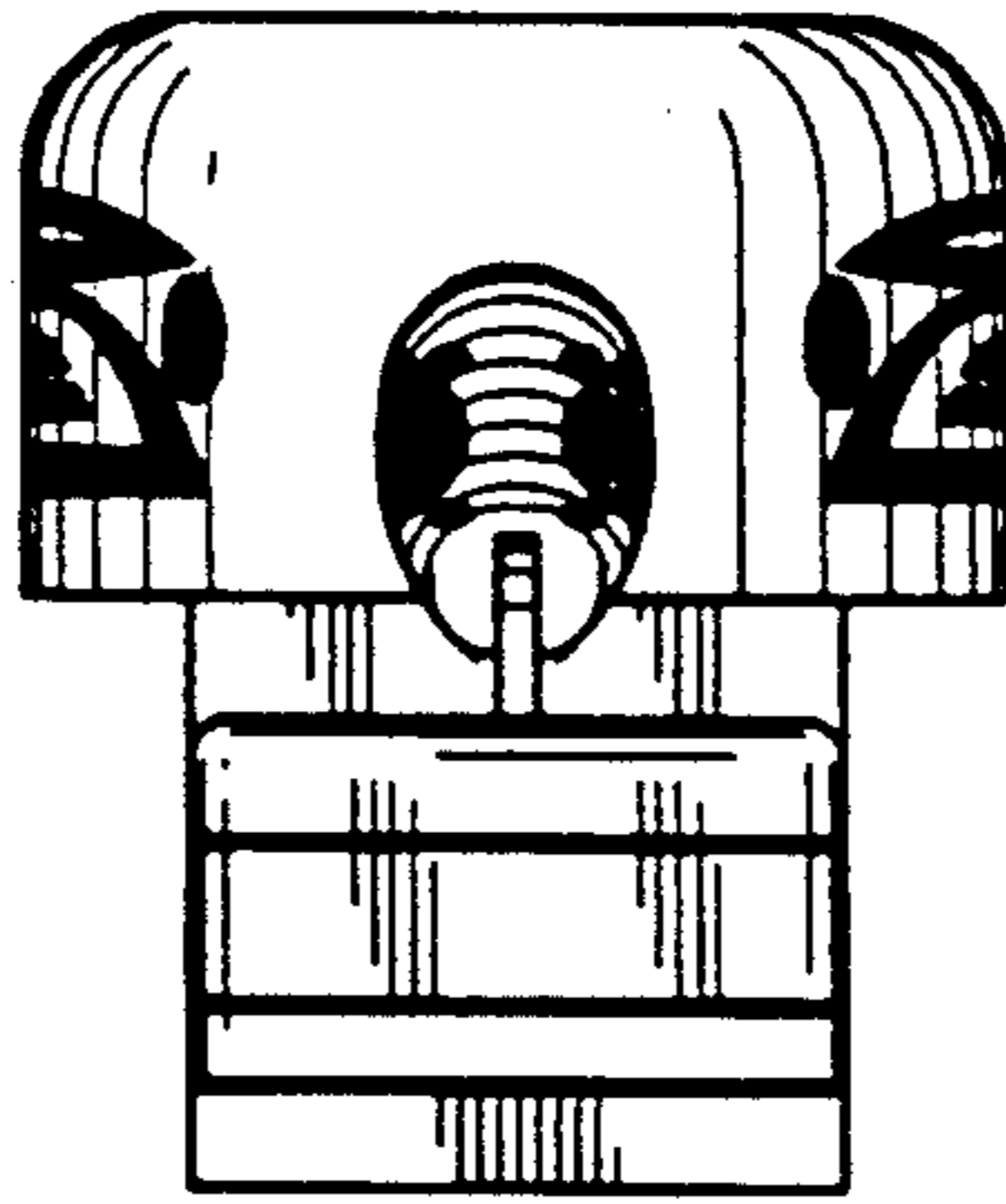


FIG. 4

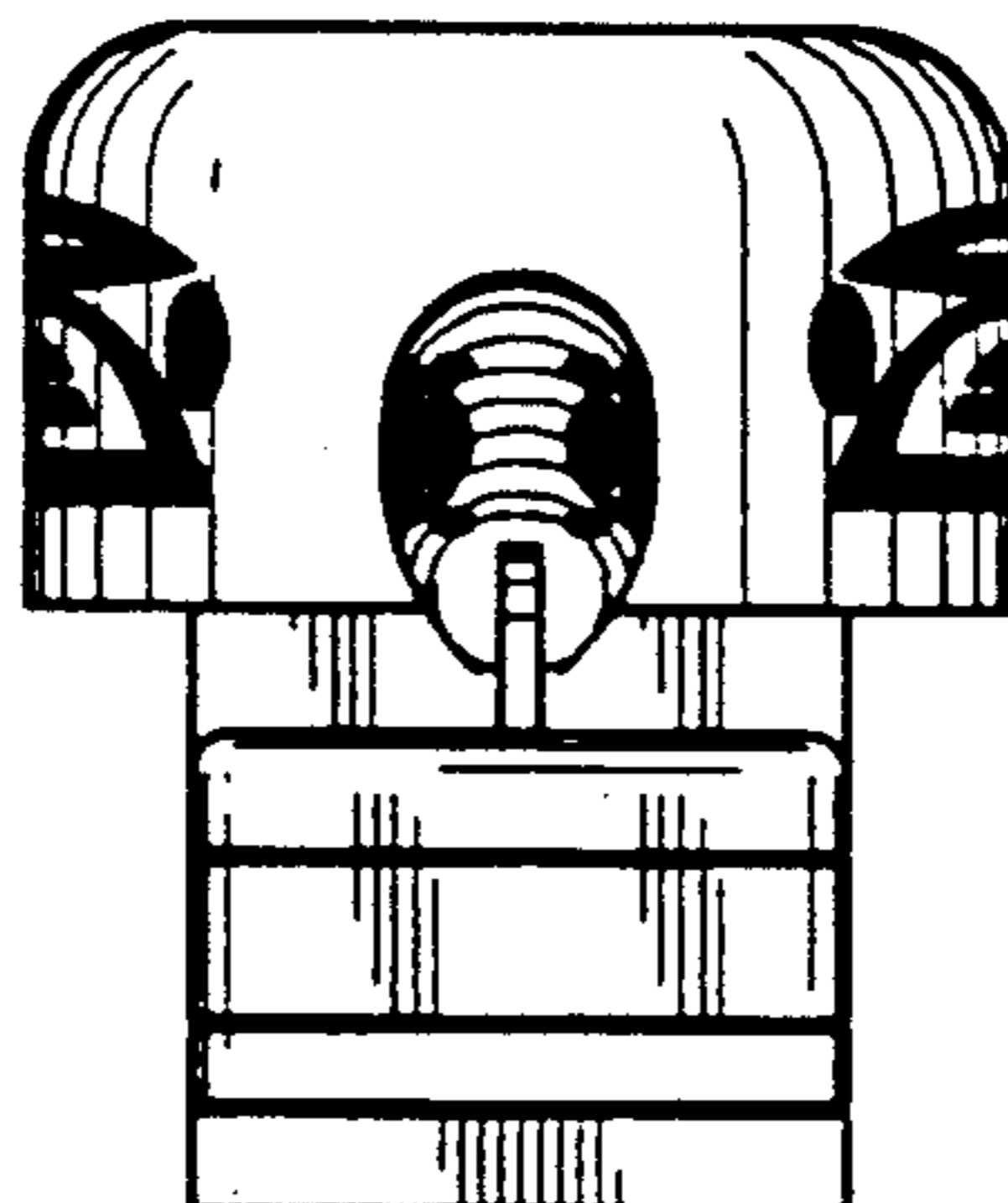


FIG. 5

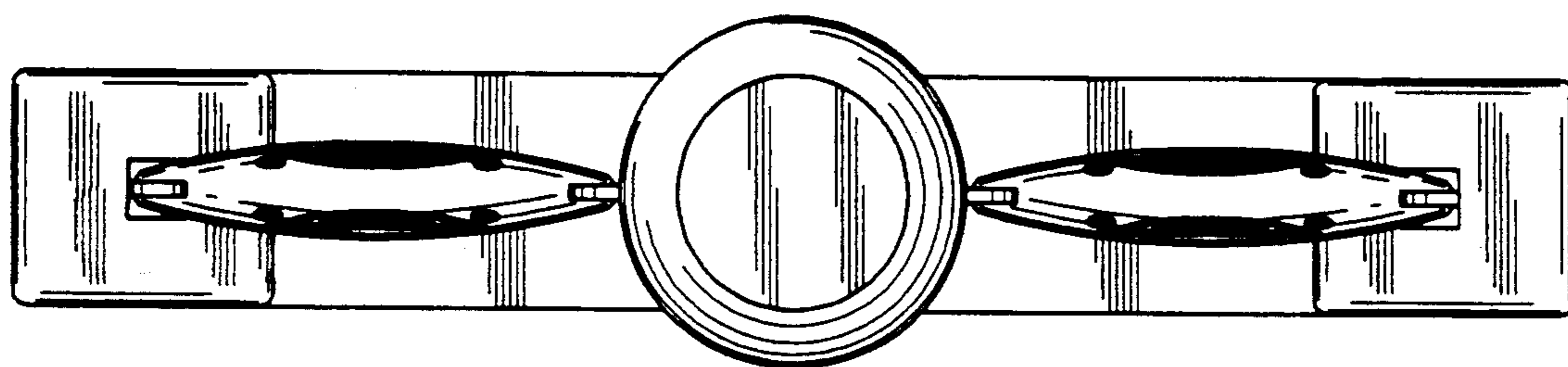


FIG. 6

