



US00D343561S

# United States Patent [19] McCambridge

[11] Patent Number: **Des. 343,561**  
[45] Date of Patent: **\*\* Jan. 25, 1994**

- [54] **CONSTANT SPEED DRILL**
- [75] Inventor: **James E. McCambridge, Polo, Ill.**
- [73] Assignee: **Wahl Clipper Corporation, Sterling, Ill.**
- [\*\*] Term: **14 Years**
- [21] Appl. No.: **936,233**
- [22] Filed: **Aug. 26, 1992**
- [52] U.S. Cl. .... **D8/61**
- [58] Field of Search ..... **D8/61, 68; D4/100-102; 81/54, 57, 57.11, 57.13; 173/170; D19/53**

- [56] **References Cited**
- U.S. PATENT DOCUMENTS**
- D. 267,974 2/1983 Nilles et al. .... D8/61
- D. 297,104 8/1988 Svetlik ..... D8/61
- D. 303,205 9/1989 Gierke et al. .... D8/61
- D. 305,093 12/1989 Hoshino et al. .... D8/61
- D. 308,622 6/1990 Fushiya et al. .... D8/61

**OTHER PUBLICATIONS**

Color photographs of Mini-Drill, Model No. AD1-2—Unidentified Manufacturer.

Color photographs of Dremel ® Motor Tool ®, Model 270-5.  
Color photographs of Rechargeable Mini Drill AD-88, Unidentified Manufacturer.  
Applicraft Mini-Perceuse P5, Ref. No. 50100.

*Primary Examiner*—Alan P. Douglas  
*Assistant Examiner*—Jeffry Musgrove  
*Attorney, Agent, or Firm*—Welsh & Katz, Ltd.

[57] **CLAIM**  
The ornamental design for a constant speed drill, as shown and described.

**DESCRIPTION**

FIG. 1 is a front perspective view of a constant speed drill showing my new design;  
FIG. 2 is a front view thereof;  
FIG. 3 is a rear view thereof;  
FIG. 4 is a bottom view thereof;  
FIG. 5 is a top view thereof;  
FIG. 6 is a right side view thereof; and,  
FIG. 7 is a left side view of the new design in its intended environment.  
The broken lines showing the electrical cord and hook are for illustrative purposes only and form no part of the claimed design.

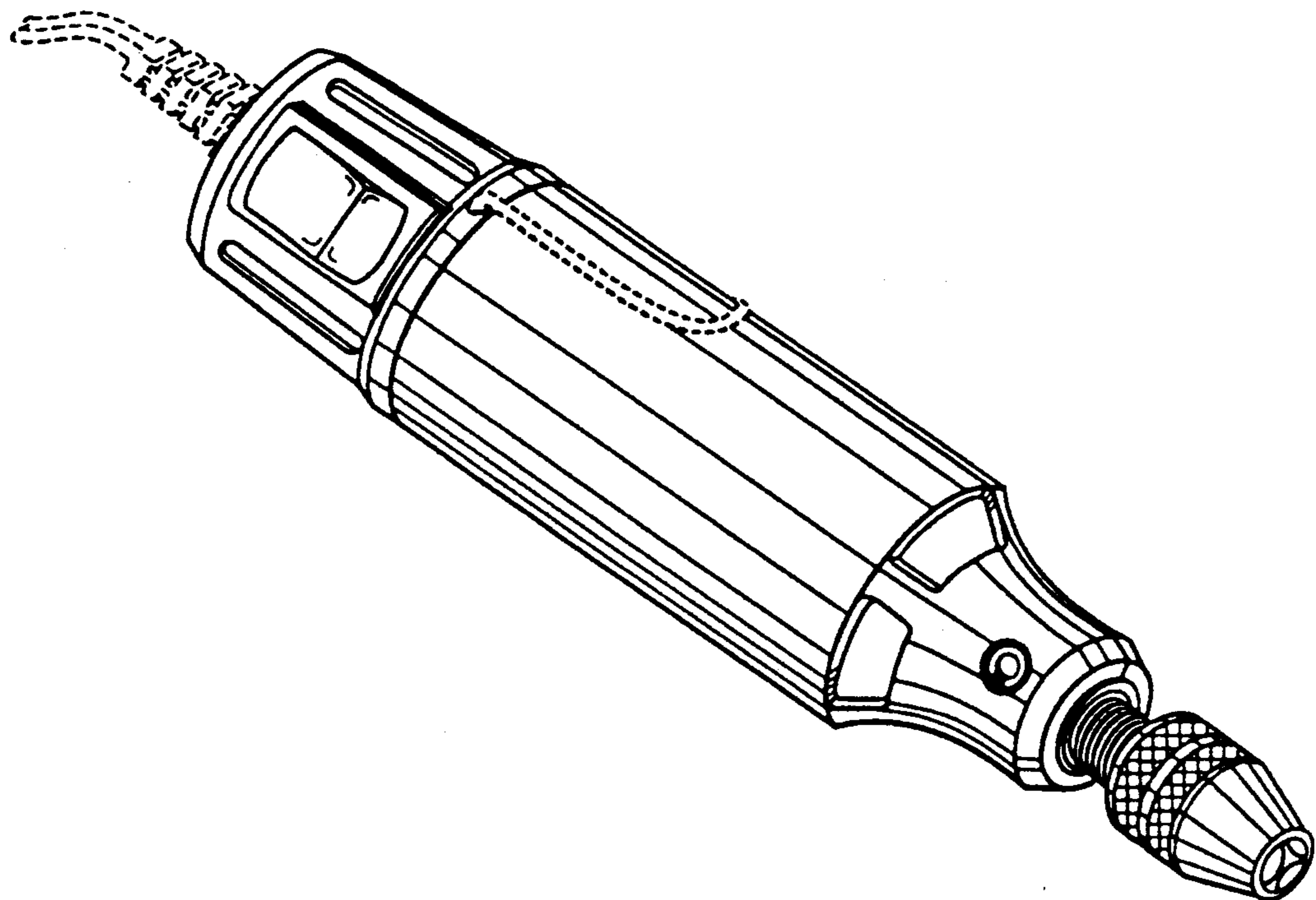


FIG 1

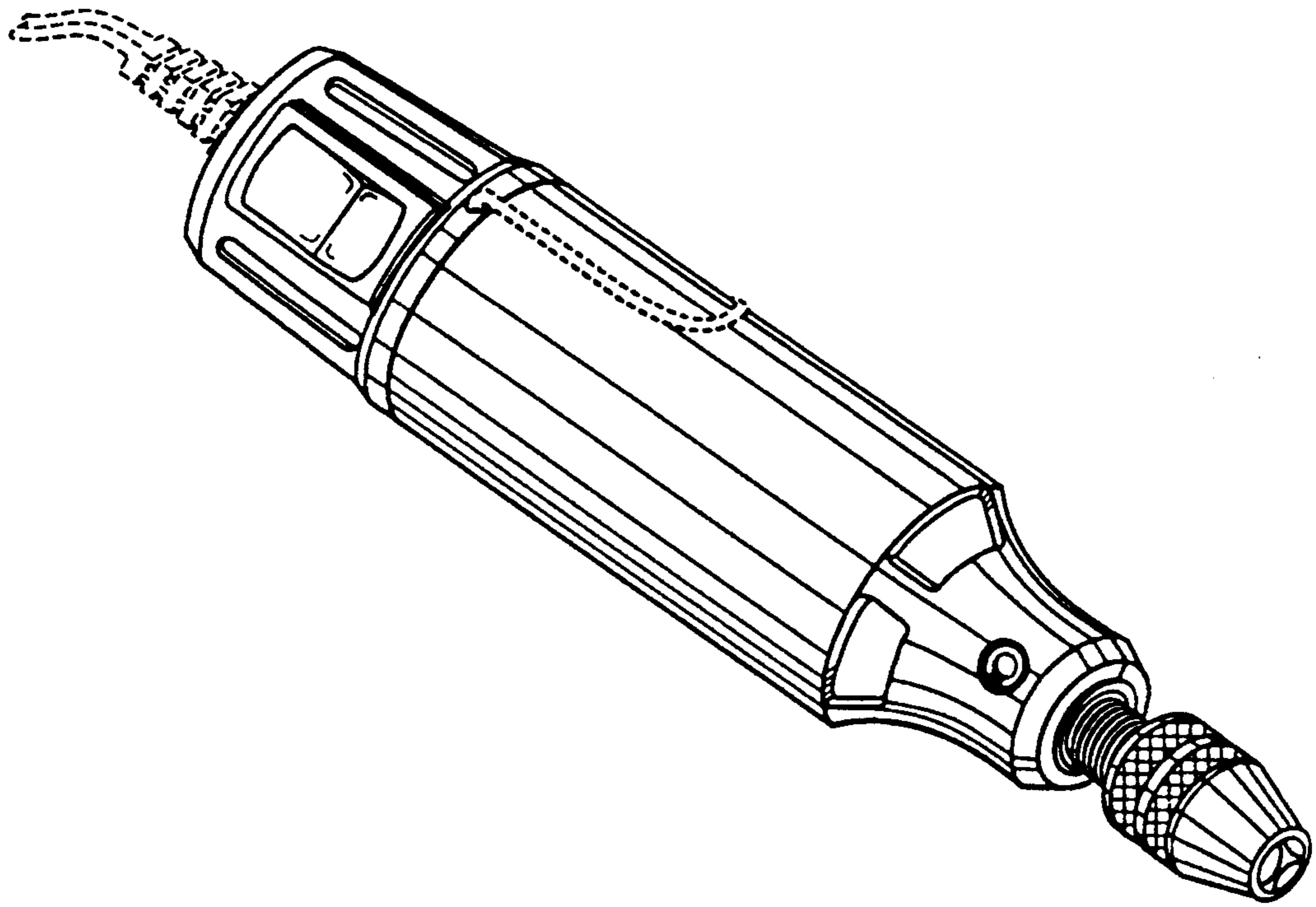


FIG 2

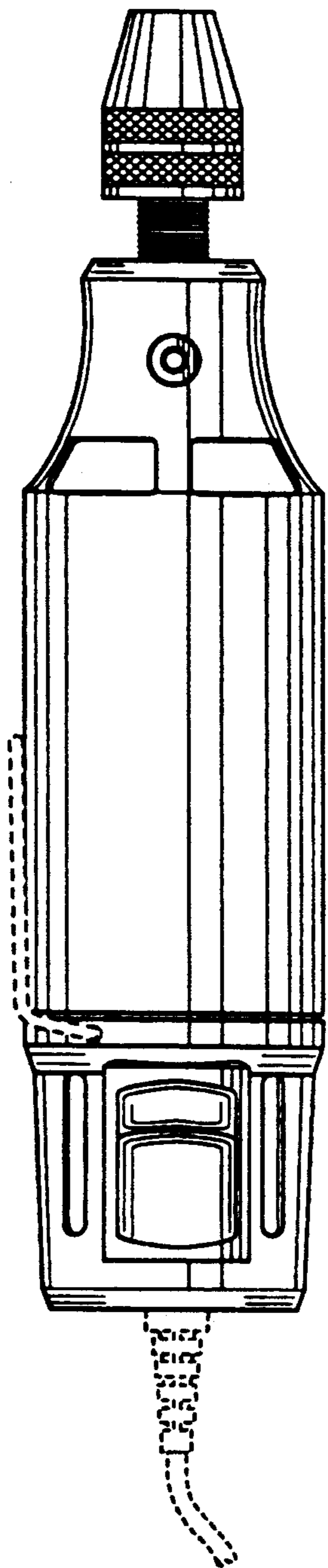


FIG 3

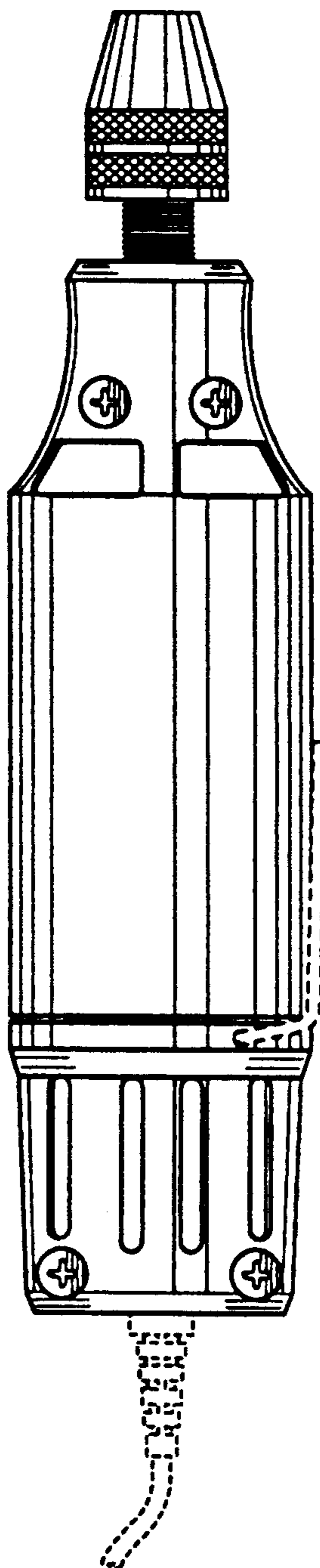


FIG 4

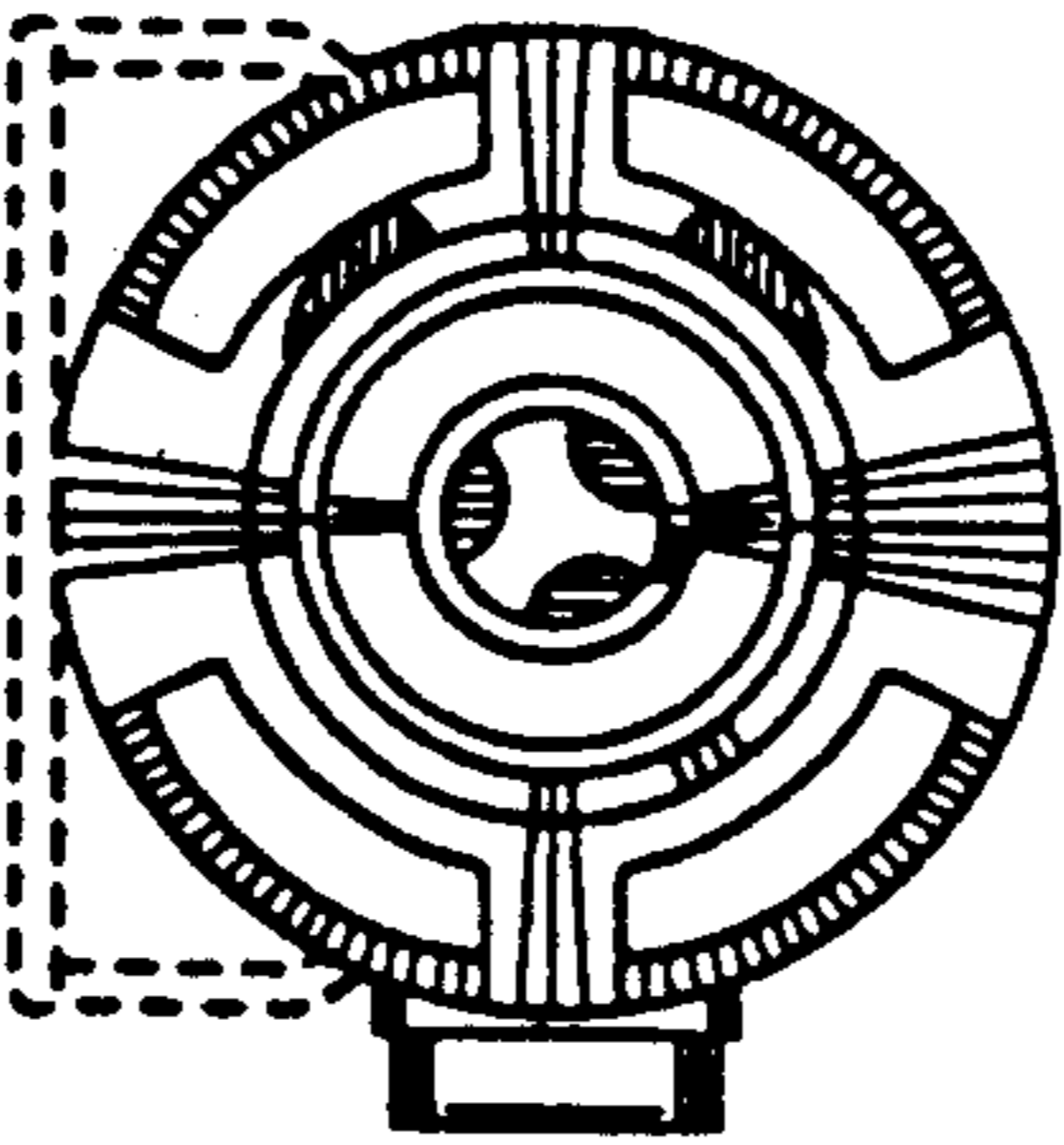


FIG 5

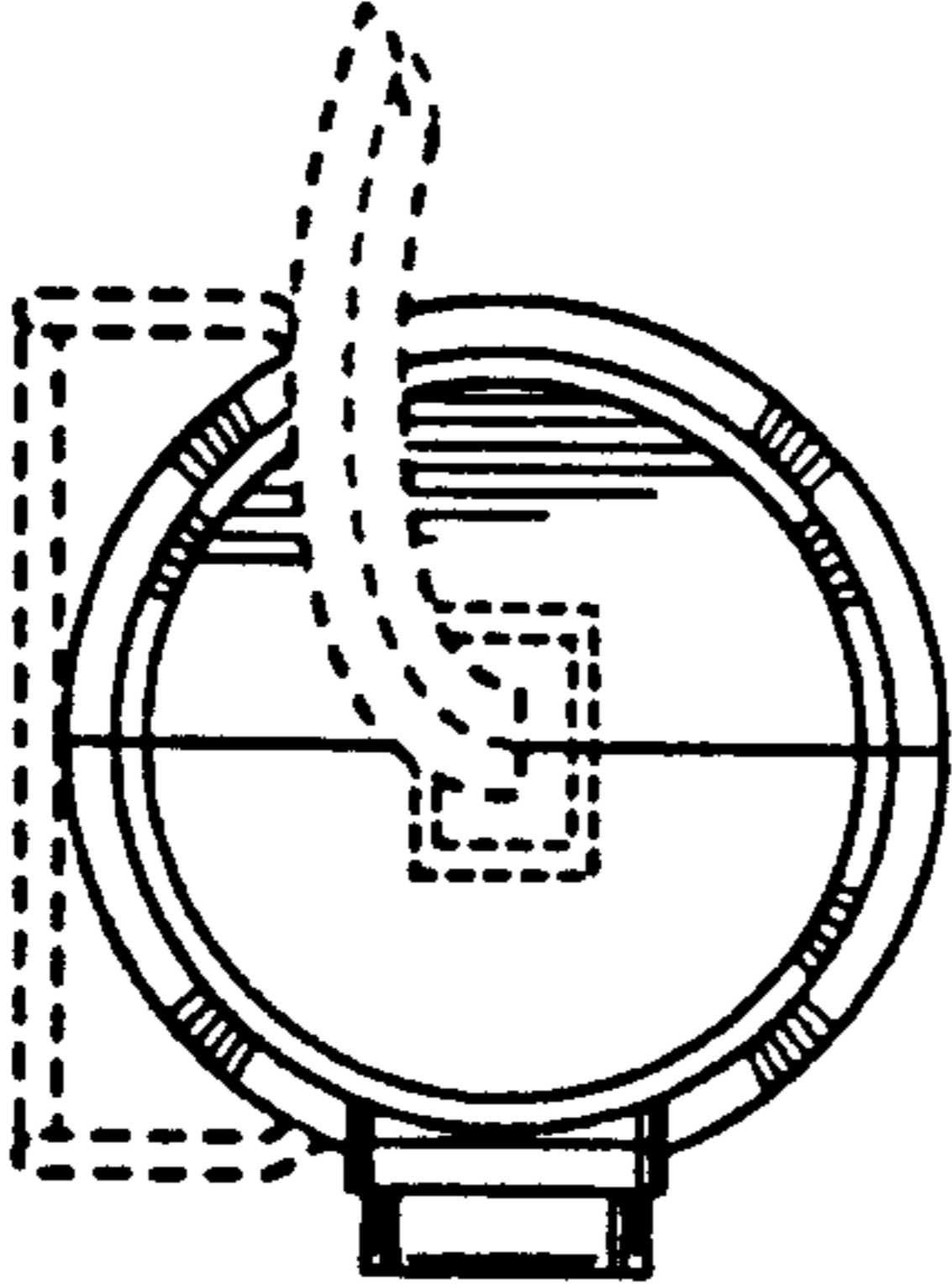


FIG 6

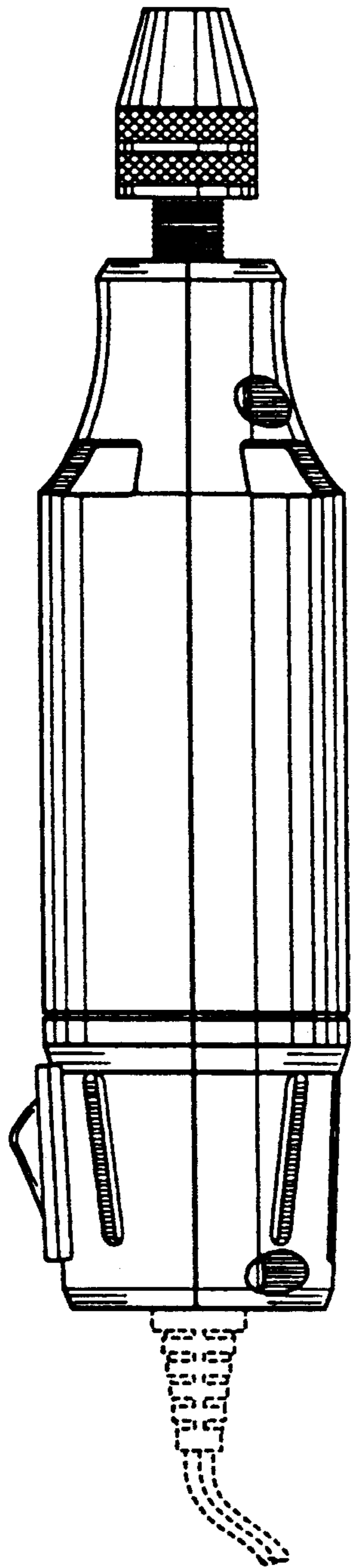


FIG 7

