



US00D343558S

United States Patent [19]

[11] Patent Number: Des. 343,558

Latraverse et al.

[45] Date of Patent: ** Jan. 25, 1994

[54] BIT FOR A CLEAT WRENCH

[75] Inventors: **Paul A. Latraverse; Harris L. MacNeill**, both of Northborough, Mass.

[73] Assignee: **MacNeill Engineering Company, Inc.**, Marlborough, Mass.

[**] Term: **14 Years**

[21] Appl. No.: **544,279**

[22] Filed: **Jun. 26, 1990**
(Under 37 CFR 1.47)

[52] U.S. Cl. **D8/21; D21/234; D8/27**

[58] Field of Search **D8/14, 21, 27, 29; 81/177.85, 176.15, 119, 120, 176.1; D21/234**

[56] References Cited

U.S. PATENT DOCUMENTS

D. 209,973	1/1968	Klitzner	D21/234
D. 305,056	12/1989	Ricks	D21/234
D. 306,471	3/1990	Gabbert, Jr.	D21/234
2,539,532	1/1951	Daniels	81/176.15
2,733,456	2/1956	Howell	81/437
3,412,635	11/1968	Chmielewski	81/176.15
3,903,762	9/1975	Acrea	81/176.15
4,227,429	10/1980	Bowers, Jr. et al.	81/176.15
4,262,562	4/1981	MacNeill	81/176.15
4,679,468	7/1987	Gray	81/176.15

OTHER PUBLICATIONS

"Golf Day Incredible Savings Catalog," pp. 23 and 35 CA. 1990.

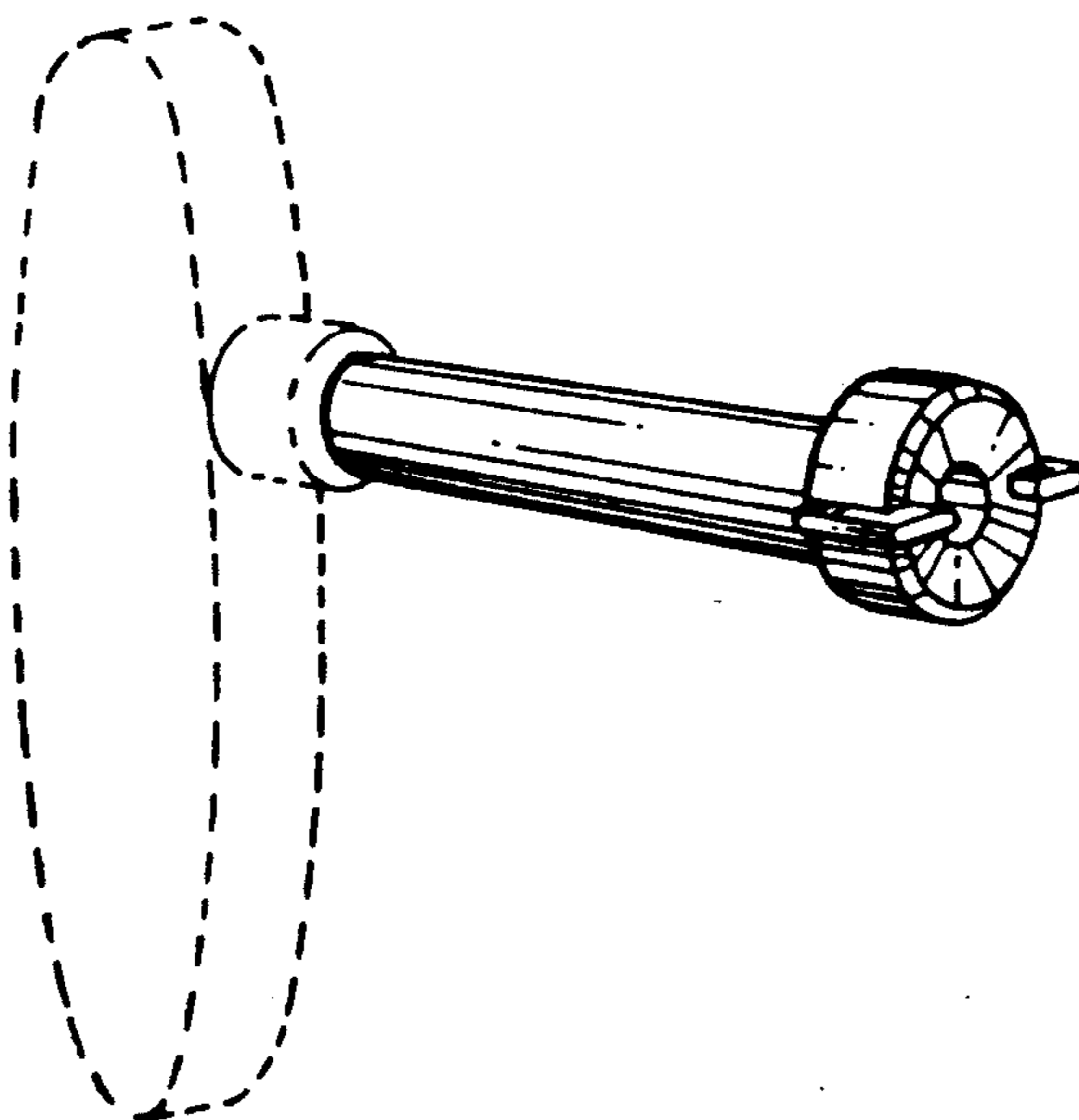
Primary Examiner—Bernard Ansher
Assistant Examiner—P. Hyder
Attorney, Agent, or Firm—Bromberg & Sunstein

[57] CLAIM

The ornamental design for a bit for a cleat wrench, as shown.

DESCRIPTION

FIG. 1 is a top plan view of a bit for a cleat wrench showing our new design;
 FIG. 2 is a right side elevational view thereof;
 FIG. 3 is a left side elevational view thereof;
 FIG. 4 is a front and left side perspective view thereof;
 FIG. 5 is a rear and left side perspective thereof;
 FIG. 6 is a front elevational view thereof;
 FIG. 7 is a top plan view of a second modified embodiment thereof;
 FIG. 8 is a right side elevational view of FIG. 7;
 FIG. 9 is a left side elevational view of FIG. 7;
 FIG. 10 is a front and left side perspective view of FIG. 7;
 FIG. 11 is a rear and left side perspective of FIG. 7;
 FIG. 12 is a front elevational view of FIG. 7;
 FIG. 13 is a rear elevational view of FIG. 1; and,
 FIG. 14 is a rear elevational view of FIG. 7.
 The broken lines illustrating a handle are for illustrative purposes only and form no part of the claimed design.



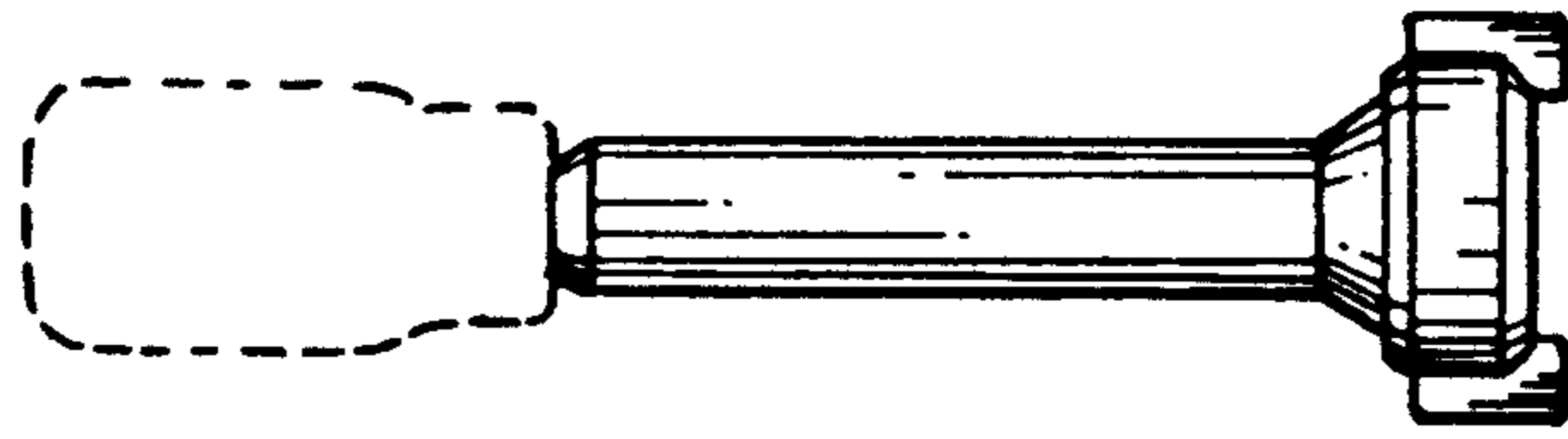


FIG. 1

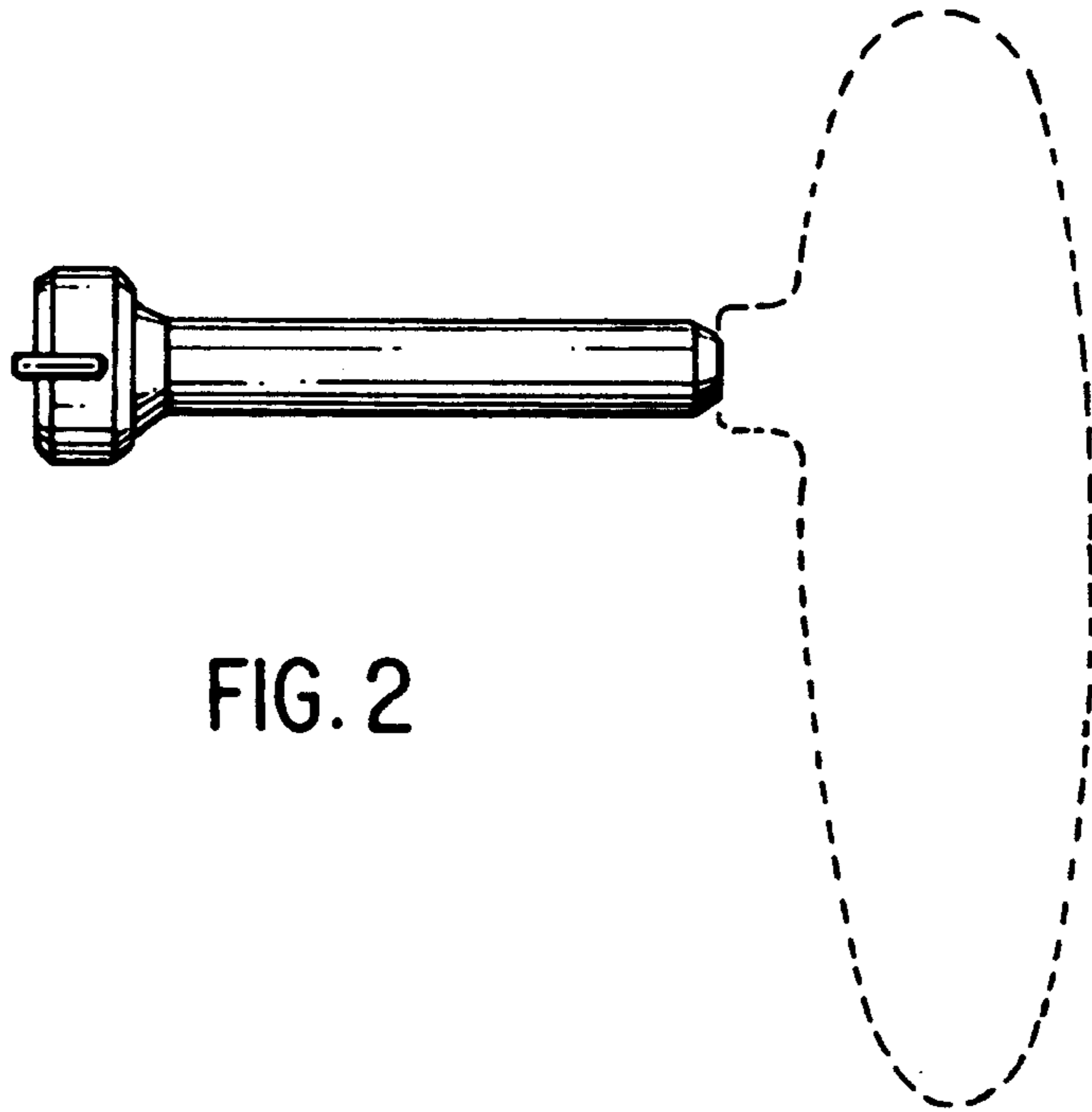


FIG. 2

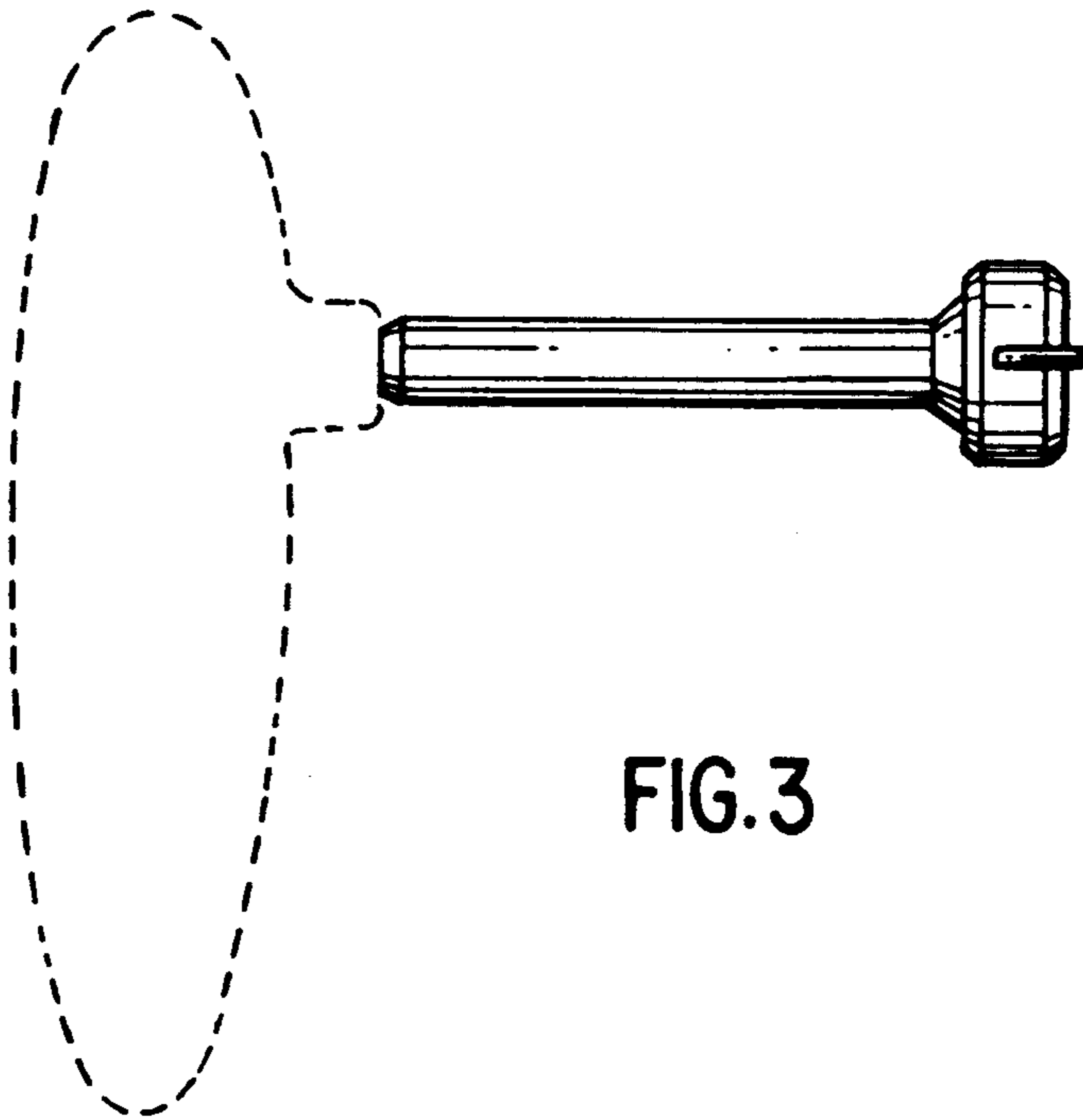


FIG. 3

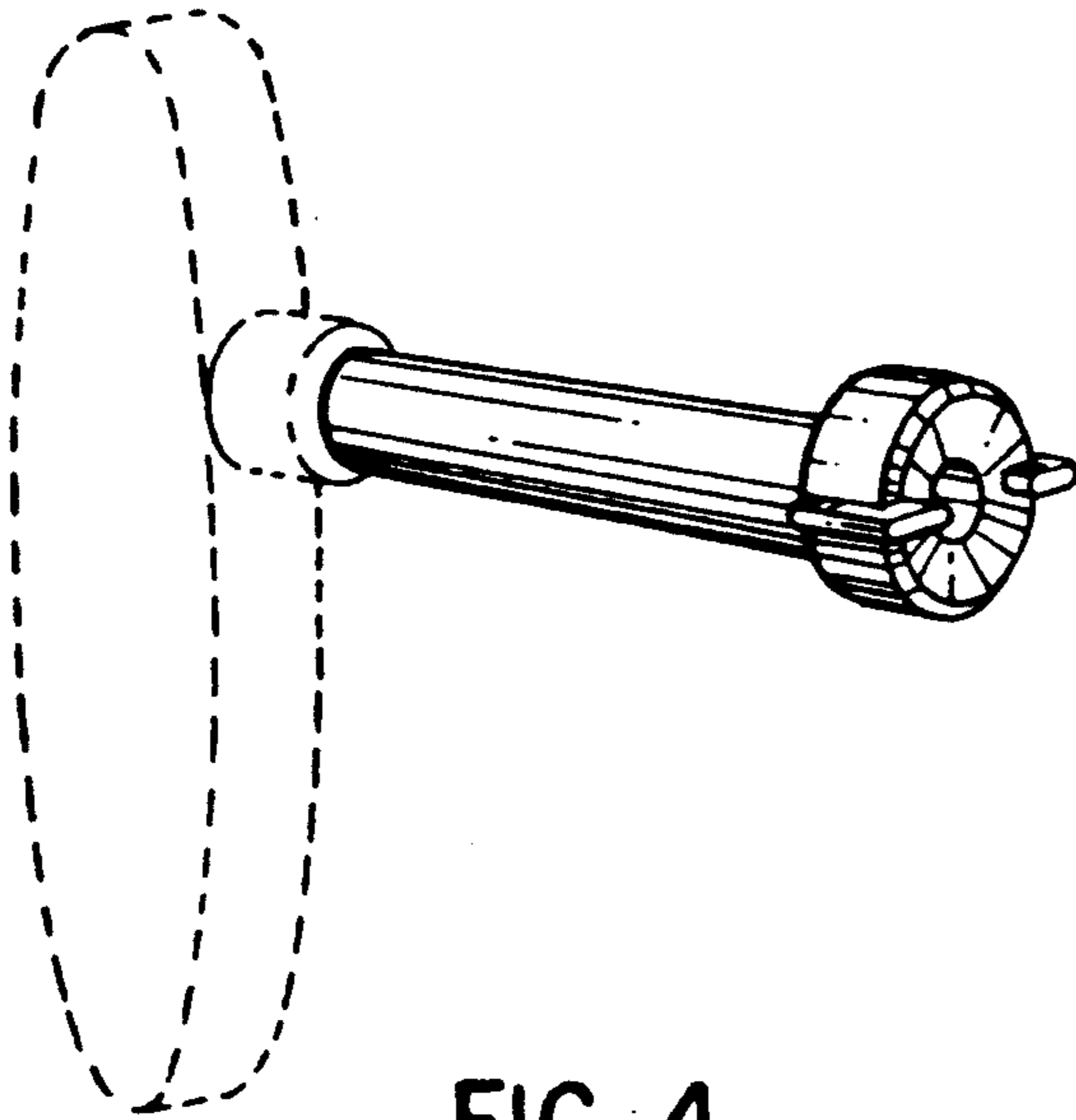


FIG. 4

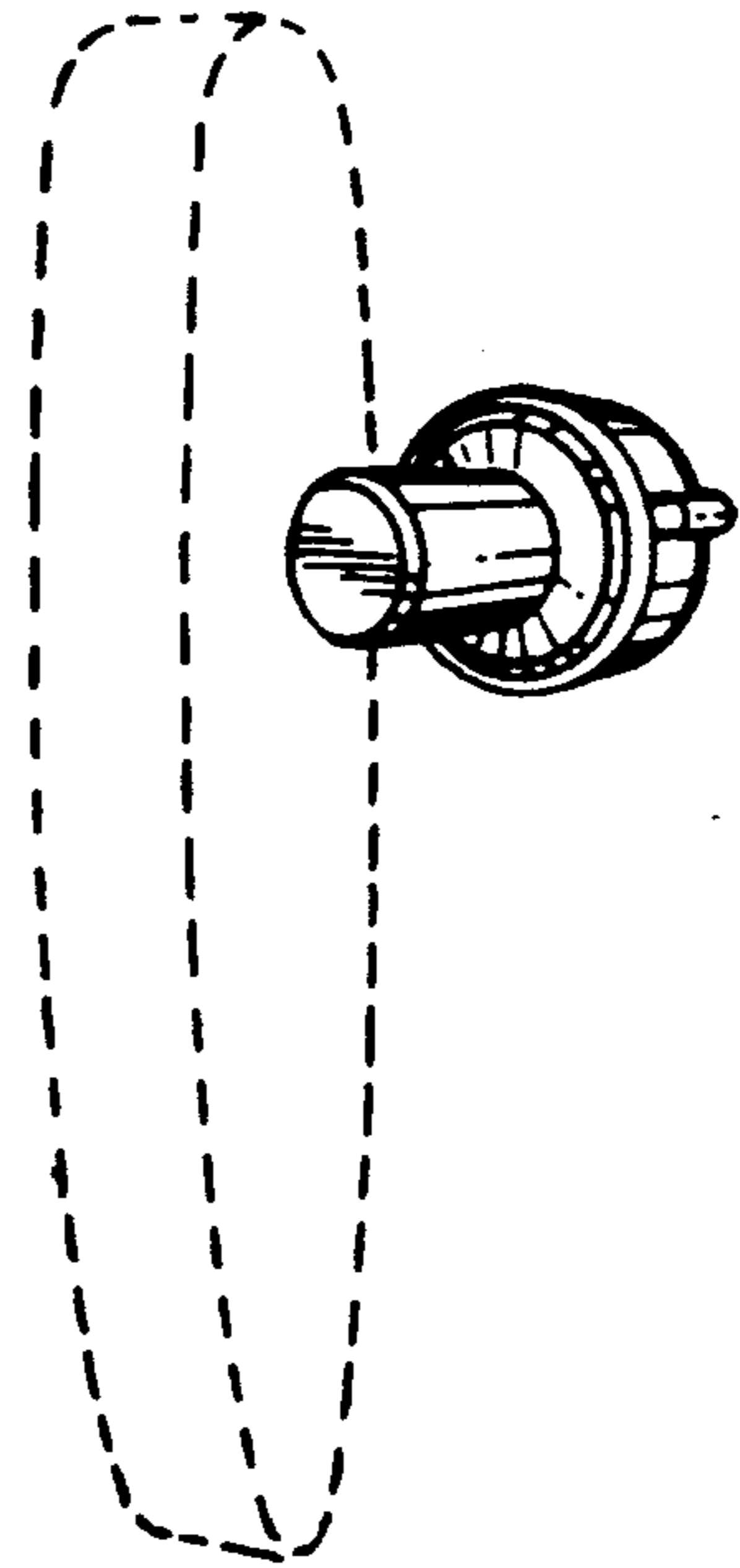


FIG. 5

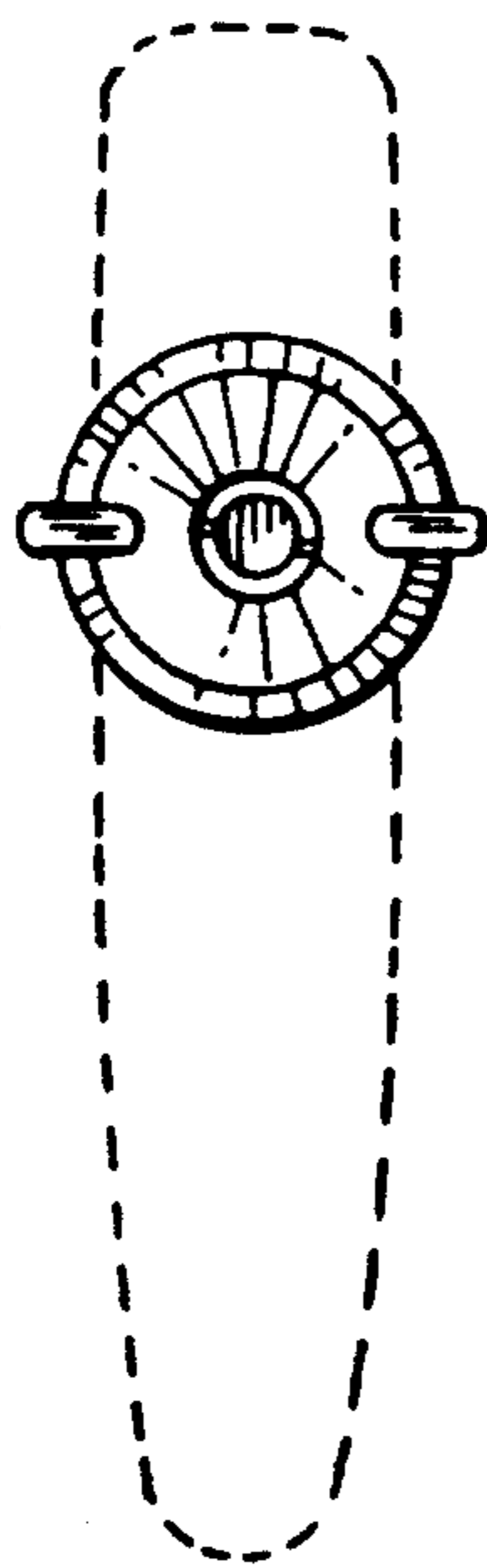


FIG. 6

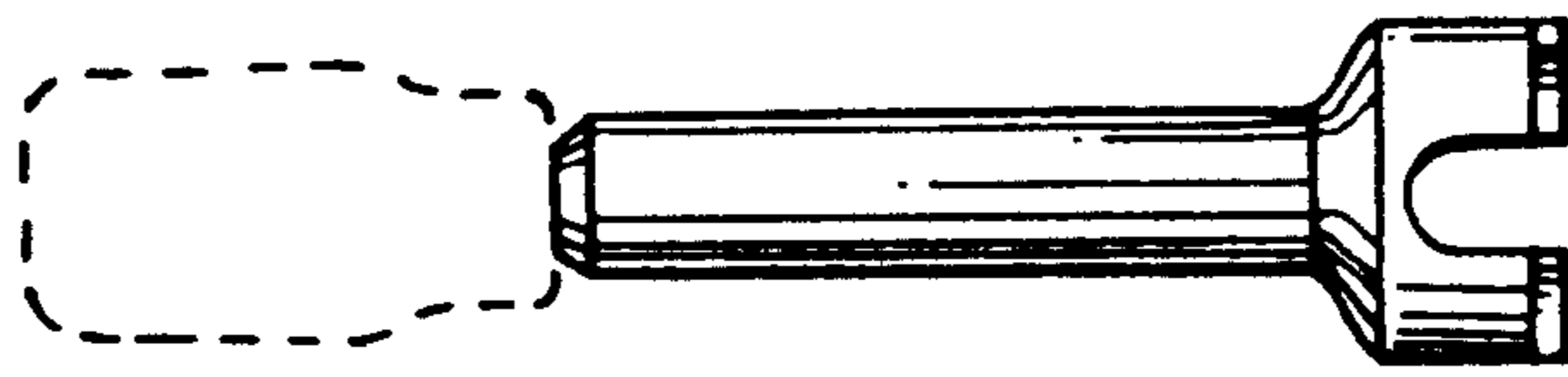


FIG. 7

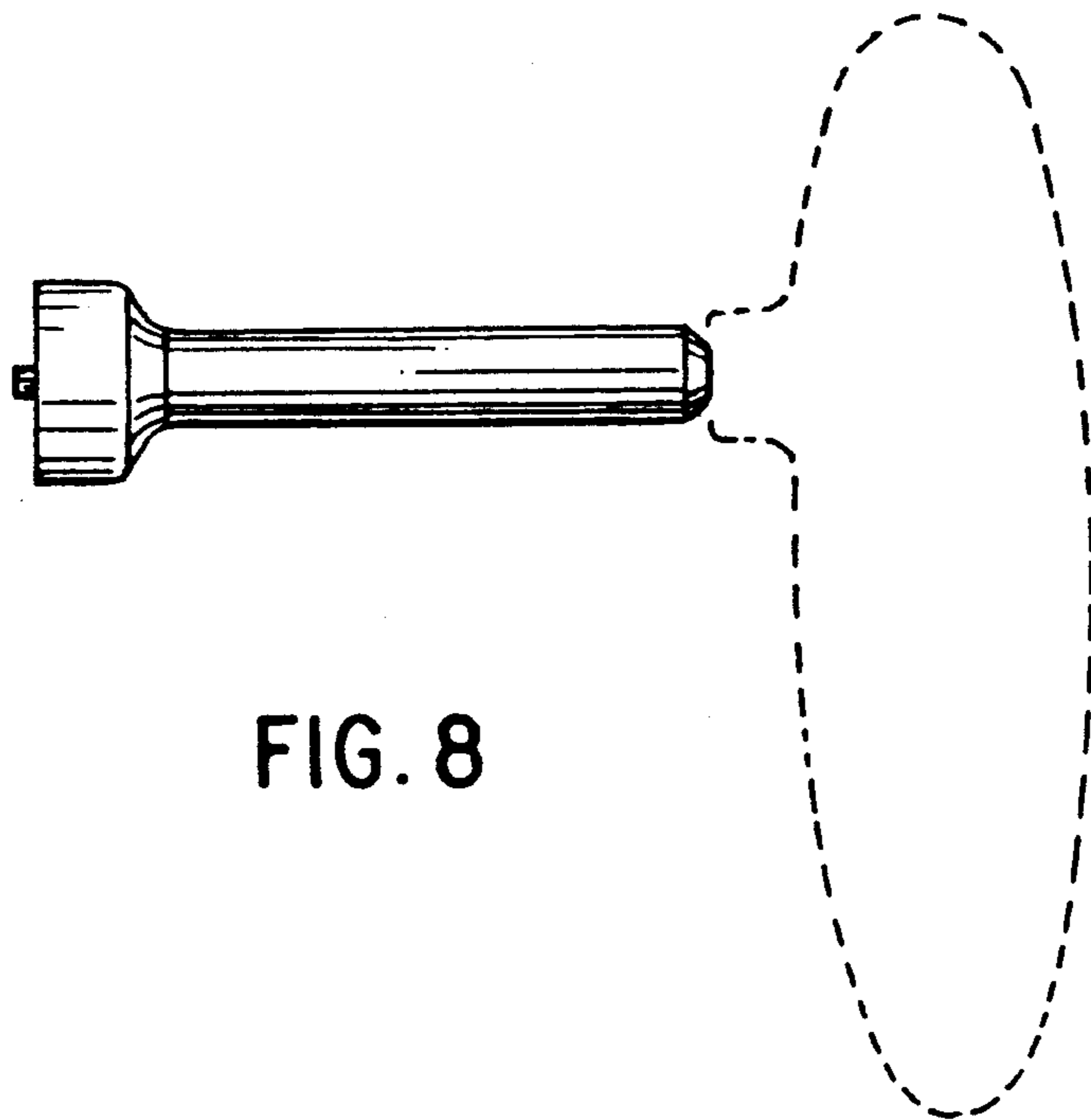


FIG. 8

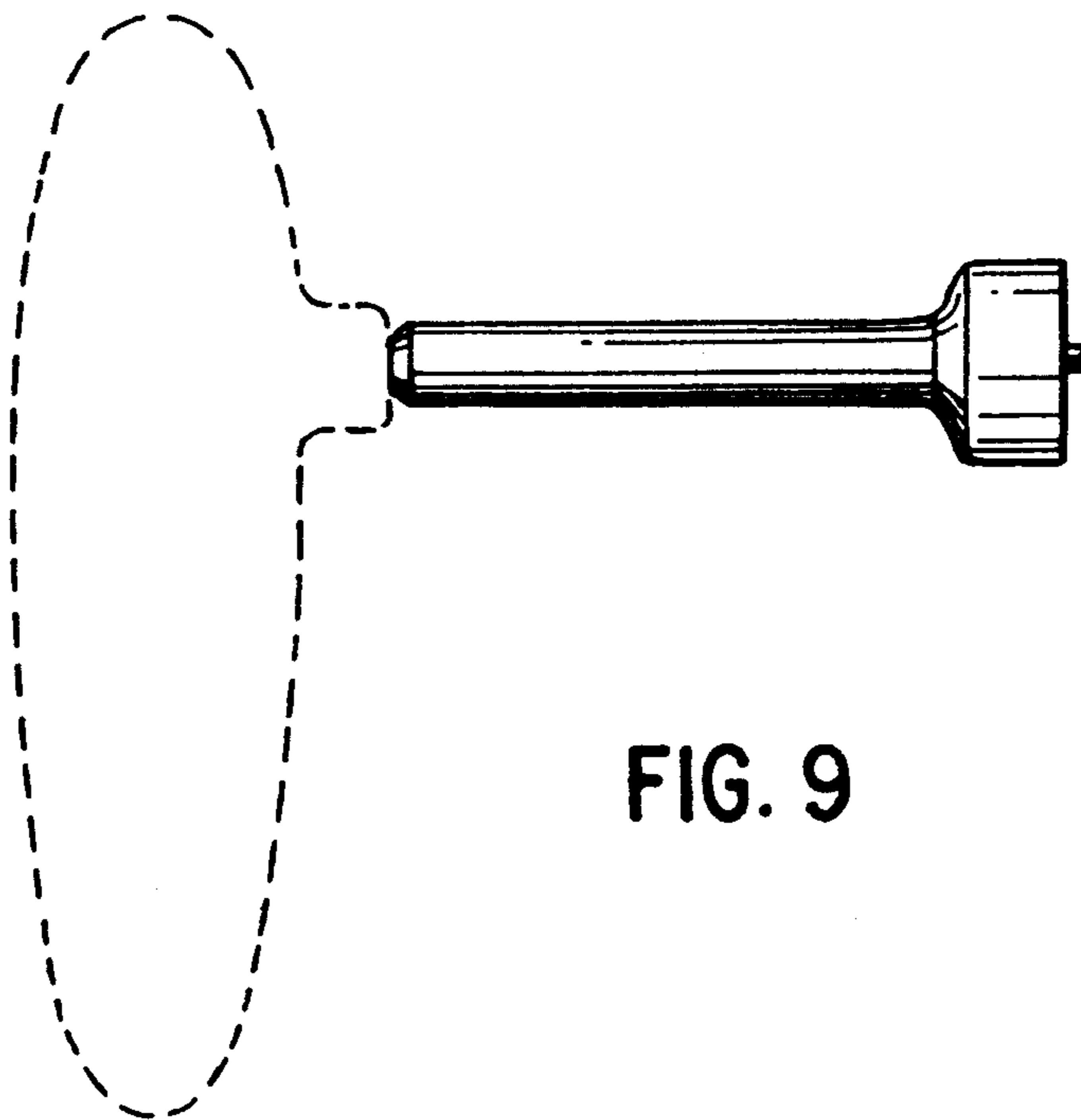


FIG. 9

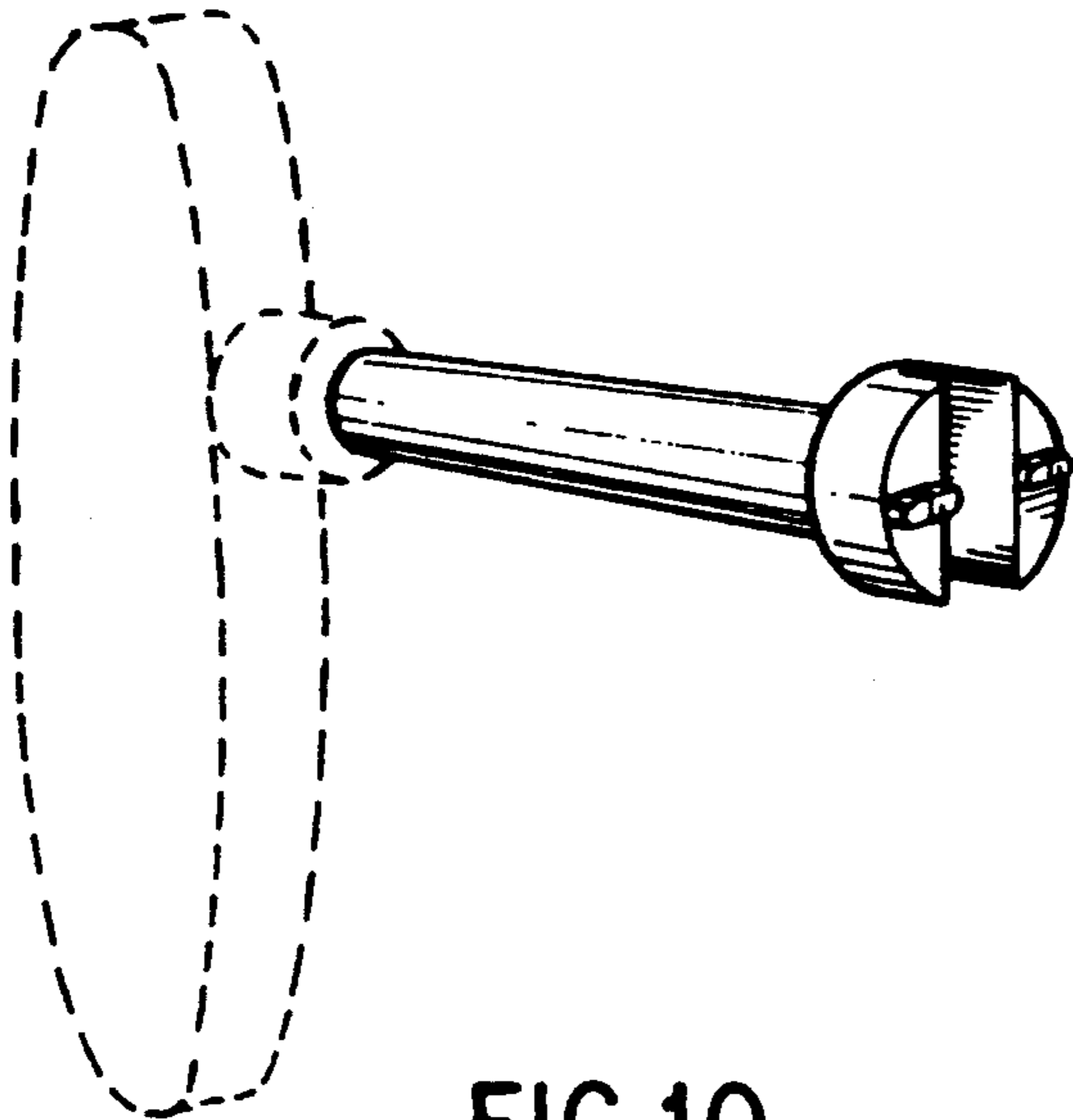


FIG. 10

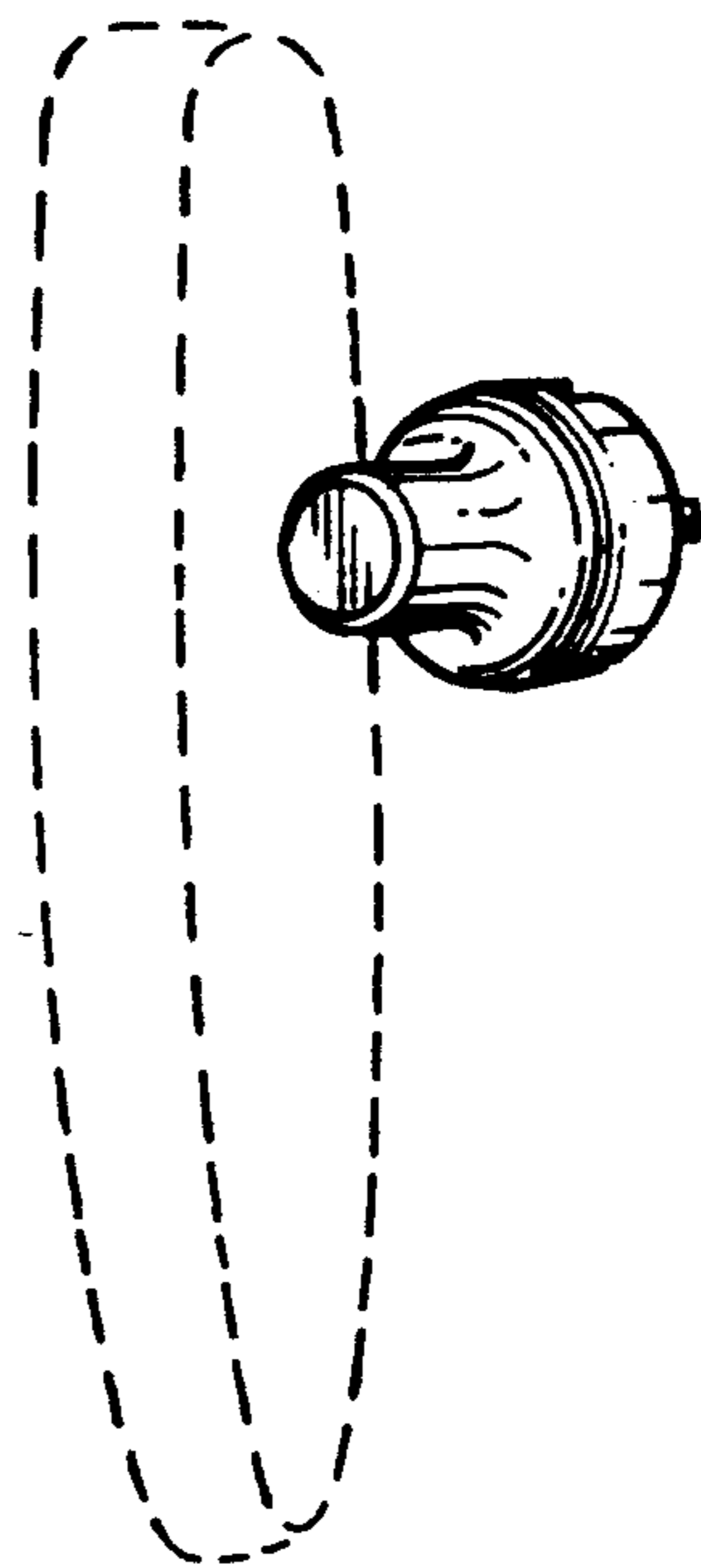


FIG. 11

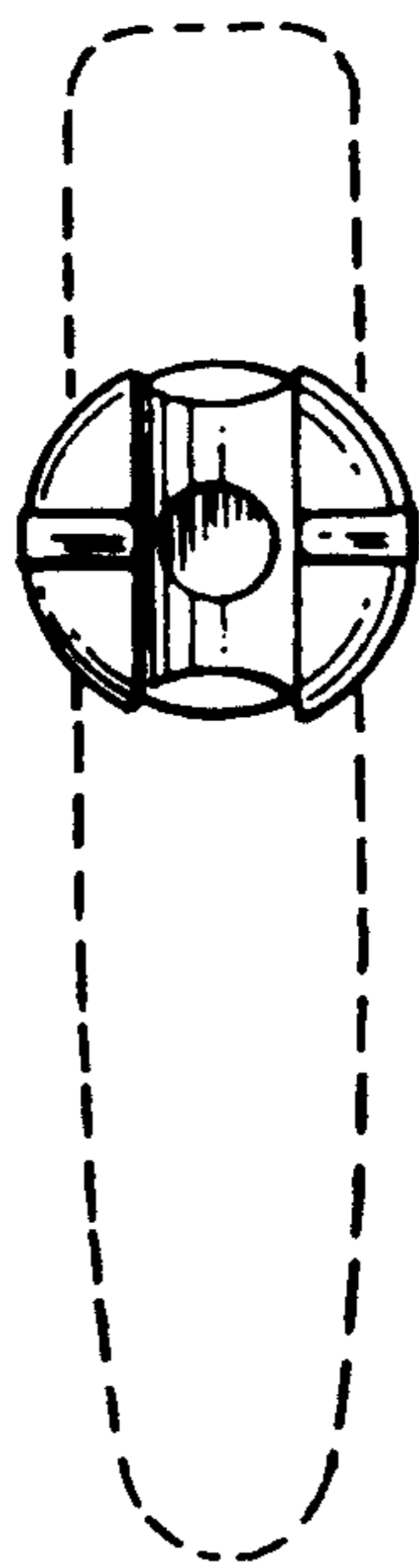


FIG. 12

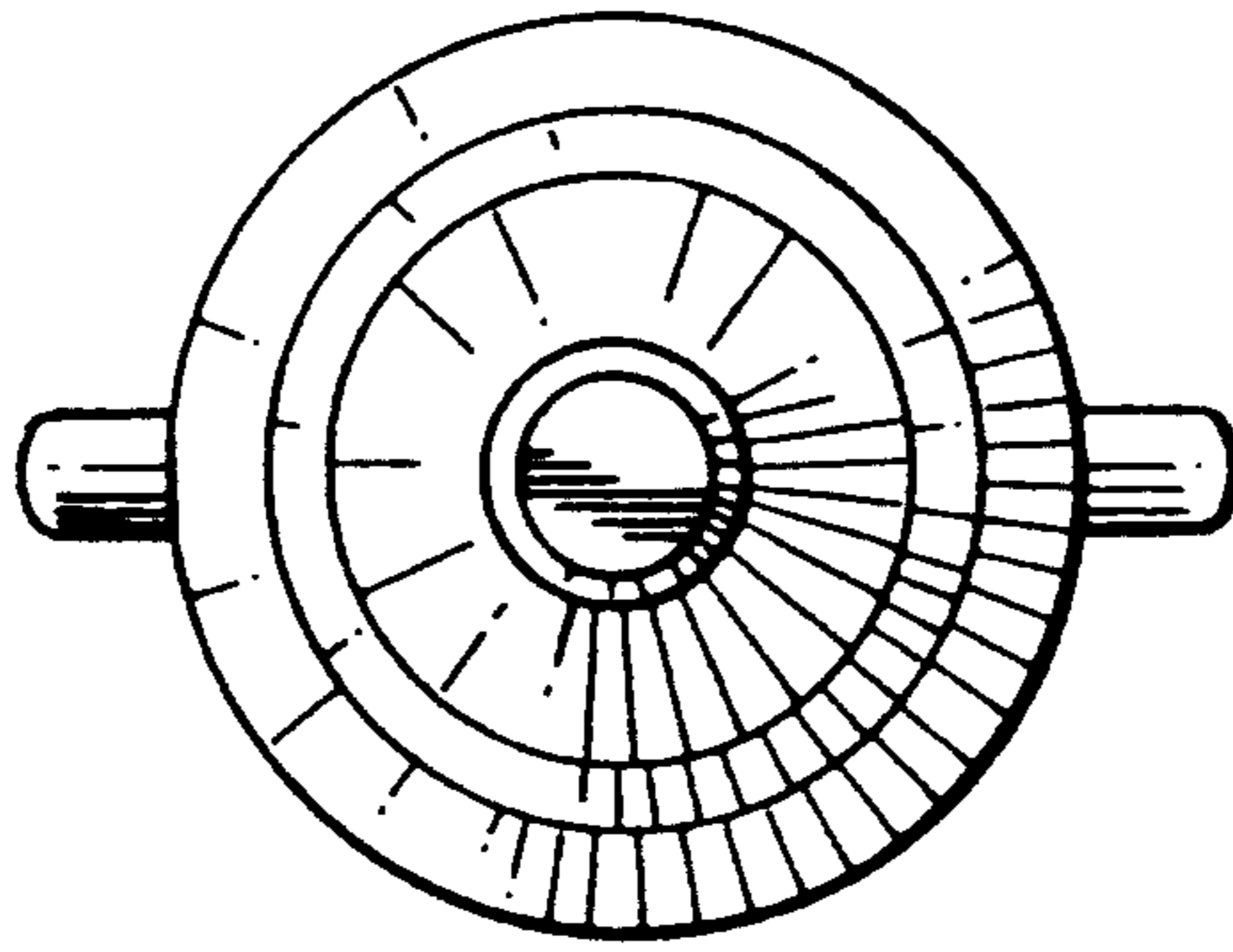


FIG. 13

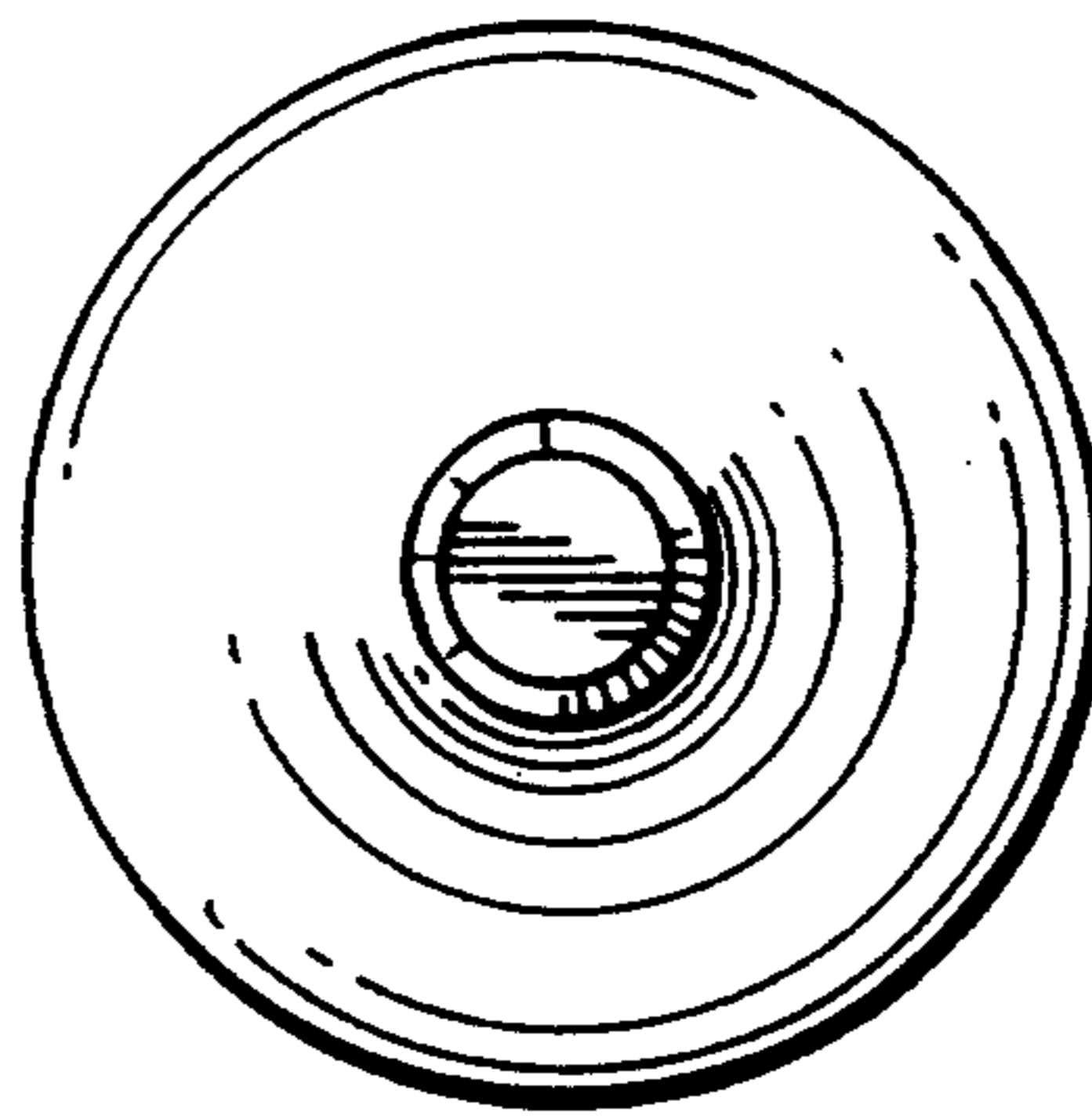


FIG. 14