



US00D343551S

United States Patent [19]

Guajardo

[11] Patent Number: **Des. 343,551**

[45] Date of Patent: **** Jan. 25, 1994**

[54] **FOOD PRESS**

[76] Inventor: **David M. Guajardo**, P.O. Box 815311, Dallas, Tex. 75381

[**] Term: **14 Years**

[21] Appl. No.: **927,949**

[22] Filed: **Aug. 11, 1992**

[52] U.S. Cl. **D7/672**

[58] Field of Search **D7/387, 672, 673, 665, D7/698, 699; 425/193-195, 298**

[56] **References Cited**

U.S. PATENT DOCUMENTS

- D. 206,758 1/1967 Radtke .
- 3,166,027 1/1965 Sprezal D7/672 X
- 3,322,074 5/1967 Malnory D7/672 X

4,521,174 6/1985 Kornhauser 425/374 X

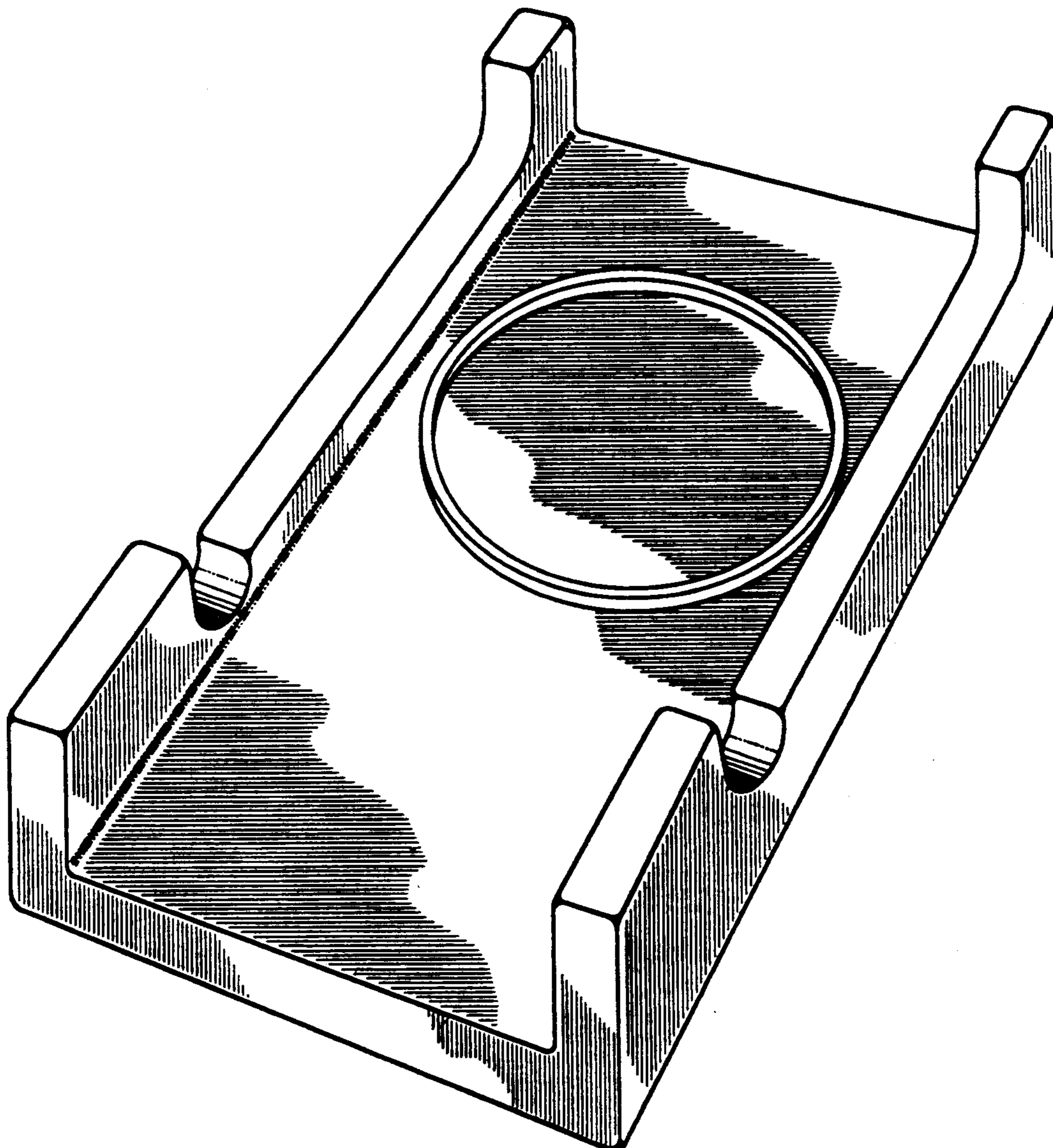
Primary Examiner—Terry A. Wallace
Attorney, Agent, or Firm—David L. Mossman

[57] **CLAIM**

The ornamental design for food press, as shown and described.

DESCRIPTION

FIG. 1 is a right front perspective view of a food press showing my new design;
FIG. 2 is a left side elevational view thereof;
FIG. 3 is a right side elevational view thereof;
FIG. 4 is a top plan view thereof;
FIG. 5 is a bottom plan view thereof;
FIG. 6 is a front elevational view thereof; and,
FIG. 7 is a back elevational view thereof.



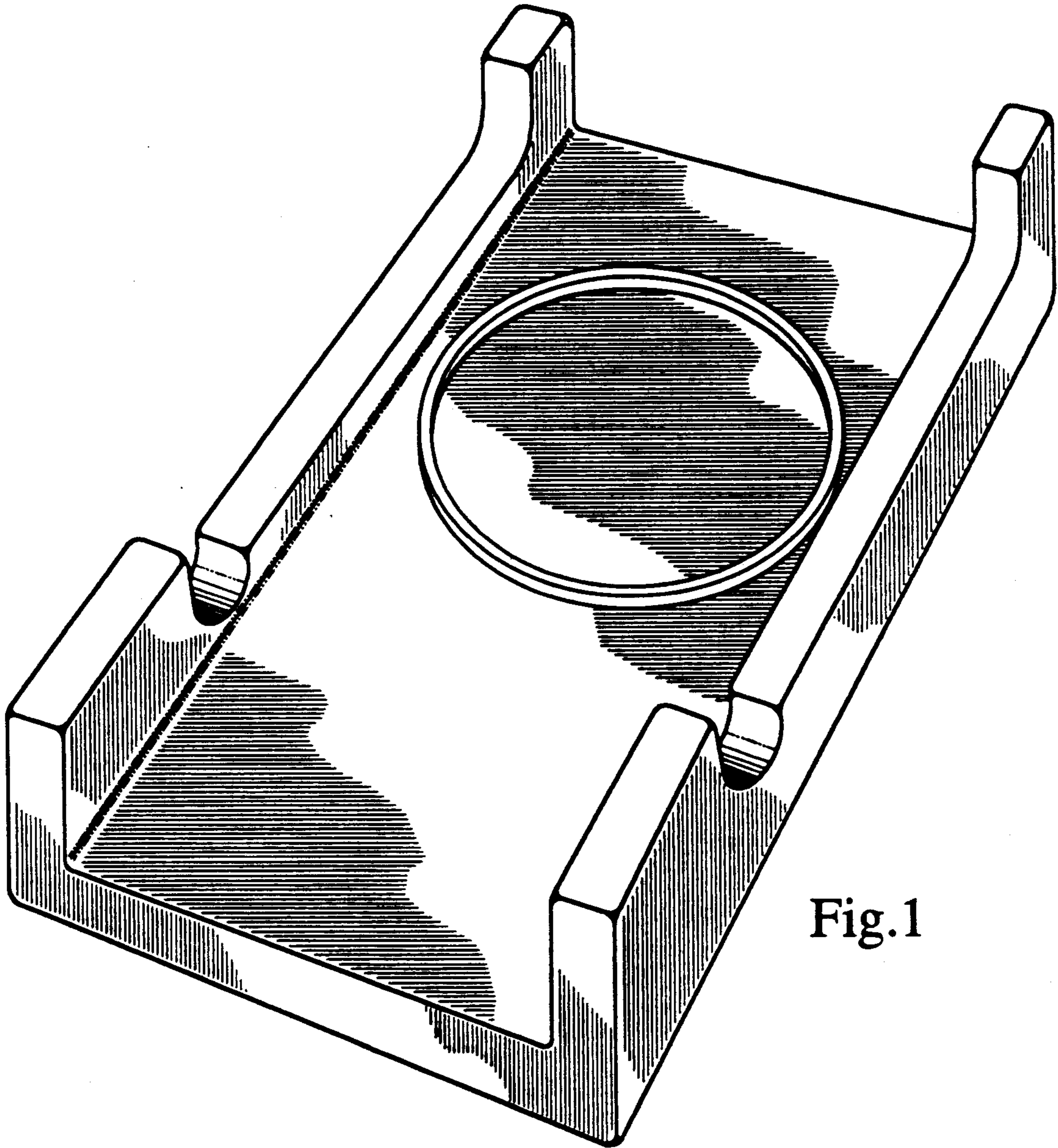


Fig. 1

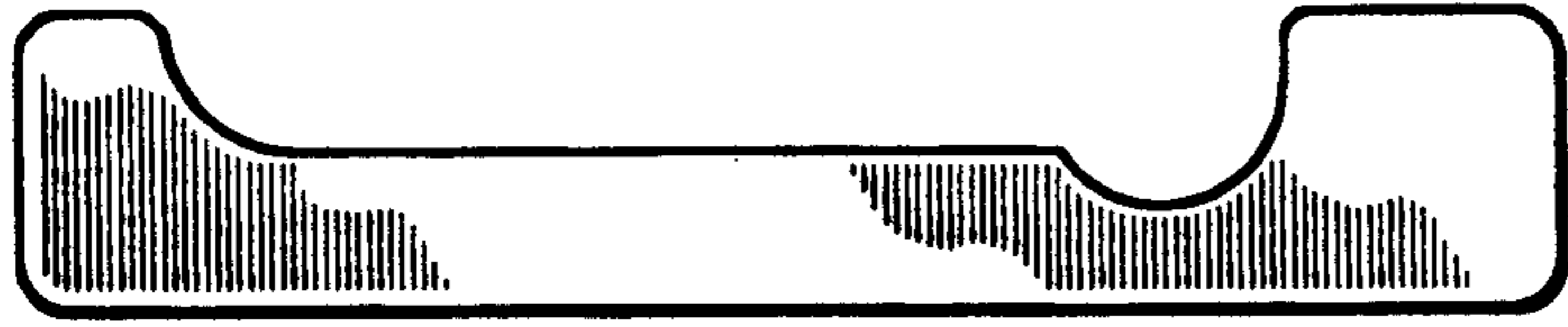


Fig. 2

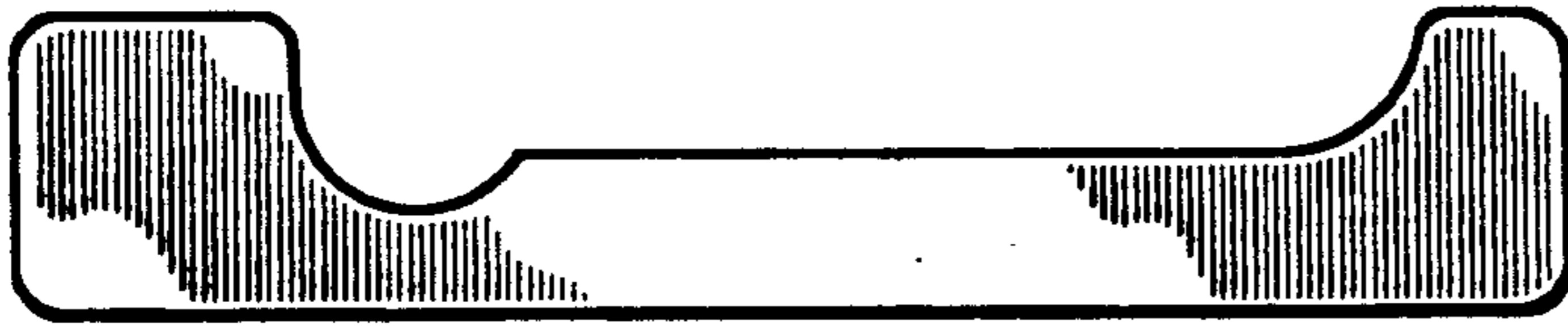


Fig. 3

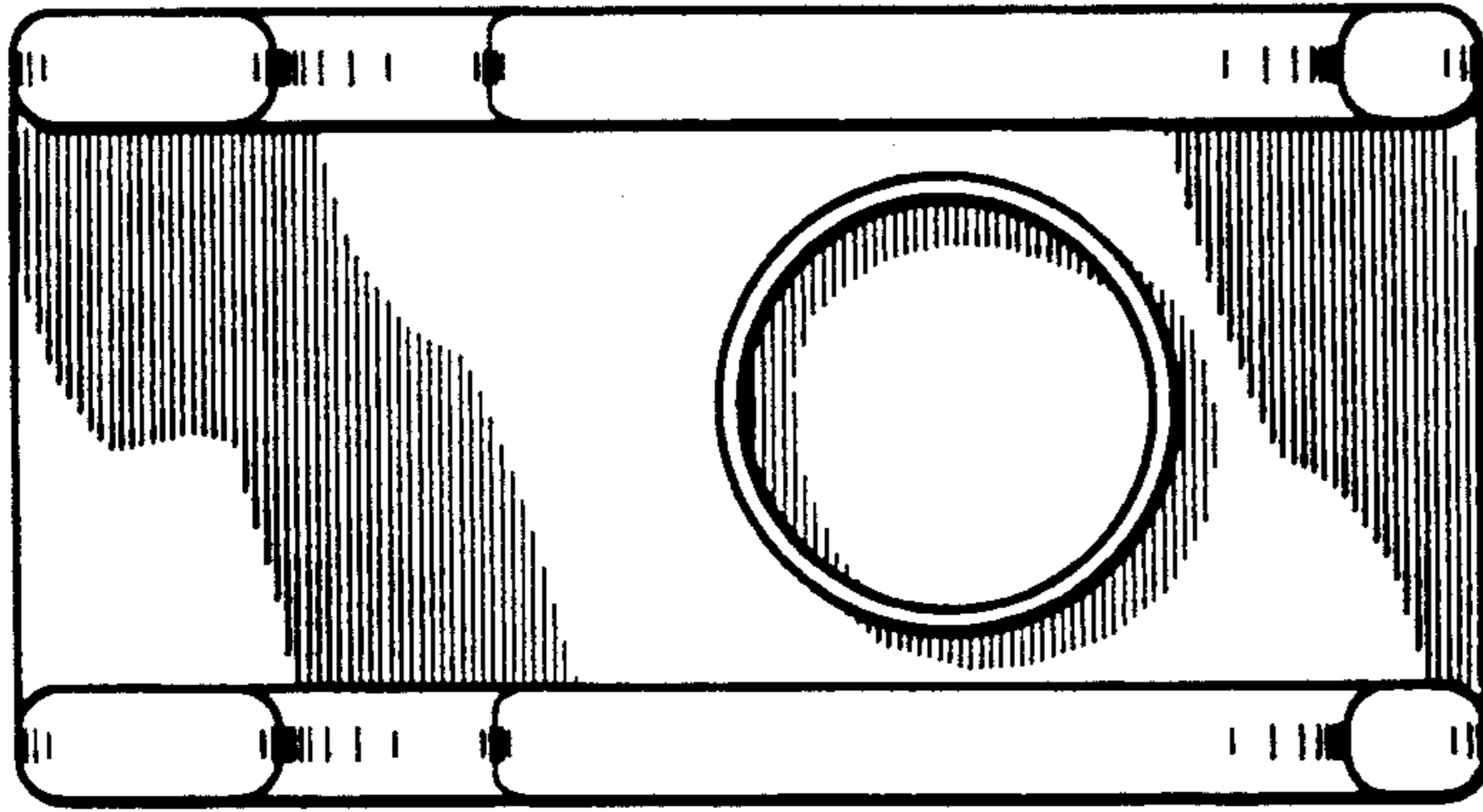


Fig. 4



Fig. 6

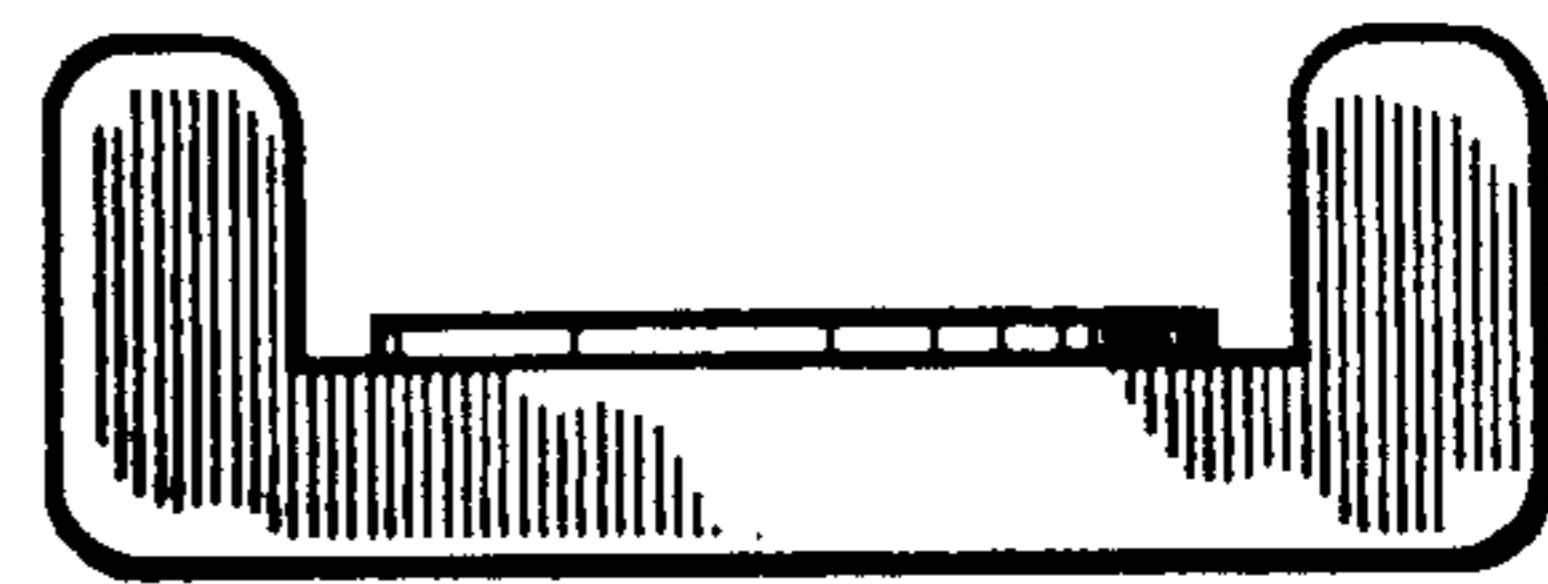


Fig. 7

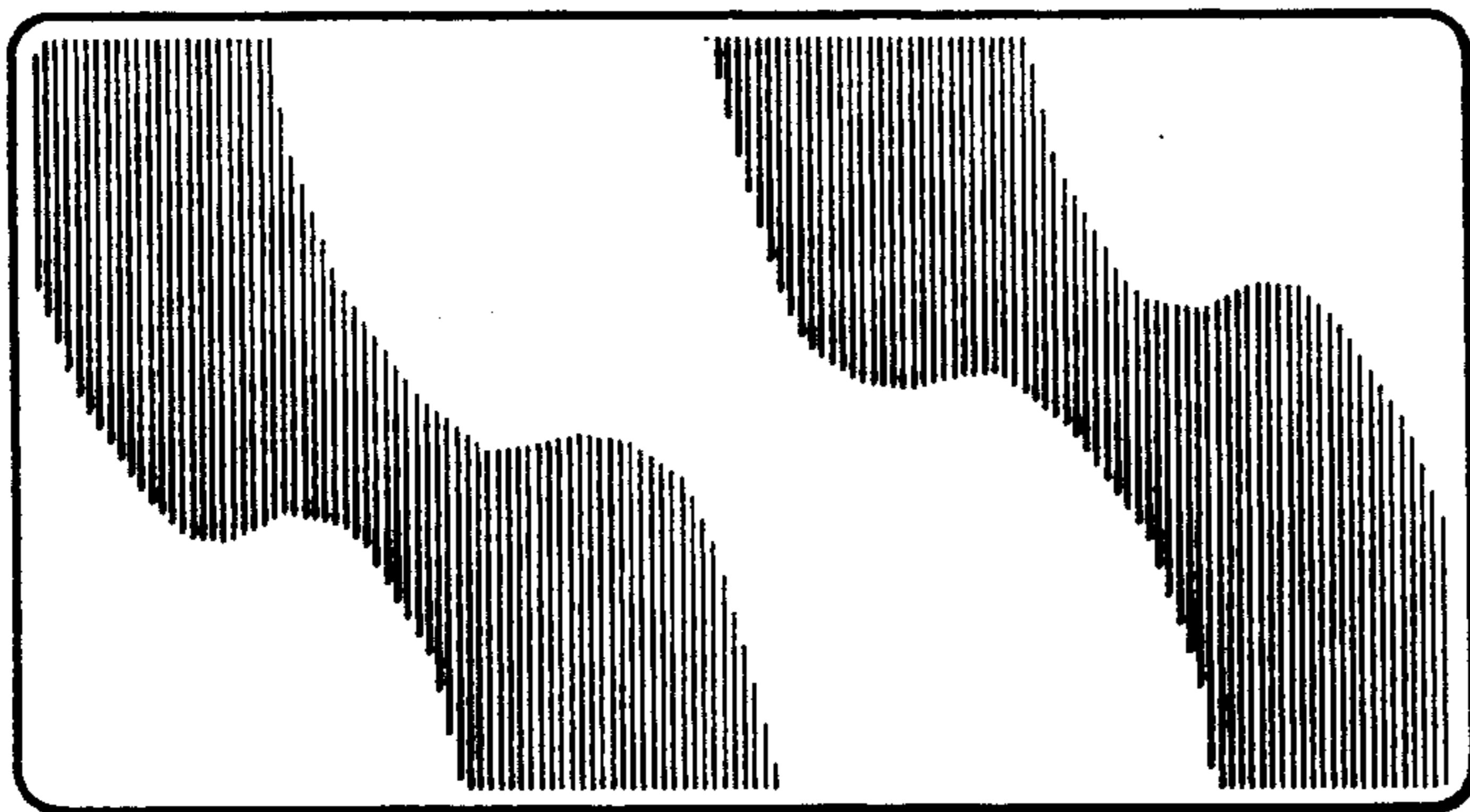


Fig. 5