



US00D343547S

# United States Patent [19]

[11] Patent Number: **Des. 343,547**

Levin

[45] Date of Patent: **\*\* Jan. 25, 1994**

[54] **BLENDER BASE**

D. 290,217 6/1987 Levin ..... D7/378 X  
D. 337,240 7/1993 Levin ..... D7/386

[75] Inventor: **Monte Levin, New York, N.Y.**

*Primary Examiner*—Alan P. Douglas  
*Assistant Examiner*—Caron D. Veynar

[73] Assignee: **The Singer Company NV, Curacao, Netherlands Antilles**

[57] **CLAIM**

[\*\*] Term: **14 Years**

The ornamental design for a blender base, as shown and described.

[21] Appl. No.: **1,225**

**DESCRIPTION**

[22] Filed: **Nov. 9, 1992**

[52] U.S. Cl. .... **D7/386; D7/412**

FIG. 1 is a perspective view of a blender base showing my new design, the broken line showing of a blender container is environmental only and forms no part of the claimed design;

[58] Field of Search ..... **D7/376-378, D7/381-384, 386, 412; 366/129, 130, 197, 199, 204, 205, 314**

FIG. 2 is a front elevational view thereof;

FIG. 3 is a top elevational view thereof;

FIG. 4 is a bottom plan view thereof;

FIG. 5 is a right side elevational view thereof, the left side being a mirror image thereof; and,

FIG. 6 is rear elevational view thereof.

[56] **References Cited**

**U.S. PATENT DOCUMENTS**

D. 215,782 10/1969 Steinkamp ..... D7/378 X  
D. 235,608 7/1975 Yoshida et al. .... D7/378

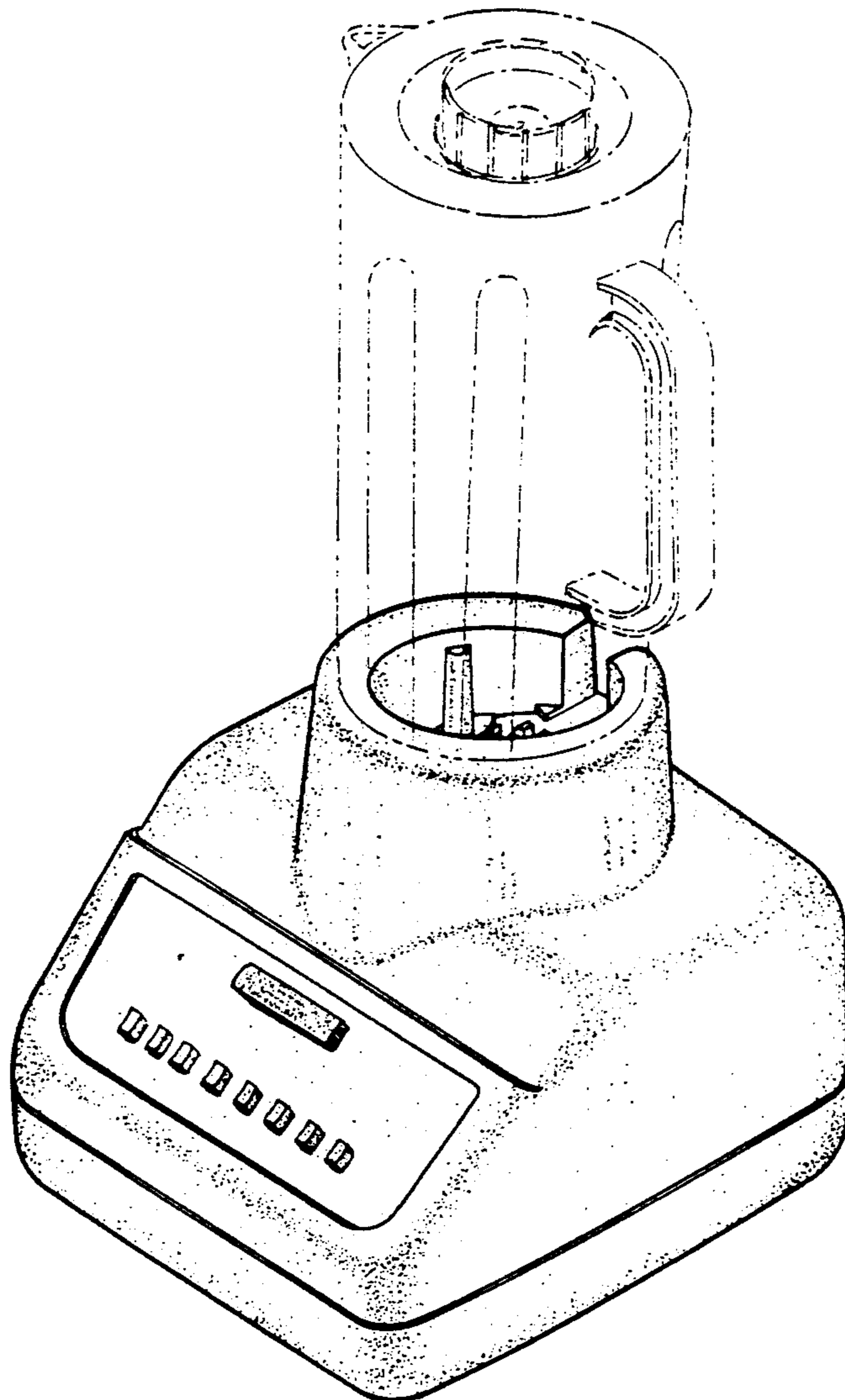


FIG. 1

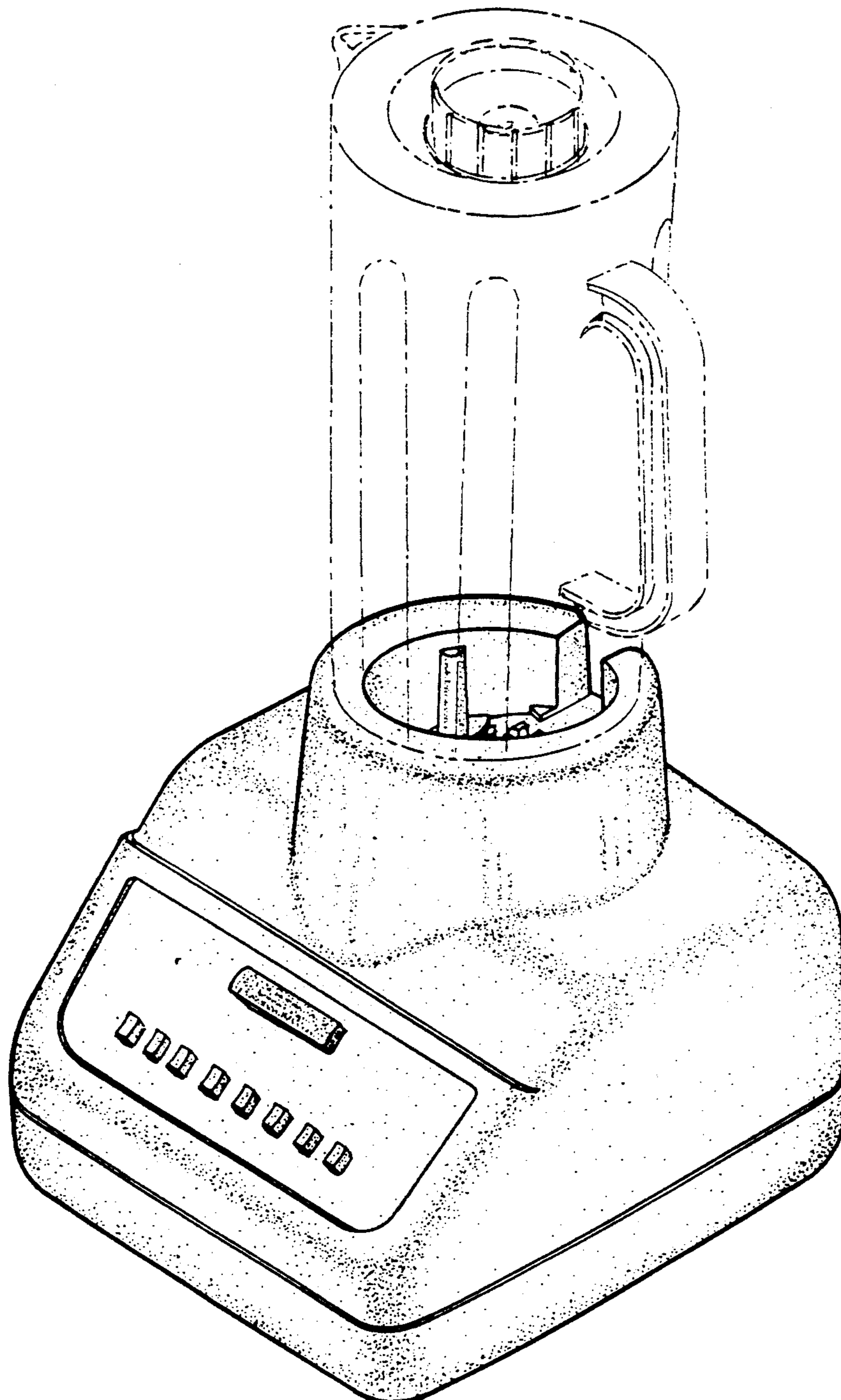


FIG. 2

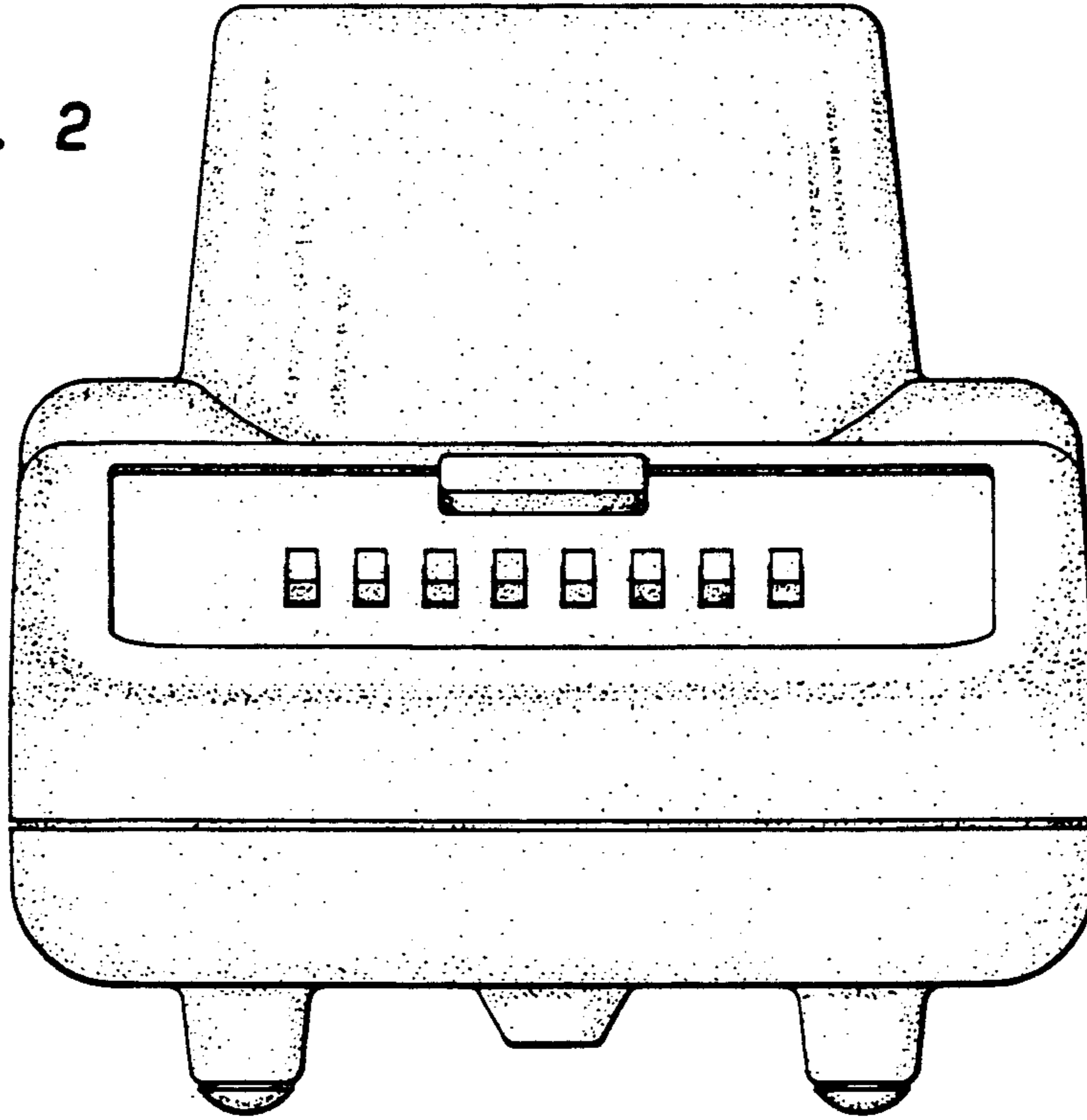


FIG. 3

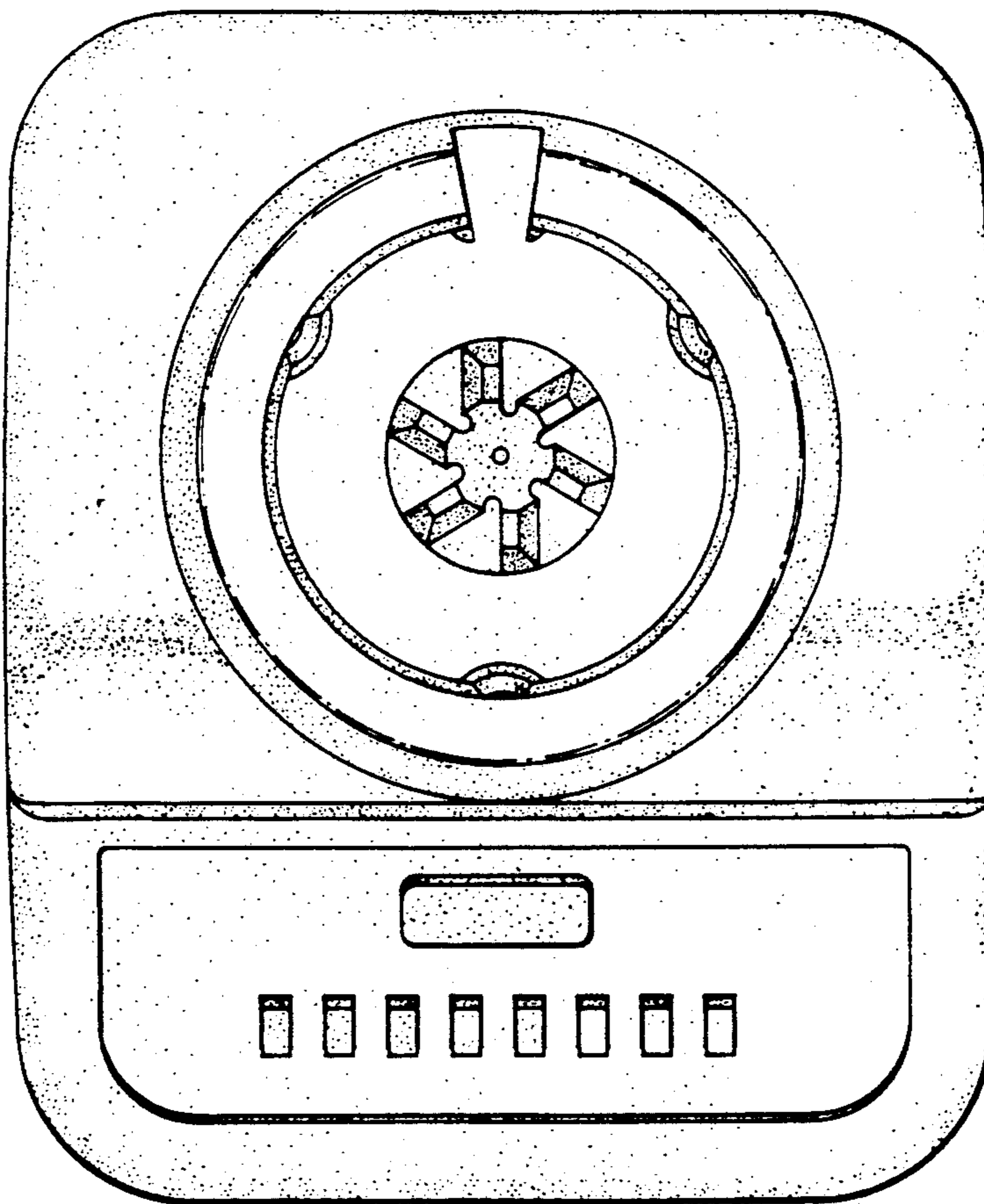




FIG. 4

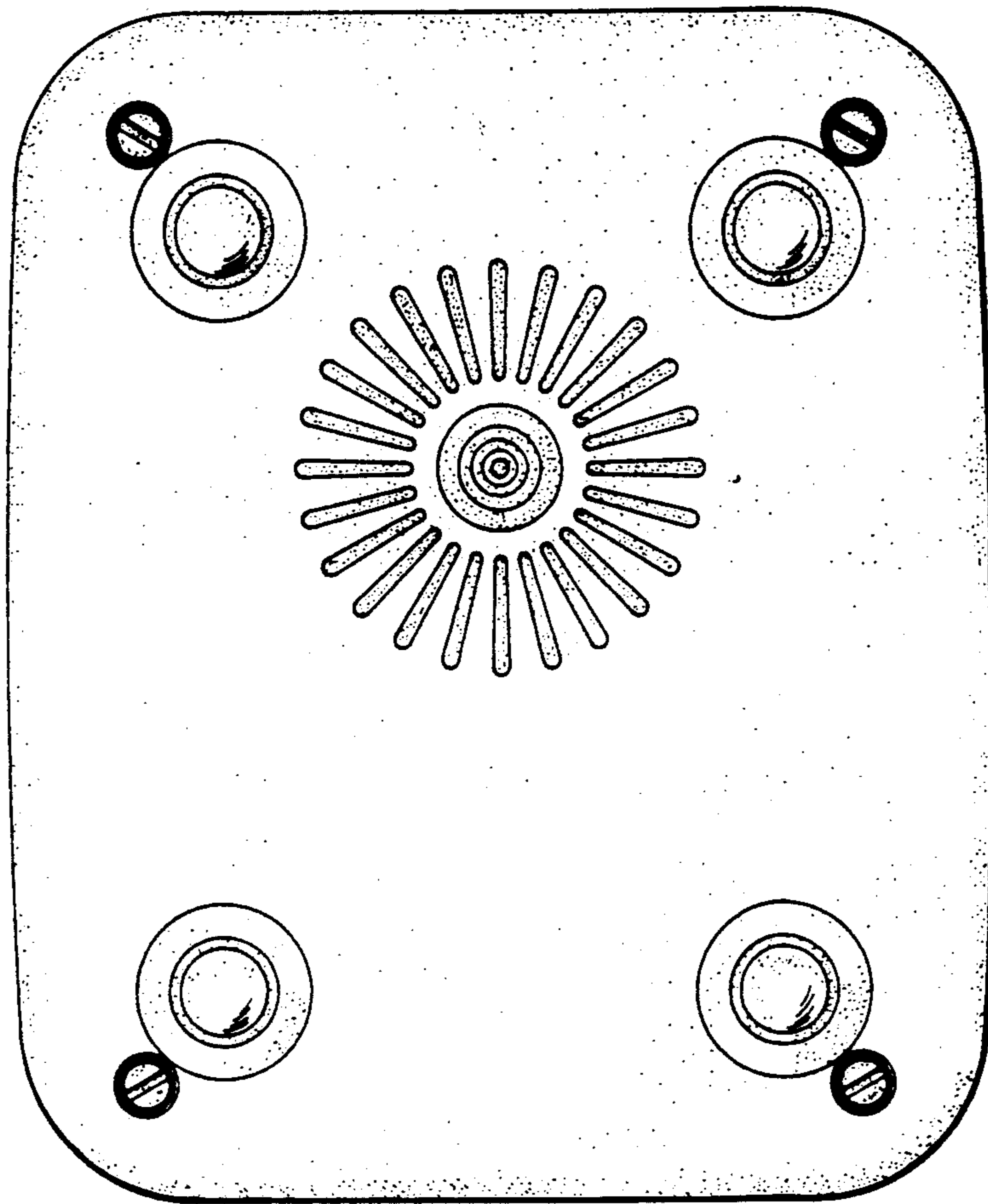


FIG. 5

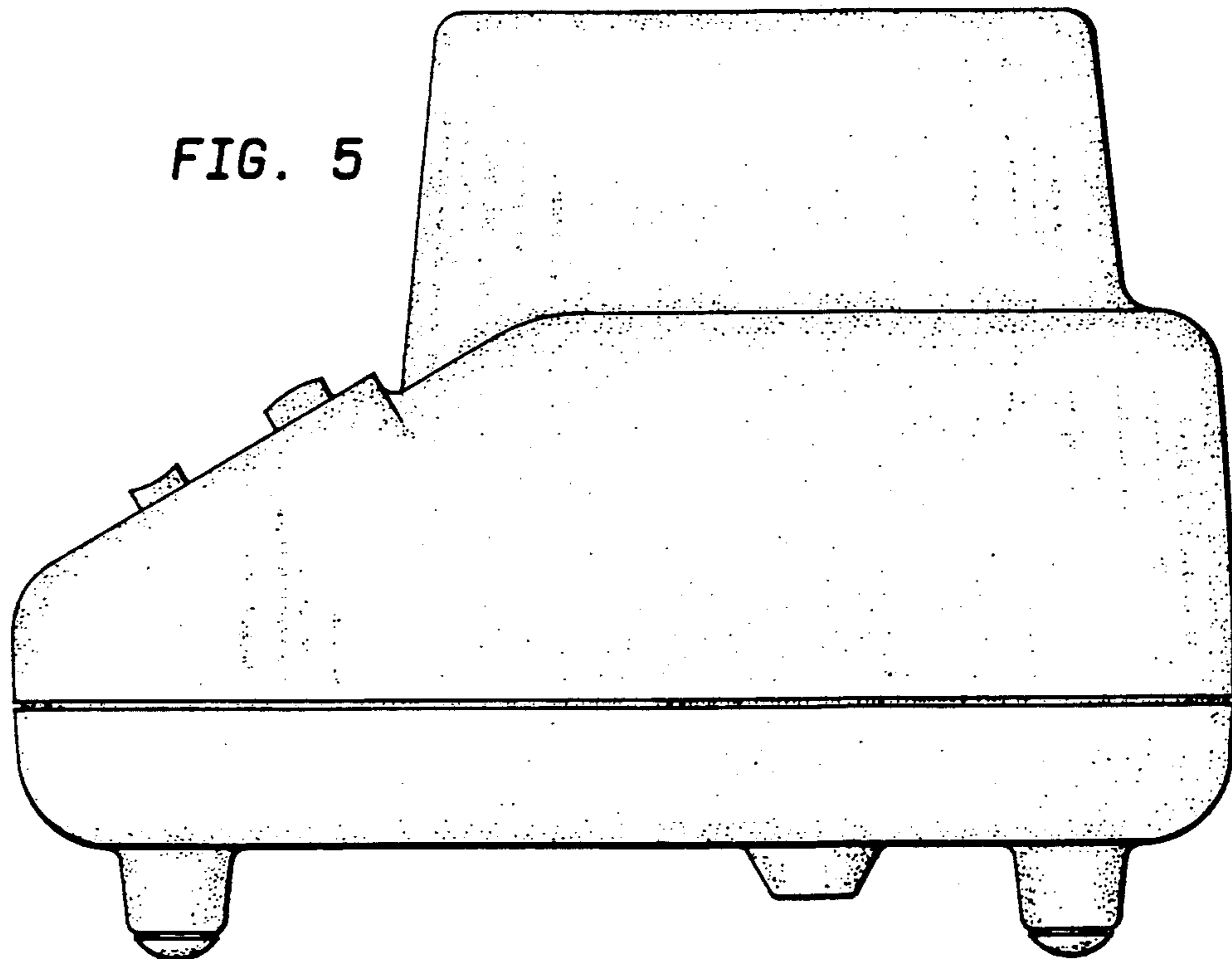


FIG. 6

