



US00D343546S

United States Patent [19]

[11] Patent Number: **Des. 343,546**

Zimmerman

[45] Date of Patent: **** Jan. 25, 1994**

[54] **CREAMER**

[75] Inventor: **Larry G. Zimmerman, Champaign, Ill.**

[73] Assignee: **Dart Industries Inc., Deerfield, Ill.**

[**] Term: **14 Years**

[21] Appl. No.: **740,196**

[22] Filed: **Aug. 1, 1991**

[52] U.S. Cl. **D7/319; D7/318; D7/316**

[58] Field of Search **D7/317, 320, 623, 622, D7/619, 322, 300, 301, 302, 303, 312, 316, 317, 318, 321, 507, 511, 510, 533, 534, 536, 515, 543, 545, 548; 220/771, 711, 714, 770, 772; D9/528; 222/465.1, 470, 472, 475**

[56] **References Cited**

U.S. PATENT DOCUMENTS

D. 38,627	6/1907	Slater	D7/319
D. 155,304	9/1949	McKay	D7/534
D. 198,805	8/1964	Carroll et al.	.	
D. 205,781	9/1966	Valle et al.	.	
D. 213,577	3/1969	Douglas	.	
D. 255,531	6/1980	Daenen et al.	D7/312 X
D. 258,796	4/1981	Paulides	D7/534 X
D. 259,011	4/1981	Daenen	D7/318
D. 262,682	1/1987	Marin	D7/318

D. 272,225	1/1984	De Coster	D7/319
D. 287,325	12/1986	Schmidt	D7/318 X
D. 302,926	8/1989	Beeren	D7/317
D. 303,904	10/1989	Wolfenden	D7/317
D. 306,547	3/1970	Wolfenden	D7/319 X
D. 312,745	12/1990	Daenen et al.	D7/319 X
4,655,373	4/1987	Essen	.	

OTHER PUBLICATIONS.

Modern Plastics Styrene Pitcher by Rogers Jun. 1954.

Primary Examiner—Nelson C. Holtje

Assistant Examiner—M. N. Pandozzi

Attorney, Agent, or Firm—John A. Doninger

[57] **CLAIM**

The ornamental design for a creamer, as shown.

DESCRIPTION

FIG. 1 is a perspective view of a creamer showing the new design;

FIG. 2 is a top plan view thereof;

FIG. 3 is a bottom plan view thereof;

FIG. 4 is a side view thereof;

FIG. 5 is a side view of the opposite side thereof;

FIG. 6 is a view of the handle end thereof;

FIG. 7 is a view of the spout end thereof;

FIG. 8 is a cross-section view thereof taken on the plane of line 8—8 in FIG. 2; and,

FIG. 9 is a cross-section view thereof taken on the plane of line 9—9 in FIG. 2.

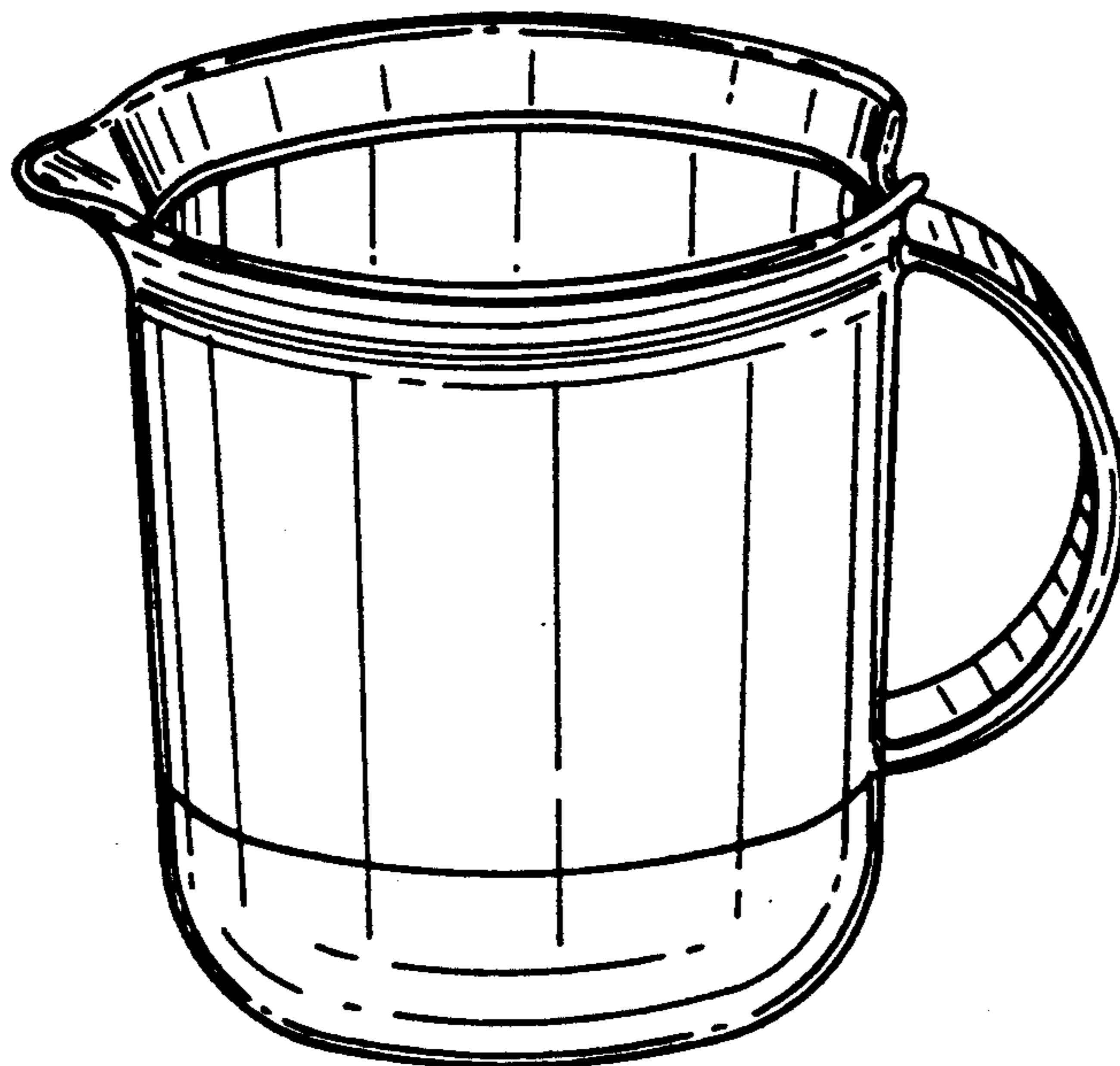


FIG. 1

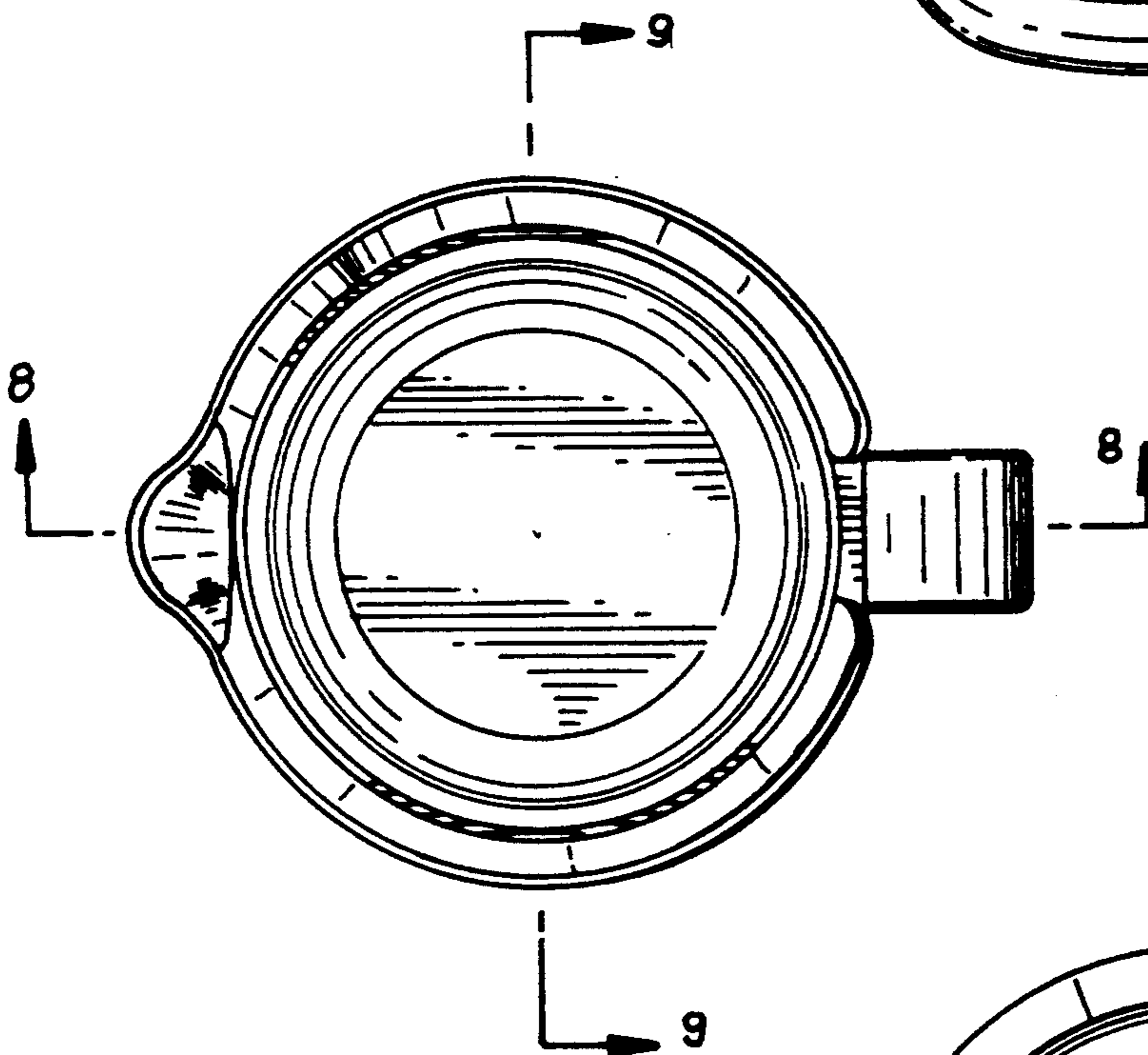
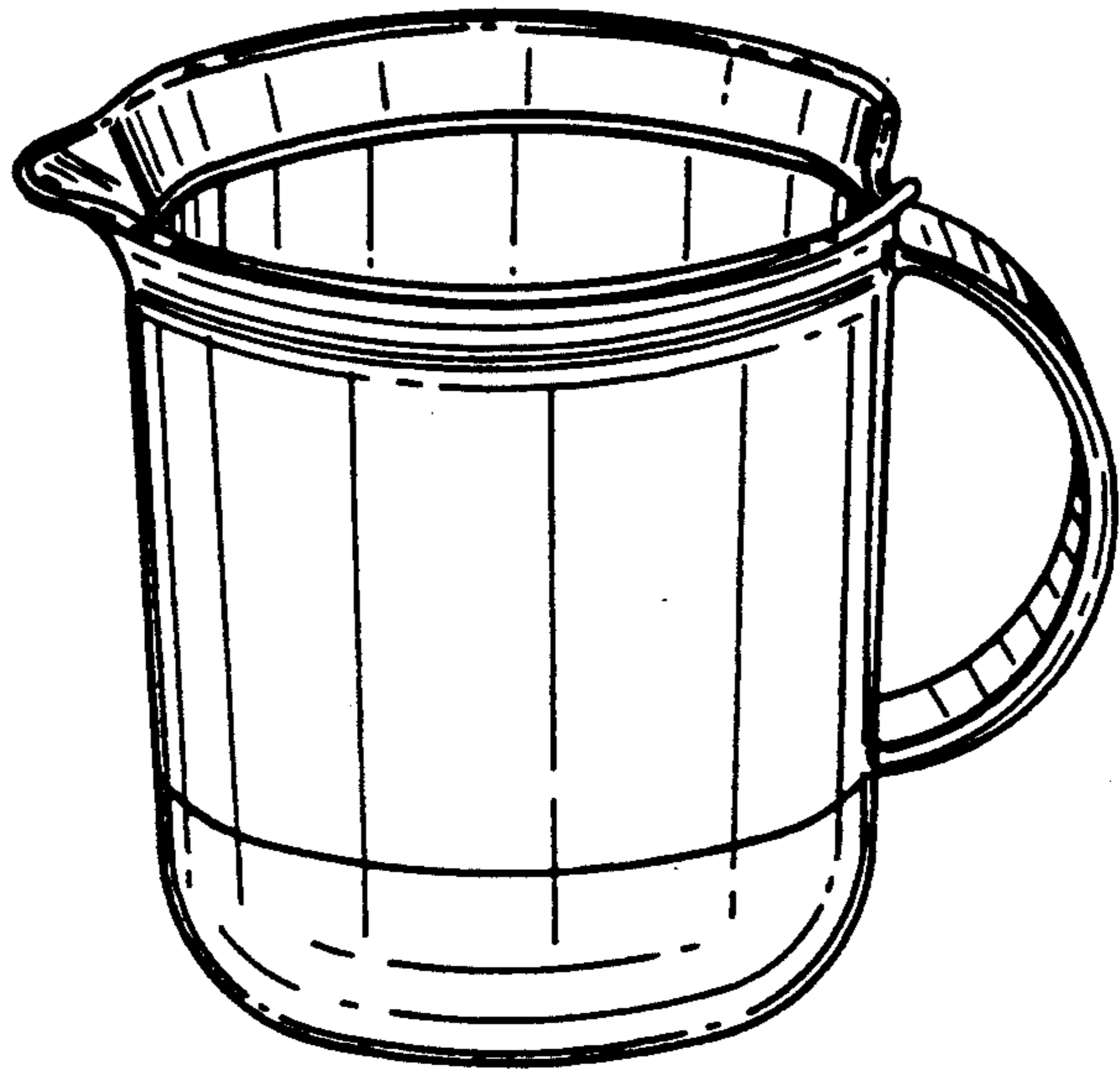
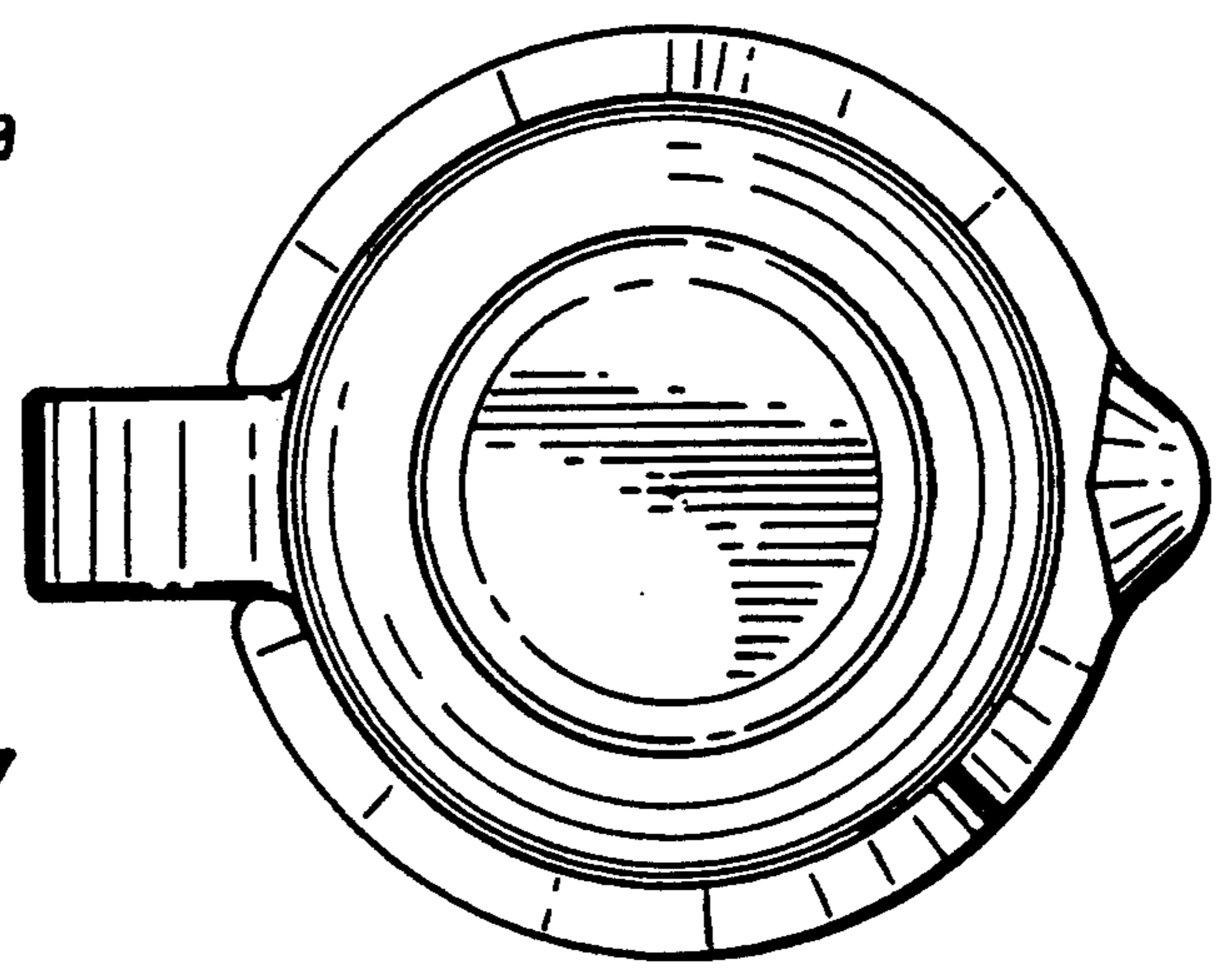


FIG. 2

FIG. 3



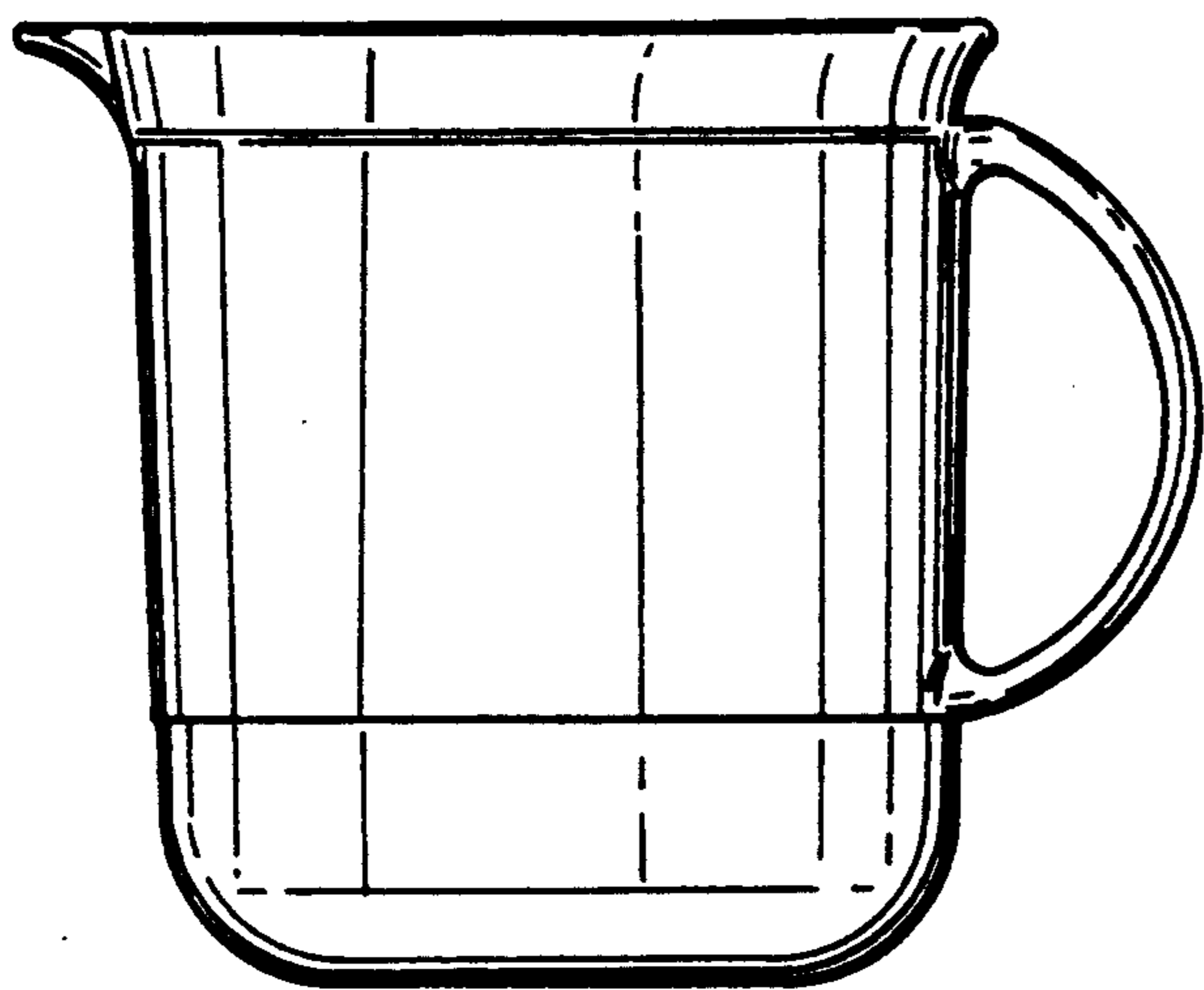


FIG. 4

FIG. 5

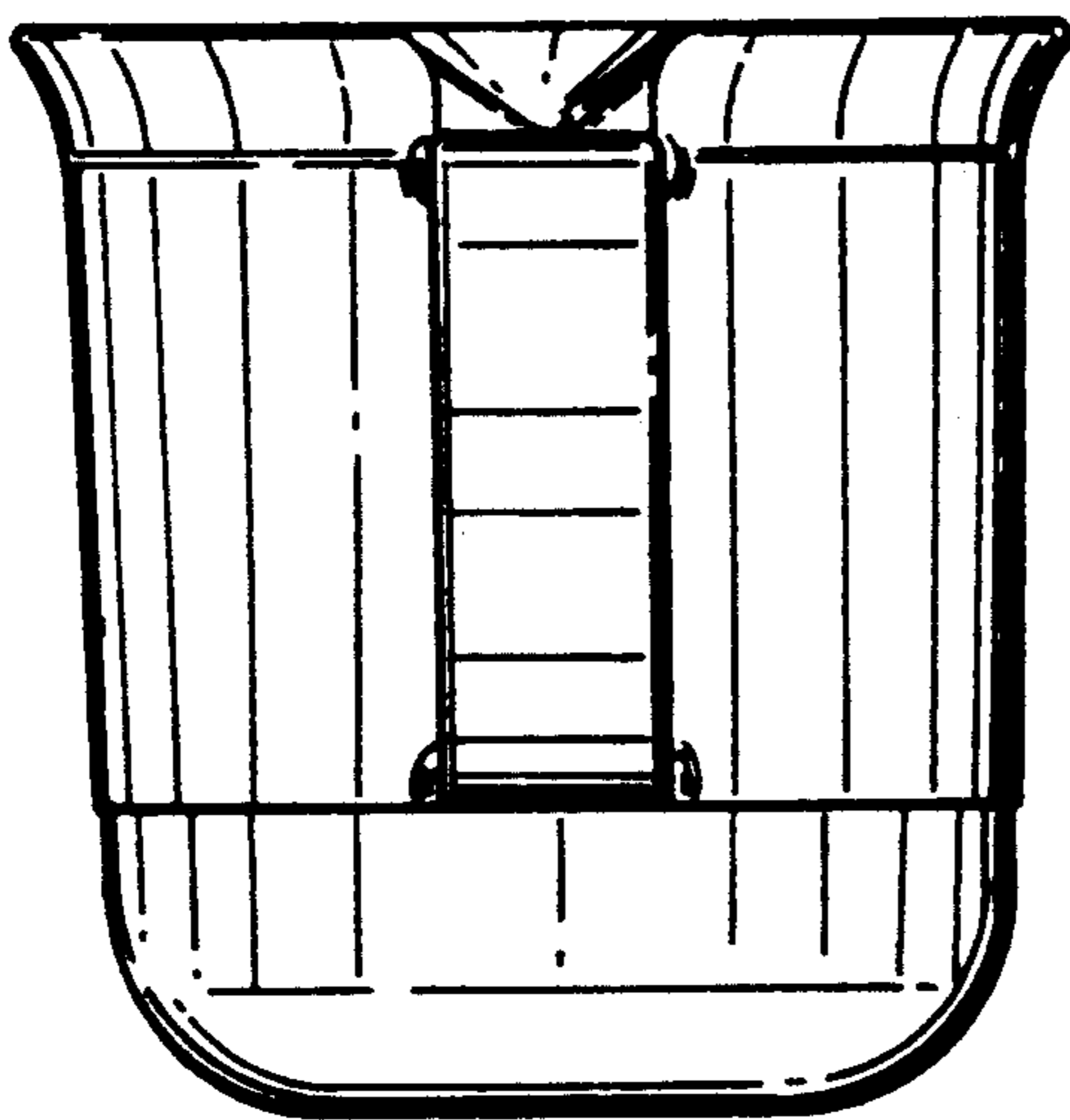
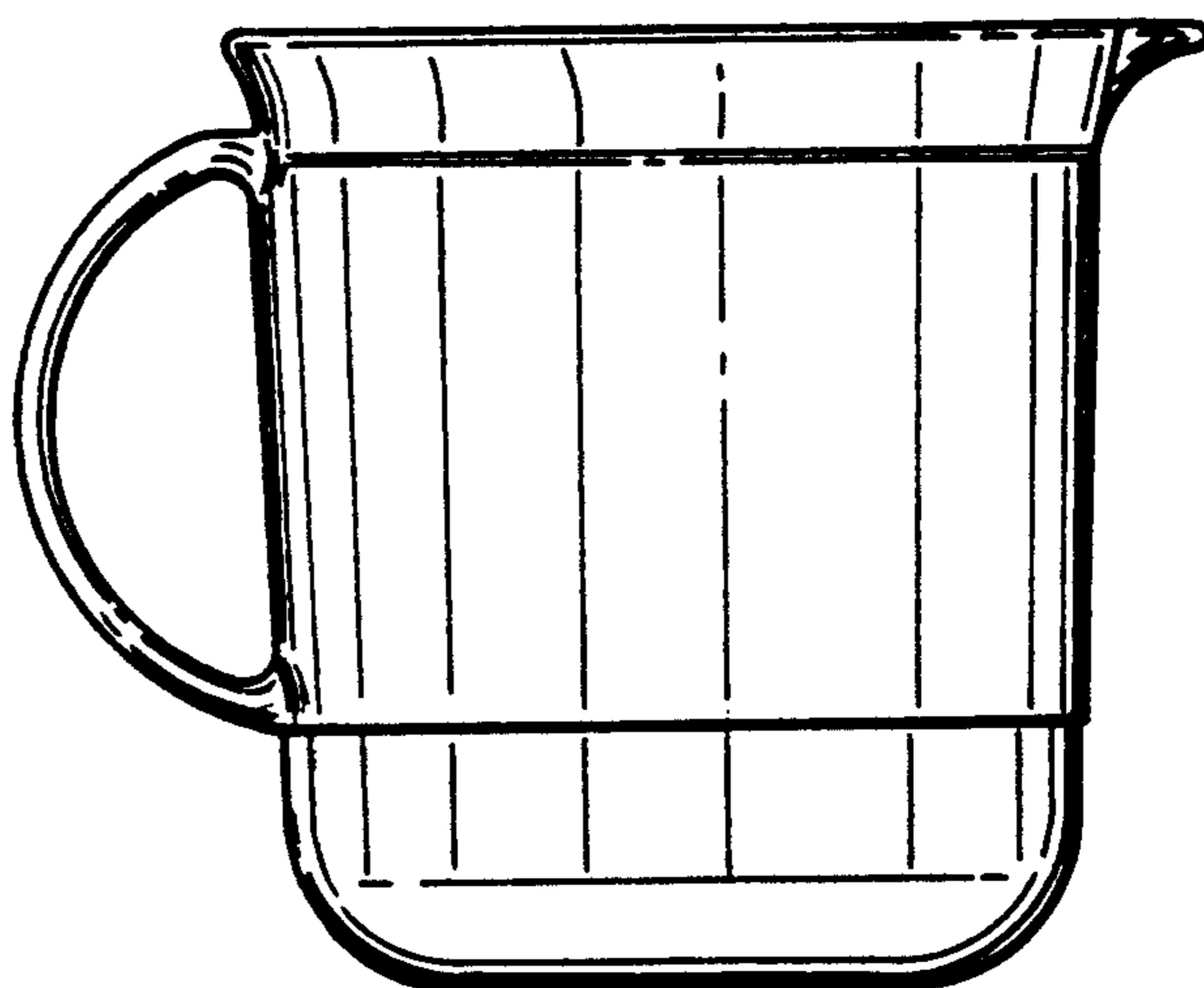


FIG. 6

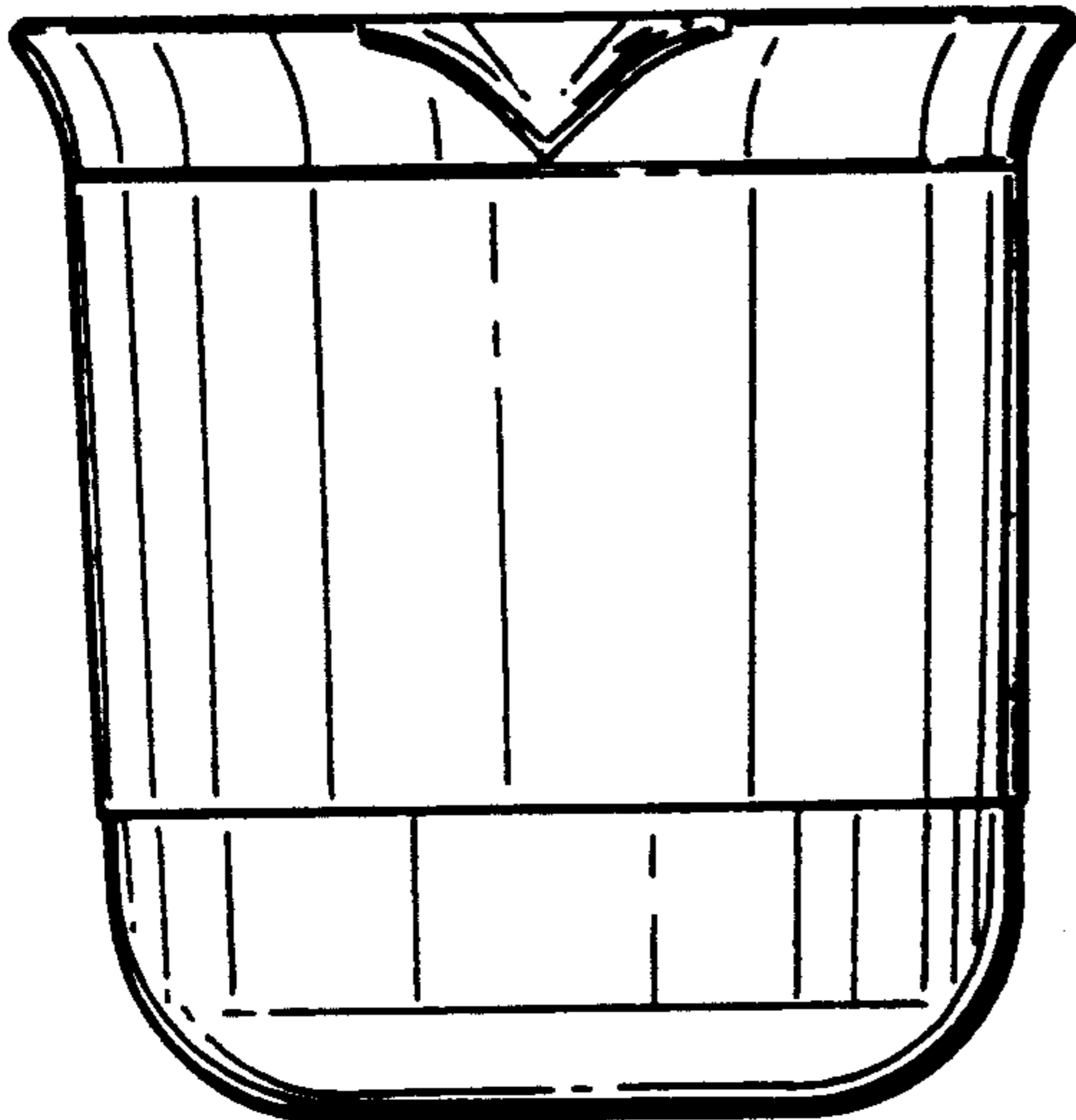


FIG. 7

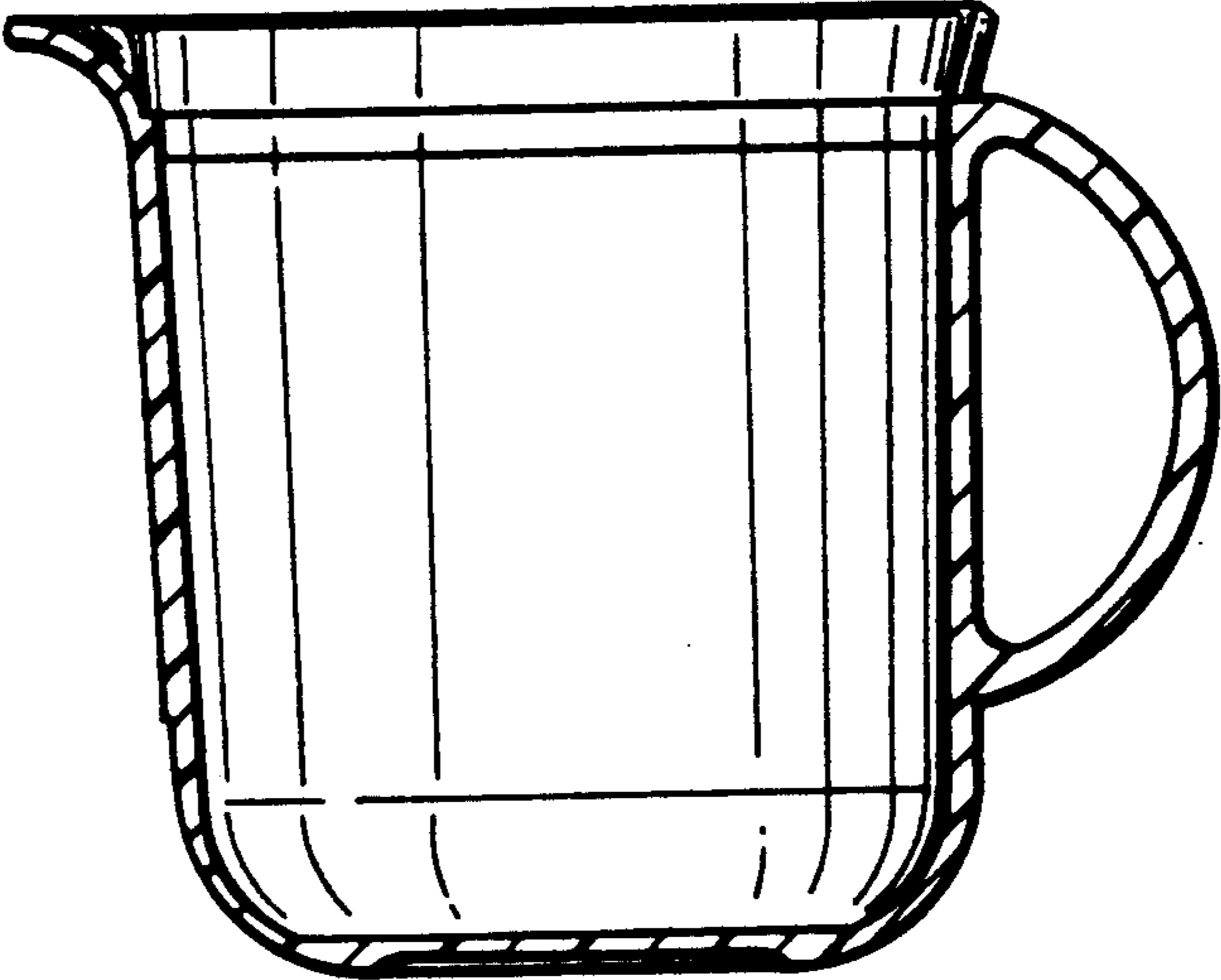


FIG. 8

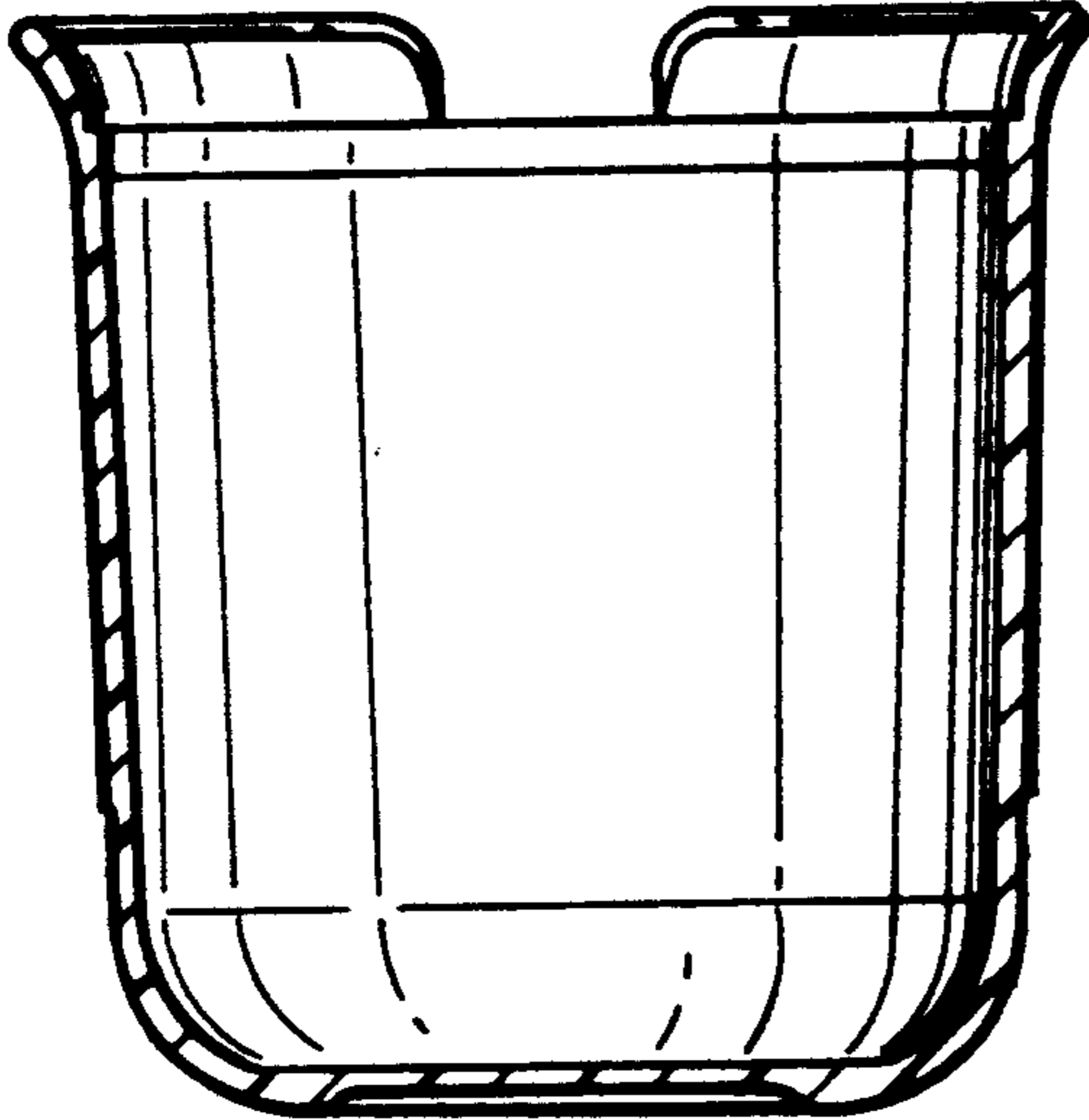


FIG. 9